



358	ABSOLU
200	ALGORITMO
186	ALTOP
98	ANDROMEDA
158	AYRTON
184	BOLERO
188	CHOCOLATE
384	COVER
382	ELIO
320	EOS SYSTEM
46	ERMES
306	ESPRIT
332	FLAP
34	FOCAL
30	IODO
58	JAVA
72	JAVA 172 SYSTEM
272	KALIFA
264	KALIFA II
398	KANJI
372	KAO
152	L.D. SYSTEM
302	LOST
302	LOST DUO
164	LUCERI
178	LUCERI KADRO
162	LUCERI LED
314	MEGAN SYSTEM
52	MINI FLAP SPOT
324	MINI FLAP SYSTEM
262	MINISURF
350	MIX SYSTEM
364	MOUETTE
370	MOUETTE MINI
288	NOTA BENE
76	NOTHING 172 SYSTEM
236	NOTHING 86 SYSTEM
94	NOTHING CEILING
80	NOTHING RECESSED
390	NULLA
344	ORION
38	OTO
124	OUREA
26	PAD
8	PICTO
400	PRADO
338	RA SYSTEM
136	RASTAF
402	RIVOLI
180	SOLAR
396	SQUARE
50	STARSHIP
132	STICK
143	SUPERTOP
252	SURF
110	TAGORA
296	TALO SYSTEM
140	TOPLITE
56	TRACKS
392	TRAFFIC SYSTEM
356	TWIST
146	VULCANIA
2	TYPOLOGIES
4	LIGHTING SOLUTIONS
408	INTERACTIVE-DALI TECHNOLOGY
414	PHOTOMETRIC DATA
410	LIGHT SOURCES
440	GENERAL TERMINOLOGY
442	CODES INDEX

# TYOLOGIES

## PROJECTORS



PICTO 20



PAD 28



IODO 33



OTO 43



FOCAL 36



ERMES 48



STARSHIP 51



MINI FLAP SPOT 54



TRACKS 57

## SPOTLIGHTING LUMINAIRES



NOTHING CEILING 97



NOTHING REC. 84



NOTHING 172 SYST. 78



JAVA 62



JAVA 172 SYST. 74



ANDROMEDA 101



TAGORA REC. 121



OUREA REC. 131



STICK 135



RASTAF 138



TOPLITE 142



VULCANIA 149



L.D. SYSTEM 155



AYRTON 160

## LED AND FLUORESCENT RECESSED LUMINAIRES



LUCERI LED 163



ALGORITMO REC. 211



NOTHING REC. 89



JAVA 70



VULCANIA REC. 149



L.D. SYSTEM 157



LUCERI 169



LUCERI KADRO 179



SOLAR 183



BOLERO 185



ALTOP 187



KALIFA 285

## CEILING LUMINAIRES



TAGORA CEILING 114



OUREA CEILING 129



NOTHING CEILING 97



ANDROMEDA 104



VULCANIA CEIL. 151



ALGORITMO CEIL. 223



NOTHING 86 SYST. 240



KALIFA II 271



KALIFA 287



NOTA BENE 294



KAO 381

## FLOOR LUMINAIRES



CHOCOLATE 194



KALIFA 280

## SUSPENSION LUMINAIRES



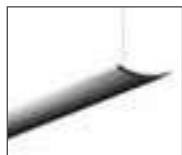
FOCAL 37



ANDROMEDA 108



CHOCOLATE 199



SURF SYSTEM 259



ALGORITMO SUSP. 222



KALIFA II 267



KALIFA SYSTEM 275



KALIFA SUSP. 287



NOTA BENE 290



TALO SYSTEM 300



LOST 305



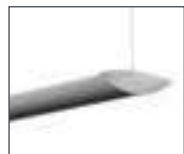
TWIST 357



ABSOLU 363



ESPRIT 312



MEGAN SYSTEM 319



EOS SYSTEM 323



NOTHING 86 S. 238



MINI FLAP SYSTEM 328



RA SYSTEM 341



ORION SYSTEM 347



ORION SUSP. 349



MIX SYSTEM 353



MOUETTE 369



KAO 377



TAGORA SUSP. 118



OUREA 127



ELIO 383

## WALL LUMINAIRES



FOCAL 37



CHOCOLATE 197



SURF SYSTEM 259



SURF WALL 261



MINISURF 263



KALIFA 277



MEGAN SYSTEM 319



MINI FLAP SYSTEM 331



FLAP SYSTEM 334



FLAP WALL 337



KAO 381



COVER 388



NULLA 391



TRAFFIC SYSTEM 395



SQUARE 397



KANJI 399



PRADO 401

## CHROMATIC LIGHT



ALGORITMO 226

## OUTDOOR



RIVOLI RECESSED 405



RIVOLI CORNICE 407

# PROFESSIONAL LIGHTING SOLUTIONS FOR OFFICE, RETAIL AND HOSPITALITY

RETAIL

HOSPITALITY

OFFICE



LUCERI LED 163



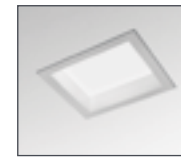
VULCANIA 149



L.D. SYSTEM 157



LUCERI 169



LUCERI KADRO 179



NOTHING REC. 84



NOTHING 172 SYST. 78



JAVA 62



JAVA 172 SYST. 74



ANDROMEDA 101



AYRTON 160



NOTHING CEILING 97



TAGORA CEILING 114



OUREA CEILING 129



ANDROMEDA CEIL. 104



PAD 28



PICTO 20



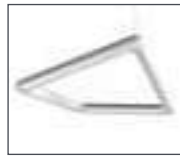
IODO 33



FOCAL 36



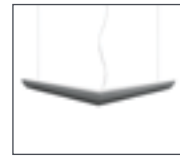
OTO 43



TWIST 357



ABSOLU 363



MOUETTE 369



TAGORA SUSP. 118



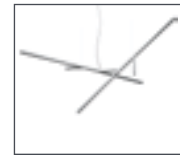
OUREA 127



TAGORA CEILING 114



OUREA CEILING 129



KAO SUSP. 377



KAO WALL 381



NULLA 391



CHOCOLATE WALL 197



SURF SYSTEM 259



SURF WALL 261



MINISURF 263



KALIFA WALL 277



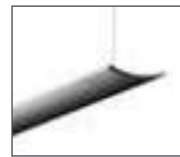
ALGORITMO 226



ALGORITMO SUSP. 222



CHOCOLATE 199



SURF SYSTEM 259



KALIFA/KALIFA II 267



NOTA BENE 290



SOLAR 183



BOLERO 185



ALTOP 187



KALIFA RECESSED 285



ALGORITMO REC. 211



NOTHING LINEAR 92



JAVA LINEAR 70



ALGORITMO REC. 211



TAGORA REC. 121



OUREA REC. 131



STICK 135



RASTAF 138



TOPLITE 142



VULCANIA 149



L.D. SYSTEM 155



VULCANIA CEILING 151



ERMES 48



STARSHIP 51



MINI FLAP SPOT 54



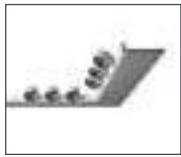
FOCAL WALL 37



PRADO WALL 401



ELIO 383



ORION SYSTEM 347



ORION SUSP. 349



MIX SYSTEM 353



ANDROMEDA SUSP. 108



SQUARE 397



KANJI 399



FLAP WALL 337



TRAFFIC SYSTEM 395



RIVOLI RECESSED 405



RIVOLI CORNICE 407



MEGAN SYSTEM 319



MINI FLAP SYSTEM 331



FLAP SYSTEM 334



COVER 388



TALO SYSTEM 300



LOST 305



ESPRIT 312



MEGAN SYSTEM 319



EOS SYSTEM 323



NOTHING 86 SYST. 238



RA SYSTEM 341



ALGORITMO CEIL. 223



NOTHING 86 SYST. 240



KALIFA II CEIL. 271



KALIFA CEILING 287



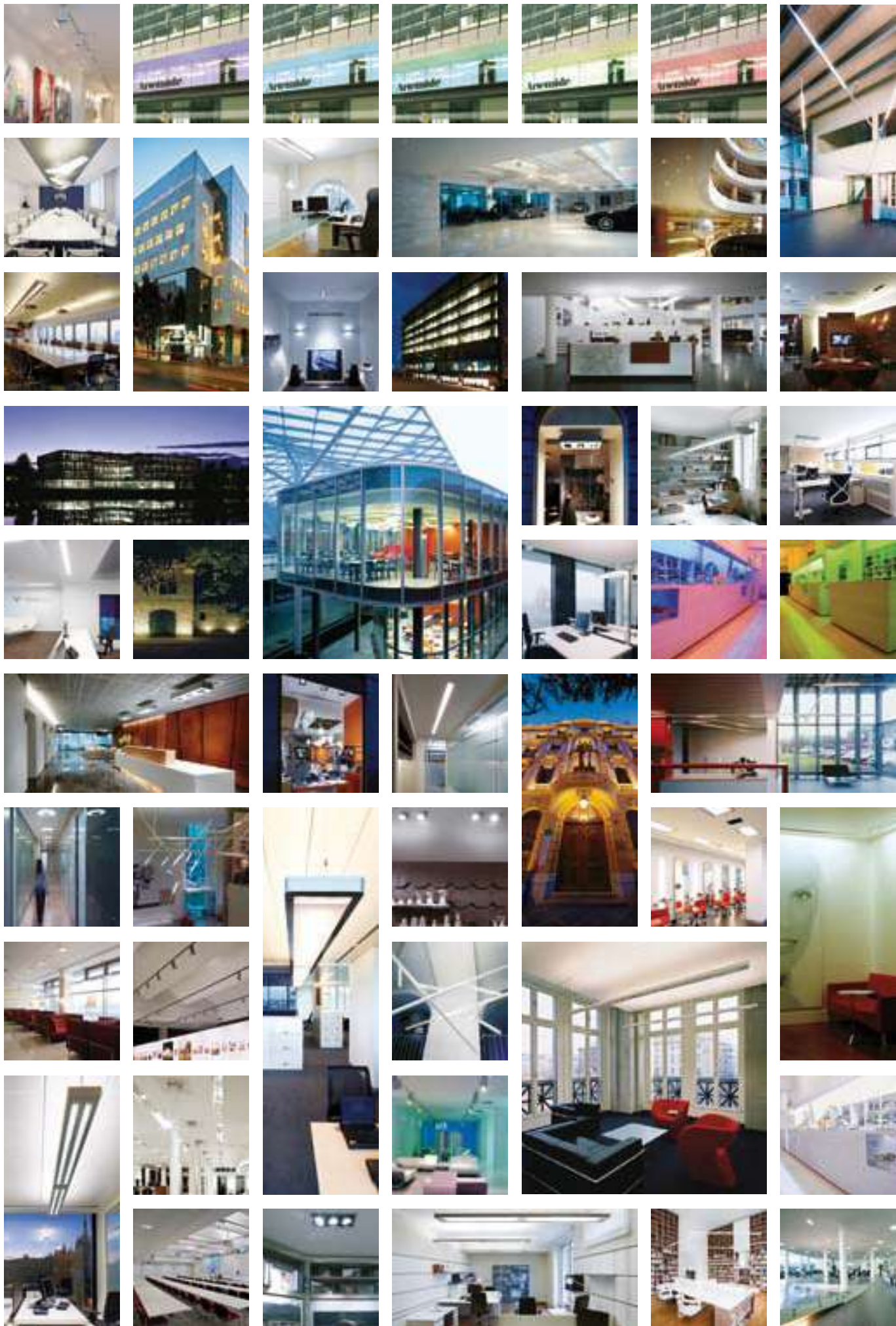
NOTA BENE CEIL. 294

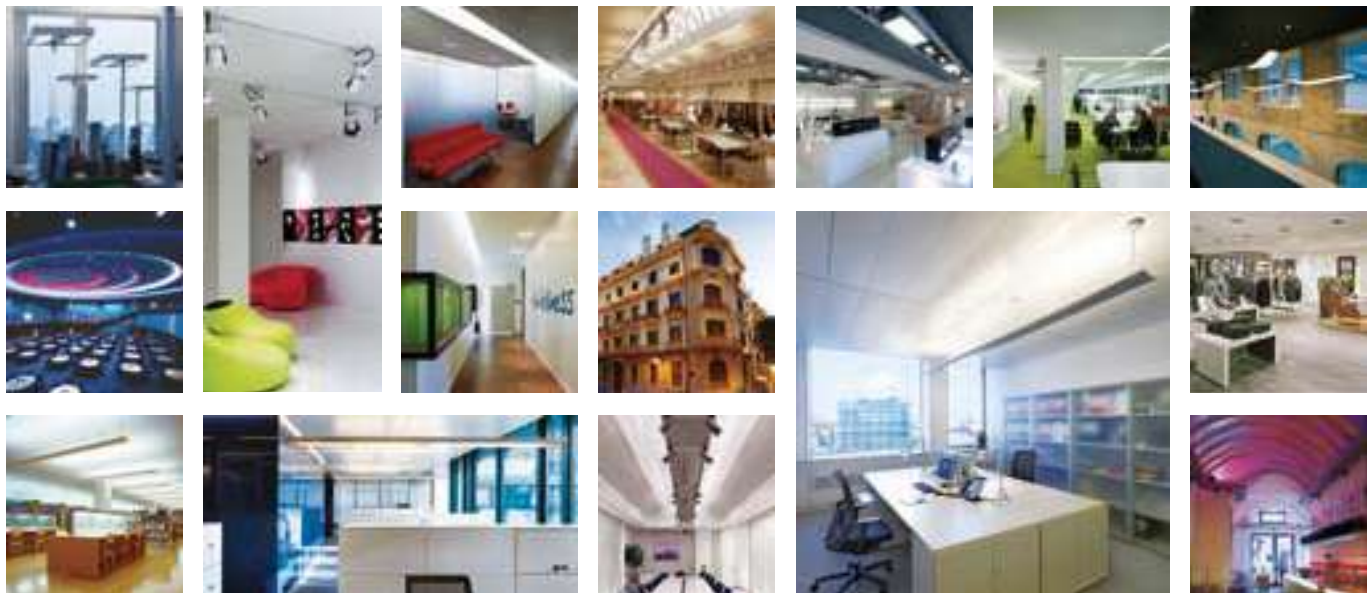


CHOCOLATE FLOOR 194



KALIFA FLOOR 280

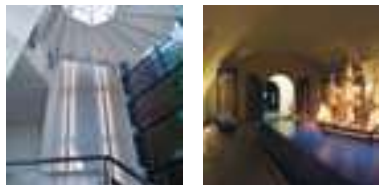




## ARTEMIDE ARCHITECTURAL

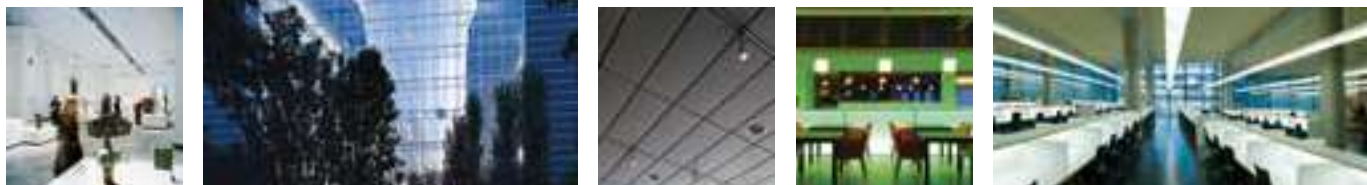
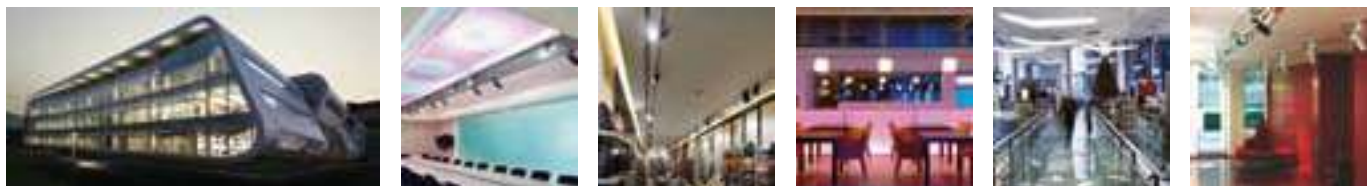
PROFESSIONAL LIGHTING SOLUTIONS  
FOR OFFICE, RETAIL AND HOSPITALITY

PRODUCT AND SERVICE ARE THE KEY FIELDS IN WHICH ARTEMIDE ARCHITECTURAL IS VALUED. NUMEROUS INTERNATIONAL DESIGNERS AND ARCHITECTS CONTRIBUTE TO THEIR DEVELOPMENT. CONTINUOUS INNOVATIONS IN LIGHTING SYSTEMS, FROM BOTH THE DESIGN AND FUNCTION VIEWPOINTS, DETERMINE THE EXPERTISE AND RELIABILITY OF THE BRAND, AND MAKE IT INTERNATIONALLY REKNOWN IN THE SECTORS OF DESIGN AND ARCHITECTURE, WITH THE APPROVAL OF DESIGNERS AND LIGHTING PLANNERS WHO FIND ARTEMIDE ARCHITECTURAL TO BE A PARTNER CAPABLE OF MEETING ANY LIGHTING REQUIREMENTS.



ISO 9001:2008

ISO 14001:2004



# PICTO





# PICTO



PICTO 70  
HORIZONTAL

PICTO 70  
VERTICAL



PICTO 100  
HORIZONTAL

PICTO 100  
VERTICAL

- SERIES OF DIRECTIONAL SPOTLIGHTS USING HIGH YIELD WHITE LED, METAL-HALIDE AND 12V HALOGEN LAMPS.
- BODY MADE FROM ALUMINIUM AND INJECTION-MOULDED HIGH-QUALITY POLYAMIDE.
- CHOICE OF 5 COLOUR OPTIONS.
- TWO DESIGN OPTIONS: WITH HORIZONTAL OR VERTICAL POWER SUPPLY UNIT WITH SMALL, MEDIUM AND LARGE SIZE.
- OPTIC UNIT AVAILABLE IN 3 SIZES: Ø70MM, Ø100MM AND Ø125MM.
- 2 VERSIONS: WITH THREE-PHASE TRACK ADAPTER, AND WITH BASE PLATE FOR CEILING MOUNTING.
- SUPER PURE ALUMINIUM OPTICS WITH A CHOICE OF UP TO FOUR BEAM SPREADS, FREELY INTERCHANGEABLE.
- TILT ANGLE RANGING FROM -90° TO 90°, ROTATION OF UP TO 355°. PRECISE INCLINATION BY MEANS OF A GRADUATION SPECIALLY DESIGNED, WITH A LOCKING MECHANISM.
- MONOCHROMATIC LED WITH WARM WHITE AND NEUTRAL WHITE TONES.
- HIT VERSION INCLUDES PROTECTION GLASS.
- ELECTRONIC CONTROL GEAR.
- WIDE RANGE OF ACCESSORIES.
- NOT SUITABLE FOR WALL INSTALLATION.
- COMPLIES WITH STANDARD EN60598-1 AND OTHER SPECIFIC STANDARDS.



PICTO 125 HIT  
BLACK/WHITE  
WITH TRACK ADAPTER

PAGE 13: PICTO 125 HIT  
WHITE/ANTHRACITE GREY  
WITH CEILING PLATE





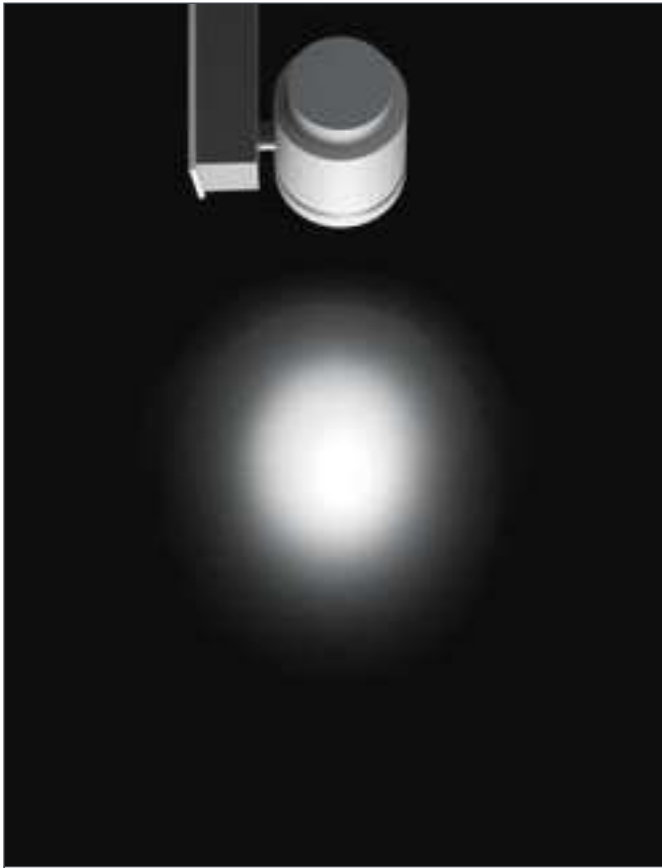
PICTO 125 HIT  
WHITE

PICTO 125 HIT  
BLACK

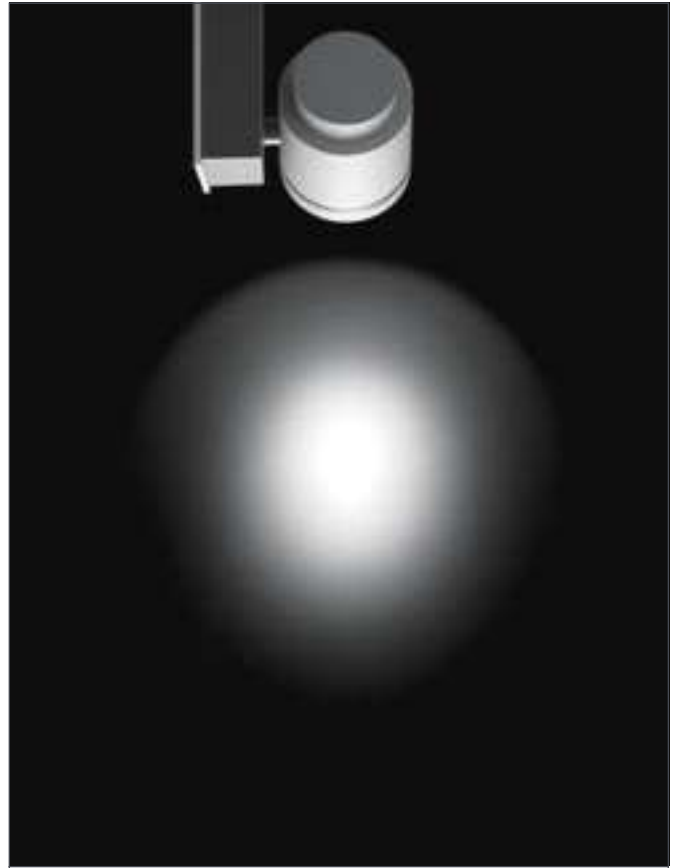


PICTO 125 HIT  
SILVER

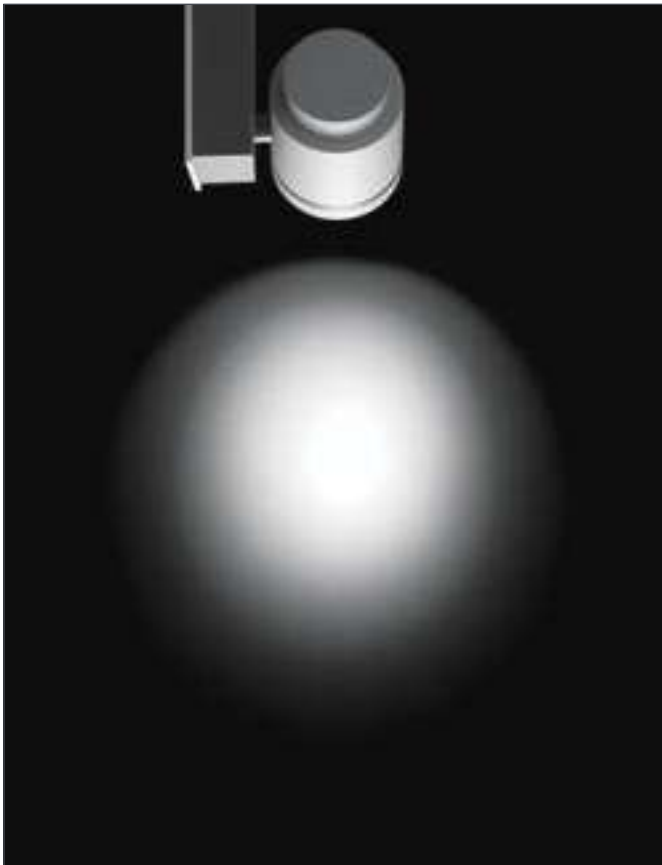
## PICTO OPTICS



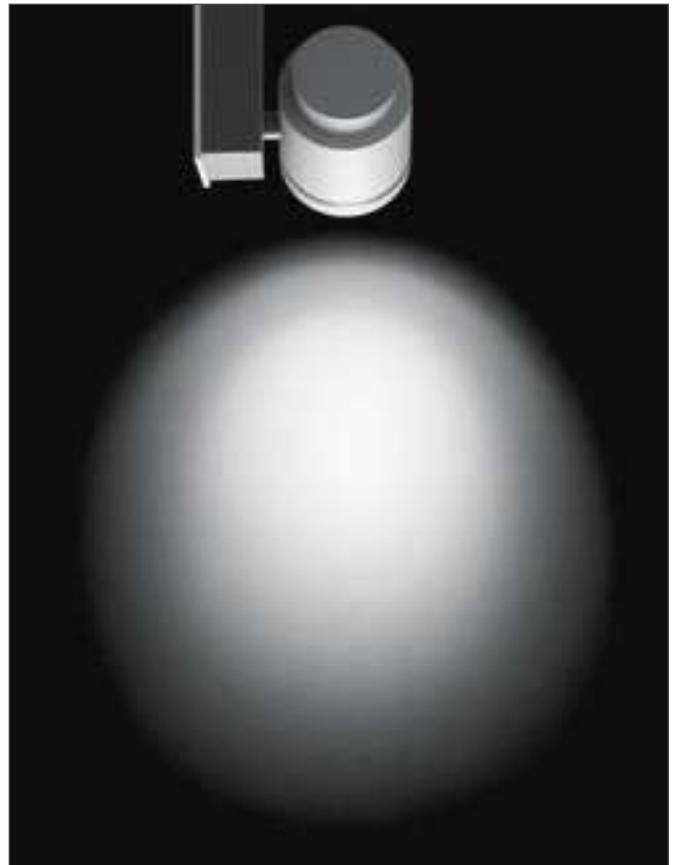
**SPOT (SP)**  
 $2 \times 5^\circ < \text{BEAM ANGLE} \leq 2 \times 10^\circ$   
To accentuate small objects.



**MEDIUM FLOOD (MFL)**  
 $2 \times 10^\circ < \text{BEAM ANGLE} \leq 2 \times 15^\circ$   
Standard accent lighting of all kinds of objects.









**FLOOD (FL)**  
 $2 \times 15^\circ < \text{BEAM ANGLE} \leq 2 \times 20^\circ$   
To accentuate large objects.



**WIDE FLOOD (WFL)**  $2 \times 20^\circ < \text{BEAM ANGLE} \leq 2 \times 30^\circ$   
**VERY WIDE FLOOD (VWFL)**  $\text{BEAM ANGLE} > 30^\circ$   
For wide illumination of surfaces or room areas, or for accent lighting merchandise on "central" display.

# PICTO OPTICS

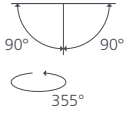
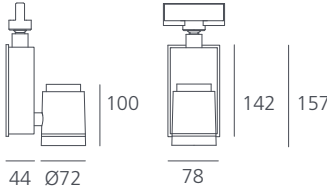
	SPOT	MEDIUM FLOOD	FLOOD	WIDE FLOOD	VERY WIDE FLOOD
PICTO 70 LED	●			●	
PICTO 70 HIT	●	●	●		
PICTO 100 LED	●		●		
PICTO 100 HALO	●		●	●	
PICTO 100 HIT	●	●	●	●	
PICTO 125 LED		●	●		
PICTO 125 HIT		●		●	●



	LED	HIT-CE (G12)	HIT-TC-CE (G8,5)	HIT-TC-CE (GU6,5)	HIPAR51 (GX10)	QT12 (GY6,35)	QR111 (G53)	QR-CBC51 (GU5,3)
<b>PICTO 70</b> 	8W  3000K (580lm)/ 4100K (640lm)  SP WFL			20W 35W  SP MFL FL	35W			max 50W/12V
<b>PICTO 100 HALO/HIT</b> 			35W 70W  SP MFL FL WFL			max 60W/12V  SP FL WFL		
<b>PICTO 100 LED</b> 	19W  3000K (1230lm)/ 4100K (1380lm)  SP FL							
<b>PICTO 125 HALO</b> 							max 100W/12V	
<b>PICTO 125 LED</b> 	33W  3000K 4000K (1800lm)  MFL FL							
<b>PICTO 125 HIT</b> 		35W 70W 150W  MFL WFL VWFL						





## PICTO 70-VERTICAL



 IP20 850° ● black/white 1 ● white/anthracite grey 2 ○ white 3 ● black 4 ● silver 6

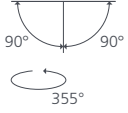
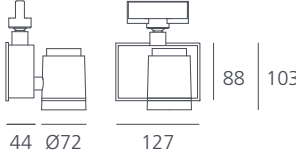
TRACK VERSION	CEILING VERSION	LIGHT SOURCE	WEIGHT
<b>M2230.3</b>	<b>M2230.1</b>	QR-CBC51 (GU5,3) 12V max50W	1,40kg
<b>M2231.3</b>	<b>M2231.1</b>	HIPAR51-CE-P (GX10) 35W	1,40kg
<b>M2232.3-*</b>	<b>M2232.1-*</b>	LED 8W WARM WHITE 3000K	1,40kg
<b>M2233.3-*</b>	<b>M2233.1-*</b>	LED 8W NEUTRAL WHITE 4100K	1,40kg
<b>M2234.3-*</b>	<b>M2234.1-*</b>	HIT-TC-CE (GU6,5) 20W	1,40kg
<b>M2235.3-*</b>	<b>M2235.1-*</b>	HIT-TC-CE (GU6,5) 35W	1,40kg



Halogen version with integral electronic transformer, 20-70W, 230-240V/12V.  
Dimmable by trailing edge phase cutting external dimmers.

\* Item number must be completed with the code of the desired reflector. See below.

photometric data: see page 416.  
3-circuit tracks: see page 57.

## PICTO 70-HORIZONTAL



 IP20 850° ● black/white 1 ● white/anthracite grey 2 ○ white 3 ● black 4 ● silver 6


TRACK VERSION	CEILING VERSION	LIGHT SOURCE	WEIGHT
<b>M2236.3</b>	<b>M2236.1</b>	QR-CBC51 (GU5,3) 12V max50W	1,40kg
<b>M2237.3</b>	<b>M2237.1</b>	HIPAR51-CE-P (GX10) 35W	1,40kg
<b>M2238.3-*</b>	<b>M2238.1-*</b>	LED 8W WARM WHITE 3000K	1,40kg
<b>M2239.3-*</b>	<b>M2239.1-*</b>	LED 8W NEUTRAL WHITE 4100K	1,40kg
<b>M2240.3-*</b>	<b>M2240.1-*</b>	HIT-TC-CE (GU6,5) 20W	1,40kg
<b>M2241.3-*</b>	<b>M2241.1-*</b>	HIT-TC-CE (GU6,5) 35W	1,40kg

Halogen version with integral electronic transformer, 20-70W, 230-240V/12V.  
Dimmable by trailing edge phase cutting external dimmers.

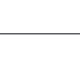
\* Item number must be completed with the code of the desired reflector. See below.

photometric data: see page 416.  
3-circuit tracks: see page 57.


## PICTO 70 REFLECTORS



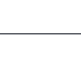
**SP** Aluminium reflector for PICTO 70 LED.  
Spot ( $2 \times 5^\circ < \text{angle} \leq 2 \times 10^\circ$ ).




**WFL** Wide-flood ( $2 \times 20^\circ < \text{angle} \leq 2 \times 30^\circ$ ).



**SP** Aluminium reflector for PICTO 70 HIT.  
Spot ( $2 \times 5^\circ < \text{angle} \leq 2 \times 10^\circ$ ).


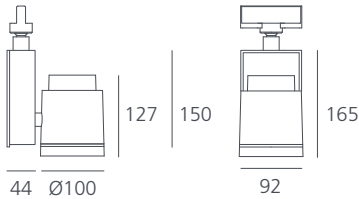
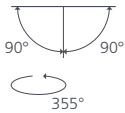




**MFL** Medium-flood ( $2 \times 10^\circ < \text{angle} \leq 2 \times 15^\circ$ ).



**FL** Flood ( $2 \times 15^\circ < \text{angle} \leq 2 \times 20^\circ$ ).


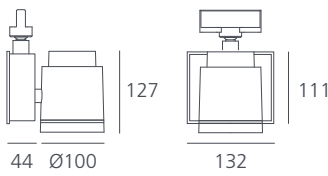
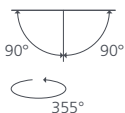


## PICTO 100 HALO/HIT-VERTICAL

				
	<p>⊕ ⊖ IP20 850° ● black/white 1 ● white/anthracite grey 2 ○ white 3 ● black 4 ● silver 6</p>			
HIT-TC-CE (G8,5)  QT12-UVR-ax (GY6,35) 	<b>TRACK VERSION</b>	<b>CEILING VERSION</b>	<b>LIGHT SOURCE</b>	<b>WEIGHT</b>
	<b>M2242.3-*</b>	<b>M2242.1-*</b>	HIT-TC-CE (G8,5) 35W	1,60kg
	<b>M2243.3-*</b>	<b>M2243.1-*</b>	HIT-TC-CE (G8,5) 70W	1,60kg
	<b>M2244.3-*</b>	<b>M2244.1-*</b>	QT12-UVR-ax (GY6,35) max60W	1,60kg
Halogen version with integral electronic transformer, 20-70W, 230-240V/12V. Dimmable by trailing edge phase cutting external dimmers.				

\* Item number must be completed with the code of the desired reflector. See below.

photometric data: see page 416-417.  
3-circuit tracks: see page 57.


## PICTO 100 HALO/HIT-HORIZONTAL


				
	<p>⊕ ⊖ IP20 850° ● black/white 1 ● white/anthracite grey 2 ○ white 3 ● black 4 ● silver 6</p>			
HIT-TC-CE (G8,5)  QT12-UVR-ax (GY6,35) 	<b>TRACK VERSION</b>	<b>CEILING VERSION</b>	<b>LIGHT SOURCE</b>	<b>WEIGHT</b>
	<b>M2247.3-*</b>	<b>M2247.1-*</b>	HIT-TC-CE (G8,5) 35W	1,60kg
	<b>M2248.3-*</b>	<b>M2248.1-*</b>	HIT-TC-CE (G8,5) 70W	1,60kg
	<b>M2249.3-*</b>	<b>M2249.1-*</b>	QT12-UVR-ax (GY6,35) max60W	1,60kg
Halogen version with integral electronic transformer, 20-70W, 230-240V/12V. Dimmable by trailing edge phase cutting external dimmers.				

\* Item number must be completed with the code of the desired reflector. See below.


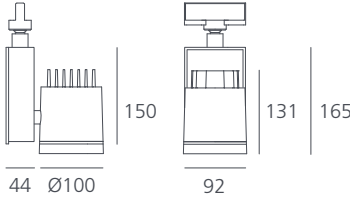
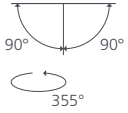

photometric data: see page 416-417.  
3-circuit tracks: see page 57.

## PICTO 100 REFLECTORS

	<b>SP</b> Aluminium reflector for PICTO 100 HIT. Spot ( $2 \times 5^\circ < \text{angle} \leq 2 \times 10^\circ$ ).
	<b>MFL</b> Medium-flood ( $2 \times 10^\circ < \text{angle} \leq 2 \times 15^\circ$ ). <b>FL</b> Flood ( $2 \times 15^\circ < \text{angle} \leq 2 \times 20^\circ$ ). <b>WFL</b> Wide-flood ( $2 \times 20^\circ < \text{angle} \leq 2 \times 30^\circ$ ).

	<b>SP</b> Aluminium reflector for PICTO 100 HALO. Spot ( $2 \times 5^\circ < \text{angle} \leq 2 \times 10^\circ$ ).
	<b>FL</b> Flood ( $2 \times 15^\circ < \text{angle} \leq 2 \times 20^\circ$ ). <b>WFL</b> Wide-flood ( $2 \times 20^\circ < \text{angle} \leq 2 \times 30^\circ$ ).


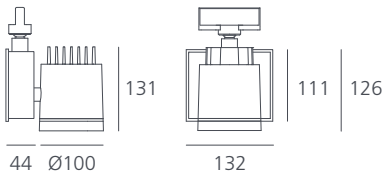
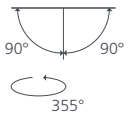

## PICTO 100 LED-VERTICAL

																							
	<p>⊕ ⚡ IP20 850° ● black/white 1 ● white/anthracite grey 2 ○ white 3 ● black 4 ● silver 6</p>																						
LED		<table border="1"> <thead> <tr> <th>TRACK VERSION</th> <th>CEILING VERSION</th> <th>LIGHT SOURCE</th> <th>WEIGHT</th> </tr> </thead> <tbody> <tr> <td><b>M2245.3-*</b></td> <td><b>M2245.1-*</b></td> <td>LED 19W WARM WHITE 3000K non dimmable</td> <td>1,70kg</td> </tr> <tr> <td><b>M2246.3-*</b></td> <td><b>M2246.1-*</b></td> <td>LED 19W NEUTRAL WHITE 4100K non dimmable</td> <td>1,70kg</td> </tr> <tr> <td><b>M2261.3-*</b></td> <td><b>M2261.1-*</b></td> <td>LED 19W WARM WHITE 3000K dimmable DALI</td> <td>1,70kg</td> </tr> <tr> <td><b>M2262.3-*</b></td> <td><b>M2262.1-*</b></td> <td>LED 19W NEUTRAL WHITE 4100K dimmable DALI</td> <td>1,70kg</td> </tr> </tbody> </table>	TRACK VERSION	CEILING VERSION	LIGHT SOURCE	WEIGHT	<b>M2245.3-*</b>	<b>M2245.1-*</b>	LED 19W WARM WHITE 3000K non dimmable	1,70kg	<b>M2246.3-*</b>	<b>M2246.1-*</b>	LED 19W NEUTRAL WHITE 4100K non dimmable	1,70kg	<b>M2261.3-*</b>	<b>M2261.1-*</b>	LED 19W WARM WHITE 3000K dimmable DALI	1,70kg	<b>M2262.3-*</b>	<b>M2262.1-*</b>	LED 19W NEUTRAL WHITE 4100K dimmable DALI	1,70kg	
TRACK VERSION	CEILING VERSION	LIGHT SOURCE	WEIGHT																				
<b>M2245.3-*</b>	<b>M2245.1-*</b>	LED 19W WARM WHITE 3000K non dimmable	1,70kg																				
<b>M2246.3-*</b>	<b>M2246.1-*</b>	LED 19W NEUTRAL WHITE 4100K non dimmable	1,70kg																				
<b>M2261.3-*</b>	<b>M2261.1-*</b>	LED 19W WARM WHITE 3000K dimmable DALI	1,70kg																				
<b>M2262.3-*</b>	<b>M2262.1-*</b>	LED 19W NEUTRAL WHITE 4100K dimmable DALI	1,70kg																				

\* Item number must be completed with the code of the desired reflector. See below.

photometric data: see page 417.  
3-circuit tracks: see page 57.


## PICTO 100 LED-HORIZONTAL

																							
	<p>⊕ ⚡ IP20 850° ● black/white 1 ● white/anthracite grey 2 ○ white 3 ● black 4 ● silver 6</p>																						
LED		<table border="1"> <thead> <tr> <th>TRACK VERSION</th> <th>CEILING VERSION</th> <th>LIGHT SOURCE</th> <th>WEIGHT</th> </tr> </thead> <tbody> <tr> <td><b>M2250.3-*</b></td> <td><b>M2250.1-*</b></td> <td>LED 19W WARM WHITE 3000K non dimmable</td> <td>1,70kg</td> </tr> <tr> <td><b>M2251.3-*</b></td> <td><b>M2251.1-*</b></td> <td>LED 19W NEUTRAL WHITE 4100K non dimmable</td> <td>1,70kg</td> </tr> <tr> <td><b>M2263.3-*</b></td> <td><b>M2263.1-*</b></td> <td>LED 19W WARM WHITE 3000K dimmable DALI</td> <td>1,70kg</td> </tr> <tr> <td><b>M2264.3-*</b></td> <td><b>M2264.1-*</b></td> <td>LED 19W NEUTRAL WHITE 4100K dimmable DALI</td> <td>1,70kg</td> </tr> </tbody> </table>	TRACK VERSION	CEILING VERSION	LIGHT SOURCE	WEIGHT	<b>M2250.3-*</b>	<b>M2250.1-*</b>	LED 19W WARM WHITE 3000K non dimmable	1,70kg	<b>M2251.3-*</b>	<b>M2251.1-*</b>	LED 19W NEUTRAL WHITE 4100K non dimmable	1,70kg	<b>M2263.3-*</b>	<b>M2263.1-*</b>	LED 19W WARM WHITE 3000K dimmable DALI	1,70kg	<b>M2264.3-*</b>	<b>M2264.1-*</b>	LED 19W NEUTRAL WHITE 4100K dimmable DALI	1,70kg	
TRACK VERSION	CEILING VERSION	LIGHT SOURCE	WEIGHT																				
<b>M2250.3-*</b>	<b>M2250.1-*</b>	LED 19W WARM WHITE 3000K non dimmable	1,70kg																				
<b>M2251.3-*</b>	<b>M2251.1-*</b>	LED 19W NEUTRAL WHITE 4100K non dimmable	1,70kg																				
<b>M2263.3-*</b>	<b>M2263.1-*</b>	LED 19W WARM WHITE 3000K dimmable DALI	1,70kg																				
<b>M2264.3-*</b>	<b>M2264.1-*</b>	LED 19W NEUTRAL WHITE 4100K dimmable DALI	1,70kg																				


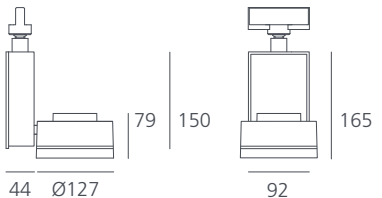
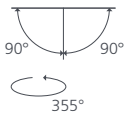

\* Item number must be completed with the code of the desired reflector. See below.

photometric data: see page 417.  
3-circuit tracks: see page 57.

## PICTO 100 LED REFLECTORS


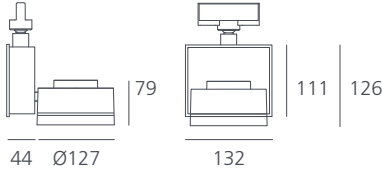
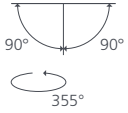

	<p>Aluminium reflector for PICTO 100 LED.</p>	
	<p><b>SP</b> Spot (2x5° &lt; angle ≤ 2x10°). <b>FL</b> Flood (2x15° &lt; angle ≤ 2x20°).</p>	

## PICTO 125 HALO-VERTICAL

											
	<p>⊕ ⚡ IP20 850° ● black/white 1 ● white/anthracite grey 2 ○ white 3 ● black 4 ● silver 6</p>										
QR111 (G53)		<table border="1"> <thead> <tr> <th>TRACK VERSION</th> <th>CEILING VERSION</th> <th>LIGHT SOURCE</th> <th>WEIGHT</th> </tr> </thead> <tbody> <tr> <td><b>M2252.3</b></td> <td><b>M2252.1</b></td> <td>QR111 (G53) 12V max100W</td> <td>1,80kg</td> </tr> </tbody> </table> <p>Integral electronic transformer, 20-105W, 230-240V/12V. Dimmable by trailing or leading edge external dimmers.</p>	TRACK VERSION	CEILING VERSION	LIGHT SOURCE	WEIGHT	<b>M2252.3</b>	<b>M2252.1</b>	QR111 (G53) 12V max100W	1,80kg	
TRACK VERSION	CEILING VERSION	LIGHT SOURCE	WEIGHT								
<b>M2252.3</b>	<b>M2252.1</b>	QR111 (G53) 12V max100W	1,80kg								


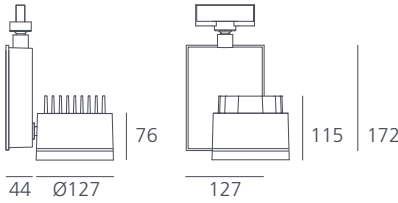
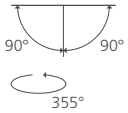

3-circuit tracks: see page 57.

## PICTO 125 HALO-HORIZONTAL

														
			Ⓢ Ⓡ IP20 850° ● black/white 1 ● white/anthracite grey 2 ○ white 3 ● black 4 ● silver 6											
QR111 (G53) 	<table border="1"> <thead> <tr> <th>TRACK VERSION</th> <th>CEILING VERSION</th> <th>LIGHT SOURCE</th> <th>WEIGHT</th> </tr> </thead> <tbody> <tr> <td><b>M2253.3</b></td> <td><b>M2253.1</b></td> <td>QR111 (G53) 12V max100W</td> <td>1,80kg</td> </tr> <tr> <td colspan="4">Integral electronic transformer, 20-105W, 230-240V/12V. Dimmable by trailing or leading edge external dimmers.</td> </tr> </tbody> </table>	TRACK VERSION	CEILING VERSION	LIGHT SOURCE	WEIGHT	<b>M2253.3</b>	<b>M2253.1</b>	QR111 (G53) 12V max100W	1,80kg	Integral electronic transformer, 20-105W, 230-240V/12V. Dimmable by trailing or leading edge external dimmers.				
TRACK VERSION	CEILING VERSION	LIGHT SOURCE	WEIGHT											
<b>M2253.3</b>	<b>M2253.1</b>	QR111 (G53) 12V max100W	1,80kg											
Integral electronic transformer, 20-105W, 230-240V/12V. Dimmable by trailing or leading edge external dimmers.														

3-circuit tracks: see page 57.


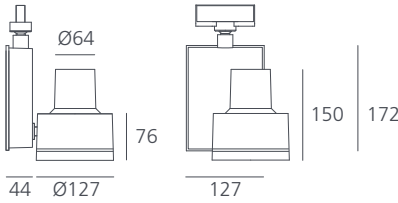
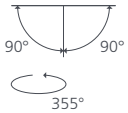

## PICTO 125 LED

																						
			Ⓢ Ⓡ IP20 850° ● black/white 1 ● white/anthracite grey 2 ○ white 3 ● black 4 ● silver 6																			
LED 	<table border="1"> <thead> <tr> <th>TRACK VERSION</th> <th>CEILING VERSION</th> <th>LIGHT SOURCE</th> <th>WEIGHT</th> </tr> </thead> <tbody> <tr> <td><b>M2257.3-*</b></td> <td><b>M2257.1-*</b></td> <td>LED 33W WARM WHITE 3000K non dimmable</td> <td>2,30kg</td> </tr> <tr> <td><b>M2258.3-*</b></td> <td><b>M2258.1-*</b></td> <td>LED 33W NEUTRAL WHITE 4000K non dimmable</td> <td>2,30kg</td> </tr> <tr> <td><b>M2259.3-*</b></td> <td><b>M2259.1-*</b></td> <td>LED 33W WARM WHITE 3000K dimmable DALI</td> <td>2,30kg</td> </tr> <tr> <td><b>M2260.3-*</b></td> <td><b>M2260.1-*</b></td> <td>LED 33W NEUTRAL WHITE 4000K dimmable DALI</td> <td>2,30kg</td> </tr> </tbody> </table>	TRACK VERSION	CEILING VERSION	LIGHT SOURCE	WEIGHT	<b>M2257.3-*</b>	<b>M2257.1-*</b>	LED 33W WARM WHITE 3000K non dimmable	2,30kg	<b>M2258.3-*</b>	<b>M2258.1-*</b>	LED 33W NEUTRAL WHITE 4000K non dimmable	2,30kg	<b>M2259.3-*</b>	<b>M2259.1-*</b>	LED 33W WARM WHITE 3000K dimmable DALI	2,30kg	<b>M2260.3-*</b>	<b>M2260.1-*</b>	LED 33W NEUTRAL WHITE 4000K dimmable DALI	2,30kg	
TRACK VERSION	CEILING VERSION	LIGHT SOURCE	WEIGHT																			
<b>M2257.3-*</b>	<b>M2257.1-*</b>	LED 33W WARM WHITE 3000K non dimmable	2,30kg																			
<b>M2258.3-*</b>	<b>M2258.1-*</b>	LED 33W NEUTRAL WHITE 4000K non dimmable	2,30kg																			
<b>M2259.3-*</b>	<b>M2259.1-*</b>	LED 33W WARM WHITE 3000K dimmable DALI	2,30kg																			
<b>M2260.3-*</b>	<b>M2260.1-*</b>	LED 33W NEUTRAL WHITE 4000K dimmable DALI	2,30kg																			

\* Item number must be completed with the code of the desired reflector. See below.

photometric data: see page 419.  
3-circuit tracks: see page 57.


## PICTO 125 HIT


																		
			Ⓢ Ⓡ IP20 850° ● black/white 1 ● white/anthracite grey 2 ○ white 3 ● black 4 ● silver 6															
HIT-CE (G12) 	<table border="1"> <thead> <tr> <th>TRACK VERSION</th> <th>CEILING VERSION</th> <th>LIGHT SOURCE</th> <th>WEIGHT</th> </tr> </thead> <tbody> <tr> <td><b>M2254.3-*</b></td> <td><b>M2254.1-*</b></td> <td>HIT-CE (G12) 35W</td> <td>2,30kg</td> </tr> <tr> <td><b>M2255.3-*</b></td> <td><b>M2255.1-*</b></td> <td>HIT-CE (G12) 70W</td> <td>2,30kg</td> </tr> <tr> <td><b>M2256.3-*</b></td> <td><b>M2256.1-*</b></td> <td>HIT-CE (G12) 150W</td> <td>2,30kg</td> </tr> </tbody> </table>	TRACK VERSION	CEILING VERSION	LIGHT SOURCE	WEIGHT	<b>M2254.3-*</b>	<b>M2254.1-*</b>	HIT-CE (G12) 35W	2,30kg	<b>M2255.3-*</b>	<b>M2255.1-*</b>	HIT-CE (G12) 70W	2,30kg	<b>M2256.3-*</b>	<b>M2256.1-*</b>	HIT-CE (G12) 150W	2,30kg	
TRACK VERSION	CEILING VERSION	LIGHT SOURCE	WEIGHT															
<b>M2254.3-*</b>	<b>M2254.1-*</b>	HIT-CE (G12) 35W	2,30kg															
<b>M2255.3-*</b>	<b>M2255.1-*</b>	HIT-CE (G12) 70W	2,30kg															
<b>M2256.3-*</b>	<b>M2256.1-*</b>	HIT-CE (G12) 150W	2,30kg															

\* Item number must be completed with the code of the desired reflector. See below.

photometric data: see page 418.  
3-circuit tracks: see page 57.

## PICTO 125 REFLECTORS





	<b>MFL</b> Aluminium reflector for PICTO 125 LED.
	<b>FL</b> Medium-flood (2x10° < angle ≤ 2x15°). Flood (2x15° < angle ≤ 2x20°).

	<b>MFL</b> Aluminium reflector for PICTO 125 HIT.
	<b>WFL</b> Medium-flood (2x10° < angle ≤ 2x15°). <b>VWFL</b> Wide-Flood (2x20° < angle < 2x30°). Very-Wide-Flood (angle > 2x30°).



# PICTO ACCESSORIES

	<p>UV-Filter.</p> <p><b>M080545</b> For PICTO 100 HIT. <b>M080535</b> For PICTO 125 HIT.</p>
	<p>Accessory-holder (in 3 colour options) + filter. Only for PICTO 125.</p> <p><b>M0835.7</b> IR filter. <b>M0836.7</b> Chromatic filter "Warmtone". <b>M0837.7</b> Chromatic filter "Coldtone". <b>M0834.7</b> Lens for elliptical light distribution.</p>
	<p>● black 3 ○ white 1 ● anthracite-grey 2</p>
	<p>Accessory-holder (in 3 colour options) + louvre (black).</p> <p><b>M0817.7</b> For PICTO 100. <b>M0833.7</b> For PICTO 125.</p>
	<p>● black 3 ○ white 1 ● anthracite-grey 2</p>
	<p>Accessory-holder (in 3 colour options) + wall washer screen (black).</p> <p><b>M0830.7</b> For PICTO 70. <b>M0827.7</b> For PICTO 100. <b>M0831.7</b> For PICTO 125.</p>
	<p>● black 3 ○ white 1 ● anthracite-grey 2</p>

	<p><b>M0838.7</b> Accessory-holder (in 3 colour options) + projection lens for gobo for PICTO 70. Customized gobo to be ordered separately.</p> <p>● black 3 ○ white 1 ● anthracite-grey 2</p>
	<p><b>M080800</b> Customized gobo in silk-screen printed glass for PICTO 70. Gobo's diameter: Ø37,5mm overall. Gobo's thickness 1,1mm. Logo's size: Ø10mm min. - Ø 20mm max.</p>
	<p><b>M0839.7</b> Accessory-holder (in 3 colour options) + projection lens and framing device for PICTO 70.</p> <p>● black 3 ○ white 1 ● anthracite-grey 2</p>
	<p>Accessory-holder (in 3 colour options) + adjustable dowser (black).</p> <p><b>M0828.7</b> For PICTO 70. <b>M0826.7</b> For PICTO 100. <b>M0829.7</b> For PICTO 125.</p> <p>● black 3 ○ white 1 ● anthracite-grey 2</p>

# PICTO ACCESSORIES COLOUR MAP

COLOUR OF ACCESSORY-HOLDER	● anthracite-grey 2			○ white 1			● black 3			
	MATCHING COLOUR OF PROJECTOR	○ white/anthracite-grey 2		● black/white 1		● black 4		○ white 3		● silver 6

# PAD (POÈME DE L'ANGLE DROIT)

design CARLOTTA DE BEVILACQUA


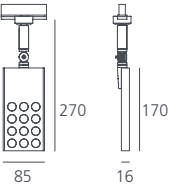
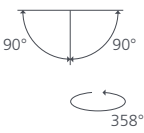

NEW





- SERIES OF PROJECTORS USING HIGH-EFFICIENCY LED WITH MONOCHROMATIC WARM WHITE (3000K) AND NEUTRAL WHITE (4000K) EMISSION.
- COMPRISED OF AN ALUMINIUM BODY WITH BRIGHT ANODIZED FINISH AND A TRANSLUCENT COVER IN POLYCARBONATE.
- **PAD** IS AVAILABLE IN FOUR MOUNTING OPTIONS: WITH THREE-PHASE TRACK ADAPTER, WITH BASE PLATE OR RECESSED PLATE FOR CEILING MOUNTING, AND IN COMBINATION WITH THE **ALGORITMO** PRODUCT LINE.
- THE ARRAY OF 12 LEDS (13W IN TOTAL) LAYS ON A METAL CORE PLACED ON THE ALUMINIUM BODY OF THE PROJECTOR THAT ACTS AS HEAT DISSIPATOR.
- THE SPECIAL POWER SUPPLY SYSTEM IS HOUSED WITHIN THE BODY, THUS ALLOWING A DIRECT CONNECTION TO THE ELECTRICAL NETWORK (100-240V).
- THE COVER ACTS AS A SUPPORT FOR THE LENSES AVAILABLE IN 3 BEAM OPTIONS. IT PROVIDES A DIFFUSED LIGHTING EFFECT WHILE ENSURING PROTECTION FOR THE ELECTRICAL PARTS.
- A SMART HINGE THAT COMBINES REDUCED DIMENSIONS WITH A VERY LARGE ANGULAR EXCURSION PROVIDES EXTREME FLEXIBILITY OF ROTATION: ROTATION OF UP TO 358°, TILT ANGLE OF UP TO +90°/-90°.
- VERSIONS WITH SURFACE CEILING PLATE AND RECESSED CEILING PLATE ARE DIMMABLE (SWITCHDIM).
- COMPLIES WITH EN60598-1 AND OTHER SPECIFIC STANDARDS.


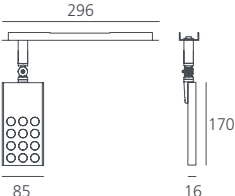
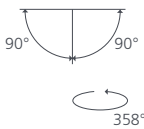

## PAD 230V TRACK

																							
			Ⓧ IP40 650° ○ translucent/bright anodized																				
LED MONOCHROMATIC 	<table border="1"> <thead> <tr> <th>CODE</th> <th>LIGHT SOURCE</th> <th>WEIGHT</th> </tr> </thead> <tbody> <tr> <td><b>M200003</b></td> <td>LED 13W 2x5° WARM WHITE 3000K</td> <td>0,390kg</td> </tr> <tr> <td><b>M200103</b></td> <td>LED 13W 2x5° NEUTRAL WHITE 4000K</td> <td>0,390kg</td> </tr> <tr> <td><b>M200203</b></td> <td>LED 13W 2x10° WARM WHITE 3000K</td> <td>0,390kg</td> </tr> <tr> <td><b>M200303</b></td> <td>LED 13W 2x10° NEUTRAL WHITE 4000K</td> <td>0,390kg</td> </tr> <tr> <td><b>M200403</b></td> <td>LED 13W 2x20° WARM WHITE 3000K</td> <td>0,390kg</td> </tr> <tr> <td><b>M200503</b></td> <td>LED 13W 2x20° NEUTRAL WHITE 4000K</td> <td>0,390kg</td> </tr> </tbody> </table>	CODE	LIGHT SOURCE	WEIGHT	<b>M200003</b>	LED 13W 2x5° WARM WHITE 3000K	0,390kg	<b>M200103</b>	LED 13W 2x5° NEUTRAL WHITE 4000K	0,390kg	<b>M200203</b>	LED 13W 2x10° WARM WHITE 3000K	0,390kg	<b>M200303</b>	LED 13W 2x10° NEUTRAL WHITE 4000K	0,390kg	<b>M200403</b>	LED 13W 2x20° WARM WHITE 3000K	0,390kg	<b>M200503</b>	LED 13W 2x20° NEUTRAL WHITE 4000K	0,390kg	
CODE	LIGHT SOURCE	WEIGHT																					
<b>M200003</b>	LED 13W 2x5° WARM WHITE 3000K	0,390kg																					
<b>M200103</b>	LED 13W 2x5° NEUTRAL WHITE 4000K	0,390kg																					
<b>M200203</b>	LED 13W 2x10° WARM WHITE 3000K	0,390kg																					
<b>M200303</b>	LED 13W 2x10° NEUTRAL WHITE 4000K	0,390kg																					
<b>M200403</b>	LED 13W 2x20° WARM WHITE 3000K	0,390kg																					
<b>M200503</b>	LED 13W 2x20° NEUTRAL WHITE 4000K	0,390kg																					

photometric data: see page 415.

3-circuit tracks: see page 57.

## PAD 230V FOR ALGORITMO

																							
			Ⓧ IP40 650° ○ translucent/bright anodized																				
LED MONOCHROMATIC 	<table border="1"> <thead> <tr> <th>CODE</th> <th>LIGHT SOURCE</th> <th>WEIGHT</th> </tr> </thead> <tbody> <tr> <td><b>M200002</b></td> <td>LED 13W 2x5° WARM WHITE 3000K</td> <td>0,420kg</td> </tr> <tr> <td><b>M200102</b></td> <td>LED 13W 2x5° NEUTRAL WHITE 4000K</td> <td>0,420kg</td> </tr> <tr> <td><b>M200202</b></td> <td>LED 13W 2x10° WARM WHITE 3000K</td> <td>0,420kg</td> </tr> <tr> <td><b>M200302</b></td> <td>LED 13W 2x10° NEUTRAL WHITE 4000K</td> <td>0,420kg</td> </tr> <tr> <td><b>M200402</b></td> <td>LED 13W 2x20° WARM WHITE 3000K</td> <td>0,420kg</td> </tr> <tr> <td><b>M200502</b></td> <td>LED 13W 2x20° NEUTRAL WHITE 4000K</td> <td>0,420kg</td> </tr> </tbody> </table>	CODE	LIGHT SOURCE	WEIGHT	<b>M200002</b>	LED 13W 2x5° WARM WHITE 3000K	0,420kg	<b>M200102</b>	LED 13W 2x5° NEUTRAL WHITE 4000K	0,420kg	<b>M200202</b>	LED 13W 2x10° WARM WHITE 3000K	0,420kg	<b>M200302</b>	LED 13W 2x10° NEUTRAL WHITE 4000K	0,420kg	<b>M200402</b>	LED 13W 2x20° WARM WHITE 3000K	0,420kg	<b>M200502</b>	LED 13W 2x20° NEUTRAL WHITE 4000K	0,420kg	
CODE	LIGHT SOURCE	WEIGHT																					
<b>M200002</b>	LED 13W 2x5° WARM WHITE 3000K	0,420kg																					
<b>M200102</b>	LED 13W 2x5° NEUTRAL WHITE 4000K	0,420kg																					
<b>M200202</b>	LED 13W 2x10° WARM WHITE 3000K	0,420kg																					
<b>M200302</b>	LED 13W 2x10° NEUTRAL WHITE 4000K	0,420kg																					
<b>M200402</b>	LED 13W 2x20° WARM WHITE 3000K	0,420kg																					
<b>M200502</b>	LED 13W 2x20° NEUTRAL WHITE 4000K	0,420kg																					


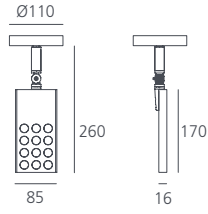
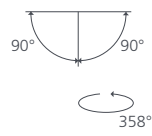

photometric data: see page 415.

ALGORITMO SYSTEM: see page 204.

## PAD FOR ALGORITMO


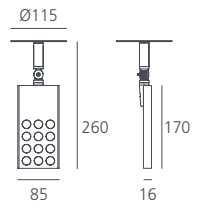
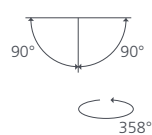



## PAD 230V CEILING

																							
			<p>⊕ IP40 650° ○ translucent/bright anodized</p>																				
<p>LED MONOCHROMATIC </p>	<table border="1"> <thead> <tr> <th>CODE</th> <th>LIGHT SOURCE</th> <th>WEIGHT</th> </tr> </thead> <tbody> <tr> <td><b>M200001</b></td> <td>LED 13W 2x5° WARM WHITE 3000K dimmable (Switchdim)</td> <td>0,420kg</td> </tr> <tr> <td><b>M200101</b></td> <td>LED 13W 2x5° NEUTRAL WHITE 4000K dimmable (Switchdim)</td> <td>0,420kg</td> </tr> <tr> <td><b>M200201</b></td> <td>LED 13W 2x10° WARM WHITE 3000K dimmable (Switchdim)</td> <td>0,420kg</td> </tr> <tr> <td><b>M200301</b></td> <td>LED 13W 2x10° NEUTRAL WHITE 4000K dimmable (Switchdim)</td> <td>0,420kg</td> </tr> <tr> <td><b>M200401</b></td> <td>LED 13W 2x20° WARM WHITE 3000K dimmable (Switchdim)</td> <td>0,420kg</td> </tr> <tr> <td><b>M200501</b></td> <td>LED 13W 2x20° NEUTRAL WHITE 4000K dimmable (Switchdim)</td> <td>0,420kg</td> </tr> </tbody> </table> <p>Dimming control via external push-button (not provided).</p>	CODE	LIGHT SOURCE	WEIGHT	<b>M200001</b>	LED 13W 2x5° WARM WHITE 3000K dimmable (Switchdim)	0,420kg	<b>M200101</b>	LED 13W 2x5° NEUTRAL WHITE 4000K dimmable (Switchdim)	0,420kg	<b>M200201</b>	LED 13W 2x10° WARM WHITE 3000K dimmable (Switchdim)	0,420kg	<b>M200301</b>	LED 13W 2x10° NEUTRAL WHITE 4000K dimmable (Switchdim)	0,420kg	<b>M200401</b>	LED 13W 2x20° WARM WHITE 3000K dimmable (Switchdim)	0,420kg	<b>M200501</b>	LED 13W 2x20° NEUTRAL WHITE 4000K dimmable (Switchdim)	0,420kg	
CODE	LIGHT SOURCE	WEIGHT																					
<b>M200001</b>	LED 13W 2x5° WARM WHITE 3000K dimmable (Switchdim)	0,420kg																					
<b>M200101</b>	LED 13W 2x5° NEUTRAL WHITE 4000K dimmable (Switchdim)	0,420kg																					
<b>M200201</b>	LED 13W 2x10° WARM WHITE 3000K dimmable (Switchdim)	0,420kg																					
<b>M200301</b>	LED 13W 2x10° NEUTRAL WHITE 4000K dimmable (Switchdim)	0,420kg																					
<b>M200401</b>	LED 13W 2x20° WARM WHITE 3000K dimmable (Switchdim)	0,420kg																					
<b>M200501</b>	LED 13W 2x20° NEUTRAL WHITE 4000K dimmable (Switchdim)	0,420kg																					

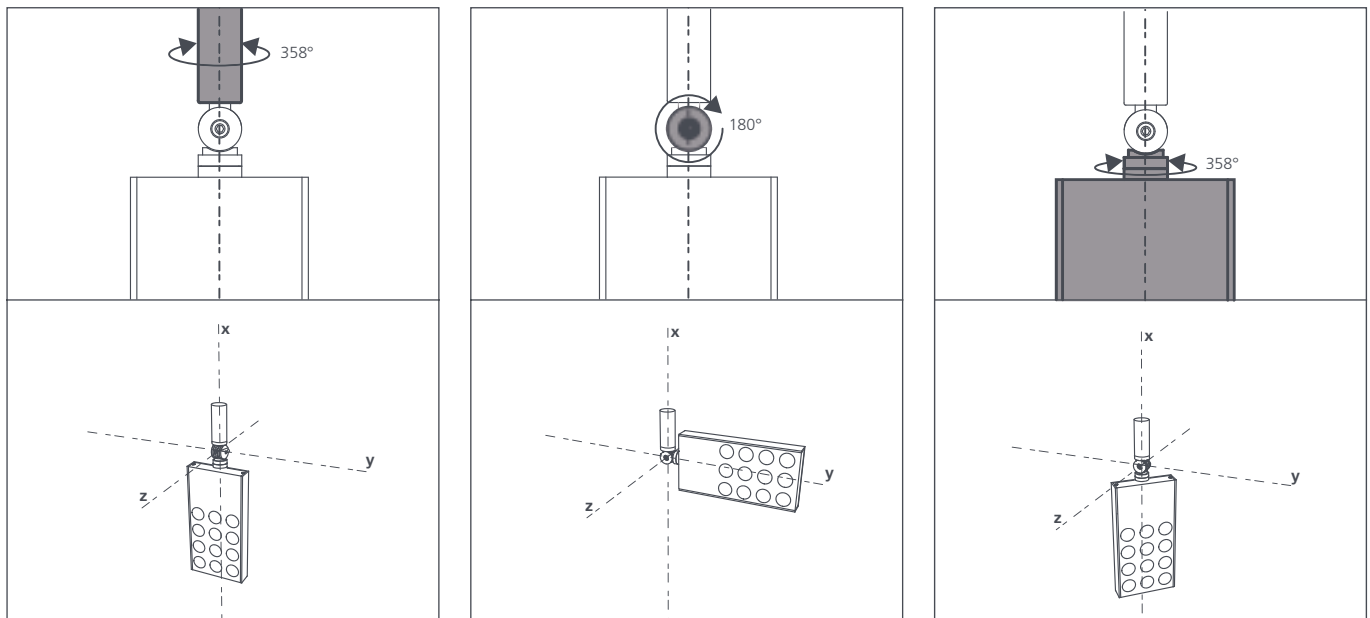
photometric data: see page 415.

## PAD 230V SEMI-RECESSED

																							
			<p>⊕ IP40 650° ○ translucent/bright anodized</p>																				
<p>LED MONOCHROMATIC </p>	<table border="1"> <thead> <tr> <th>CODE</th> <th>LIGHT SOURCE</th> <th>WEIGHT</th> </tr> </thead> <tbody> <tr> <td><b>M200004</b></td> <td>LED 13W 2x5° WARM WHITE 3000K dimmable (Switchdim)</td> <td>0,420kg</td> </tr> <tr> <td><b>M200104</b></td> <td>LED 13W 2x5° NEUTRAL WHITE 4000K dimmable (Switchdim)</td> <td>0,420kg</td> </tr> <tr> <td><b>M200204</b></td> <td>LED 13W 2x10° WARM WHITE 3000K dimmable (Switchdim)</td> <td>0,420kg</td> </tr> <tr> <td><b>M200304</b></td> <td>LED 13W 2x10° NEUTRAL WHITE 4000K dimmable (Switchdim)</td> <td>0,420kg</td> </tr> <tr> <td><b>M200404</b></td> <td>LED 13W 2x20° WARM WHITE 3000K dimmable (Switchdim)</td> <td>0,420kg</td> </tr> <tr> <td><b>M200504</b></td> <td>LED 13W 2x20° NEUTRAL WHITE 4000K dimmable (Switchdim)</td> <td>0,420kg</td> </tr> </tbody> </table> <p>Dimming control via external push-button (not provided).</p>	CODE	LIGHT SOURCE	WEIGHT	<b>M200004</b>	LED 13W 2x5° WARM WHITE 3000K dimmable (Switchdim)	0,420kg	<b>M200104</b>	LED 13W 2x5° NEUTRAL WHITE 4000K dimmable (Switchdim)	0,420kg	<b>M200204</b>	LED 13W 2x10° WARM WHITE 3000K dimmable (Switchdim)	0,420kg	<b>M200304</b>	LED 13W 2x10° NEUTRAL WHITE 4000K dimmable (Switchdim)	0,420kg	<b>M200404</b>	LED 13W 2x20° WARM WHITE 3000K dimmable (Switchdim)	0,420kg	<b>M200504</b>	LED 13W 2x20° NEUTRAL WHITE 4000K dimmable (Switchdim)	0,420kg	
CODE	LIGHT SOURCE	WEIGHT																					
<b>M200004</b>	LED 13W 2x5° WARM WHITE 3000K dimmable (Switchdim)	0,420kg																					
<b>M200104</b>	LED 13W 2x5° NEUTRAL WHITE 4000K dimmable (Switchdim)	0,420kg																					
<b>M200204</b>	LED 13W 2x10° WARM WHITE 3000K dimmable (Switchdim)	0,420kg																					
<b>M200304</b>	LED 13W 2x10° NEUTRAL WHITE 4000K dimmable (Switchdim)	0,420kg																					
<b>M200404</b>	LED 13W 2x20° WARM WHITE 3000K dimmable (Switchdim)	0,420kg																					
<b>M200504</b>	LED 13W 2x20° NEUTRAL WHITE 4000K dimmable (Switchdim)	0,420kg																					

photometric data: see page 415.

## PAD TILT AND ROTATION



# IODO

design M. TRIMARCHI


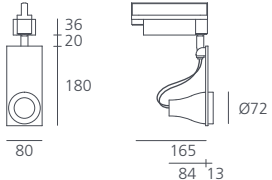




- DIRECTIONAL SPOTLIGHT USING 12V DICHROIC HALOGEN, METAL HALIDE AND 230-240V LED LAMPS.
- INCLUDES THREE-PHASE TRACK ADAPTER AND POWER SUPPLY UNIT WITH INTEGRAL ELECTRONIC CONTROL GEAR.
- DIE-CAST ALUMINIUM BODY.
- FROSTED GLASS DECORATIVE RING.
- TILT ANGLE OF UP TO 70°, ROTATION OF UP TO 355°.
- LAMPS CAN BE MAINTAINED WITHOUT THE NEED FOR TOOLS.
- COMPLIES WITH STANDARD EN60598-1 AND OTHER SPECIFIC STANDARDS.




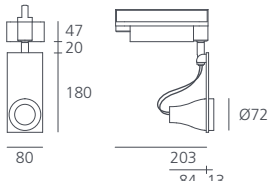




## IODO HALO

				
			<p>□ ▽ IP20 850° ○ white</p>	
			<p>QR-CBC51 (GU5,3) </p>	<p><b>CODE</b>      <b>LIGHT SOURCE</b>      <b>WEIGHT</b></p> <p><b>M023223</b>    QR-CBC51 (GU5,3) 12V max50W    0,95kg</p> <p>Integral electronic transformer, 20-50W, 230-240V/12V. Dimmable by leading or trailing edge external dimmers.</p>


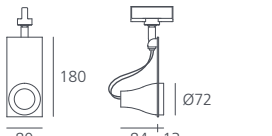


3-circuit tracks: see page 57.

## IODO HIT

				
			<p>⊕ ▽ IP20 850° ○ white</p>	
			<p>HIPAR51-CE-P (GX10) </p>	<p><b>CODE</b>      <b>LIGHT SOURCE</b>      <b>WEIGHT</b></p> <p><b>M023323</b>    HIPAR51-CE-P (GX10) 35W      1,15kg</p> <p>Integral electronic control gear.</p>

3-circuit tracks: see page 57.

## IODO LED

				
			<p>⊕ ▽ IP20 850° ○ white</p>	
			<p>LED (GU10)  max 63mm (overall)</p>	<p><b>CODE</b>      <b>LIGHT SOURCE</b>      <b>WEIGHT</b></p> <p><b>M023423</b>    LED (GU10) 230-240V      0,80kg</p>

3-circuit tracks: see page 57.



ABOVE AND PAGE 32: STUDIO FRAGILE, MILAN (I), FRIDA DOVEIL.

# FOCAL

design S. & R. CORNELISSEN



FOCAL TRACK

- A RANGE OF ADJUSTABLE SPOTLIGHTS USING 12V HALOGEN AND METAL-HALIDE LAMPS.
- 4 OPTIONS AVAILABLE: WITH THREE-PHASE TRACK ADAPTER, WITH BASE PLATE, WALL MOUNTING OR PENDANT.
- DIE-CAST ALUMINIUM BODY WITH A WHITE PAINT FINISH.
- ALUMINIUM OPTICS FOR HIT VERSIONS, WITH CHOICE OF THREE BEAM SPREADS: SPOT, MEDIUM AND FLOOD.
- TILT ANGLE OF UP TO 90°, ROTATION OF UP TO 355°.
- LAMPS CAN BE MAINTAINED WITHOUT THE NEED FOR TOOLS BY A SIMPLE QUARTER TURN ROTATION OF THE LAMP-HOLDING RING.
- HIT VERSION INCLUDES PROTECTIVE GLASS.
- ELECTRONIC CONTROL GEAR.
- WIDE RANGE OF ACCESSORIES.
- DIRECTIONAL HANDLE AS AN OPTIONAL EXTRA.
- COMPLIES WITH STANDARD EN60598-1 AND OTHER SPECIFIC STANDARDS.



FOCAL CEILING


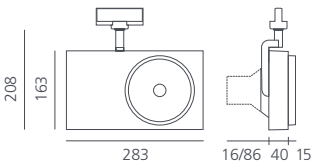








FOCAL SUSPENSION




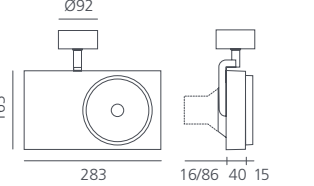
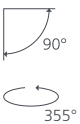





FOCAL WALL

## FOCAL TRACK

																																																	
<p>QR111 (G53) </p> <p>HIR111-CE-P (GX8,5) </p> <p>HIT-CE (G12) </p> <p>HIT-TC-CE (G8,5) </p>	<p>⊕ ⚡ IP20 850°  ○ white</p> <table border="1"> <thead> <tr> <th>CODE</th> <th>LIGHT SOURCE</th> <th>WEIGHT</th> </tr> </thead> <tbody> <tr> <td><b>M027003*</b></td> <td>QR111 (G53) 12V max100W</td> <td>2,40kg</td> </tr> <tr> <td><b>M027103</b></td> <td>HIR111-CE-P (GX8,5) 35W</td> <td>2,50kg</td> </tr> <tr> <td><b>M027203</b></td> <td>HIR111-CE-P (GX8,5) 70W</td> <td>2,50kg</td> </tr> <tr> <td><b>M028203</b></td> <td>HIT-CE (G12) 35W 2x4°</td> <td>2,50kg</td> </tr> <tr> <td><b>M028303</b></td> <td>HIT-CE (G12) 35W 2x10°</td> <td>2,50kg</td> </tr> <tr> <td><b>M028403</b></td> <td>HIT-CE (G12) 35W 2x28°</td> <td>2,50kg</td> </tr> <tr> <td><b>M027903</b></td> <td>HIT-CE (G12) 70W 2x4°</td> <td>2,50kg</td> </tr> <tr> <td><b>M027303</b></td> <td>HIT-CE (G12) 70W 2x10°</td> <td>2,50kg</td> </tr> <tr> <td><b>M027403</b></td> <td>HIT-CE (G12) 70W 2x28°</td> <td>2,50kg</td> </tr> <tr> <td><b>M028003</b></td> <td>HIT-CE (G12) 150W 2x4°</td> <td>2,50kg</td> </tr> <tr> <td><b>M027503</b></td> <td>HIT-CE (G12) 150W 2x10°</td> <td>2,50kg</td> </tr> <tr> <td><b>M027603</b></td> <td>HIT-CE (G12) 150W 2x28°</td> <td>2,50kg</td> </tr> <tr> <td><b>M028103</b></td> <td>HIT-TC-CE (G8,5) 70W 2x4°</td> <td>2,50kg</td> </tr> <tr> <td><b>M027703</b></td> <td>HIT-TC-CE (G8,5) 70W 2x10°</td> <td>2,50kg</td> </tr> <tr> <td><b>M027803</b></td> <td>HIT-TC-CE (G8,5) 70W 2x28°</td> <td>2,50kg</td> </tr> </tbody> </table> <p>*Integral electronic transformer 20-100W, 230-240V/12V. Dimmable by trailing or leading edge external dimmers.</p>	CODE	LIGHT SOURCE	WEIGHT	<b>M027003*</b>	QR111 (G53) 12V max100W	2,40kg	<b>M027103</b>	HIR111-CE-P (GX8,5) 35W	2,50kg	<b>M027203</b>	HIR111-CE-P (GX8,5) 70W	2,50kg	<b>M028203</b>	HIT-CE (G12) 35W 2x4°	2,50kg	<b>M028303</b>	HIT-CE (G12) 35W 2x10°	2,50kg	<b>M028403</b>	HIT-CE (G12) 35W 2x28°	2,50kg	<b>M027903</b>	HIT-CE (G12) 70W 2x4°	2,50kg	<b>M027303</b>	HIT-CE (G12) 70W 2x10°	2,50kg	<b>M027403</b>	HIT-CE (G12) 70W 2x28°	2,50kg	<b>M028003</b>	HIT-CE (G12) 150W 2x4°	2,50kg	<b>M027503</b>	HIT-CE (G12) 150W 2x10°	2,50kg	<b>M027603</b>	HIT-CE (G12) 150W 2x28°	2,50kg	<b>M028103</b>	HIT-TC-CE (G8,5) 70W 2x4°	2,50kg	<b>M027703</b>	HIT-TC-CE (G8,5) 70W 2x10°	2,50kg	<b>M027803</b>	HIT-TC-CE (G8,5) 70W 2x28°	2,50kg
CODE	LIGHT SOURCE	WEIGHT																																															
<b>M027003*</b>	QR111 (G53) 12V max100W	2,40kg																																															
<b>M027103</b>	HIR111-CE-P (GX8,5) 35W	2,50kg																																															
<b>M027203</b>	HIR111-CE-P (GX8,5) 70W	2,50kg																																															
<b>M028203</b>	HIT-CE (G12) 35W 2x4°	2,50kg																																															
<b>M028303</b>	HIT-CE (G12) 35W 2x10°	2,50kg																																															
<b>M028403</b>	HIT-CE (G12) 35W 2x28°	2,50kg																																															
<b>M027903</b>	HIT-CE (G12) 70W 2x4°	2,50kg																																															
<b>M027303</b>	HIT-CE (G12) 70W 2x10°	2,50kg																																															
<b>M027403</b>	HIT-CE (G12) 70W 2x28°	2,50kg																																															
<b>M028003</b>	HIT-CE (G12) 150W 2x4°	2,50kg																																															
<b>M027503</b>	HIT-CE (G12) 150W 2x10°	2,50kg																																															
<b>M027603</b>	HIT-CE (G12) 150W 2x28°	2,50kg																																															
<b>M028103</b>	HIT-TC-CE (G8,5) 70W 2x4°	2,50kg																																															
<b>M027703</b>	HIT-TC-CE (G8,5) 70W 2x10°	2,50kg																																															
<b>M027803</b>	HIT-TC-CE (G8,5) 70W 2x28°	2,50kg																																															


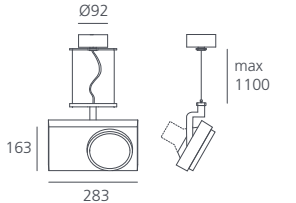









3-circuit tracks: see page 57.  
photometric data: see page 414.

## FOCAL CEILING

																																																	
<p>QR111 (G53) </p> <p>HIR111-CE-P (GX8,5) </p> <p>HIT-CE (G12) </p> <p>HIT-TC-CE (G8,5) </p>	<p>⊕ ⚡ IP20 850°  ○ white</p> <table border="1"> <thead> <tr> <th>CODE</th> <th>LIGHT SOURCE</th> <th>WEIGHT</th> </tr> </thead> <tbody> <tr> <td><b>M027001*</b></td> <td>QR111 (G53) 12V max100W</td> <td>2,40kg</td> </tr> <tr> <td><b>M027101</b></td> <td>HIR111-CE-P (GX8,5) 35W</td> <td>2,50kg</td> </tr> <tr> <td><b>M027201</b></td> <td>HIR111-CE-P (GX8,5) 70W</td> <td>2,50kg</td> </tr> <tr> <td><b>M028201</b></td> <td>HIT-CE (G12) 35W 2x4°</td> <td>2,50kg</td> </tr> <tr> <td><b>M028301</b></td> <td>HIT-CE (G12) 35W 2x10°</td> <td>2,50kg</td> </tr> <tr> <td><b>M028401</b></td> <td>HIT-CE (G12) 35W 2x28°</td> <td>2,50kg</td> </tr> <tr> <td><b>M027901</b></td> <td>HIT-CE (G12) 70W 2x4°</td> <td>2,50kg</td> </tr> <tr> <td><b>M027301</b></td> <td>HIT-CE (G12) 70W 2x10°</td> <td>2,50kg</td> </tr> <tr> <td><b>M027401</b></td> <td>HIT-CE (G12) 70W 2x28°</td> <td>2,50kg</td> </tr> <tr> <td><b>M028001</b></td> <td>HIT-CE (G12) 150W 2x4°</td> <td>2,50kg</td> </tr> <tr> <td><b>M027501</b></td> <td>HIT-CE (G12) 150W 2x10°</td> <td>2,50kg</td> </tr> <tr> <td><b>M027601</b></td> <td>HIT-CE (G12) 150W 2x28°</td> <td>2,50kg</td> </tr> <tr> <td><b>M028101</b></td> <td>HIT-TC-CE (G8,5) 70W 2x4°</td> <td>2,50kg</td> </tr> <tr> <td><b>M027701</b></td> <td>HIT-TC-CE (G8,5) 70W 2x10°</td> <td>2,50kg</td> </tr> <tr> <td><b>M027801</b></td> <td>HIT-TC-CE (G8,5) 70W 2x28°</td> <td>2,50kg</td> </tr> </tbody> </table> <p>*Integral electronic transformer 20-100W, 230-240V/12V. Dimmable by trailing or leading edge external dimmers.</p>	CODE	LIGHT SOURCE	WEIGHT	<b>M027001*</b>	QR111 (G53) 12V max100W	2,40kg	<b>M027101</b>	HIR111-CE-P (GX8,5) 35W	2,50kg	<b>M027201</b>	HIR111-CE-P (GX8,5) 70W	2,50kg	<b>M028201</b>	HIT-CE (G12) 35W 2x4°	2,50kg	<b>M028301</b>	HIT-CE (G12) 35W 2x10°	2,50kg	<b>M028401</b>	HIT-CE (G12) 35W 2x28°	2,50kg	<b>M027901</b>	HIT-CE (G12) 70W 2x4°	2,50kg	<b>M027301</b>	HIT-CE (G12) 70W 2x10°	2,50kg	<b>M027401</b>	HIT-CE (G12) 70W 2x28°	2,50kg	<b>M028001</b>	HIT-CE (G12) 150W 2x4°	2,50kg	<b>M027501</b>	HIT-CE (G12) 150W 2x10°	2,50kg	<b>M027601</b>	HIT-CE (G12) 150W 2x28°	2,50kg	<b>M028101</b>	HIT-TC-CE (G8,5) 70W 2x4°	2,50kg	<b>M027701</b>	HIT-TC-CE (G8,5) 70W 2x10°	2,50kg	<b>M027801</b>	HIT-TC-CE (G8,5) 70W 2x28°	2,50kg
CODE	LIGHT SOURCE	WEIGHT																																															
<b>M027001*</b>	QR111 (G53) 12V max100W	2,40kg																																															
<b>M027101</b>	HIR111-CE-P (GX8,5) 35W	2,50kg																																															
<b>M027201</b>	HIR111-CE-P (GX8,5) 70W	2,50kg																																															
<b>M028201</b>	HIT-CE (G12) 35W 2x4°	2,50kg																																															
<b>M028301</b>	HIT-CE (G12) 35W 2x10°	2,50kg																																															
<b>M028401</b>	HIT-CE (G12) 35W 2x28°	2,50kg																																															
<b>M027901</b>	HIT-CE (G12) 70W 2x4°	2,50kg																																															
<b>M027301</b>	HIT-CE (G12) 70W 2x10°	2,50kg																																															
<b>M027401</b>	HIT-CE (G12) 70W 2x28°	2,50kg																																															
<b>M028001</b>	HIT-CE (G12) 150W 2x4°	2,50kg																																															
<b>M027501</b>	HIT-CE (G12) 150W 2x10°	2,50kg																																															
<b>M027601</b>	HIT-CE (G12) 150W 2x28°	2,50kg																																															
<b>M028101</b>	HIT-TC-CE (G8,5) 70W 2x4°	2,50kg																																															
<b>M027701</b>	HIT-TC-CE (G8,5) 70W 2x10°	2,50kg																																															
<b>M027801</b>	HIT-TC-CE (G8,5) 70W 2x28°	2,50kg																																															


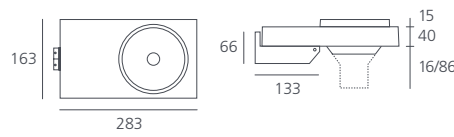









photometric data: see page 414.

## FOCAL SUSPENSION

	 <p>      </p>																														
<p>           QR111 (G53)             HIR111-CE-P (GX8,5)             HIT-CE (G12)             HIT-TC-CE (G8,5)  </p>	<table border="1"> <thead> <tr> <th>CODE</th> <th>LIGHT SOURCE</th> <th>WEIGHT</th> </tr> </thead> <tbody> <tr> <td><b>M176000*</b></td> <td>QR111 (G53) 12V max100W</td> <td>2,50kg</td> </tr> <tr> <td><b>M176100</b></td> <td>HIR111-CE-P (GX8,5) 35W</td> <td>2,60kg</td> </tr> <tr> <td><b>M176200</b></td> <td>HIR111-CE-P (GX8,5) 70W</td> <td>2,60kg</td> </tr> <tr> <td><b>M176300</b></td> <td>HIT-CE (G12) 70W 2x10°</td> <td>2,60kg</td> </tr> <tr> <td><b>M176400</b></td> <td>HIT-CE (G12) 70W 2x28°</td> <td>2,60kg</td> </tr> <tr> <td><b>M176500</b></td> <td>HIT-CE (G12) 150W 2x10°</td> <td>2,60kg</td> </tr> <tr> <td><b>M176600</b></td> <td>HIT-CE (G12) 150W 2x28°</td> <td>2,60kg</td> </tr> <tr> <td><b>M176700</b></td> <td>HIT-TC-CE (G8,5) 70W 2x10°</td> <td>2,60kg</td> </tr> <tr> <td><b>M176800</b></td> <td>HIT-TC-CE (G8,5) 70W 2x28°</td> <td>2,60kg</td> </tr> </tbody> </table> <p>*Integral electronic transformer 20-100W, 230-240V/12V. Dimmable by trailing or leading edge external dimmers.</p>	CODE	LIGHT SOURCE	WEIGHT	<b>M176000*</b>	QR111 (G53) 12V max100W	2,50kg	<b>M176100</b>	HIR111-CE-P (GX8,5) 35W	2,60kg	<b>M176200</b>	HIR111-CE-P (GX8,5) 70W	2,60kg	<b>M176300</b>	HIT-CE (G12) 70W 2x10°	2,60kg	<b>M176400</b>	HIT-CE (G12) 70W 2x28°	2,60kg	<b>M176500</b>	HIT-CE (G12) 150W 2x10°	2,60kg	<b>M176600</b>	HIT-CE (G12) 150W 2x28°	2,60kg	<b>M176700</b>	HIT-TC-CE (G8,5) 70W 2x10°	2,60kg	<b>M176800</b>	HIT-TC-CE (G8,5) 70W 2x28°	2,60kg
CODE	LIGHT SOURCE	WEIGHT																													
<b>M176000*</b>	QR111 (G53) 12V max100W	2,50kg																													
<b>M176100</b>	HIR111-CE-P (GX8,5) 35W	2,60kg																													
<b>M176200</b>	HIR111-CE-P (GX8,5) 70W	2,60kg																													
<b>M176300</b>	HIT-CE (G12) 70W 2x10°	2,60kg																													
<b>M176400</b>	HIT-CE (G12) 70W 2x28°	2,60kg																													
<b>M176500</b>	HIT-CE (G12) 150W 2x10°	2,60kg																													
<b>M176600</b>	HIT-CE (G12) 150W 2x28°	2,60kg																													
<b>M176700</b>	HIT-TC-CE (G8,5) 70W 2x10°	2,60kg																													
<b>M176800</b>	HIT-TC-CE (G8,5) 70W 2x28°	2,60kg																													












photometric data: see page 436.

## FOCAL WALL

	 <p>      </p>																														
<p>           QR111 (G53)             HIR111-CE-P (GX8,5)             HIT-CE (G12)             HIT-TC-CE (G8,5)  </p>	<table border="1"> <thead> <tr> <th>CODE</th> <th>LIGHT SOURCE</th> <th>WEIGHT</th> </tr> </thead> <tbody> <tr> <td><b>M174500*</b></td> <td>QR111 (G53) 12V max100W</td> <td>2,50kg</td> </tr> <tr> <td><b>M174600</b></td> <td>HIR111-CE-P (GX8,5) 35W</td> <td>2,60kg</td> </tr> <tr> <td><b>M174700</b></td> <td>HIR111-CE-P (GX8,5) 70W</td> <td>2,60kg</td> </tr> <tr> <td><b>M174800</b></td> <td>HIT-CE (G12) 70W 2x10°</td> <td>2,60kg</td> </tr> <tr> <td><b>M174900</b></td> <td>HIT-CE (G12) 70W 2x28°</td> <td>2,60kg</td> </tr> <tr> <td><b>M175000</b></td> <td>HIT-CE (G12) 150W 2x10°</td> <td>2,60kg</td> </tr> <tr> <td><b>M175100</b></td> <td>HIT-CE (G12) 150W 2x28°</td> <td>2,60kg</td> </tr> <tr> <td><b>M175200</b></td> <td>HIT-TC-CE (G8,5) 70W 2x10°</td> <td>2,60kg</td> </tr> <tr> <td><b>M175300</b></td> <td>HIT-TC-CE (G8,5) 70W 2x28°</td> <td>2,60kg</td> </tr> </tbody> </table> <p>*Integral electronic transformer 20-100W, 230-240V/12V. Dimmable by trailing or leading edge external dimmers.</p>	CODE	LIGHT SOURCE	WEIGHT	<b>M174500*</b>	QR111 (G53) 12V max100W	2,50kg	<b>M174600</b>	HIR111-CE-P (GX8,5) 35W	2,60kg	<b>M174700</b>	HIR111-CE-P (GX8,5) 70W	2,60kg	<b>M174800</b>	HIT-CE (G12) 70W 2x10°	2,60kg	<b>M174900</b>	HIT-CE (G12) 70W 2x28°	2,60kg	<b>M175000</b>	HIT-CE (G12) 150W 2x10°	2,60kg	<b>M175100</b>	HIT-CE (G12) 150W 2x28°	2,60kg	<b>M175200</b>	HIT-TC-CE (G8,5) 70W 2x10°	2,60kg	<b>M175300</b>	HIT-TC-CE (G8,5) 70W 2x28°	2,60kg
CODE	LIGHT SOURCE	WEIGHT																													
<b>M174500*</b>	QR111 (G53) 12V max100W	2,50kg																													
<b>M174600</b>	HIR111-CE-P (GX8,5) 35W	2,60kg																													
<b>M174700</b>	HIR111-CE-P (GX8,5) 70W	2,60kg																													
<b>M174800</b>	HIT-CE (G12) 70W 2x10°	2,60kg																													
<b>M174900</b>	HIT-CE (G12) 70W 2x28°	2,60kg																													
<b>M175000</b>	HIT-CE (G12) 150W 2x10°	2,60kg																													
<b>M175100</b>	HIT-CE (G12) 150W 2x28°	2,60kg																													
<b>M175200</b>	HIT-TC-CE (G8,5) 70W 2x10°	2,60kg																													
<b>M175300</b>	HIT-TC-CE (G8,5) 70W 2x28°	2,60kg																													

photometric data: see page 436.

## FOCAL ACCESSORIES

	<p><b>M082007</b> Directional handle.</p> <p> grey</p>		<p><b>M082407</b> Accessory-holder + lens for elliptical light distribution.</p> <p> grey</p>
	<p><b>M082207</b> Accessory-holder + UV filter.</p> <p> grey</p>		<p>Accessory-holder + louvre.</p> <p><b>M081907</b> For all versions except FOCAL WALL HIT 150W.</p> <p><b>M082307</b> Only for FOCAL WALL HIT 150W.</p> <p> grey</p>
	<p><b>M082107</b> Accessory-holder + infrared filter.</p> <p> grey</p>		<p><b>M082507</b> Wall washer screen (black).</p>

# OTO

design FOSTER & PARTNERS





- A RANGE OF DIRECTIONAL SPOTLIGHTS USING 12V OR 230/240V HALOGEN AND METAL HALIDE LAMPS.
- WITH THREE-PHASE TRACK ADAPTER.
- ALUMINIUM BODY COMPRISED OF AN OPTICAL AND POWER SUPPLY UNIT.
- OPTICAL UNIT AVAILABLE IN 2 DIAMETER OPTIONS DEPENDING ON THE LIGHT SOURCE: Ø80MM AND Ø130MM.
- ALUMINIUM OPTICS WITH VARIOUS BEAM SPREADS.
- TILT ANGLE OF UP TO 90°, ROTATION OF UP TO 355°.
- ELECTRONIC CONTROL GEAR.
- SAFETY GLASS WITH HIT VERSION.
- WIDE RANGE OF ACCESSORIES.
- COMPLIES WITH STANDARD EN60598-1 AND OTHER SPECIFIC STANDARDS.

BüroRäume  
für morgen  
die Zukunft


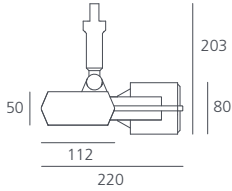













Meister am Werk.


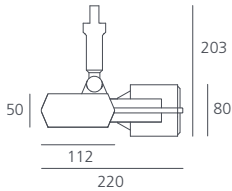










## OTO 80 HALO

											
			     								
QR-CBC51 (GU5,3)  QPAR20 (E27) 	<table border="1"> <thead> <tr> <th>CODE</th> <th>LIGHT SOURCE</th> <th>WEIGHT</th> </tr> </thead> <tbody> <tr> <td><b>L2306.0*</b></td> <td>QR-CBC51 (GU5,3) 12V max50W</td> <td>0,95kg</td> </tr> <tr> <td><b>L2308.0</b></td> <td>QPAR20 (E27) max50W</td> <td>0,80kg</td> </tr> </tbody> </table>	CODE	LIGHT SOURCE	WEIGHT	<b>L2306.0*</b>	QR-CBC51 (GU5,3) 12V max50W	0,95kg	<b>L2308.0</b>	QPAR20 (E27) max50W	0,80kg	
CODE	LIGHT SOURCE	WEIGHT									
<b>L2306.0*</b>	QR-CBC51 (GU5,3) 12V max50W	0,95kg									
<b>L2308.0</b>	QPAR20 (E27) max50W	0,80kg									
*Integral electronic transformer 20-50W, 230-240V/12V. Dimmable by trailing edge external dimmers.											

3-circuit tracks: see page 57.

## OTO 80 HIT

											
			     								
HIT-TC-CE (G8,5) 	<table border="1"> <thead> <tr> <th>CODE</th> <th>LIGHT SOURCE</th> <th>WEIGHT</th> </tr> </thead> <tbody> <tr> <td><b>L2345.0</b></td> <td>HIT-TC-CE (G8,5) 35W 2x10°</td> <td>1,40kg</td> </tr> <tr> <td><b>L2346.0</b></td> <td>HIT-TC-CE (G8,5) 35W 2x17°</td> <td>1,40kg</td> </tr> </tbody> </table>	CODE	LIGHT SOURCE	WEIGHT	<b>L2345.0</b>	HIT-TC-CE (G8,5) 35W 2x10°	1,40kg	<b>L2346.0</b>	HIT-TC-CE (G8,5) 35W 2x17°	1,40kg	
CODE	LIGHT SOURCE	WEIGHT									
<b>L2345.0</b>	HIT-TC-CE (G8,5) 35W 2x10°	1,40kg									
<b>L2346.0</b>	HIT-TC-CE (G8,5) 35W 2x17°	1,40kg									


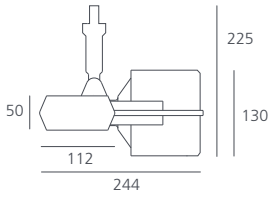






3-circuit tracks: see page 57.  
photometric data: see page 415.

## OTO 80 ACCESSORIES

	<b>L237000</b> Accessory-holder + light-shade grill. Ø80mm.   black		<b>L237600</b> Framing device.   black
	<b>L237100</b> Accessory-holder + adjustable dowser. Ø80mm.   black		Accessory-holder + filter. Ø80mm. <b>L237400</b> UV filter. <b>L237500</b> Infrared filter.
	<b>L237200</b> Accessory-holder + wall washer screen. Ø80mm.   black		Accessory-holder + coloured filter. Ø80mm. <b>L237340</b> Red. <b>L237350</b> Blue. <b>L237360</b> Yellow. <b>L237380</b> Green.


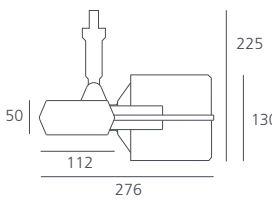
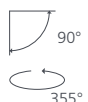






## OTO 130 HALO

											
			  								
QR111 (G53)  QPAR30 (E27) 	<table border="1"> <thead> <tr> <th>CODE</th> <th>LIGHT SOURCE</th> <th>WEIGHT</th> </tr> </thead> <tbody> <tr> <td><b>L2312.0*</b></td> <td>QR111 (G53) 12V max100W</td> <td>1,60kg</td> </tr> <tr> <td><b>L2314.0</b></td> <td>QPAR30 (E27) max75W</td> <td>1,50kg</td> </tr> </tbody> </table>	CODE	LIGHT SOURCE	WEIGHT	<b>L2312.0*</b>	QR111 (G53) 12V max100W	1,60kg	<b>L2314.0</b>	QPAR30 (E27) max75W	1,50kg	*Integral electronic transformer 35-100W, 230-240V/12V. Dimmable by trailing edge external dimmers.
CODE	LIGHT SOURCE	WEIGHT									
<b>L2312.0*</b>	QR111 (G53) 12V max100W	1,60kg									
<b>L2314.0</b>	QPAR30 (E27) max75W	1,50kg									

3-circuit tracks: see page 57.

## OTO 130 HIT

																	
			  														
HIT-CE (G12) 	<table border="1"> <thead> <tr> <th>CODE</th> <th>LIGHT SOURCE</th> <th>WEIGHT</th> </tr> </thead> <tbody> <tr> <td><b>L2352.0</b></td> <td>HIT-CE (G12) 70W 2x15°</td> <td>1,90kg</td> </tr> <tr> <td><b>L2353.0</b></td> <td>HIT-CE (G12) 70W 2x30°</td> <td>1,90kg</td> </tr> <tr> <td><b>L2354.0</b></td> <td>HIT-CE (G12) 150W 2x15°</td> <td>2,40kg</td> </tr> <tr> <td><b>L2355.0</b></td> <td>HIT-CE (G12) 150W 2x30°</td> <td>2,40kg</td> </tr> </tbody> </table>	CODE	LIGHT SOURCE	WEIGHT	<b>L2352.0</b>	HIT-CE (G12) 70W 2x15°	1,90kg	<b>L2353.0</b>	HIT-CE (G12) 70W 2x30°	1,90kg	<b>L2354.0</b>	HIT-CE (G12) 150W 2x15°	2,40kg	<b>L2355.0</b>	HIT-CE (G12) 150W 2x30°	2,40kg	
CODE	LIGHT SOURCE	WEIGHT															
<b>L2352.0</b>	HIT-CE (G12) 70W 2x15°	1,90kg															
<b>L2353.0</b>	HIT-CE (G12) 70W 2x30°	1,90kg															
<b>L2354.0</b>	HIT-CE (G12) 150W 2x15°	2,40kg															
<b>L2355.0</b>	HIT-CE (G12) 150W 2x30°	2,40kg															

3-circuit tracks: see page 57.  
photometric data: see page 415.

## OTO 130 ACCESSORIES

	<b>L238000</b> Accessory-holder + light-shade grill. Ø130mm.   black		<b>L238200</b> Accessory-holder + wall washer screen. Ø130mm.   black
	<b>L238100</b> Accessory-holder + adjustable dowser. Ø130mm.   black		Accessory-holder + filter. Ø130mm. <b>L238400</b> UV filter. <b>L238500</b> Infrared filter.

# ERMES


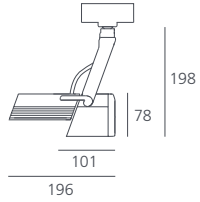




design MICHEL TORTEL



- A RANGE OF DIRECTIONAL SPOTLIGHTS USING 12V HALOGEN AND METAL HALIDE LAMPS.
- 2 OPTIONS AVAILABLE: WITH THREE-PHASE TRACK ADAPTER, AND WITH BASE PLATE.
- ALUMINIUM BODY COMPRISED OF AN OPTICAL AND POWER SUPPLY UNIT.
- OPTICAL UNIT AVAILABLE IN 2 DIAMETER OPTIONS DEPENDING ON THE LIGHT SOURCE: Ø78MM AND Ø155MM.
- TILT ANGLE OF UP TO 90°, ROTATION OF UP TO 355°.
- ELECTRONIC TRANSFORMER. FERROMAGNETIC BALLAST.
- SAFETY GLASS WITH HIT VERSION.
- WIDE RANGE OF ACCESSORIES.
- COMPLIES WITH STANDARD EN60598-1 AND OTHER SPECIFIC STANDARDS.



## ERMES 78


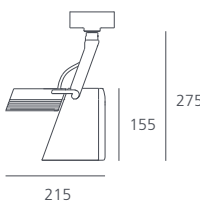




			  IP20 850° <input type="radio"/> white <b>0</b> <input checked="" type="radio"/> metal grey <b>6</b>					
				<table border="1"> <thead> <tr> <th>CODE</th> <th>LIGHT SOURCE</th> <th>VERSION</th> <th>WEIGHT</th> </tr> </thead> <tbody> <tr> <td><b>M0203.3</b></td> <td>QR-CBC51 (GU5,3) 12V max50W</td> <td>3-circuit track adapter</td> <td>1,20kg</td> </tr> </tbody> </table>	CODE	LIGHT SOURCE	VERSION	WEIGHT
CODE	LIGHT SOURCE	VERSION	WEIGHT					
<b>M0203.3</b>	QR-CBC51 (GU5,3) 12V max50W	3-circuit track adapter	1,20kg					
QR-CBC51 (GU5,3) 								
Integral electronic transformer 20-50W, 230-240V/12V. Dimmable by trailing edge external dimmers.								

3-circuit tracks: see page 57.

## ERMES 78 ACCESSORIES

	<b>M08.127</b> Adjustable dowser.  <input type="radio"/> white <b>0</b> <input checked="" type="radio"/> metal grey <b>6</b>		<b>M081147</b> Light-shade grill. Black.
	<b>M08.137</b> Wall washer screen.  <input type="radio"/> white <b>0</b> <input checked="" type="radio"/> metal grey <b>6</b>		Coloured filter. Ø48mm. <b>M080305</b> Yellow. <b>M080315</b> Blue. <b>M080325</b> Red. <b>M080335</b> Green.

## ERMES 155 HALO


			  IP20 850° <input type="radio"/> white <b>0</b> <input checked="" type="radio"/> metal grey <b>6</b>									
				<table border="1"> <thead> <tr> <th>CODE</th> <th>LIGHT SOURCE</th> <th>VERSION</th> <th>WEIGHT</th> </tr> </thead> <tbody> <tr> <td><b>M0204.3</b></td> <td>QR111 (G53) 12V max100W</td> <td>3-circuit track adapter</td> <td>1,50kg</td> </tr> <tr> <td><b>M0204.1</b></td> <td>QR111 (G53) 12V max100W</td> <td>base plate</td> <td>1,50kg</td> </tr> </tbody> </table>	CODE	LIGHT SOURCE	VERSION	WEIGHT	<b>M0204.3</b>	QR111 (G53) 12V max100W	3-circuit track adapter	1,50kg
CODE	LIGHT SOURCE	VERSION	WEIGHT									
<b>M0204.3</b>	QR111 (G53) 12V max100W	3-circuit track adapter	1,50kg									
<b>M0204.1</b>	QR111 (G53) 12V max100W	base plate	1,50kg									
QR111 (G53) 												
Integral electronic transformer 35-100W, 230-240V/12V. Dimmable by trailing edge external dimmers.												

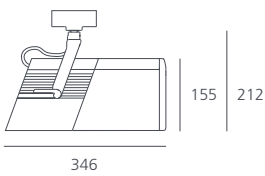
3-circuit tracks: see page 57.




ASTON MARTIN SHOWROOM, PARIS (F), HÉLÈNE AZIZA.  
 PAGE 47: HQ'S TOYOTA MOTORS ITALIA, ROME (I), SHIGERU IWAKIRI - KENZO TANGE ASSOCIATES


# ERMES 155 HIT







⊕ ▽ IP20 850° ○ white **0** ● metal grey **6**

HIT-CE (G12)		CODE	LIGHT SOURCE	VERSION	WEIGHT
		<b>M0590.3</b>	HIT-CE (G12) 70W 2x12°	3-circuit track adapter	3,80kg
		<b>M0590.1</b>	HIT-CE (G12) 70W 2x12°	base plate	3,80kg
		<b>M0594.3</b>	HIT-CE (G12) 150W 2x16°	3-circuit track adapter	4,80kg
		<b>M0594.1</b>	HIT-CE (G12) 150W 2x16°	base plate	4,80kg

3-circuit tracks: see page 57.  
photometric data: see page 414.

## ERMES 155 ACCESSORIES

	<p><b>M081157</b> Anti-dazzle ring. Ø155mm. Black.</p>
	<p><b>M081167</b> Wall washer screen. Ø155mm. Black.</p>

	<p><b>M086835</b> Filter-holder + sanded glass filter. Ø140mm.</p>
---	--



1 DIE-CAST ALLUMINIUM BODY WITH INTEGRAL CONTROL GEAR.  
 2 LIGHT SOURCE.  
 3 SUPER-PURE ALUMINIUM REFLECTOR.  
 4 SAFETY GLASS.  
 5 ALUMINIUM RING HOLDING THE OPTICAL UNIT.

# STARSHIP


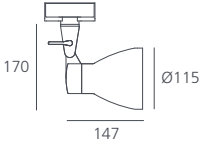



design ALBERTO MEDA - PAOLO RIZZATTO



- A RANGE OF DIRECTIONAL SPOTLIGHTS USING 230/240V HALOGEN LAMPS.
- 2 VERSIONS: WITH THREE-PHASE TRACK ADAPTER OR WITH RECESSED PLATE.
- DIE-CAST ALUMINIUM BODY WITH PAINT FINISH.
- TILT ANGLE OF UP TO 90°, ROTATION OF UP TO 355°.
- COMPLIES WITH STANDARD EN60598-1 AND OTHER SPECIFIC STANDARDS.


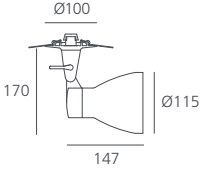
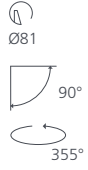


IMAGE SCALE 1:1

## STARSHIP TRACK

			  IP20 <span style="margin-left: 20px;">○ white 2</span> <span style="margin-left: 10px;">● black 3</span> <span style="margin-left: 10px;">● metal grey 9</span>						
				<table border="1"> <thead> <tr> <th>CODE</th> <th>LIGHT SOURCE</th> <th>WEIGHT</th> </tr> </thead> <tbody> <tr> <td>L1625.0</td> <td>QPAR30 (E27) max75W</td> <td>0,60kg</td> </tr> <tr> <td>L1610.0</td> <td>QPAR-CB51 (GZ10) max50W</td> <td>0,60kg</td> </tr> </tbody> </table>	CODE	LIGHT SOURCE	WEIGHT	L1625.0	QPAR30 (E27) max75W
CODE	LIGHT SOURCE	WEIGHT							
L1625.0	QPAR30 (E27) max75W	0,60kg							
L1610.0	QPAR-CB51 (GZ10) max50W	0,60kg							

3-circuit tracks: see page 57.

## STARSHIP SEMI-RECESSED

			  IP20 <span style="margin-left: 20px;">○ white 2</span> <span style="margin-left: 10px;">● black 3</span> <span style="margin-left: 10px;">● metal grey 9</span>			
				<table border="1"> <thead> <tr> <th>CODE</th> <th>LIGHT SOURCE</th> <th>WEIGHT</th> </tr> </thead> <tbody> <tr> <td>L1650.0</td> <td>QPAR30 (E27) max75W</td> <td>0,60kg</td> </tr> </tbody> </table>	CODE	LIGHT SOURCE
CODE	LIGHT SOURCE	WEIGHT				
L1650.0	QPAR30 (E27) max75W	0,60kg				



PUNTI CREDITO FIDITALIA, ROME (I), FRAGILE.

# MINI FLAP SPOT


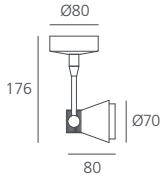
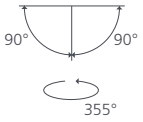

design BRUNO HOUSSIN & ALAIN GIROT




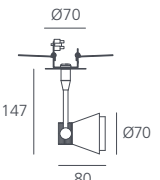
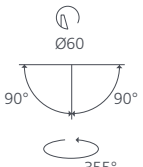




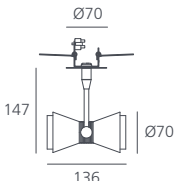
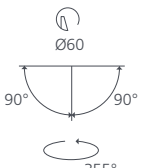

- A RANGE OF DIRECTIONAL SPOTLIGHTS USING 12V DICHOIC HALOGEN, HIPAR51 METAL HALIDE AND 230-240V LED LAMPS.
- 3 OPTIONS AVAILABLE : WITH 3-PHASE TRACK ADAPTER, WITH BASE PLATE OR WITH RECESSED PLATE.
- ALUMINIUM BODY. METAL GREY OR BLACK PAINT FINISH.
- COMPLIES WITH STANDARD EN60598-1 AND OTHER SPECIFIC STANDARDS.

## MINI FLAP SPOT CEILING SURFACE


		
QR-CBC51 (GU5,3) 	<b>CODE</b> <b>LIGHT SOURCE</b> <b>WEIGHT</b>	
	<b>M025161</b> QR-CBC51 (GU5,3) 12V 1xmax50W	0,60kg
Integral electronic transformer 20-50W, 230-240V/12V. Dimmable by trailing edge external dimmers.		

## MINI FLAP SPOT CEILING RECESSED

		
QR-CBC51 (GU5,3) 	<b>CODE</b> <b>LIGHT SOURCE</b> <b>WEIGHT</b>	
	<b>M011764</b> QR-CBC51 (GU5,3) 12V 1xmax50W	0,50kg
Remote transformer.		

		
QR-CBC51 (GU5,3) 	<b>CODE</b> <b>LIGHT SOURCE</b> <b>WEIGHT</b>	
	<b>M011864</b> QR-CBC51 (GU5,3) 12V 2xmax50W	0,65kg
Remote transformer.		


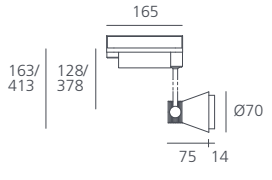
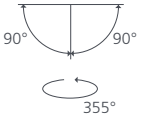

## MINI FLAP SPOT CEILING RECESSED POWER SUPPLY

	Electronic transformer 230-240V/12V. Class II. Dimmable by trailing or leading edge external dimmers.
	<b>M070211</b> 10-60W. 123x32x32mm. <b>M070412</b> 35-105W. 102x51x30mm.


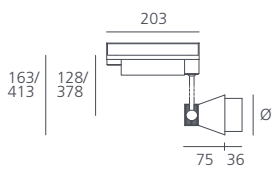
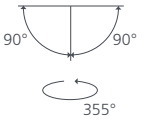



LE PRINTEMPS, DEAUVILLE (F).


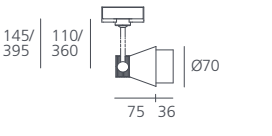
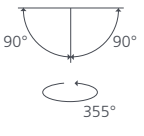

# MINI FLAP SPOT TRACK

														
			□ IP20 ● black 1 ● metal grey 6											
QR-CBC51 (GU5,3) 	<table border="1"> <thead> <tr> <th>CODE</th> <th>LIGHT SOURCE</th> <th>ROD HEIGHT</th> <th>WEIGHT</th> </tr> </thead> <tbody> <tr> <td><b>M0120.3</b></td> <td>QR-CBC51 (GU5,3) 12V 1xmax50W</td> <td>70mm</td> <td>0,70kg</td> </tr> <tr> <td><b>M0121.3</b></td> <td>QR-CBC51 (GU5,3) 12V 1xmax50W</td> <td>300mm</td> <td>0,80kg</td> </tr> </tbody> </table> Integral electronic transformer 20-50W. Dimmable by leading or trailing edge external dimmers.	CODE	LIGHT SOURCE	ROD HEIGHT	WEIGHT	<b>M0120.3</b>	QR-CBC51 (GU5,3) 12V 1xmax50W	70mm	0,70kg	<b>M0121.3</b>	QR-CBC51 (GU5,3) 12V 1xmax50W	300mm	0,80kg	
CODE	LIGHT SOURCE	ROD HEIGHT	WEIGHT											
<b>M0120.3</b>	QR-CBC51 (GU5,3) 12V 1xmax50W	70mm	0,70kg											
<b>M0121.3</b>	QR-CBC51 (GU5,3) 12V 1xmax50W	300mm	0,80kg											

3-circuit tracks: see page 57.

														
			⊕ IP20 ● black 1 ● metal grey 6											
HIPAR51-CE-P (GX10) 	<table border="1"> <thead> <tr> <th>CODE</th> <th>LIGHT SOURCE</th> <th>ROD HEIGHT</th> <th>WEIGHT</th> </tr> </thead> <tbody> <tr> <td><b>M0122.3</b></td> <td>HIPAR51-CE-P (GX10) 1x35W</td> <td>70mm</td> <td>0,90kg</td> </tr> <tr> <td><b>M0123.3</b></td> <td>HIPAR51-CE-P (GX10) 1x35W</td> <td>300mm</td> <td>1,00kg</td> </tr> </tbody> </table> Integral electronic ballast HIT 35W.	CODE	LIGHT SOURCE	ROD HEIGHT	WEIGHT	<b>M0122.3</b>	HIPAR51-CE-P (GX10) 1x35W	70mm	0,90kg	<b>M0123.3</b>	HIPAR51-CE-P (GX10) 1x35W	300mm	1,00kg	
CODE	LIGHT SOURCE	ROD HEIGHT	WEIGHT											
<b>M0122.3</b>	HIPAR51-CE-P (GX10) 1x35W	70mm	0,90kg											
<b>M0123.3</b>	HIPAR51-CE-P (GX10) 1x35W	300mm	1,00kg											

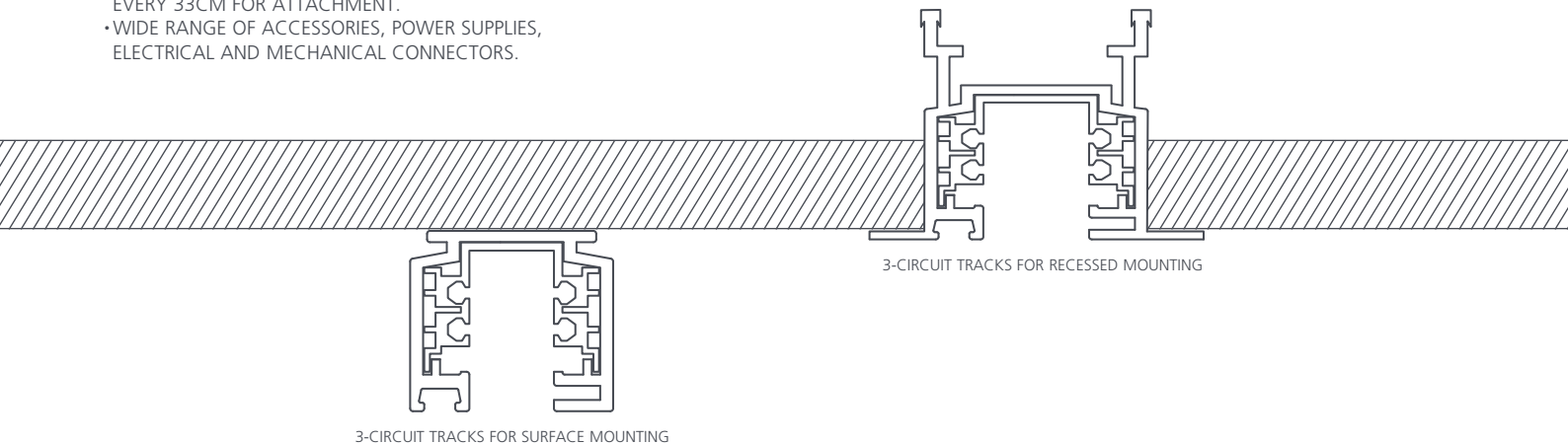
3-circuit tracks: see page 57.

														
			⊕ ⊖ IP20 ● black 1 ● metal grey 6											
LED (GU10)  max 63mm (overall)	<table border="1"> <thead> <tr> <th>CODE</th> <th>LIGHT SOURCE</th> <th>ROD HEIGHT</th> <th>WEIGHT</th> </tr> </thead> <tbody> <tr> <td><b>M0113.3</b></td> <td>LED (GU10) 230-240V</td> <td>70mm</td> <td>0,50kg</td> </tr> <tr> <td><b>M0114.3</b></td> <td>LED (GU10) 230-240V</td> <td>300mm</td> <td>0,50kg</td> </tr> </tbody> </table>	CODE	LIGHT SOURCE	ROD HEIGHT	WEIGHT	<b>M0113.3</b>	LED (GU10) 230-240V	70mm	0,50kg	<b>M0114.3</b>	LED (GU10) 230-240V	300mm	0,50kg	
CODE	LIGHT SOURCE	ROD HEIGHT	WEIGHT											
<b>M0113.3</b>	LED (GU10) 230-240V	70mm	0,50kg											
<b>M0114.3</b>	LED (GU10) 230-240V	300mm	0,50kg											

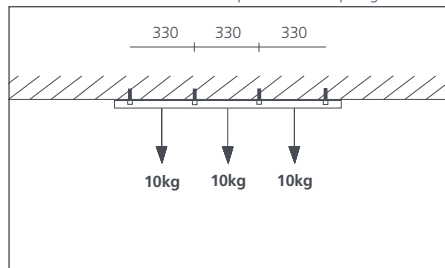
3-circuit tracks: see page 57.

# 3-CIRCUIT TRACKS

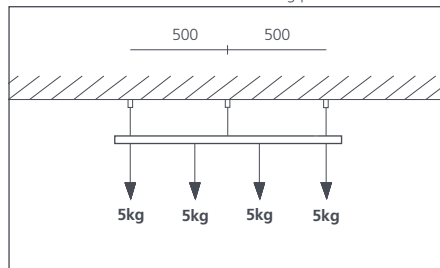
- THREE-PHASE TRACKS FOR SURFACE CEILING OR PENDANT MOUNTING, AND FOR RECESSED INSTALLATION.
- EXTRUDED ALUMINIUM PROFILE WITH WHITE, BLACK OR ALUMINIUM FINISH.
- AVAILABLE IN LENGTHS OF UP TO 4000MM, CAN BE CUT ON SITE TO THE REQUIRED LENGTH.
- 2 VERSION: **STANDARD** WITH 5 CONDUCTORS (1 EARTH, 1 NEUTRAL, 3 PHASES) EACH WITH A SECTION OF 2.5MM<sup>2</sup>, OR **DALI** WITH 2 ADDITIONAL CONDUCTORS OFFERING THE POSSIBILITY TO CONTROL LUMINAIRES FITTED WITH DIMMABLE OR SWITCHABLE DALI CONTROL GEAR.
- MAXIMUM INTENSITY: 16A ACROSS ALL 3 CIRCUITS.
- SURFACE TRACK COMES WITH PRE-CUT OPENINGS EVERY 33CM FOR ATTACHMENT.
- WIDE RANGE OF ACCESSORIES, POWER SUPPLIES, ELECTRICAL AND MECHANICAL CONNECTORS.



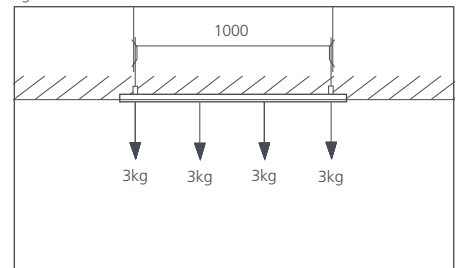
MAXIMUM MECHANICAL LOAD permitted for spotlights or other loads in relation with the number of fixing points. It includes the weight of the track.



3-CIRCUIT TRACK FOR SURFACE MOUNTING with fixing points every 0,33m.

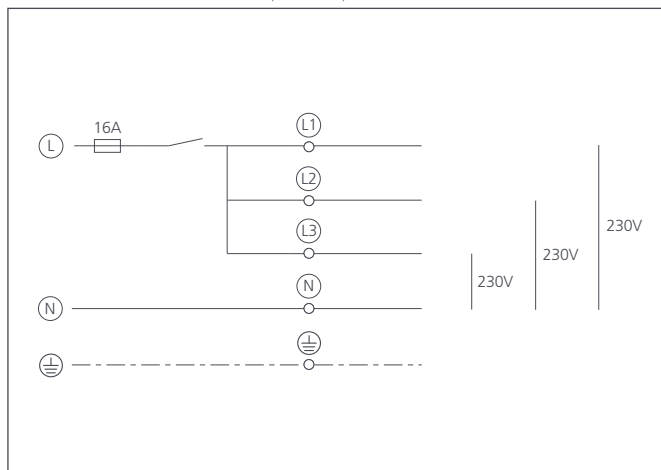


3-CIRCUIT TRACK FOR PENDANT MOUNTING with suspension points every 0,5m. (Also applies to recessed mounted tracks).



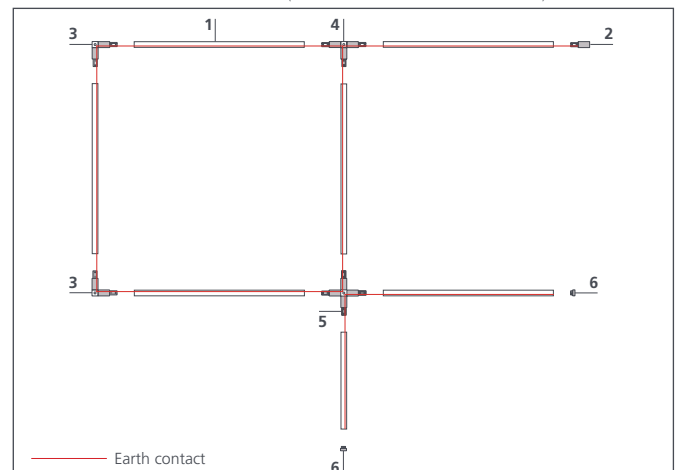
3-CIRCUIT TRACK FOR RECESSED MOUNTING with suspension points every 1m. (Also applies to pendant mounted tracks).

ELECTRICAL CONNECTION FOR 230V (220-240V) ALTERNATING CURRENT.




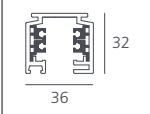
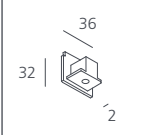
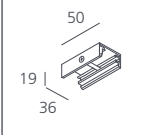
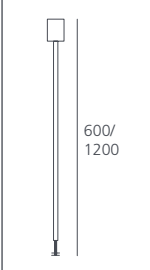
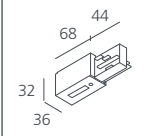
Maximum load: 3600W (max 16A total).  
Load can be distributed over the three circuits at will.  
Fuse: 1x16A.  
Supply cable: min 3x1,5mm<sup>2</sup> - max 3x2,5mm<sup>2</sup>.

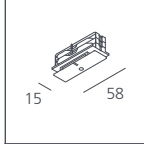
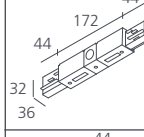
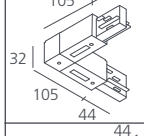
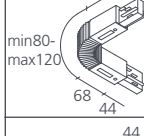
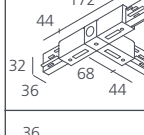
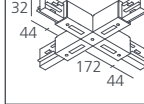
PLANNING AID FOR EARTH CONTACTS (TRACK LAYOUT SEEN FROM ABOVE).




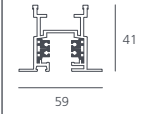

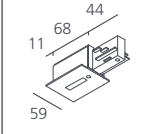
1 3-circuit track standard. 4 T-coupler, earth contact left (L1718.0).  
2 Live end, earth contact left (L1706.0). 5 X-coupler (L1714.0).  
3 L-coupler, earth contact inside (L1711.0). 6 End cap (L1716.0).

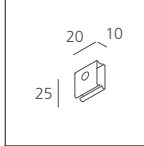
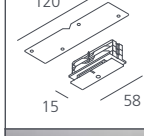

### 3-CIRCUIT TRACKS FOR SURFACE MOUNTING

	Track. STANDARD DALI L1700.0 L1700.1 1000mm. 1,00kg. L1701.0 L1701.1 2000mm. 2,00kg. L1702.0 L1702.1 3000mm. 3,00kg. L1703.0 L1703.1 4000mm. 4,00kg.
	<input type="radio"/> white 2 <input type="radio"/> black 3 <input type="radio"/> aluminium 7
	L1716.0 End cap. <input type="radio"/> white 2 <input type="radio"/> black 3 <input type="radio"/> aluminium 7
	L1717.0 Pendant clip for steel cables or pendant rod. <input type="radio"/> white 2 <input type="radio"/> black 3 <input type="radio"/> aluminium 7
	Pendant rod Ø13mm. Can be cut on site. To be used with pendant clip L1717.0 or with pendant coupler (on request). L1704.0 600mm. L1705.0 1200mm. <input type="radio"/> white 2 <input type="radio"/> black 3
	Live end. STANDARD DALI L1706.0 L1706.1 Earth contact left. L1707.0 L1707.1 Earth contact right. <input type="radio"/> white 2 <input type="radio"/> black 3 <input type="radio"/> aluminium 7


	Electrical straight coupler (recessed). STANDARD DALI L1709.0 L1709.1 <input type="radio"/> white 2 <input type="radio"/> black 3 <input type="radio"/> aluminium 7
	Electrical linear coupler. STANDARD DALI L1710.0 L1710.1 <input type="radio"/> white 2 <input type="radio"/> black 3 <input type="radio"/> aluminium 7
	Electrical L-coupler. STANDARD DALI L1711.0 L1711.1 Earth contact inside. L1712.0 L1712.1 Earth contact outside. <input type="radio"/> white 2 <input type="radio"/> black 3 <input type="radio"/> aluminium 7
	Electrical flexible coupler. STANDARD DALI L1715.0 L1715.1 <input type="radio"/> white 2 <input type="radio"/> black 3
	Electrical T-coupler. STANDARD DALI L1718.0 L1718.1 Earth contact left. L1713.0 L1713.1 Earth contact right. <input type="radio"/> white 2 <input type="radio"/> black 3 <input type="radio"/> aluminium 7
	Electrical X-coupler. STANDARD DALI L1714.0 L1714.1 <input type="radio"/> white 2 <input type="radio"/> black 3 <input type="radio"/> aluminium 7

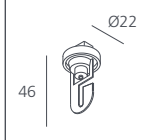
### 3-CIRCUIT TRACKS FOR RECESSED MOUNTING

	Track. STANDARD DALI L1726.0 L1726.1 2000mm. 2,30kg. L1727.0 L1727.1 3000mm. 3,50kg. L1728.0 L1728.1 4000mm. 4,60kg.
	<input type="radio"/> white
	L1733.0 End cap. <input type="radio"/> white
	Live end. STANDARD DALI L1764.0 L1764.1 Earth contact left. L1765.0 L1765.1 Earth contact right.

	L1734.0 Profile snap hanger, for tension grip (6 pcs).
	Electrical and mechanical straight coupler. STANDARD DALI L1732.0 L1732.1 <input type="radio"/> white
	L1735.0 Concealed live end recessed. Comes complete with end cap, connector, cable set (300mm), terminal box (h 125mm) and connection blocks. 4,60kg. <input type="radio"/> white

### 3-CIRCUIT TRACKS ACCESSORIES

	Universal track adapter 230/240V-16A. STANDARD DALI L1720.0 L1720.1 <input type="radio"/> white 2 <input type="radio"/> black 3
---	--

	L1734.0 Mechanical universal hook. Maximum load: 10kg. <input type="radio"/> white 2 <input type="radio"/> black 3
---	--

# JAVA





# JAVA



## JAVA 158

- A RANGE OF ADJUSTABLE DOWNLIGHTS USING 12V DICHROIC HALOGEN, HIPAR51 METAL HALIDE AND 230-240V LED LAMPS.
- EACH SPOTLIGHT MAY BE ADJUSTED BY UP TO 30° IN ALL DIRECTIONS.
- REMOTE CONTROL GEAR.

## JAVA 180

- A RANGE OF ADJUSTABLE DOWNLIGHTS USING 12V QR111 HALOGEN AND HIR111 METAL HALIDE LAMPS.
- TILT ANGLE RANGES FROM -20° TO +70°.
- ROTATION OF UP TO 355°.
- REMOTE CONTROL GEAR.

## JAVA 208

- A RANGE OF ADJUSTABLE DOWNLIGHTS USING HIT G12 LAMPS.
- TILT ANGLE OF UP TO 40°. ROTATION OF UP TO 355°.
- INCLUDES PROTECTIVE GLASS.
- REMOTE CONTROL GEAR.

## JAVA II

- A RANGE OF FIXED DOWNLIGHTS USING 12V DICHROIC HALOGEN, HIPAR51 METAL HALIDE AND 230-240V LED LAMPS.
- 2 LIGHTING OPTIONS AVAILABLE: DOWNLIGHTING (VERTICAL) AND WALL WASHER LIGHTING (30°).
- STEEL FRAME AND SPRINGS ALLOWS AN INSTALLATION IN NEARLY ALL CEILING TYPES.
- REMOTE CONTROL GEAR.

## JAVA WALL WASHER

- FIXED LUMINAIRE WITH WALL WASHER LIGHTING USING 24W T16 FLUORESCENT LAMPS.
- ASYMMETRIC ALUMINIUM REFLECTOR.
- ELECTRONIC CONTROL GEAR.

## JAVA LINEAR SYSTEM FLUORESCENT

- MODULAR SYSTEM FOR T16 FLUORESCENT LAMPS, TO BE INSTALLED IN A CONTINUOUS LINE OR AS SINGLE LUMINAIRES.
- 3 LIGHTING OPTIONS: DARK LIGHT EMISSION (WITH OPTIC MADE OF SUPER PURE ALUMINIUM) DIFFUSING (WITH OPALINE POLYCARBONATE DIFFUSER), AND WALL WASHER (WITH ALUMINIUM ASYMMETRICAL REFLECTOR).
- DARK LIGHT EMISSION IS IN COMPLIANCE WITH EN12464-1 STANDARD, WITH AVERAGE LUMINANCE LEVELS LOWER THAN THE 1000 CD/M<sup>2</sup> LIMIT FOR AN OBSERVATION ANGLE OF 65° OR ABOVE WITH RESPECT TO THE VERTICAL AXIS. LIGHT OUTPUT RATIO: 64%.
- DIFFUSING VERSION IS DESIGNED WITH MOVABLE LAMP HOLDERS ENABLING THE OVERLAPPING OF LAMPS AS TO GUARANTEE UNIFORM DIFFUSION WITHOUT SHADOWS.
- ELECTRONIC BALLAST WITH OR WITHOUT DIMMING.
- END CAPS TO BE ORDERED SEPARATELY.

## JAVA LINEAR SYSTEM MULTISPOT

- SPOTLIGHTING SYSTEM CONSISTING OF A RECESSED STRUCTURE AVAILABLE IN 2 SIZE OPTIONS, AND LIGHTING MODULES WITH 3 INTEGRAL SPOTLIGHTS USING 12V HALOGEN AND METAL HALIDE LAMPS.
- EACH SPOTLIGHT MAY BE ADJUSTED BY UP TO 30° IN ALL DIRECTIONS.
- COMBINATION WITH JAVA LINEAR SYSTEM DIFFUSER AND DARK LIGHT VERSIONS POSSIBLE BY MEANS OF AN INTERMEDIATE CONNECTOR TO BE ORDERED SEPARATELY.
- REMOTE CONTROL GEAR.
- COMPLIES WITH STANDARD EN60598-1 AND OTHER SPECIFIC STANDARDS.

## JAVA 158



SQUARE 1 LAMP  
QR-CBC51 (GU5,3)  
HIPAR51-CE-P (GX10)  
LED (GU10)



RECTANGULAR 2 LAMPS  
QR-CBC51 (GU5,3)  
HIPAR51-CE-P (GX10)  
LED (GU10)



RECTANGULAR 3 LAMPS  
QR-CBC51 (GU5,3)  
HIPAR51-CE-P (GX10)  
LED (GU10)



RECTANGULAR 4 LAMPS  
QR-CBC51 (GU5,3)  
HIPAR51-CE-P (GX10)  
LED (GU10)



SQUARE 4 LAMPS  
QR-CBC51 (GU5,3)  
HIPAR51-CE-P (GX10)  
LED (GU10)

## JAVA 180



SQUARE 1 LAMP  
QR111 (G53)  
HIR111-CE-P (GX8,5)



RECTANGULAR 2 LAMPS  
QR111 (G53)  
HIR111-CE-P (GX8,5)



RECTANGULAR 3 LAMPS  
QR111 (G53)  
HIR111-CE-P (GX8,5)



RECTANGULAR 4 LAMPS  
QR111 (G53)  
HIR111-CE-P (GX8,5)



SQUARE 4 LAMPS  
QR111 (G53)  
HIR111-CE-P (GX8,5)

## JAVA 208



SQUARE LAMP  
HIT-CE (G12)



RECTANGULAR 2 LAMPS  
HIT-CE (G12)

## JAVA II



DOWNLIGHT  
QR-CBC51 (GU5,3)  
HIPAR51-CE-P (GX10)  
LED (GU10)



WALL WASHER  
QR-CBC51 (GU5,3)  
HIPAR51-CE-P (GX10)  
LED (GU10)

## JAVA LINEAR SYSTEM



MULTISPOT  
QR-CBC51 (GU5,3)  
HIPAR51-CE-P (GX10)



DARK LIGHT  
T16 (G5)



DIFFUSER  
T16 (G5)




WALL WASHER  
T16 (G5)


## JAVA WALL WASHER



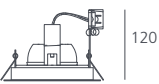
T16 (G5)

# JAVA 158






118  
158







120

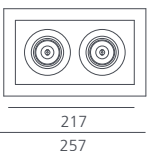


138x138  
30°  
355°

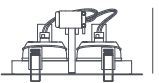
IP20 960° ● grey

		CODE	LIGHT SOURCE	CLASS	WEIGHT
QR-CBC51 (GU5,3) 		<b>M048215</b>	QR-CBC51 (GU5,3) 12V 1xmax50W	◆	0,60kg
HIPAR51-CE-P (GX10) 		<b>M048275</b>	HIPAR51-CE-P (GX10) 1xmax35W	□	0,60kg
LED 		<b>M043115</b>	LED (GU10) 230-240V	□	0,60kg






217  
257







120

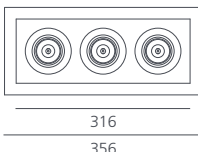


237x138  
30°  
355°

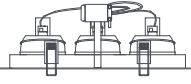
IP20 960° ● grey

		CODE	LIGHT SOURCE	CLASS	WEIGHT
QR-CBC51 (GU5,3) 		<b>M048315</b>	QR-CBC51 (GU5,3) 12V 2xmax50W	◆	0,90kg
HIPAR51-CE-P (GX10) 		<b>M048375</b>	HIPAR51-CE-P (GX10) 2xmax35W	□	0,90kg
LED 		<b>M043215</b>	LED (GU10) 230-240V	□	0,90kg






316  
356







120

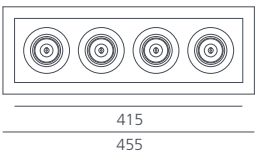


336x138  
30°  
355°

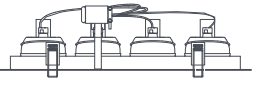
IP20 960° ● grey

		CODE	LIGHT SOURCE	CLASS	WEIGHT
QR-CBC51 (GU5,3) 		<b>M048415</b>	QR-CBC51 (GU5,3) 12V 3xmax50W	◆	1,30kg
HIPAR51-CE-P (GX10) 		<b>M048475</b>	HIPAR51-CE-P (GX10) 3xmax35W	□	1,30kg
LED (GU10) 		<b>M043315</b>	LED (GU10) 230-240V	□	1,30kg






415  
455






120


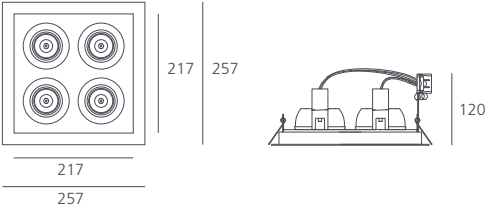


















435x138  
30°  
355°


IP20 960° ● grey


		CODE	LIGHT SOURCE	CLASS	WEIGHT
QR-CBC51 (GU5,3) 		<b>M048515</b>	QR-CBC51 (GU5,3) 12V 4xmax50W	◆	1,60kg
HIPAR51-CE-P (GX10) 		<b>M048575</b>	HIPAR51-CE-P (GX10) 4xmax35W	□	1,60kg
LED (GU10) 		<b>M043415</b>	LED (GU10) 230-240V	□	1,60kg

## JAVA 158

																		
			 IP20  960°  grey															
QR-CBC51 (GU5,3)  HIPAR51-CE-P (GX10)  LED (GU10) 	<table border="1"> <thead> <tr> <th>CODE</th> <th>LIGHT SOURCE</th> <th>CLASS</th> <th>WEIGHT</th> </tr> </thead> <tbody> <tr> <td><b>M048615</b></td> <td>QR-CBC51 (GU5,3) 12V 4xmax50W</td> <td></td> <td>1,60kg</td> </tr> <tr> <td><b>M048675</b></td> <td>HIPAR51-CE-P (GX10) 4xmax35W</td> <td></td> <td>1,60kg</td> </tr> <tr> <td><b>M043515</b></td> <td>LED (GU10) 230-240V</td> <td></td> <td>1,60kg</td> </tr> </tbody> </table>	CODE	LIGHT SOURCE	CLASS	WEIGHT	<b>M048615</b>	QR-CBC51 (GU5,3) 12V 4xmax50W		1,60kg	<b>M048675</b>	HIPAR51-CE-P (GX10) 4xmax35W		1,60kg	<b>M043515</b>	LED (GU10) 230-240V		1,60kg	
CODE	LIGHT SOURCE	CLASS	WEIGHT															
<b>M048615</b>	QR-CBC51 (GU5,3) 12V 4xmax50W		1,60kg															
<b>M048675</b>	HIPAR51-CE-P (GX10) 4xmax35W		1,60kg															
<b>M043515</b>	LED (GU10) 230-240V		1,60kg															

## JAVA 158 CONTROL GEARS



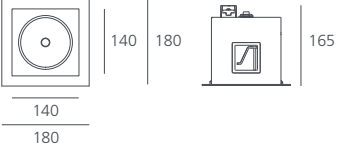
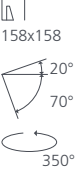






	Electronic transformer 230-240V/12V. Class II. Dimmable by trailing or leading edge external dimmers.
	<b>M070211</b> 10-60W. 123x32x23mm.
	<b>M070412</b> 35-105W. 102x51x30mm.
	<b>M072111</b> 35-150W. 190x38x34mm.



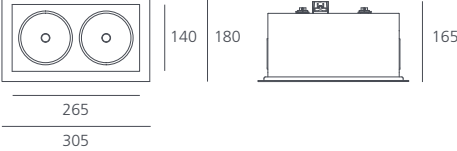







	Electronic ballast 230-240V. Class I.
	<b>M070322</b> HIT 1x35W. 155x83x32mm. <b>M070422</b> HIT 2x35W. 180x80x34mm.





















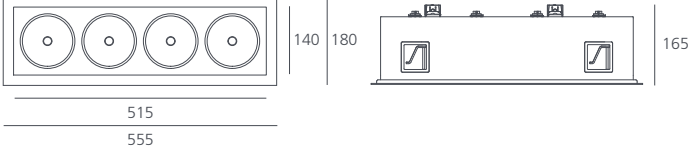
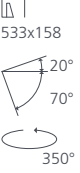






DEVRED, PARIS (F), DESGRIPPES GOBE/GIZARD.  
 PAGE 58-59: ROBERTO CAVALLI HQ'S & SHOWROOM, MILAN (I), ROBERTO CAVALLI A&DD/  
 HEAD ARCHITECT BARBARA PICCIOLO.

# JAVA 180


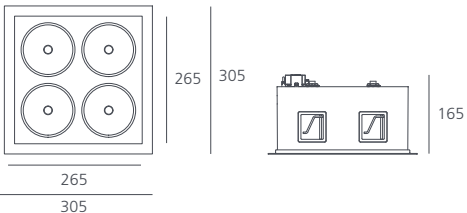









				IP20 960°  ● grey								
					<table border="1"> <thead> <tr> <th>CODE</th> <th>LIGHT SOURCE</th> <th>CLASS</th> <th>WEIGHT</th> </tr> </thead> <tbody> <tr> <td><b>M049265</b></td> <td>QR111 (G53) 12V 1xmax100W</td> <td></td> <td>1,20kg</td> </tr> <tr> <td><b>M049255</b></td> <td>HIR111-CE-P (GX8,5) 1xmax70W</td> <td></td> <td>1,20kg</td> </tr> </tbody> </table>	CODE	LIGHT SOURCE	CLASS	WEIGHT	<b>M049265</b>	QR111 (G53) 12V 1xmax100W	
CODE	LIGHT SOURCE	CLASS	WEIGHT									
<b>M049265</b>	QR111 (G53) 12V 1xmax100W		1,20kg									
<b>M049255</b>	HIR111-CE-P (GX8,5) 1xmax70W		1,20kg									

				IP20 960°  ● grey								
					<table border="1"> <thead> <tr> <th>CODE</th> <th>LIGHT SOURCE</th> <th>CLASS</th> <th>WEIGHT</th> </tr> </thead> <tbody> <tr> <td><b>M049365</b></td> <td>QR111 (G53) 12V 2xmax100W</td> <td></td> <td>1,90kg</td> </tr> <tr> <td><b>M049355</b></td> <td>HIR111-CE-P (GX8,5) 2xmax70W</td> <td></td> <td>1,90kg</td> </tr> </tbody> </table>	CODE	LIGHT SOURCE	CLASS	WEIGHT	<b>M049365</b>	QR111 (G53) 12V 2xmax100W	
CODE	LIGHT SOURCE	CLASS	WEIGHT									
<b>M049365</b>	QR111 (G53) 12V 2xmax100W		1,90kg									
<b>M049355</b>	HIR111-CE-P (GX8,5) 2xmax70W		1,90kg									

				IP20 960°  ● grey																
					<table border="1"> <thead> <tr> <th>CODE</th> <th>LIGHT SOURCE</th> <th>CLASS</th> <th>WEIGHT</th> </tr> </thead> <tbody> <tr> <td><b>M049465</b></td> <td>QR111 (G53) 12V 3xmax100W</td> <td></td> <td>2,50kg</td> </tr> <tr> <td><b>M049455</b></td> <td>HIR111-CE-P (GX8,5) 3xmax70W</td> <td></td> <td>2,50kg</td> </tr> <tr> <td><b>M049865</b></td> <td>QR111 (G53) 12V 2xmax100W + HIR111-CE-P (GX8,5) 1xmax70W</td> <td></td> <td>2,50kg</td> </tr> <tr> <td><b>M049965</b></td> <td>QR111 (G53) 12V 1xmax100W + HIR111-CE-P (GX8,5) 2xmax70W</td> <td></td> <td>2,50kg</td> </tr> </tbody> </table>	CODE	LIGHT SOURCE	CLASS	WEIGHT	<b>M049465</b>	QR111 (G53) 12V 3xmax100W		2,50kg	<b>M049455</b>	HIR111-CE-P (GX8,5) 3xmax70W		2,50kg	<b>M049865</b>	QR111 (G53) 12V 2xmax100W + HIR111-CE-P (GX8,5) 1xmax70W	
CODE	LIGHT SOURCE	CLASS	WEIGHT																	
<b>M049465</b>	QR111 (G53) 12V 3xmax100W		2,50kg																	
<b>M049455</b>	HIR111-CE-P (GX8,5) 3xmax70W		2,50kg																	
<b>M049865</b>	QR111 (G53) 12V 2xmax100W + HIR111-CE-P (GX8,5) 1xmax70W		2,50kg																	
<b>M049965</b>	QR111 (G53) 12V 1xmax100W + HIR111-CE-P (GX8,5) 2xmax70W		2,50kg																	

				IP20 960°  ● grey								
					<table border="1"> <thead> <tr> <th>CODE</th> <th>LIGHT SOURCE</th> <th>CLASS</th> <th>WEIGHT</th> </tr> </thead> <tbody> <tr> <td><b>M049565</b></td> <td>QR111 (G53) 12V 4xmax100W</td> <td></td> <td>3,20kg</td> </tr> <tr> <td><b>M049555</b></td> <td>HIR111-CE-P (GX8,5) 4xmax70W</td> <td></td> <td>3,20kg</td> </tr> </tbody> </table>	CODE	LIGHT SOURCE	CLASS	WEIGHT	<b>M049565</b>	QR111 (G53) 12V 4xmax100W	
CODE	LIGHT SOURCE	CLASS	WEIGHT									
<b>M049565</b>	QR111 (G53) 12V 4xmax100W		3,20kg									
<b>M049555</b>	HIR111-CE-P (GX8,5) 4xmax70W		3,20kg									

## JAVA 180

				
				
 IP20 960°  ● grey		<b>CODE</b> <b>LIGHT SOURCE</b> <b>CLASS</b> <b>WEIGHT</b>		
QR111 (G53) 	<b>M049665</b>	QR111 (G53) 12V 4xmax100W		2,90kg
HIR111-CE-P (GX8,5) 	<b>M049655</b>	HIR111-CE-P (GX8,5) 4xmax70W		2,90kg


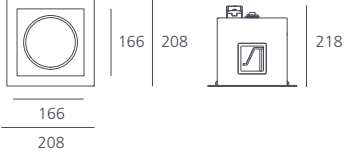




## JAVA 180 CONTROL GEARS

	<p>Electronic transformer 230-240V/12V. Class II. Dimmable by trailing or leading edge external dimmers.</p> <p><b>M070211</b> 10-60W. 123x32x23mm.</p> <p><b>M070412</b> 35-105W. 102x51x30mm.</p> <p><b>M072111</b> 35-150W. 190x38x34mm.</p>		<p>Electronic ballast 230-240V. Class I.</p> <p><b>M070322</b> HIT 1x35W. 155x83x32mm.</p> <p><b>M070422</b> HIT 2x35W. 180x80x34mm.</p> <p><b>M070522</b> HIT 1x70W. 150x80x35mm.</p>


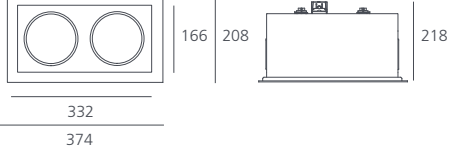






AUDI, GLASGOW (GB), SDA ARCHITECTS.

## JAVA 208


														
			  IP20 960° ● grey											
HIT-CE (G12)		<table border="1"> <thead> <tr> <th>CODE</th> <th>LIGHT SOURCE</th> <th>WEIGHT</th> </tr> </thead> <tbody> <tr> <td><b>M183305</b></td> <td>HIT-CE (G12) 1xmax150W 2x10°</td> <td>1,80kg</td> </tr> <tr> <td><b>M183405</b></td> <td>HIT-CE (G12) 1xmax150W 2x20°</td> <td>1,80kg</td> </tr> <tr> <td><b>M183505</b></td> <td>HIT-CE (G12) 1xmax150W 2x30°</td> <td>1,80kg</td> </tr> </tbody> </table>	CODE	LIGHT SOURCE	WEIGHT	<b>M183305</b>	HIT-CE (G12) 1xmax150W 2x10°	1,80kg	<b>M183405</b>	HIT-CE (G12) 1xmax150W 2x20°	1,80kg	<b>M183505</b>	HIT-CE (G12) 1xmax150W 2x30°	1,80kg
CODE		LIGHT SOURCE	WEIGHT											
<b>M183305</b>		HIT-CE (G12) 1xmax150W 2x10°	1,80kg											
<b>M183405</b>		HIT-CE (G12) 1xmax150W 2x20°	1,80kg											
<b>M183505</b>	HIT-CE (G12) 1xmax150W 2x30°	1,80kg												

photometric data: see page 420-421.


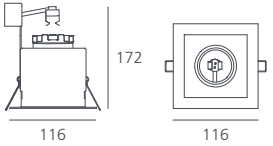













														
			  IP20 960° ● grey											
HIT-CE (G12)		<table border="1"> <thead> <tr> <th>CODE</th> <th>LIGHT SOURCE</th> <th>WEIGHT</th> </tr> </thead> <tbody> <tr> <td><b>M183605</b></td> <td>HIT-CE (G12) 2xmax150W 2x10°</td> <td>2,40kg</td> </tr> <tr> <td><b>M183705</b></td> <td>HIT-CE (G12) 2xmax150W 2x20°</td> <td>2,40kg</td> </tr> <tr> <td><b>M183805</b></td> <td>HIT-CE (G12) 2xmax150W 2x30°</td> <td>2,40kg</td> </tr> </tbody> </table>	CODE	LIGHT SOURCE	WEIGHT	<b>M183605</b>	HIT-CE (G12) 2xmax150W 2x10°	2,40kg	<b>M183705</b>	HIT-CE (G12) 2xmax150W 2x20°	2,40kg	<b>M183805</b>	HIT-CE (G12) 2xmax150W 2x30°	2,40kg
CODE		LIGHT SOURCE	WEIGHT											
<b>M183605</b>		HIT-CE (G12) 2xmax150W 2x10°	2,40kg											
<b>M183705</b>		HIT-CE (G12) 2xmax150W 2x20°	2,40kg											
<b>M183805</b>	HIT-CE (G12) 2xmax150W 2x30°	2,40kg												

photometric data: see page 420-421.


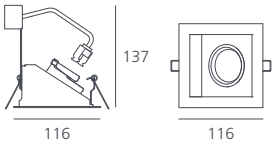













## JAVA 208 CONTROL GEARS

	Electronic ballast 230-240V. Class I.
	<b>M070322</b> For HIT 1x35W. 155x83x32mm.
	<b>M070422</b> For HIT 2x35W. 180x80x34mm.
	<b>M070522</b> For HIT 1x70W. 150x80x35mm.
	<b>M070622</b> For HIT 1x150W. 150x90x40mm.


## JAVA II DOWNLIGHT


		 106x106																
			IP20 960° ○ white															
QR-CBC51 (GU5,3)  HIPAR51-CE-P (GX10)  LED (GU10) 	<table border="1"> <thead> <tr> <th>CODE</th> <th>LIGHT SOURCE</th> <th>CLASS</th> <th>WEIGHT</th> </tr> </thead> <tbody> <tr> <td><b>M139420</b></td> <td>QR-CBC51 (GU5,3) 12V 1xmax50W</td> <td></td> <td>0,45kg</td> </tr> <tr> <td><b>M139520</b></td> <td>HIPAR51-CE-P (GX10) 1xmax35W</td> <td></td> <td>0,45kg</td> </tr> <tr> <td><b>M138820</b></td> <td>LED (GU10) 230-240V</td> <td></td> <td>0,45kg</td> </tr> </tbody> </table>	CODE	LIGHT SOURCE	CLASS	WEIGHT	<b>M139420</b>	QR-CBC51 (GU5,3) 12V 1xmax50W		0,45kg	<b>M139520</b>	HIPAR51-CE-P (GX10) 1xmax35W		0,45kg	<b>M138820</b>	LED (GU10) 230-240V		0,45kg	
CODE	LIGHT SOURCE	CLASS	WEIGHT															
<b>M139420</b>	QR-CBC51 (GU5,3) 12V 1xmax50W		0,45kg															
<b>M139520</b>	HIPAR51-CE-P (GX10) 1xmax35W		0,45kg															
<b>M138820</b>	LED (GU10) 230-240V		0,45kg															

## JAVA II WALL WASHER

		 106x106																
			IP20 960° ○ white															
QR-CBC51 (GU5,3)  HIPAR51-CE-P (GX10)  LED (GU10) 	<table border="1"> <thead> <tr> <th>CODE</th> <th>LIGHT SOURCE</th> <th>CLASS</th> <th>WEIGHT</th> </tr> </thead> <tbody> <tr> <td><b>M139720</b></td> <td>QR-CBC51 (GU5,3) 12V 1xmax50W</td> <td></td> <td>0,55kg</td> </tr> <tr> <td><b>M139820</b></td> <td>HIPAR51-CE-P (GX10) 1xmax35W</td> <td></td> <td>0,55kg</td> </tr> <tr> <td><b>M138920</b></td> <td>LED (GU10) 230-240V</td> <td></td> <td>0,55kg</td> </tr> </tbody> </table>	CODE	LIGHT SOURCE	CLASS	WEIGHT	<b>M139720</b>	QR-CBC51 (GU5,3) 12V 1xmax50W		0,55kg	<b>M139820</b>	HIPAR51-CE-P (GX10) 1xmax35W		0,55kg	<b>M138920</b>	LED (GU10) 230-240V		0,55kg	
CODE	LIGHT SOURCE	CLASS	WEIGHT															
<b>M139720</b>	QR-CBC51 (GU5,3) 12V 1xmax50W		0,55kg															
<b>M139820</b>	HIPAR51-CE-P (GX10) 1xmax35W		0,55kg															
<b>M138920</b>	LED (GU10) 230-240V		0,55kg															

## JAVA II CONTROL GEARS


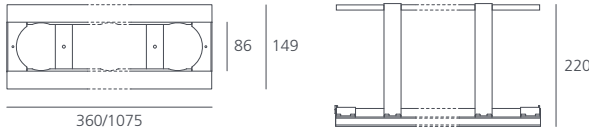

	<b>M070211</b> Electronic transformer 10-60W, 230-240V/12V. 123x32x32mm. Class II. Dimmable by trailing or leading edge external dimmers.
---	---

	<b>M070322</b> Electronic ballast 230-240V. Class I. For HIT 1x35W. 155x83x32mm.
---	--


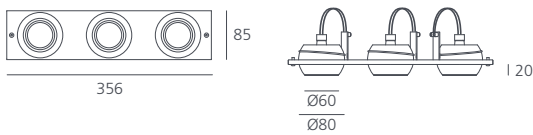















 BIALETTI








## JAVA LINEAR SYSTEM MULTISPOT RECESSED STRUCTURE

														
			IP20 960° ● grey											
	<table border="1"> <thead> <tr> <th>CODE</th> <th>VERSION</th> <th>LENGTH</th> <th>WEIGHT</th> </tr> </thead> <tbody> <tr> <td><b>M182060</b></td> <td>For 1 lighting module</td> <td>360mm</td> <td>2,50kg</td> </tr> <tr> <td><b>M182160</b></td> <td>For 3 lighting modules</td> <td>1075mm</td> <td>4,20kg</td> </tr> </tbody> </table>	CODE	VERSION	LENGTH	WEIGHT	<b>M182060</b>	For 1 lighting module	360mm	2,50kg	<b>M182160</b>	For 3 lighting modules	1075mm	4,20kg	
CODE	VERSION	LENGTH	WEIGHT											
<b>M182060</b>	For 1 lighting module	360mm	2,50kg											
<b>M182160</b>	For 3 lighting modules	1075mm	4,20kg											

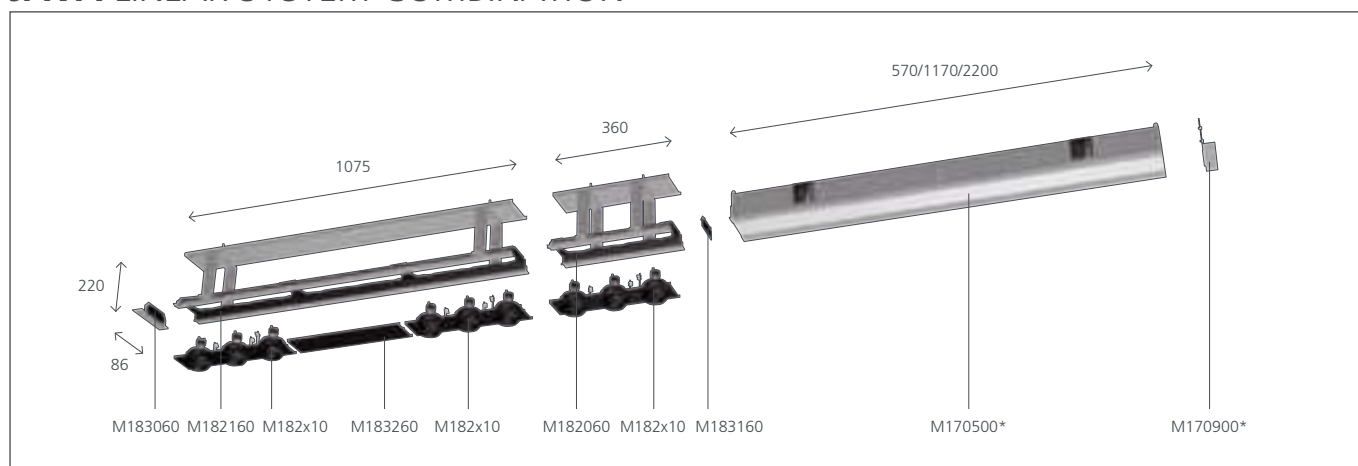
## JAVA LINEAR SYSTEM MULTISPOT LIGHTING MODULE

																						
			● black																			
QR-CBC51 (GU5,3)  HIPAR51-CE-P (GX10) 	<table border="1"> <thead> <tr> <th>CODE</th> <th>LIGHT SOURCE</th> <th>CLASS</th> <th>WEIGHT</th> </tr> </thead> <tbody> <tr> <td><b>M182210</b></td> <td>QR-CBC51 (GU5,3) 12V 3xmax50W</td> <td></td> <td>0,90kg</td> </tr> <tr> <td><b>M182510</b></td> <td>HIPAR51-CE-P (GX10) 3xmax35W</td> <td></td> <td>0,90kg</td> </tr> <tr> <td><b>M182310</b></td> <td>QR-CBC51 (GU5,3) 12V 2xmax50W + HIPAR51-CE-P (GX10) 1xmax35W</td> <td></td> <td>0,90kg</td> </tr> <tr> <td><b>M182410</b></td> <td>QR-CBC51 (GU5,3) 12V 1xmax50W + HIPAR51-CE-P (GX10) 2xmax35W</td> <td></td> <td>0,90kg</td> </tr> </tbody> </table>	CODE	LIGHT SOURCE	CLASS	WEIGHT	<b>M182210</b>	QR-CBC51 (GU5,3) 12V 3xmax50W		0,90kg	<b>M182510</b>	HIPAR51-CE-P (GX10) 3xmax35W		0,90kg	<b>M182310</b>	QR-CBC51 (GU5,3) 12V 2xmax50W + HIPAR51-CE-P (GX10) 1xmax35W		0,90kg	<b>M182410</b>	QR-CBC51 (GU5,3) 12V 1xmax50W + HIPAR51-CE-P (GX10) 2xmax35W		0,90kg	
CODE	LIGHT SOURCE	CLASS	WEIGHT																			
<b>M182210</b>	QR-CBC51 (GU5,3) 12V 3xmax50W		0,90kg																			
<b>M182510</b>	HIPAR51-CE-P (GX10) 3xmax35W		0,90kg																			
<b>M182310</b>	QR-CBC51 (GU5,3) 12V 2xmax50W + HIPAR51-CE-P (GX10) 1xmax35W		0,90kg																			
<b>M182410</b>	QR-CBC51 (GU5,3) 12V 1xmax50W + HIPAR51-CE-P (GX10) 2xmax35W		0,90kg																			



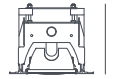

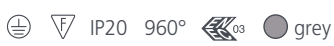
## JAVA LINEAR SYSTEM MULTISPOT ACCESSORIES

	<b>M183260</b> Cover (blind panel) 356mm.  ● black		Electronic transformer 230-240V/12V. Class II. Dimmable by trailing or leading edge external dimmers.  <b>M070211</b> 10-60W. 132x32x23mm. <b>M070412</b> 35-105W. 102x51x30mm. <b>M072111</b> 35-150W. 189x38x34mm.
	<b>M183060</b> End terminal (set of 2).  ● grey		
	<b>M183160</b> Intermediate connector for combining JAVA LINEAR SYSTEM MULTISPOT and JAVA LINEAR SYSTEM DARK LIGHT or DIFFUSER.		Electronic ballast 230-240V. Class I.  <b>M070322</b> HIT 1x35W. 155x83x32mm. <b>M070422</b> HIT 2x35W. 180x80x34mm.

## JAVA LINEAR SYSTEM COMBINATION



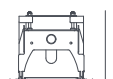




## JAVA LINEAR SYSTEM DARK LIGHT

			 120x(L+10mm)																																
					<p>T16 (G5)</p>																														
	<table border="1"> <thead> <tr> <th>CODE</th> <th>LIGHT SOURCE</th> <th>LENGTH</th> <th>WEIGHT</th> </tr> </thead> <tbody> <tr> <td><b>M170000</b></td> <td>T16 (G5) 1x24W non dimmable</td> <td>570mm</td> <td>2,40kg</td> </tr> <tr> <td><b>M170100</b></td> <td>T16 (G5) 1x54W non dimmable</td> <td>1170mm</td> <td>4,20kg</td> </tr> <tr> <td><b>M170200</b></td> <td>T16 (G5) 2x54W non dimmable</td> <td>2340mm</td> <td>8,40kg</td> </tr> <tr> <td><b>M170107</b></td> <td>T16 (G5) 1x54W non dimmable + emergency 1h</td> <td>1170mm</td> <td>4,80kg</td> </tr> <tr> <td><b>M170001</b></td> <td>T16 (G5) 1x24W dimmable DALI</td> <td>570mm</td> <td>2,40kg</td> </tr> <tr> <td><b>M170101</b></td> <td>T16 (G5) 1x54W dimmable DALI</td> <td>1170mm</td> <td>4,20kg</td> </tr> <tr> <td><b>M170201</b></td> <td>T16 (G5) 2x28-54W dimmable DALI</td> <td>2340mm</td> <td>8,40kg</td> </tr> </tbody> </table>	CODE	LIGHT SOURCE	LENGTH	WEIGHT	<b>M170000</b>	T16 (G5) 1x24W non dimmable	570mm	2,40kg	<b>M170100</b>	T16 (G5) 1x54W non dimmable	1170mm	4,20kg	<b>M170200</b>	T16 (G5) 2x54W non dimmable	2340mm	8,40kg	<b>M170107</b>	T16 (G5) 1x54W non dimmable + emergency 1h	1170mm	4,80kg	<b>M170001</b>	T16 (G5) 1x24W dimmable DALI	570mm	2,40kg	<b>M170101</b>	T16 (G5) 1x54W dimmable DALI	1170mm	4,20kg	<b>M170201</b>	T16 (G5) 2x28-54W dimmable DALI	2340mm	8,40kg		
CODE	LIGHT SOURCE	LENGTH	WEIGHT																																
<b>M170000</b>	T16 (G5) 1x24W non dimmable	570mm	2,40kg																																
<b>M170100</b>	T16 (G5) 1x54W non dimmable	1170mm	4,20kg																																
<b>M170200</b>	T16 (G5) 2x54W non dimmable	2340mm	8,40kg																																
<b>M170107</b>	T16 (G5) 1x54W non dimmable + emergency 1h	1170mm	4,80kg																																
<b>M170001</b>	T16 (G5) 1x24W dimmable DALI	570mm	2,40kg																																
<b>M170101</b>	T16 (G5) 1x54W dimmable DALI	1170mm	4,20kg																																
<b>M170201</b>	T16 (G5) 2x28-54W dimmable DALI	2340mm	8,40kg																																



photometric data: see page 425.

## JAVA LINEAR SYSTEM DIFFUSER


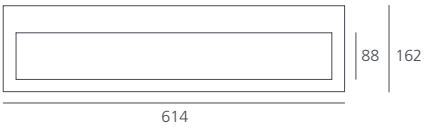



			 120x(L+10mm)																																
					<p>T16 (G5)</p>																														
	<table border="1"> <thead> <tr> <th>CODE</th> <th>LIGHT SOURCE</th> <th>LENGTH</th> <th>WEIGHT</th> </tr> </thead> <tbody> <tr> <td><b>M170300</b></td> <td>T16 (G5) 1x24W non dimmable</td> <td>570mm</td> <td>2,40kg</td> </tr> <tr> <td><b>M170400</b></td> <td>T16 (G5) 1x54W non dimmable</td> <td>1170mm</td> <td>4,20kg</td> </tr> <tr> <td><b>M170500</b></td> <td>T16 (G5) 2x54W non dimmable</td> <td>2200mm</td> <td>8,20kg</td> </tr> <tr> <td><b>M170407</b></td> <td>T16 (G5) 1x54W non dimmable + emergency 1h</td> <td>1170mm</td> <td>4,80kg</td> </tr> <tr> <td><b>M170301</b></td> <td>T16 (G5) 1x24W dimmable DALI</td> <td>570mm</td> <td>2,40kg</td> </tr> <tr> <td><b>M170401</b></td> <td>T16 (G5) 1x54W dimmable DALI</td> <td>1170mm</td> <td>4,20kg</td> </tr> <tr> <td><b>M170501</b></td> <td>T16 (G5) 2x28-54W dimmable DALI</td> <td>2200mm</td> <td>8,20kg</td> </tr> </tbody> </table>	CODE	LIGHT SOURCE	LENGTH	WEIGHT	<b>M170300</b>	T16 (G5) 1x24W non dimmable	570mm	2,40kg	<b>M170400</b>	T16 (G5) 1x54W non dimmable	1170mm	4,20kg	<b>M170500</b>	T16 (G5) 2x54W non dimmable	2200mm	8,20kg	<b>M170407</b>	T16 (G5) 1x54W non dimmable + emergency 1h	1170mm	4,80kg	<b>M170301</b>	T16 (G5) 1x24W dimmable DALI	570mm	2,40kg	<b>M170401</b>	T16 (G5) 1x54W dimmable DALI	1170mm	4,20kg	<b>M170501</b>	T16 (G5) 2x28-54W dimmable DALI	2200mm	8,20kg		
CODE	LIGHT SOURCE	LENGTH	WEIGHT																																
<b>M170300</b>	T16 (G5) 1x24W non dimmable	570mm	2,40kg																																
<b>M170400</b>	T16 (G5) 1x54W non dimmable	1170mm	4,20kg																																
<b>M170500</b>	T16 (G5) 2x54W non dimmable	2200mm	8,20kg																																
<b>M170407</b>	T16 (G5) 1x54W non dimmable + emergency 1h	1170mm	4,80kg																																
<b>M170301</b>	T16 (G5) 1x24W dimmable DALI	570mm	2,40kg																																
<b>M170401</b>	T16 (G5) 1x54W dimmable DALI	1170mm	4,20kg																																
<b>M170501</b>	T16 (G5) 2x28-54W dimmable DALI	2200mm	8,20kg																																

photometric data: see page 425.

## JAVA LINEAR SYSTEM ACCESSORIES



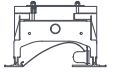


	<p><b>M170900</b> End caps (set of 2). 31mm. For DARK LIGHT AND DIFFUSER versions.</p> <p> grey</p>	<p><b>INTERACTIVE-DALI TECHNOLOGY</b></p>	<p><b>INTERACTIVE-DALI</b> components: see page 409.</p>
---	--	---	--

## JAVA WALL WASHER

			 604x140
⚡ IP20 960°  ● grey			
	<b>CODE</b>	<b>LIGHT SOURCE</b>	<b>WEIGHT</b>
	<b>M049700</b>	T16 (G5) 1x24W	2,30kg


photometric data: see page 425.

## JAVA LINEAR SYSTEM WALL WASHER

			 150x(L+10mm)	
				T16 (G5)
⚡ IP20 960°  ● grey				
	<b>CODE</b>	<b>LIGHT SOURCE</b>	<b>LENGTH</b>	<b>WEIGHT</b>
	<b>M170600</b>	T16 (G5) 1x24W non dimmable	570mm	2,20kg
	<b>M170700</b>	T16 (G5) 1x54W non dimmable	1170mm	3,80kg
	<b>M170800</b>	T16 (G5) 2x54W non dimmable	2340mm	7,20kg
	<b>M170601</b>	T16 (G5) 1x24W dimmable DALI	570mm	2,20kg
	<b>M170701</b>	T16 (G5) 1x54W dimmable DALI	1170mm	3,80kg
	<b>M170801</b>	T16 (G5) 2x28-54W dimmable DALI	2340mm	7,20kg

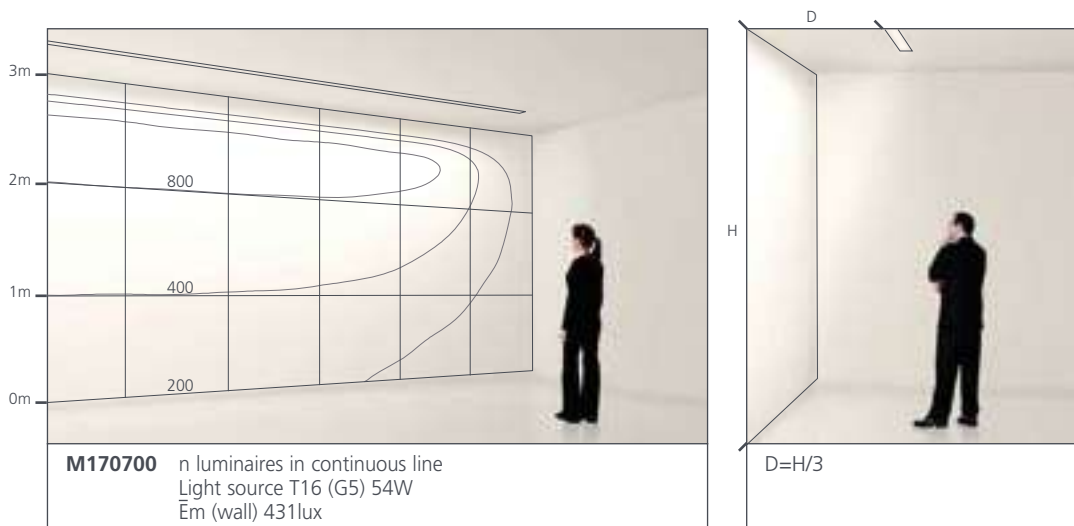
photometric data: see page 425.

## JAVA LINEAR SYSTEM WALL WASHER ACCESSORIES

	<b>M171000</b> End caps (set of 2). 31mm. For WALL WASHER version.
	● grey

## JAVA LINEAR SYSTEM WALL WASHER ISOLUX

Calculation parameters for issuing isolux curve diagrams **54W (n luminaires in continuous line)**: Length x height 10,00x3,00m. Reflectance factors ceiling/walls/floor 70/50/20%. Distance from wall to illuminate 1,00m. Distance from side wall 1,00m. Maintenance factor 0,90WF.



# JAVA 172 SYSTEM


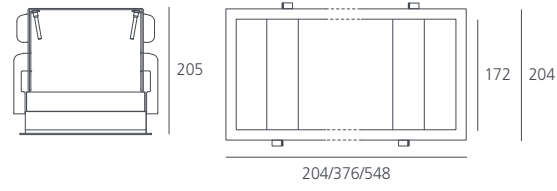

NEW




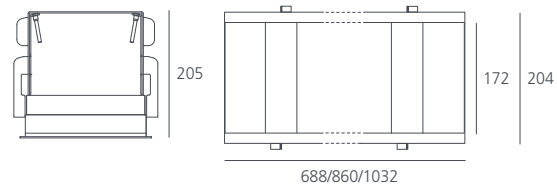



- CEILING RECESSED SPOTLIGHTING SYSTEM CONSISTING OF A STRUCTURAL MODULE WITH FRAME MADE FROM ALUMINIUM AND STEEL, AND INTERCHANGEABLE OPTIC UNITS WITH INTEGRAL SPOTLIGHTS USING HIGH-PERFORMING LED, METAL-HALIDE AND 12V HALOGEN LAMPS.
- TO BE INSTALLED AS A SINGLE LUMINAIRE (STAND- ALONE) OR AS A CONTINUOUS SYSTEM (LINEAR).
- STAND-ALONE VERSION CAN TAKE FROM 1 TO 3 OPTIC UNITS.
- LINEAR VERSION CAN TAKE FROM 4 TO 6 OPTIC UNITS PER ONE MODULE.
- OPTIC UNITS ARE EITHER FIXED OR ADJUSTABLE, WITH A TILT ANGLE OF UP TO 40° OR 85° DEPENDING ON THE VERSION, AND ROTATION OF UP TO 355°.
- LAMPS CAN BE MAINTAINED WITHOUT THE NEED FOR TOOLS BY A SIMPLE QUARTER TURN ROTATION OF LAMPHOLDING RING.
- BLACK PAINTED STEEL COVER SYSTEM FOR FALSE CEILING AS AN OPTIONAL EXTRA.
- OPTIONAL BLIND PANELS FOR CLOSING THE POSITIONS WHERE NO ACCENT LIGHTING IS REQUESTED.
- REMOTE POWER SUPPLY UNITS ARE TO BE ORDERED SEPARATELY.
- HIT VERSION INCLUDES SAFETY GLASS.
- COMPLIES WITH STANDARD EN60598-1 AND OTHER SPECIFIC STANDARDS.




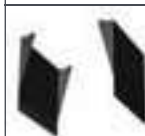
## JAVA 172 SYSTEM STAND-ALONE STRUCTURAL MODULE

		 192x192/364/536																				
			850° ● black 1 ○ white 2 ● silver 6																			
	<table border="1"> <thead> <tr> <th>CODE</th> <th>VERSION</th> <th>OPENING</th> <th>FRAME</th> <th>WEIGHT</th> </tr> </thead> <tbody> <tr> <td><b>M2127.0</b></td> <td>For 1 optic unit</td> <td>172x172mm</td> <td>204x204mm</td> <td>1,30kg</td> </tr> <tr> <td><b>M2128.0</b></td> <td>For 2 optic units</td> <td>172x344mm</td> <td>204x376mm</td> <td>2,20kg</td> </tr> <tr> <td><b>M2129.0</b></td> <td>For 3 optic units</td> <td>172x516mm</td> <td>204x548mm</td> <td>3,10kg</td> </tr> </tbody> </table>	CODE	VERSION	OPENING	FRAME	WEIGHT	<b>M2127.0</b>	For 1 optic unit	172x172mm	204x204mm	1,30kg	<b>M2128.0</b>	For 2 optic units	172x344mm	204x376mm	2,20kg	<b>M2129.0</b>	For 3 optic units	172x516mm	204x548mm	3,10kg	
CODE	VERSION	OPENING	FRAME	WEIGHT																		
<b>M2127.0</b>	For 1 optic unit	172x172mm	204x204mm	1,30kg																		
<b>M2128.0</b>	For 2 optic units	172x344mm	204x376mm	2,20kg																		
<b>M2129.0</b>	For 3 optic units	172x516mm	204x548mm	3,10kg																		


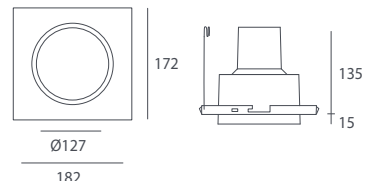
## JAVA 172 SYSTEM LINEAR STRUCTURAL MODULE

		 192x(ΣL+20)																				
			850° ● black 1 ○ white 2 ● silver 6																			
	<table border="1"> <thead> <tr> <th>CODE</th> <th>VERSION</th> <th>OPENING</th> <th>FRAME</th> <th>WEIGHT</th> </tr> </thead> <tbody> <tr> <td><b>M2130.0</b></td> <td>For 4 optic unit</td> <td>172x688mm</td> <td>204x688mm</td> <td>4,00kg</td> </tr> <tr> <td><b>M2131.0</b></td> <td>For 5 optic units</td> <td>172x860mm</td> <td>204x860mm</td> <td>4,90kg</td> </tr> <tr> <td><b>M2132.0</b></td> <td>For 6 optic units</td> <td>172x1032mm</td> <td>204x1032mm</td> <td>5,80kg</td> </tr> </tbody> </table>	CODE	VERSION	OPENING	FRAME	WEIGHT	<b>M2130.0</b>	For 4 optic unit	172x688mm	204x688mm	4,00kg	<b>M2131.0</b>	For 5 optic units	172x860mm	204x860mm	4,90kg	<b>M2132.0</b>	For 6 optic units	172x1032mm	204x1032mm	5,80kg	
CODE	VERSION	OPENING	FRAME	WEIGHT																		
<b>M2130.0</b>	For 4 optic unit	172x688mm	204x688mm	4,00kg																		
<b>M2131.0</b>	For 5 optic units	172x860mm	204x860mm	4,90kg																		
<b>M2132.0</b>	For 6 optic units	172x1032mm	204x1032mm	5,80kg																		

## JAVA 172 SYSTEM COMPONENTS

	<p><b>M1912.0</b> End terminal for structural module (set of 2). Necessary only with JAVA 172 SYSTEM LINEAR.</p>		<p>Upper cover in painted steel for false-ceiling.</p> <p><b>M215210</b> For 1 unit.  <b>M215310</b> For 2 units.  <b>M215410</b> For 3 units.  <b>M215510</b> For 6 units.</p>
	<p>● black 1 ○ white 2 ● silver 6</p>		<p>● black</p>
	<p>Blind panel in painted steel.</p> <p><b>M1905.0</b> For 1 unit. 172x172 mm.  <b>M2166.0</b> For 2 units. 172x344 mm.  <b>M2167.0</b> For 3 units. 172x516 mm.</p>		<p><b>M215610</b> End terminal for upper cover (set of 2).</p>
	<p>● black 1 ○ white 2 ● silver 6</p>		<p>● black</p>


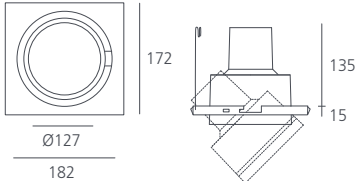


## JAVA 172 SYSTEM FIXED OPTIC UNITS

		<p>IP20 ● black 1 ○ white 2 ● silver 6</p>																		
			<table border="1"> <thead> <tr> <th>LED</th> <th>CODE</th> <th>LIGHT SOURCE</th> <th>WEIGHT</th> </tr> </thead> <tbody> <tr> <td>QR111 (G53)</td> <td><b>M1914.0-*</b></td> <td>LED 33W WARM WHITE 3000K</td> <td>1,30kg</td> </tr> <tr> <td>HIT-CE (G12)</td> <td><b>M1913.0-*</b></td> <td>LED 33W NEUTRAL WHITE 4000K</td> <td>1,30kg</td> </tr> <tr> <td></td> <td><b>M1917.0</b></td> <td>QR111 (G53) 12V max100W</td> <td>1,10kg</td> </tr> <tr> <td></td> <td><b>M1918.0-*</b></td> <td>HIT-CE (G12) max150W</td> <td>1,10kg</td> </tr> </tbody> </table>	LED	CODE	LIGHT SOURCE	WEIGHT	QR111 (G53)	<b>M1914.0-*</b>	LED 33W WARM WHITE 3000K	1,30kg	HIT-CE (G12)	<b>M1913.0-*</b>	LED 33W NEUTRAL WHITE 4000K	1,30kg		<b>M1917.0</b>	QR111 (G53) 12V max100W	1,10kg	
LED	CODE	LIGHT SOURCE	WEIGHT																	
QR111 (G53)	<b>M1914.0-*</b>	LED 33W WARM WHITE 3000K	1,30kg																	
HIT-CE (G12)	<b>M1913.0-*</b>	LED 33W NEUTRAL WHITE 4000K	1,30kg																	
	<b>M1917.0</b>	QR111 (G53) 12V max100W	1,10kg																	
	<b>M1918.0-*</b>	HIT-CE (G12) max150W	1,10kg																	

\*Item number must be completed with the code of the reflector. See next page.

power supply units: see page 75.  
 photometric data: see page 419-420.


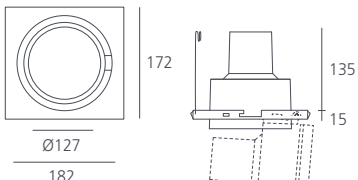
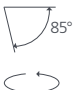

## JAVA 172 SYSTEM ADJUSTABLE OPTIC UNITS TILT 40°

																	
			IP20 ● black 1 ○ white 2 ● silver 6														
LED QR111 (G53) HIT-CE (G12)		<table border="1"> <thead> <tr> <th>CODE</th> <th>LIGHT SOURCE</th> <th>WEIGHT</th> </tr> </thead> <tbody> <tr> <td><b>M1914.5-*</b></td> <td>LED 33W WARM WHITE 3000K</td> <td>1,30kg</td> </tr> <tr> <td><b>M1913.5-*</b></td> <td>LED 33W NEUTRAL WHITE 4000K</td> <td>1,30kg</td> </tr> <tr> <td><b>M1917.5</b></td> <td>QR111 (G53) 12V max100W</td> <td>1,30kg</td> </tr> <tr> <td><b>M1918.5-*</b></td> <td>HIT-CE (G12) max150W</td> <td>1,30kg</td> </tr> </tbody> </table>	CODE	LIGHT SOURCE	WEIGHT	<b>M1914.5-*</b>	LED 33W WARM WHITE 3000K	1,30kg	<b>M1913.5-*</b>	LED 33W NEUTRAL WHITE 4000K	1,30kg	<b>M1917.5</b>	QR111 (G53) 12V max100W	1,30kg	<b>M1918.5-*</b>	HIT-CE (G12) max150W	1,30kg
CODE	LIGHT SOURCE	WEIGHT															
<b>M1914.5-*</b>	LED 33W WARM WHITE 3000K	1,30kg															
<b>M1913.5-*</b>	LED 33W NEUTRAL WHITE 4000K	1,30kg															
<b>M1917.5</b>	QR111 (G53) 12V max100W	1,30kg															
<b>M1918.5-*</b>	HIT-CE (G12) max150W	1,30kg															

\* Item number must be completed with the code of the reflector. See below.

power supply units: see below.  
photometric data: see page 419-420.

## JAVA 172 SYSTEM ADJUSTABLE OPTIC UNITS TILT 85°

																	
			IP20 ● black 1 ○ white 2 ● silver 6														
LED QR111 (G53) HIT-CE (G12)		<table border="1"> <thead> <tr> <th>CODE</th> <th>LIGHT SOURCE</th> <th>WEIGHT</th> </tr> </thead> <tbody> <tr> <td><b>M1914.4-*</b></td> <td>LED 33W WARM WHITE 3000K</td> <td>1,30kg</td> </tr> <tr> <td><b>M1913.4-*</b></td> <td>LED 33W NEUTRAL WHITE 4000K</td> <td>1,30kg</td> </tr> <tr> <td><b>M1917.4</b></td> <td>QR111 (G53) 12V max100W</td> <td>1,30kg</td> </tr> <tr> <td><b>M1918.4-*</b></td> <td>HIT-CE (G12) max150W</td> <td>1,30kg</td> </tr> </tbody> </table>	CODE	LIGHT SOURCE	WEIGHT	<b>M1914.4-*</b>	LED 33W WARM WHITE 3000K	1,30kg	<b>M1913.4-*</b>	LED 33W NEUTRAL WHITE 4000K	1,30kg	<b>M1917.4</b>	QR111 (G53) 12V max100W	1,30kg	<b>M1918.4-*</b>	HIT-CE (G12) max150W	1,30kg
CODE	LIGHT SOURCE	WEIGHT															
<b>M1914.4-*</b>	LED 33W WARM WHITE 3000K	1,30kg															
<b>M1913.4-*</b>	LED 33W NEUTRAL WHITE 4000K	1,30kg															
<b>M1917.4</b>	QR111 (G53) 12V max100W	1,30kg															
<b>M1918.4-*</b>	HIT-CE (G12) max150W	1,30kg															




\* Item number must be completed with the code of the reflector. See below.

power supply units: see below.  
photometric data: see page 419-420.

## JAVA 172 SYSTEM REFLECTORS FOR OPTIC UNITS

	<b>MFL</b> Aluminium reflector for HIT version.		<b>MFL</b> Aluminium reflector for LED version.
	<b>WFL</b> Medium-flood (2x10° < angle ≤ 2x15°).		<b>FL</b> Medium-flood (2x10° < angle ≤ 2x15°).
	<b>VWFL</b> Wide-flood (2x20° < angle ≤ 2x30°). Very-wide-flood (angle > 2x30°).		<b>FL</b> Flood (2x15° < angle ≤ 2x20°).

## JAVA 172 SYSTEM POWER SUPPLY UNITS

	Electronic transformer 230-240V/12V. Class II. Dimmable by trailing or leading edge external dimmers.		Electronic ballast 230-240V. Class I.
	<b>M070211</b> 10-60W. 123x32x23mm.		<b>M070322</b> HIT 1x35W. 155x83x32mm.
	<b>M070412</b> 35-105W. 102x51x30mm. <b>M072111</b> 35-150W. 190x38x34mm.		<b>M070422</b> HIT 2x35W. 180x80x34mm. <b>M070522</b> HIT 1x70W. 150x80x35mm. <b>M070622</b> HIT 1x150W. 150x90x40mm.
	LED POWER SUPPLY 14-50W. IP20. Input voltage: 186-250DC/50-60Hz. Output voltage: 31-62V. 220x83x35 mm.		
	<b>M074530</b> Non dimmable. <b>M074531</b> Dimmable Dali/Switchdim/trailing edge.		

# NOTHING RECESSED 172 SYSTEM


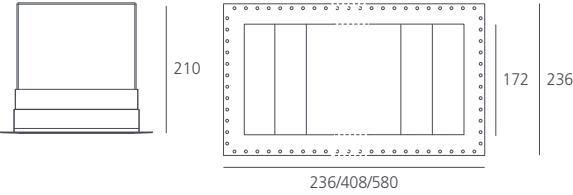

design ERNESTO GISMONDI



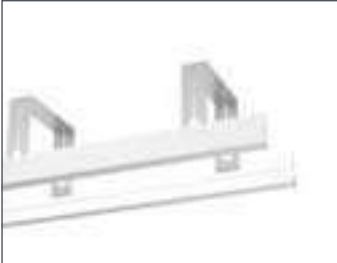
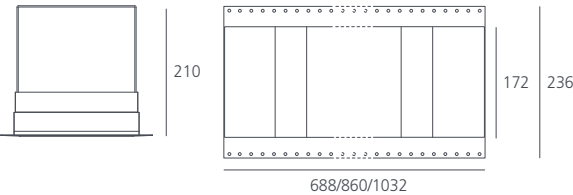



- CEILING RECESSED SPOTLIGHTING SYSTEM CONSISTING OF A TRIMLESS STRUCTURAL MODULE MADE FROM ALUMINIUM THAT REQUIRES A FINISH COAT OF PLASTER, AND INTERCHANGEABLE OPTIC UNITS WITH INTEGRAL SPOTLIGHTS USING HIGH-PERFORMING LED, METAL-HALIDE AND 12V HALOGEN LAMPS.
- TO BE INSTALLED AS A SINGLE LUMINAIRE (STAND-ALONE) OR AS A CONTINUOUS SYSTEM (LINEAR).
- STAND-ALONE VERSION CAN TAKE FROM 1 TO 3 OPTIC UNITS.
- LINEAR VERSION CAN TAKE FROM 4 TO 6 OPTIC UNITS PER ONE MODULE.
- OPTIC UNITS ARE EITHER FIXED OR ADJUSTABLE, WITH A TILT ANGLE OF UP TO 40° OR 85° DEPENDING ON THE VERSION, AND ROTATION OF UP TO 355°.
- LAMPS CAN BE MAINTAINED WITHOUT THE NEED FOR TOOLS BY A SIMPLE QUARTER TURN ROTATION OF LAMPHOLDING RING.
- BLACK PAINTED STEEL COVER SYSTEM FOR FALSE CEILING AS AN OPTIONAL EXTRA.
- OPTIONAL BLIND PANELS FOR CLOSING THE POSITIONS WHERE NO ACCENT LIGHTING IS REQUESTED.
- REMOTE POWER SUPPLY UNITS ARE TO BE ORDERED SEPARATELY.
- HIT VERSION INCLUDES SAFETY GLASS.
- COMPLIES WITH STANDARD EN60598-1 AND OTHER SPECIFIC STANDARDS.




## NOTHING RECESSED 172 SYSTEM STAND-ALONE STRUCTURAL MODULE

		 192x192/364/536																
	850° <input type="radio"/> white																	
	<table border="1"> <thead> <tr> <th>CODE</th> <th>VERSION</th> <th>OPENING</th> <th>WEIGHT</th> </tr> </thead> <tbody> <tr> <td><b>M214100</b></td> <td>For 1 optic unit</td> <td>172x172mm</td> <td>1,30kg</td> </tr> <tr> <td><b>M214200</b></td> <td>For 2 optic units</td> <td>172x344mm</td> <td>2,20kg</td> </tr> <tr> <td><b>M214300</b></td> <td>For 3 optic units</td> <td>172x516mm</td> <td>3,10kg</td> </tr> </tbody> </table>	CODE	VERSION	OPENING	WEIGHT	<b>M214100</b>	For 1 optic unit	172x172mm	1,30kg	<b>M214200</b>	For 2 optic units	172x344mm	2,20kg	<b>M214300</b>	For 3 optic units	172x516mm	3,10kg	
CODE	VERSION	OPENING	WEIGHT															
<b>M214100</b>	For 1 optic unit	172x172mm	1,30kg															
<b>M214200</b>	For 2 optic units	172x344mm	2,20kg															
<b>M214300</b>	For 3 optic units	172x516mm	3,10kg															


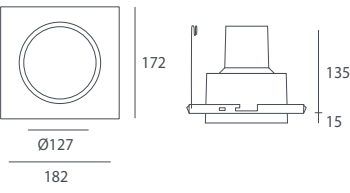



## NOTHING RECESSED 172 SYSTEM LINEAR STRUCTURAL MODULE

		 192x(ΣL+20)																
	850° <input type="radio"/> white																	
	<table border="1"> <thead> <tr> <th>CODE</th> <th>VERSION</th> <th>OPENING</th> <th>WEIGHT</th> </tr> </thead> <tbody> <tr> <td><b>M214400</b></td> <td>For 4 optic unit</td> <td>172x688mm</td> <td>4,00kg</td> </tr> <tr> <td><b>M214500</b></td> <td>For 5 optic units</td> <td>172x860mm</td> <td>4,90kg</td> </tr> <tr> <td><b>M214600</b></td> <td>For 6 optic units</td> <td>172x1032mm</td> <td>5,80kg</td> </tr> </tbody> </table>	CODE	VERSION	OPENING	WEIGHT	<b>M214400</b>	For 4 optic unit	172x688mm	4,00kg	<b>M214500</b>	For 5 optic units	172x860mm	4,90kg	<b>M214600</b>	For 6 optic units	172x1032mm	5,80kg	
CODE	VERSION	OPENING	WEIGHT															
<b>M214400</b>	For 4 optic unit	172x688mm	4,00kg															
<b>M214500</b>	For 5 optic units	172x860mm	4,90kg															
<b>M214600</b>	For 6 optic units	172x1032mm	5,80kg															

## NOTHING RECESSED 172 SYSTEM COMPONENTS

	<p><b>M190600</b> End terminal for structural module (set of 2). Necessary only with NOTHING RECESSED 172 SYSTEM LINEAR.</p>		<p>Upper cover in painted steel for false-ceiling.</p> <p><b>M215210</b> For 1 unit.  <b>M215310</b> For 2 units.  <b>M215410</b> For 3 units.  <b>M215510</b> For 6 units.</p>
	<input type="radio"/> white		<input checked="" type="radio"/> black
	<p>Blind panel in painted steel.</p> <p><b>M1905.0</b> For 1 unit. 172x172 mm.  <b>M2166.0</b> For 2 units. 172x344 mm.  <b>M2167.0</b> For 3 units. 172x516 mm.</p>		<p><b>M215610</b> End terminal for upper cover (set of 2).</p>
	<input checked="" type="radio"/> black <b>1</b> <input type="radio"/> white <b>2</b> <input checked="" type="radio"/> silver <b>6</b>		<input checked="" type="radio"/> black


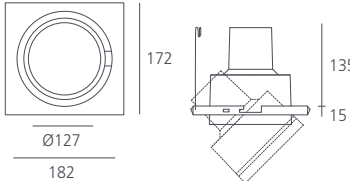


## NOTHING RECESSED 172 SYSTEM FIXED OPTIC UNITS

																	
	IP20 <input checked="" type="radio"/> black <b>1</b> <input type="radio"/> white <b>2</b> <input checked="" type="radio"/> silver <b>6</b>																
LED 	<table border="1"> <thead> <tr> <th>CODE</th> <th>LIGHT SOURCE</th> <th>WEIGHT</th> </tr> </thead> <tbody> <tr> <td><b>M1914.0-*</b></td> <td>LED 33W WARM WHITE 3000K</td> <td>1,30kg</td> </tr> <tr> <td><b>M1913.0-*</b></td> <td>LED 33W NEUTRAL WHITE 4000K</td> <td>1,30kg</td> </tr> <tr> <td><b>M1917.0</b></td> <td>QR111 (G53) 12V max100W</td> <td>1,30kg</td> </tr> <tr> <td><b>M1918.0-*</b></td> <td>HIT-CE (G12) max150W</td> <td>1,30kg</td> </tr> </tbody> </table>	CODE	LIGHT SOURCE	WEIGHT	<b>M1914.0-*</b>	LED 33W WARM WHITE 3000K	1,30kg	<b>M1913.0-*</b>	LED 33W NEUTRAL WHITE 4000K	1,30kg	<b>M1917.0</b>	QR111 (G53) 12V max100W	1,30kg	<b>M1918.0-*</b>	HIT-CE (G12) max150W	1,30kg	
CODE	LIGHT SOURCE	WEIGHT															
<b>M1914.0-*</b>	LED 33W WARM WHITE 3000K	1,30kg															
<b>M1913.0-*</b>	LED 33W NEUTRAL WHITE 4000K	1,30kg															
<b>M1917.0</b>	QR111 (G53) 12V max100W	1,30kg															
<b>M1918.0-*</b>	HIT-CE (G12) max150W	1,30kg															
QR111 (G53) 																	
HIT-CE (G12) 																	

\* Item number must be completed with the code of the reflector. See next page.

power supply units: see page 79.  
 photometric data: see page 422-423.


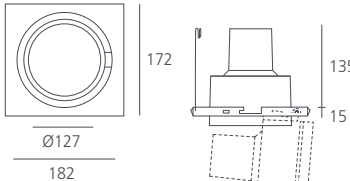
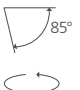

## NOTHING RECESSED 172 SYSTEM ADJUSTABLE OPTIC UNITS TILT 40°

				
			IP20 ● black 1 ○ white 2 ● silver 6	
LED		<b>CODE</b>	<b>LIGHT SOURCE</b>	<b>WEIGHT</b>
QR111 (G53)		<b>M1914.5*</b>	LED 33W WARM WHITE 3000K	1,30kg
HIT-CE (G12)		<b>M1913.5*</b>	LED 33W NEUTRAL WHITE 4000K	1,30kg
		<b>M1917.5</b>	QR111 (G53) 12V max100W	1,30kg
		<b>M1918.5*</b>	HIT-CE (G12) max150W	1,30kg

\* Item number must be completed with the code of the reflector. See below.

power supply units: see below.  
photometric data: see page 422-423.

## NOTHING RECESSED 172 SYSTEM ADJUSTABLE OPTIC UNITS TILT 85°

				
			IP20 ● black 1 ○ white 2 ● silver 6	
LED		<b>CODE</b>	<b>LIGHT SOURCE</b>	<b>WEIGHT</b>
QR111 (G53)		<b>M1914.4*</b>	LED 33W WARM WHITE 3000K	1,30kg
HIT-CE (G12)		<b>M1913.4*</b>	LED 33W NEUTRAL WHITE 4000K	1,30kg
		<b>M1917.4</b>	QR111 (G53) 12V max100W	1,30kg
		<b>M1918.4*</b>	HIT-CE (G12) max150W	1,30kg




\* Item number must be completed with the code of the reflector. See below.

power supply units: see below.  
photometric data: see page 422-423.

## NOTHING RECESSED 172 SYSTEM REFLECTORS FOR OPTIC UNITS

	<b>MFL</b>	Aluminium reflector for HIT version. Medium-flood (2x10° < angle ≤ 2x15°)		<b>MFL</b>	Aluminium reflector for LED version. Medium-flood (2x10° < angle ≤ 2x15°).
	<b>WFL</b>	Wide-flood (2x20° < angle ≤ 2x30°).		<b>FL</b>	Flood (2x15° < angle ≤ 2x20°).
	<b>VWFL</b>	Very-wide-flood (angle > 2x30°)			

## NOTHING RECESSED 172 SYSTEM POWER SUPPLY UNITS

	Electronic transformer 230-240V/12V. Class II. Dimmable by trailing or leading edge external dimmers.		Electronic ballast 230-240V. Class I.
	<b>M070211</b> 10-60W. 123x32x23mm.		<b>M070322</b> HIT 1x35W. 155x83x32mm.
	<b>M070412</b> 35-105W. 102x51x30mm.		<b>M070422</b> HIT 2x35W. 180x80x34mm.
	<b>M072111</b> 35-150W. 190x38x34mm.		<b>M070522</b> HIT 1x70W. 150x80x35mm.
	LED POWER SUPPLY 14-50W. IP20. Input voltage: 186-250DC/50-60Hz. Output voltage: 31-62V. 220x83x35 mm.		<b>M070622</b> HIT 1x150W. 150x90x40mm.
	<b>M074530</b> Non dimmable.		
	<b>M074531</b> Dimmable Dali/Switchdim/trailing edge.		

# NOTHING

design ERNESTO GISMONTI





# NOTHING RECESSED

- CREATED WITH THE PURPOSE OF MAKING THE LIGHTING FIXTURE DISAPPEAR COMPLETELY INTO THE FALSE CEILING AS TO SOLELY DRAW ATTENTION TO THE LIGHTING EFFECTS, **NOTHING** IS A COMPLETE RANGE OF RECESSED LUMINAIRES, WHOSE INSTALLATION REQUIRES A FINISH COAT OF PLASTER.
- RECESSING FRAME IS MADE OF ALUMINIUM.
- REMOTE CONTROL GEAR.
- COMPLIES WITH STANDARD EN60598-1 AND OTHER SPECIFIC STANDARDS.

## NOTHING RECESSED ROUND

- A RANGE OF FIXED AND ADJUSTABLE DOWNLIGHTS USING 12V HALOGEN AND METAL HALIDE LAMPS.
- 2 DIAMETER OPTIONS: Ø105 AND Ø155MM.
- TILT ANGLE OF UP TO 32°.
- OPTIONAL RING IN INJECTION MOULDED PLASTIC WITH WHITE FINISH FOR AN INSTALLATION WITHOUT PLASTER FINISH COAT. FITTING BY ONE QUARTER TURN ROTATION.

## NOTHING RECESSED SQUARE/RECTANGULAR

- ADJUSTABLE DOWNLIGHTS USING QR111 12V HALOGEN AND HIR111 METAL HALIDE LAMPS.
- 5 MODELS: SQUARE WITH 1 AND 4 LAMPS, RECTANGULAR WITH 2, 3 AND 4 LAMPS.
- EACH SPOTLIGHT MAY BE ADJUSTED INDIVIDUALLY WITH A TILT ANGLE RANGING FROM -20° TO +70°, AND ROTATION OF UP TO 355°.

## NOTHING RECESSED 86

- FIXED DOWNLIGHTS USING 12V DICHROIC HALOGEN AND 230-240V LED LAMPS.
- BODY IS MADE FROM STEEL, LAMPHOLDING RING FROM ALUMINIUM.
- 2 LIGHTING OPTIONS: DOWNLIGHTING (VERTICAL) AND WALL WASHER LIGHTING (30°).

## NOTHING RECESSED WALL WASHER

- SINGLE LUMINAIRES USING 24W, 39W OR 54W T16 FLUORESCENT LAMPS.
- ASYMMETRIC ALUMINIUM OPTIC.
- INTEGRAL ELECTRONIC CONTROL GEAR.

## NOTHING RECESSED LINEAR SYSTEM

SEE PAGE 90.



## NOTHING RECESSED ROUND



Ø105 FIX AND ADJUSTABLE  
QR-CBC51 (GU5,3)  
HIPAR51-CE-P (GX10)



Ø155 ADJUSTABLE  
QR111 (G53)  
HIR111-CE-P (GX8,5)  
HIT-TC-CE (G8,5)  
HIT-CE (G12)

## NOTHING RECESSED SQUARE/RECTANGULAR



SQUARE 1 LAMP  
QR111 (G53)  
HIR111-CE-P (GX8,5)



RECTANGULAR 2 LAMPS  
QR111 (G53)  
HIR111-CE-P (GX8,5)



RECTANGULAR 3 LAMPS  
QR111 (G53)  
HIR111-CE-P (GX8,5)



RECTANGULAR 4 LAMPS  
QR111 (G53)  
HIR111-CE-P (GX8,5)



SQUARE 4 LAMPS  
QR111 (G53)  
HIR111-CE-P (GX8,5)

## NOTHING RECESSED 86



DOWNLIGHT  
QR-CBC51 (GU5,3)  
LED (GU10)



WALL WASHER  
QR-CBC51 (GU5,3)  
LED (GU10)

## NOTHING RECESSED WALL WASHER



WALL WASHER  
T16 (G5)

## NOTHING RECESSED LINEAR SYSTEM



MULTISPOT  
QR-CBC51 (GU5,3)  
HIPAR51-CE-P (GX10)



DARK LIGHT  
T16 (G5)


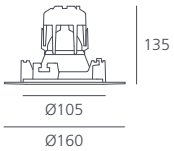









DIFFUSER  
T16 (G5)


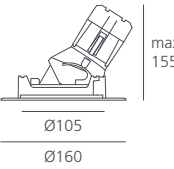


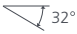







WALL WASHER  
T16 (G5)



## NOTHING RECESSED ROUND Ø105 FIX

			 Ø134									
				<table border="1"> <thead> <tr> <th>CODE</th> <th>LIGHT SOURCE</th> <th>CLASS</th> <th>WEIGHT</th> </tr> </thead> <tbody> <tr> <td><b>M062620</b></td> <td>QR-CBC51 (GU5,3) 12V max50W</td> <td></td> <td>0,40kg</td> </tr> <tr> <td><b>M062720</b></td> <td>HIPAR51-CE-P (GX10) max35W</td> <td></td> <td>0,40kg</td> </tr> </tbody> </table>	CODE	LIGHT SOURCE	CLASS	WEIGHT	<b>M062620</b>	QR-CBC51 (GU5,3) 12V max50W		0,40kg
CODE	LIGHT SOURCE	CLASS	WEIGHT									
<b>M062620</b>	QR-CBC51 (GU5,3) 12V max50W		0,40kg									
<b>M062720</b>	HIPAR51-CE-P (GX10) max35W		0,40kg									

## NOTHING RECESSED ROUND Ø105 ADJUSTABLE

			 Ø134	 32°								
					<table border="1"> <thead> <tr> <th>CODE</th> <th>LIGHT SOURCE</th> <th>CLASS</th> <th>WEIGHT</th> </tr> </thead> <tbody> <tr> <td><b>M064020</b></td> <td>QR-CBC51 (GU5,3) 12V max50W</td> <td></td> <td>0,40kg</td> </tr> <tr> <td><b>M064120</b></td> <td>HIPAR51-CE-P (GX10) max35W</td> <td></td> <td>0,40kg</td> </tr> </tbody> </table>	CODE	LIGHT SOURCE	CLASS	WEIGHT	<b>M064020</b>	QR-CBC51 (GU5,3) 12V max50W	
CODE	LIGHT SOURCE	CLASS	WEIGHT									
<b>M064020</b>	QR-CBC51 (GU5,3) 12V max50W		0,40kg									
<b>M064120</b>	HIPAR51-CE-P (GX10) max35W		0,40kg									

## NOTHING RECESSED ROUND Ø105 ACCESSORIES

	<p><b>M064900</b> Ring in injection moulded plastic. Ø165mm. White finish.</p>
	<p>Electronic transformer 230-240V/12V. Class II. Dimmable by trailing or leading edge external dimmers.</p> <p><b>M070211</b> 10-60W. 123x32x23mm.</p> <p><b>M070412</b> 35-105W. 102x51x30mm.</p>
	<p><b>M070032</b> Electronic ballast 230-240V. Class I. For HIPAR51-CE-P (GX10) 1x35W. 132x64x37mm.</p>


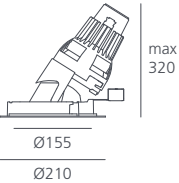


































VERTICAL POSITION



MAXIMUM TILT

## NOTHING RECESSED ROUND Ø155 ADJUSTABLE


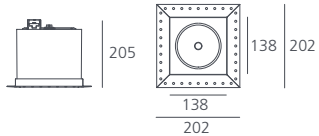







		 IP20  960°  OS																																					
																																							
QR111 (G53)  HIR111-CE-P (G8,5)  HIT-TC-CE (G8,5)  HIT-CE (G12) 	<table border="1"> <thead> <tr> <th>CODE</th> <th>LIGHT SOURCE</th> <th>CLASS</th> <th>WEIGHT</th> </tr> </thead> <tbody> <tr> <td><b>M064420</b></td> <td>QR111 (G53) 12V max100W</td> <td></td> <td>1,20kg</td> </tr> <tr> <td><b>M064720</b></td> <td>HIR111-CE-P (G8,5) 35/70W</td> <td></td> <td>1,20kg</td> </tr> <tr> <td><b>M064620</b></td> <td>HIT-TC-CE (G8,5) 20/35/70W 2x10°</td> <td></td> <td>1,30kg</td> </tr> <tr> <td><b>M063220</b></td> <td>HIT-TC-CE (G8,5) 20/35/70W 2x20°</td> <td></td> <td>1,30kg</td> </tr> <tr> <td><b>M063520</b></td> <td>HIT-CE (G12) 70W 2x10°</td> <td></td> <td>1,30kg</td> </tr> <tr> <td><b>M063620</b></td> <td>HIT-CE (G12) 70W 2x20°</td> <td></td> <td>1,30kg</td> </tr> <tr> <td><b>M064820</b></td> <td>HIT-CE (G12) 150W 2x10°</td> <td></td> <td>1,30kg</td> </tr> <tr> <td><b>M063320</b></td> <td>HIT-CE (G12) 150W 2x20°</td> <td></td> <td>1,30kg</td> </tr> </tbody> </table>	CODE	LIGHT SOURCE	CLASS	WEIGHT	<b>M064420</b>	QR111 (G53) 12V max100W		1,20kg	<b>M064720</b>	HIR111-CE-P (G8,5) 35/70W		1,20kg	<b>M064620</b>	HIT-TC-CE (G8,5) 20/35/70W 2x10°		1,30kg	<b>M063220</b>	HIT-TC-CE (G8,5) 20/35/70W 2x20°		1,30kg	<b>M063520</b>	HIT-CE (G12) 70W 2x10°		1,30kg	<b>M063620</b>	HIT-CE (G12) 70W 2x20°		1,30kg	<b>M064820</b>	HIT-CE (G12) 150W 2x10°		1,30kg	<b>M063320</b>	HIT-CE (G12) 150W 2x20°		1,30kg		
CODE	LIGHT SOURCE	CLASS	WEIGHT																																				
<b>M064420</b>	QR111 (G53) 12V max100W		1,20kg																																				
<b>M064720</b>	HIR111-CE-P (G8,5) 35/70W		1,20kg																																				
<b>M064620</b>	HIT-TC-CE (G8,5) 20/35/70W 2x10°		1,30kg																																				
<b>M063220</b>	HIT-TC-CE (G8,5) 20/35/70W 2x20°		1,30kg																																				
<b>M063520</b>	HIT-CE (G12) 70W 2x10°		1,30kg																																				
<b>M063620</b>	HIT-CE (G12) 70W 2x20°		1,30kg																																				
<b>M064820</b>	HIT-CE (G12) 150W 2x10°		1,30kg																																				
<b>M063320</b>	HIT-CE (G12) 150W 2x20°		1,30kg																																				


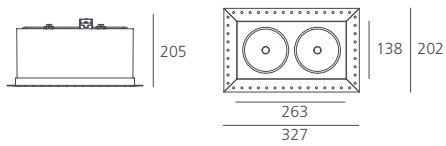
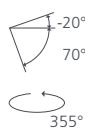






photometric data: see page 422.


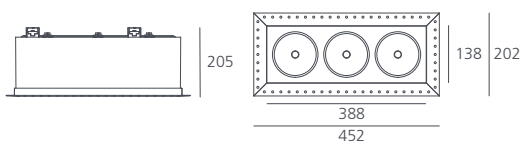
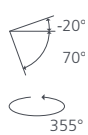








## NOTHING RECESSED ROUND Ø155 ACCESSORIES


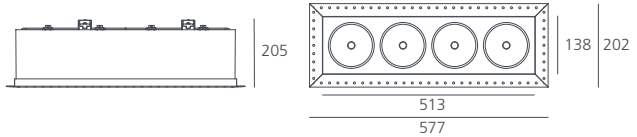







	<b>M065000</b> Ring in injection moulded plastic. Ø215mm. White finish.		Electronic transformer 230-240V/12V. Class II. Dimmable by trailing or leading edge external dimmers. <b>M070211</b> 10-60W. 123x32x23mm. <b>M070412</b> 35-105W. 102x51x30mm.
	<b>M080085</b> UV filter. For NOTHING Ø155mm HIT series.		Electronic ballast 230-240V. Class I. <b>M070322</b> For HIT 1x35W. 155x83x32mm. <b>M070522</b> For HIT 1x70W. 150x80x35mm. <b>M070622</b> For HIT 1x150W. 150x90x40mm.

# NOTHING RECESSED SQUARE/RECTANGULAR


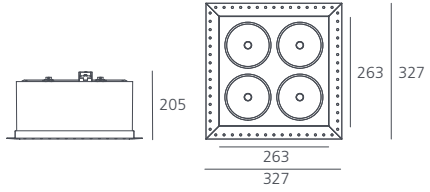











			 IP20 960° 	 170x170
<b>HIR111-CE-P (GX8,5)</b> 	<b>M069025</b> QR111 (G53) 12V 1xmax100W  0,90kg	<b>M069055</b> HIR111-CE-P (GX8,5) 1xmax70W  0,90kg		

			 IP20 960° 	 295x170
<b>HIR111-CE-P (GX8,5)</b> 	<b>M069125</b> QR111 (G53) 12V 2xmax100W  1,60kg	<b>M069155</b> HIR111-CE-P (GX8,5) 2xmax70W  1,60kg		

			 IP20 960° 	 420x170
<b>HIR111-CE-P (GX8,5)</b> 	<b>M069225</b> QR111 (G53) 12V 3xmax100W  2,10kg	<b>M069255</b> HIR111-CE-P (GX8,5) 3xmax70W  2,10kg	<b>M069525</b> QR111 (G53) 12V 2xmax100W + HIR111-CE-P (GX8,5) 1xmax70W  2,10kg	<b>M069625</b> QR111 (G53) 12V 1xmax100W + HIR111-CE-P (GX8,5) 2xmax70W  2,10kg

			 IP20 960° 	 545x170
<b>HIR111-CE-P (GX8,5)</b> 	<b>M069325</b> QR111 (G53) 12V 4xmax100W  2,70kg	<b>M069355</b> HIR111-CE-P (GX8,5) 4xmax70W  2,70kg		

## NOTHING RECESSED SQUARE

		 												
<p>QR111 (G53) </p> <p>HIR111-CE-P (GX8,5) </p>	<p>IP20 960° </p> <table border="1"> <thead> <tr> <th>CODE</th> <th>LIGHT SOURCE</th> <th>CLASS</th> <th>WEIGHT</th> </tr> </thead> <tbody> <tr> <td><b>M069425</b></td> <td>QR111 (G53) 12V 4xmax100W</td> <td></td> <td>2,70kg</td> </tr> <tr> <td><b>M069455</b></td> <td>HIR111-CE-P (GX8,5) 4xmax70W</td> <td></td> <td>2,70kg</td> </tr> </tbody> </table>	CODE	LIGHT SOURCE	CLASS	WEIGHT	<b>M069425</b>	QR111 (G53) 12V 4xmax100W		2,70kg	<b>M069455</b>	HIR111-CE-P (GX8,5) 4xmax70W		2,70kg	<p>295x295</p>
CODE	LIGHT SOURCE	CLASS	WEIGHT											
<b>M069425</b>	QR111 (G53) 12V 4xmax100W		2,70kg											
<b>M069455</b>	HIR111-CE-P (GX8,5) 4xmax70W		2,70kg											

## NOTHING RECESSED SQUARE/RECTANGULAR CONTROL GEARS

	<p>Electronic transformer 230-240V/12V. Class II. Dimmable by trailing or leading edge external dimmers.</p> <p><b>M070211</b> 10-60W. 123x32x23mm.</p> <p><b>M070412</b> 35-105W. 102x51x30mm.</p> <p><b>M072111</b> 35-150W. 190x38x34mm.</p>		<p>Electronic ballast 230-240V. Class I.</p> <p><b>M070322</b> For HIT 1x35W. 155x83x32mm.</p> <p><b>M070422</b> For HIT 2x35W. 180x80x34mm.</p> <p><b>M070522</b> For HIT 1x70W. 150x80x35mm.</p>
---	---	---	--


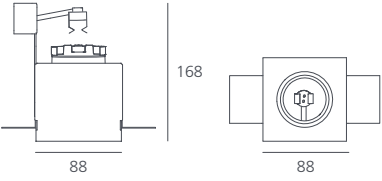











WATT 13 HOTEL, MILAN (I), CHIARA CABERLON - CABERLON CAROPPI HOTEL DESIGN.


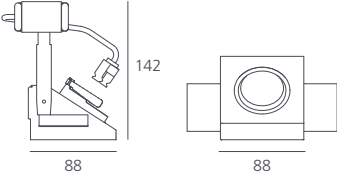









 randstad




## NOTHING RECESSED 86 DOWNLIGHT

		 90x90												
			IP20 960° ○ white											
QR-CBC51 (GU5,3)  LED (GU10) 	<table border="1"> <thead> <tr> <th>CODE</th> <th>LIGHT SOURCE</th> <th>CLASS</th> <th>WEIGHT</th> </tr> </thead> <tbody> <tr> <td><b>M139000</b></td> <td>QR-CBC51 (GU5,3) 12V max50W</td> <td></td> <td>0,40kg</td> </tr> <tr> <td><b>M137800</b></td> <td>LED (GU10) 230-240V</td> <td></td> <td>0,40kg</td> </tr> </tbody> </table>	CODE	LIGHT SOURCE	CLASS	WEIGHT	<b>M139000</b>	QR-CBC51 (GU5,3) 12V max50W		0,40kg	<b>M137800</b>	LED (GU10) 230-240V		0,40kg	
CODE	LIGHT SOURCE	CLASS	WEIGHT											
<b>M139000</b>	QR-CBC51 (GU5,3) 12V max50W		0,40kg											
<b>M137800</b>	LED (GU10) 230-240V		0,40kg											


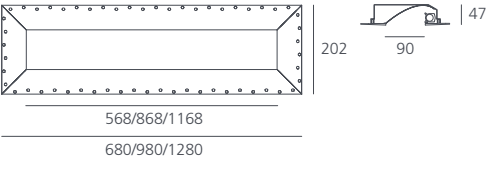




## NOTHING RECESSED 86 WALL WASHER

		 90x90												
			IP20 960° ○ white											
QR-CBC51 (GU5,3)  LED (GU10) 	<table border="1"> <thead> <tr> <th>CODE</th> <th>LIGHT SOURCE</th> <th>CLASS</th> <th>WEIGHT</th> </tr> </thead> <tbody> <tr> <td><b>M139200</b></td> <td>QR-CBC51 (GU5,3) 12V max50W</td> <td></td> <td>0,50kg</td> </tr> <tr> <td><b>M137900</b></td> <td>LED (GU10) 230-240V</td> <td></td> <td>0,50kg</td> </tr> </tbody> </table>	CODE	LIGHT SOURCE	CLASS	WEIGHT	<b>M139200</b>	QR-CBC51 (GU5,3) 12V max50W		0,50kg	<b>M137900</b>	LED (GU10) 230-240V		0,50kg	
CODE	LIGHT SOURCE	CLASS	WEIGHT											
<b>M139200</b>	QR-CBC51 (GU5,3) 12V max50W		0,50kg											
<b>M137900</b>	LED (GU10) 230-240V		0,50kg											

## NOTHING RECESSED 86 CONTROL GEAR

	<p><b>M070211</b> Electronic transformer 10-60W, 230-240V/12V. 123x32x32mm. Class II. Dimmable by trailing or leading edge external dimmers.</p>
---	--

## NOTHING RECESSED WALL WASHER

		IP20 960° 																												
			<table border="1"> <thead> <tr> <th>CODE</th> <th>LIGHT SOURCE</th> <th>LENGTH</th> <th></th> <th>WEIGHT</th> </tr> </thead> <tbody> <tr> <td><b>M067920</b></td> <td>T16 (G5) 1x24W non dimmable</td> <td>568mm</td> <td>642x164</td> <td>2,20kg</td> </tr> <tr> <td><b>M068120</b></td> <td>T16 (G5) 1x39W non dimmable</td> <td>868mm</td> <td>942x164</td> <td>3,00kg</td> </tr> <tr> <td><b>M068520</b></td> <td>T16 (G5) 1x54W non dimmable</td> <td>1168mm</td> <td>1242x164</td> <td>3,80kg</td> </tr> <tr> <td><b>M068220</b></td> <td>T16 (G5) 1x39W dimmable DALI</td> <td>868mm</td> <td>942x164</td> <td>3,00kg</td> </tr> <tr> <td><b>M068620</b></td> <td>T16 (G5) 1x54W dimmable DALI</td> <td>1168mm</td> <td>1242x164</td> <td>3,80kg</td> </tr> </tbody> </table>	CODE	LIGHT SOURCE	LENGTH		WEIGHT	<b>M067920</b>	T16 (G5) 1x24W non dimmable	568mm	642x164	2,20kg	<b>M068120</b>	T16 (G5) 1x39W non dimmable	868mm	942x164	3,00kg	<b>M068520</b>	T16 (G5) 1x54W non dimmable	1168mm	1242x164	3,80kg	<b>M068220</b>	T16 (G5) 1x39W dimmable DALI	868mm	942x164	3,00kg	<b>M068620</b>	T16 (G5) 1x54W dimmable DALI
CODE	LIGHT SOURCE	LENGTH		WEIGHT																										
<b>M067920</b>	T16 (G5) 1x24W non dimmable	568mm	642x164	2,20kg																										
<b>M068120</b>	T16 (G5) 1x39W non dimmable	868mm	942x164	3,00kg																										
<b>M068520</b>	T16 (G5) 1x54W non dimmable	1168mm	1242x164	3,80kg																										
<b>M068220</b>	T16 (G5) 1x39W dimmable DALI	868mm	942x164	3,00kg																										
<b>M068620</b>	T16 (G5) 1x54W dimmable DALI	1168mm	1242x164	3,80kg																										

photometric data: see page 427.

# NOTHING RECESSED LINEAR SYSTEM



- MODULAR SYSTEM TO BE INSTALLED IN A CONTINUOUS LINE OR AS SINGLE LUMINAIRES.
- COMPLIES WITH STANDARD EN60598-1 AND OTHER SPECIFIC STANDARD.

#### NOTHING RECESSED LINEAR SYSTEM FLUORESCENT


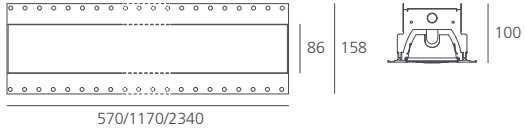
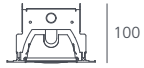



- 3 EMISSION TYPES: DARK LIGHT (WITH OPTIC MADE OF SUPER PURE ALUMINIUM,) DIFFUSING (WITH OPALINE POLYCARBONATE DIFFUSER) AND WALL WASHER (WITH ALUMINIUM ASYMMETRIC REFLECTOR).
- 3 LENGTH OPTIONS: 570MM (1X24W T16), 1170MM (1X54W T16) AND 2200 OR 2340MM (2X54W T16).

- DARK LIGHT EMISSION IS IN COMPLIANCE WITH EN 12464-1 STANDARD, WITH AVERAGE LUMINANCE LEVELS LOWER THAN THE 1000 CD/M<sup>2</sup> LIMIT FOR AN OBSERVATION ANGLE OF 65° OR ABOVE WITH RESPECT TO THE VERTICAL AXIS. LIGHT OUTPUT RATIO: 64%.
- DIFFUSING VERSION IS DESIGNED WITH MOVABLE LAMP HOLDERS ENABLING THE OVERLAPPING OF LAMPS AS TO GUARANTEE UNIFORM DIFFUSION WITHOUT SHADOWS.
- ELECTRONIC BALLAST OR DALI-SWITCHDIM DIMMABLE ELECTRONIC BALLAST.
- END CAPS TO BE ORDERED SEPARATELY.

#### NOTHING RECESSED LINEAR SYSTEM MULTISPOT


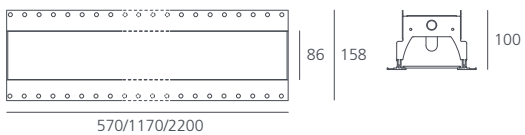




- SPOTLIGHTING SYSTEM CONSISTING OF A RECESSED STRUCTURE AVAILABLE IN 2 SIZE OPTIONS, AND LIGHTING MODULES WITH 3 INTEGRAL SPOTLIGHTS USING 12V HALOGEN AND METAL-HALIDE LAMPS.
- EACH SPOTLIGHT MAY BE ADJUSTED BY UP TO 30° IN ALL DIRECTIONS.
- COMBINATION WITH NOTHING LINEAR SYSTEM DIFFUSER AND DARK LIGHT VERSIONS POSSIBLE BY MEANS OF AN INTERMEDIATE CONNECTOR TO BE ORDERED SEPARATELY.
- REMOTE CONTROL GEAR.

## NOTHING RECESSED LINEAR SYSTEM DARK LIGHT

			 120x(ΣL+10mm)		
				Ⓟ Ⓡ IP20 960° 	
T16 (G5)		<b>CODE</b> <b>LIGHT SOURCE</b> <b>LENGTH</b> <b>WEIGHT</b>			
		<b>M171500</b>	T16 (G5) 1x24W non dimmable	570mm	2,40kg
		<b>M171600</b>	T16 (G5) 1x54W non dimmable	1170mm	4,20kg
		<b>M171700</b>	T16 (G5) 2x54W non dimmable	2340mm	8,40kg
		<b>M171607</b>	T16 (G5) 1x54W non dimmable + emergency 1h	1170mm	4,80kg
		<b>M171501</b>	T16 (G5) 1x24W dimmable DALI	570mm	2,40kg
		<b>M171601</b>	T16 (G5) 1x54W dimmable DALI	1170mm	4,20kg
		<b>M171701</b>	T16 (G5) 2x28-54W dimmable DALI	2340mm	8,40kg


photometric data: see page 427.

## NOTHING RECESSED LINEAR SYSTEM DIFFUSER

			 120x(ΣL+10mm)		
				Ⓟ Ⓡ IP20 960° 	
T16 (G5)		<b>CODE</b> <b>LIGHT SOURCE</b> <b>LENGTH</b> <b>WEIGHT</b>			
		<b>M171800</b>	T16 (G5) 1x24W non dimmable	570mm	2,40kg
		<b>M171900</b>	T16 (G5) 1x54W non dimmable	1170mm	4,20kg
		<b>M172000</b>	T16 (G5) 2x54W non dimmable	2200mm	8,20kg
		<b>M171907</b>	T16 (G5) 1x54W non dimmable + emergency 1h	1170mm	4,80kg
		<b>M171801</b>	T16 (G5) 1x24W dimmable DALI	570mm	2,40kg
		<b>M171901</b>	T16 (G5) 1x54W dimmable DALI	1170mm	4,20kg
		<b>M172001</b>	T16 (G5) 2x28-54W dimmable DALI	2200mm	8,20kg

photometric data: see page 427.


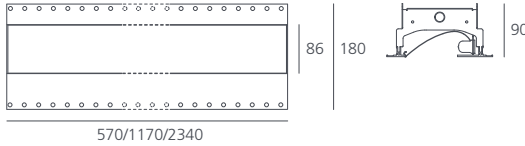




## NOTHING RECESSED LINEAR SYSTEM ACCESSORIES

	<b>M172400</b> End caps (set of 2). For DARK LIGHT and DIFFUSER versions.
INTERACTIVE-DALI TECHNOLOGY	INTERACTIVE-DALI components: see page 409.




ASSOCIAZIONE BANCARIA ITALIANA, ROME (I), PROGETTO CMR.  
PAGE 90: BANG & OLUFSEN SHOWROOM, MILAN (I), SANDRO MARINI  
AND ILARIO PESCO.

# NOTHING RECESSED LINEAR SYSTEM WALL WASHER

		 150x(ΣL+10mm)																												
	  																													
T16 (G5)																														
	<table border="1"> <thead> <tr> <th>CODE</th> <th>LIGHT SOURCE</th> <th>LENGTH</th> <th>WEIGHT</th> </tr> </thead> <tbody> <tr> <td><b>M172100</b></td> <td>T16 (G5) 1x24W non dimmable</td> <td>570mm</td> <td>2,20kg</td> </tr> <tr> <td><b>M172200</b></td> <td>T16 (G5) 1x54W non dimmable</td> <td>1170mm</td> <td>3,80kg</td> </tr> <tr> <td><b>M172300</b></td> <td>T16 (G5) 2x54W non dimmable</td> <td>2340mm</td> <td>7,20kg</td> </tr> <tr> <td><b>M172101</b></td> <td>T16 (G5) 1x24W dimmable DALI</td> <td>570mm</td> <td>2,20kg</td> </tr> <tr> <td><b>M172201</b></td> <td>T16 (G5) 1x54W dimmable DALI</td> <td>1170mm</td> <td>3,80kg</td> </tr> <tr> <td><b>M172301</b></td> <td>T16 (G5) 2x28-54W dimmable DALI</td> <td>2340mm</td> <td>7,20kg</td> </tr> </tbody> </table>	CODE	LIGHT SOURCE	LENGTH	WEIGHT	<b>M172100</b>	T16 (G5) 1x24W non dimmable	570mm	2,20kg	<b>M172200</b>	T16 (G5) 1x54W non dimmable	1170mm	3,80kg	<b>M172300</b>	T16 (G5) 2x54W non dimmable	2340mm	7,20kg	<b>M172101</b>	T16 (G5) 1x24W dimmable DALI	570mm	2,20kg	<b>M172201</b>	T16 (G5) 1x54W dimmable DALI	1170mm	3,80kg	<b>M172301</b>	T16 (G5) 2x28-54W dimmable DALI	2340mm	7,20kg	
CODE	LIGHT SOURCE	LENGTH	WEIGHT																											
<b>M172100</b>	T16 (G5) 1x24W non dimmable	570mm	2,20kg																											
<b>M172200</b>	T16 (G5) 1x54W non dimmable	1170mm	3,80kg																											
<b>M172300</b>	T16 (G5) 2x54W non dimmable	2340mm	7,20kg																											
<b>M172101</b>	T16 (G5) 1x24W dimmable DALI	570mm	2,20kg																											
<b>M172201</b>	T16 (G5) 1x54W dimmable DALI	1170mm	3,80kg																											
<b>M172301</b>	T16 (G5) 2x28-54W dimmable DALI	2340mm	7,20kg																											

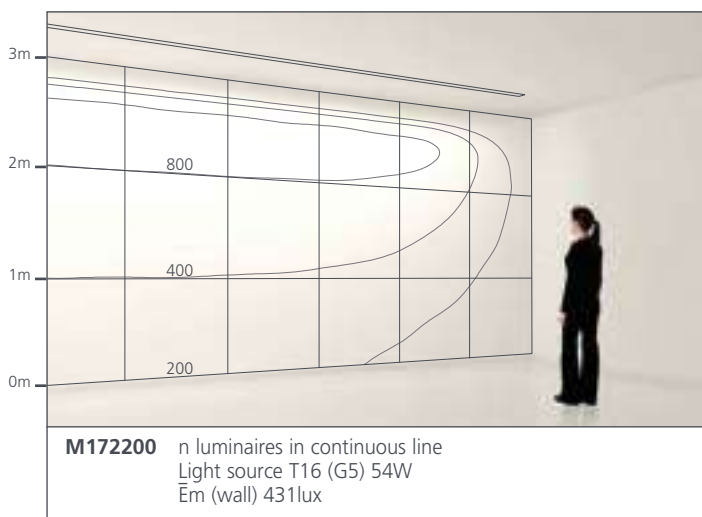
photometric data: see page 427.

# NOTHING RECESSED LINEAR SYSTEM WALL WASHER ACCESSORIES

	<p><b>M172500</b> End caps (set of 2). For WALL WASHER version.</p>
---	---

# NOTHING RECESSED LINEAR SYSTEM WALL WASHER ISOLUX

Calculation parameters for issuing isolux curve diagrams 54W (n luminaires in continuous line): Length x height 10,00x3,00m. Reflectance factors ceiling/walls/floor 70/50/20%. Distance from wall to illuminate 1,00m. Distance from side wall 1,00m. Maintenance factor 0,90WF.



## NOTHING RECESSED LINEAR SYSTEM MULTISPOT RECESSED STRUCTURE

	IP20 960°														
<table border="1"> <thead> <tr> <th>CODE</th> <th>VERSION</th> <th>LENGTH</th> <th>WEIGHT</th> </tr> </thead> <tbody> <tr> <td><b>M182700</b></td> <td>For 1 lighting module</td> <td>360mm</td> <td>2,50kg</td> </tr> <tr> <td><b>M182800</b></td> <td>For 3 lighting modules</td> <td>1075mm</td> <td>4,20kg</td> </tr> </tbody> </table>		CODE	VERSION	LENGTH	WEIGHT	<b>M182700</b>	For 1 lighting module	360mm	2,50kg	<b>M182800</b>	For 3 lighting modules	1075mm	4,20kg		
CODE	VERSION	LENGTH	WEIGHT												
<b>M182700</b>	For 1 lighting module	360mm	2,50kg												
<b>M182800</b>	For 3 lighting modules	1075mm	4,20kg												

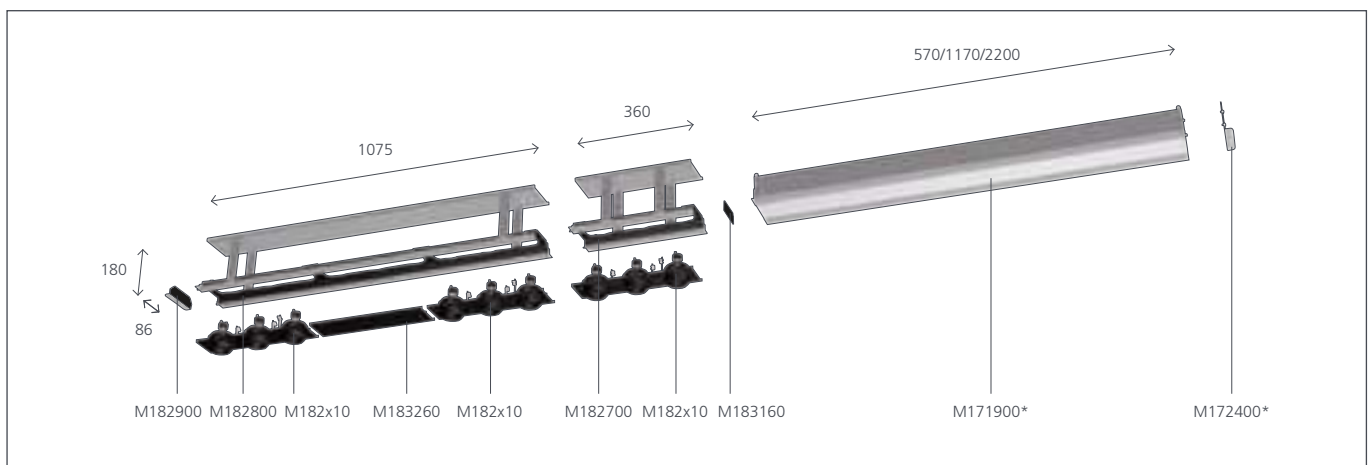
## NOTHING RECESSED LINEAR SYSTEM MULTISPOT LIGHTING MODULE

	● black																																
<table border="1"> <thead> <tr> <th>QR-CBC51 (GU5,3)</th> <th>HIPAR51-CE-P (GX10)</th> <th>CODE</th> <th>LIGHT SOURCE</th> <th>CLASS</th> <th>WEIGHT</th> </tr> </thead> <tbody> <tr> <td><input type="checkbox"/></td> <td><input type="checkbox"/></td> <td><b>M182210</b></td> <td>QR-CBC51 (GU5,3) 12V 3xmax50W</td> <td>◆</td> <td>0,90kg</td> </tr> <tr> <td><input type="checkbox"/></td> <td><input type="checkbox"/></td> <td><b>M182510</b></td> <td>HIPAR51-CE-P (GX10) 3xmax35W</td> <td>□</td> <td>0,90kg</td> </tr> <tr> <td><input type="checkbox"/></td> <td><input type="checkbox"/></td> <td><b>M182310</b></td> <td>QR-CBC51 (GU5,3) 12V 2xmax50W + HIPAR51-CE-P (GX10) 1xmax35W</td> <td>□</td> <td>0,90kg</td> </tr> <tr> <td><input type="checkbox"/></td> <td><input type="checkbox"/></td> <td><b>M182410</b></td> <td>QR-CBC51 (GU5,3) 12V 1xmax50W + HIPAR51-CE-P (GX10) 2xmax35W</td> <td>□</td> <td>0,90kg</td> </tr> </tbody> </table>		QR-CBC51 (GU5,3)	HIPAR51-CE-P (GX10)	CODE	LIGHT SOURCE	CLASS	WEIGHT	<input type="checkbox"/>	<input type="checkbox"/>	<b>M182210</b>	QR-CBC51 (GU5,3) 12V 3xmax50W	◆	0,90kg	<input type="checkbox"/>	<input type="checkbox"/>	<b>M182510</b>	HIPAR51-CE-P (GX10) 3xmax35W	□	0,90kg	<input type="checkbox"/>	<input type="checkbox"/>	<b>M182310</b>	QR-CBC51 (GU5,3) 12V 2xmax50W + HIPAR51-CE-P (GX10) 1xmax35W	□	0,90kg	<input type="checkbox"/>	<input type="checkbox"/>	<b>M182410</b>	QR-CBC51 (GU5,3) 12V 1xmax50W + HIPAR51-CE-P (GX10) 2xmax35W	□	0,90kg		
QR-CBC51 (GU5,3)	HIPAR51-CE-P (GX10)	CODE	LIGHT SOURCE	CLASS	WEIGHT																												
<input type="checkbox"/>	<input type="checkbox"/>	<b>M182210</b>	QR-CBC51 (GU5,3) 12V 3xmax50W	◆	0,90kg																												
<input type="checkbox"/>	<input type="checkbox"/>	<b>M182510</b>	HIPAR51-CE-P (GX10) 3xmax35W	□	0,90kg																												
<input type="checkbox"/>	<input type="checkbox"/>	<b>M182310</b>	QR-CBC51 (GU5,3) 12V 2xmax50W + HIPAR51-CE-P (GX10) 1xmax35W	□	0,90kg																												
<input type="checkbox"/>	<input type="checkbox"/>	<b>M182410</b>	QR-CBC51 (GU5,3) 12V 1xmax50W + HIPAR51-CE-P (GX10) 2xmax35W	□	0,90kg																												

## NOTHING RECESSED LINEAR SYSTEM MULTISPOT ACCESSORIES

	<b>M183260</b> Cover (blind panel) 356mm.  ● black		Electronic transformer 230-240V/12V. Class II. Dimmable by trailing or leading edge dimmers.  <b>M070211</b> 10-60W. 123x32x23mm. <b>M070412</b> 35-105W. 102x51x30mm. <b>M072111</b> 35-150W. 189x38x34mm.
	<b>M182900</b> End terminal (set of 2).		Electronic ballast 230-240V. Class I.  <b>M070322</b> HIT 1x35W. 155x83x32mm. <b>M070422</b> HIT 2x35W. 180x80x34mm.
	<b>M183160</b> Intermediate connector for combining NOTHING RECESSED LINEAR SYSTEM MULTISPOT with NOTHING RECESSED LINEAR SYSTEM DARK LIGHT or DIFFUSER.		

## NOTHING RECESSED LINEAR SYSTEM COMBINATION



\*see page 91.

# NOTHING CEILING




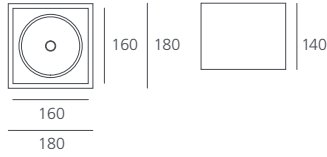




- A RANGE OF CEILING LIGHTS USING QR111 12V HALOGEN AND HIR111 METAL HALIDE LAMPS.
- 4 MODELS: SQUARE WITH 1 LAMP AND RECTANGULAR WITH 2, 3 OR 4 LAMPS.
- EXTRUDED ALUMINIUM BODY WITH A WHITE PAINT FINISH.
- EACH SPOTLIGHT MAY BE ADJUSTED INDIVIDUALLY WITH A TILT ANGLE OF UP TO 40° AND ROTATION OF UP 355°.
- ELECTRONIC CONTROL GEAR.
- COMPLIES WITH STANDARD EN60598-1 AND OTHER SPECIFIC STANDARDS.


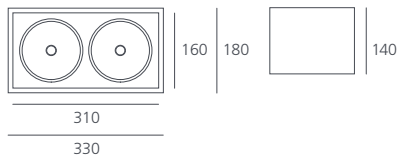
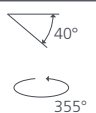


# NOTHING CEILING


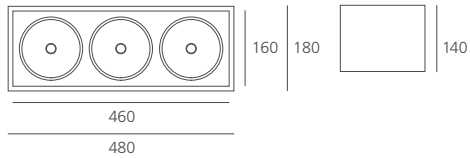






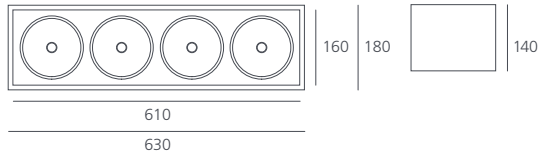



## NOTHING CEILING SQUARE

								
			⚡ ⚡ IP20 850° ○ white					
QR111 (G53) 	<table border="1"> <thead> <tr> <th>CODE</th> <th>LIGHT SOURCE</th> <th>WEIGHT</th> </tr> </thead> <tbody> <tr> <td><b>M180020*</b></td> <td>QR111 (G53) 12V 1xmax75W</td> <td>2,20kg</td> </tr> </tbody> </table>	CODE	LIGHT SOURCE	WEIGHT	<b>M180020*</b>	QR111 (G53) 12V 1xmax75W	2,20kg	
CODE	LIGHT SOURCE	WEIGHT						
<b>M180020*</b>	QR111 (G53) 12V 1xmax75W	2,20kg						

## NOTHING CEILING RECTANGULAR

											
			⚡ ⚡ IP20 850° ○ white								
QR111 (G53)  HIR111-CE-P (GX8,5) 	<table border="1"> <thead> <tr> <th>CODE</th> <th>LIGHT SOURCE</th> <th>WEIGHT</th> </tr> </thead> <tbody> <tr> <td><b>M180220*</b></td> <td>QR111 (G53) 12V 2xmax75W</td> <td>3,40kg</td> </tr> <tr> <td><b>M181120*</b></td> <td>QR111 (G53) 12V 1xmax75W + HIR111-CE-P (GX8,5) 1xmax35W</td> <td>3,40kg</td> </tr> </tbody> </table>	CODE	LIGHT SOURCE	WEIGHT	<b>M180220*</b>	QR111 (G53) 12V 2xmax75W	3,40kg	<b>M181120*</b>	QR111 (G53) 12V 1xmax75W + HIR111-CE-P (GX8,5) 1xmax35W	3,40kg	
CODE	LIGHT SOURCE	WEIGHT									
<b>M180220*</b>	QR111 (G53) 12V 2xmax75W	3,40kg									
<b>M181120*</b>	QR111 (G53) 12V 1xmax75W + HIR111-CE-P (GX8,5) 1xmax35W	3,40kg									

														
			⚡ ⚡ IP20 850° ○ white											
QR111 (G53)  HIR111-CE-P (GX8,5) 	<table border="1"> <thead> <tr> <th>CODE</th> <th>LIGHT SOURCE</th> <th>WEIGHT</th> </tr> </thead> <tbody> <tr> <td><b>M180420*</b></td> <td>QR111 (G53) 12V 3xmax75W</td> <td>4,60kg</td> </tr> <tr> <td><b>M180620*</b></td> <td>QR111 (G53) 12V 2xmax75W + HIR111-CE-P (GX8,5) 1xmax35W</td> <td>4,60kg</td> </tr> <tr> <td><b>M180720*</b></td> <td>QR111 (G53) 12V 1xmax75W + HIR111-CE-P (GX8,5) 2xmax35W</td> <td>4,60kg</td> </tr> </tbody> </table>	CODE	LIGHT SOURCE	WEIGHT	<b>M180420*</b>	QR111 (G53) 12V 3xmax75W	4,60kg	<b>M180620*</b>	QR111 (G53) 12V 2xmax75W + HIR111-CE-P (GX8,5) 1xmax35W	4,60kg	<b>M180720*</b>	QR111 (G53) 12V 1xmax75W + HIR111-CE-P (GX8,5) 2xmax35W	4,60kg	
CODE	LIGHT SOURCE	WEIGHT												
<b>M180420*</b>	QR111 (G53) 12V 3xmax75W	4,60kg												
<b>M180620*</b>	QR111 (G53) 12V 2xmax75W + HIR111-CE-P (GX8,5) 1xmax35W	4,60kg												
<b>M180720*</b>	QR111 (G53) 12V 1xmax75W + HIR111-CE-P (GX8,5) 2xmax35W	4,60kg												

											
			⚡ ⚡ IP20 850° ○ white								
QR111 (G53)  HIR111-CE-P (GX8,5) 	<table border="1"> <thead> <tr> <th>CODE</th> <th>LIGHT SOURCE</th> <th>WEIGHT</th> </tr> </thead> <tbody> <tr> <td><b>M180820*</b></td> <td>QR111 (G53) 12V 4xmax75W</td> <td>5,80kg</td> </tr> <tr> <td><b>M181020*</b></td> <td>QR111 (G53) 12V 2xmax75W + HIR111-CE-P (GX8,5) 2xmax35W</td> <td>5,80kg</td> </tr> </tbody> </table>	CODE	LIGHT SOURCE	WEIGHT	<b>M180820*</b>	QR111 (G53) 12V 4xmax75W	5,80kg	<b>M181020*</b>	QR111 (G53) 12V 2xmax75W + HIR111-CE-P (GX8,5) 2xmax35W	5,80kg	
CODE	LIGHT SOURCE	WEIGHT									
<b>M180820*</b>	QR111 (G53) 12V 4xmax75W	5,80kg									
<b>M181020*</b>	QR111 (G53) 12V 2xmax75W + HIR111-CE-P (GX8,5) 2xmax35W	5,80kg									

\*Integral electronic transformer 230-240V/12V. Dimmable by trailing and leading edge external dimmer.

# ANDROMEDA

design ERNESTO GISMONDI



- A RANGE OF MULTISOURCE LUMINAIRES COMBINING DIFFUSED LIGHTING VIA T16 AND T16-R FLUORESCENT LAMPS AND ACCENT LIGHTING VIA 1, 2, 3 OR 4 ADJUSTABLE SPOTLIGHTS USING 12V HALOGEN AND METAL-HALIDE LAMPS.
- 3 OPTIONS AVAILABLE: RECESSED, CEILING, OR PENDANT WITH DIRECT LIGHTING.
- EXTRUDED ALUMINIUM BODY WITH GREY PAINT FINISH. POLYCARBONATE DIFFUSER. DIE-CAST ALUMINIUM SPOTLIGHTS IN STEEL BOXES WITH A BLACK PAINT FINISH.
- EACH SPOT CAN BE DIRECTED INDIVIDUALLY: TILT ANGLE RANGING FROM  $-10^{\circ}$  TO  $+70^{\circ}$ , ROTATION OF UP TO  $355^{\circ}$ .
- THE RECESSED VERSION CAN BE INSTALLED INTO PLASTERBOARD FALSE CEILINGS, USING THE RECESSING FRAME PROVIDED, AND INTO FALSE CEILINGS SYSTEMS WITH 600x600MM AND 625x625MM MODULES.
- INTEGRAL ELECTRONIC CONTROL GEAR.
- INTEGRAL ELECTRONIC TRANSFORMER FOR THE HALOGEN ACCENT LIGHTING, DIMMABLE BY TRAILING EDGE EXTERNAL DIMMERS.
- 2 SEPARATE SWITCH CIRCUITS FOR THE INDEPENDENT CONTROL OF THE DIFFUSED AND ACCENT LIGHTING FUNCTIONS.
- COMPLIES WITH STANDARD EN60598-1 AND OTHER SPECIFIC STANDARDS.

## ANDROMEDA RECESSED



300x300



300x600



300x900



300x1200



600x600

## ANDROMEDA CEILING



300x300



300x600



300x900



300x1200



600x600

## ANDROMEDA SUSPENSION DIRECT EMISSION



300x300



300x600



300x900



300x1200













600x600




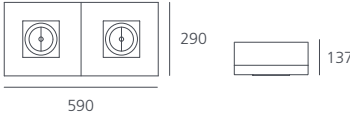










## ANDROMEDA RECESSED 300x300

		 without finish frame 292x292												
		 with finish frame 297x297												
														
T16-R (2GX13)  QR111 (G53)  QR-CBC51 (GU5,3)  HIR111-CE-P (GX8,5) 	<table border="1"> <thead> <tr> <th>CODE</th> <th>LIGHT SOURCE</th> <th>WEIGHT</th> </tr> </thead> <tbody> <tr> <td><b>M115020</b></td> <td>T16-R (2GX13) 1x22W + QR111 (G53) 12V 1xmax50W</td> <td>3,50kg</td> </tr> <tr> <td><b>M115040</b></td> <td>T16-R (2GX13) 1x22W + QR-CBC51 (GU5,3) 12V 1xmax50W</td> <td>3,50kg</td> </tr> <tr> <td><b>M115050</b></td> <td>T16-R (2GX13) 1x22W + HIR111-CE-P (GX8,5) 1xmax35W</td> <td>3,50kg</td> </tr> </tbody> </table>	CODE	LIGHT SOURCE	WEIGHT	<b>M115020</b>	T16-R (2GX13) 1x22W + QR111 (G53) 12V 1xmax50W	3,50kg	<b>M115040</b>	T16-R (2GX13) 1x22W + QR-CBC51 (GU5,3) 12V 1xmax50W	3,50kg	<b>M115050</b>	T16-R (2GX13) 1x22W + HIR111-CE-P (GX8,5) 1xmax35W	3,50kg	
CODE	LIGHT SOURCE	WEIGHT												
<b>M115020</b>	T16-R (2GX13) 1x22W + QR111 (G53) 12V 1xmax50W	3,50kg												
<b>M115040</b>	T16-R (2GX13) 1x22W + QR-CBC51 (GU5,3) 12V 1xmax50W	3,50kg												
<b>M115050</b>	T16-R (2GX13) 1x22W + HIR111-CE-P (GX8,5) 1xmax35W	3,50kg												

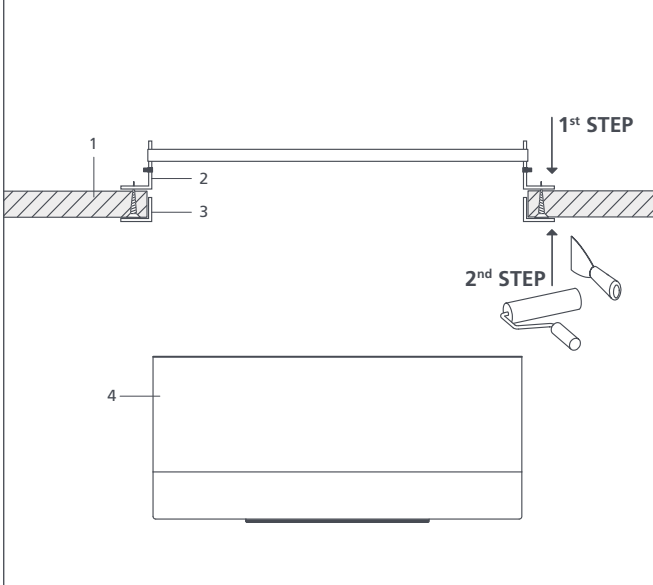
photometric data: see page 419.

## ANDROMEDA RECESSED 300x600

		 without finish frame 292x592												
		 with finish frame 297x597												
														
T16 (G5)  QR111 (G53)  QR-CBC51 (GU5,3)  HIR111-CE-P (GX8,5) 	<table border="1"> <thead> <tr> <th>CODE</th> <th>LIGHT SOURCE</th> <th>WEIGHT</th> </tr> </thead> <tbody> <tr> <td><b>M115220</b></td> <td>T16 (G5) 2x24W + QR111 (G53) 12V 2xmax50W</td> <td>5,80kg</td> </tr> <tr> <td><b>M115240</b></td> <td>T16 (G5) 2x24W + QR-CBC51 (GU5,3) 12V 2xmax50W</td> <td>5,80kg</td> </tr> <tr> <td><b>M115250</b></td> <td>T16 (G5) 2x24W + HIR111-CE-P (GX8,5) 2xmax35W</td> <td>5,80kg</td> </tr> </tbody> </table>	CODE	LIGHT SOURCE	WEIGHT	<b>M115220</b>	T16 (G5) 2x24W + QR111 (G53) 12V 2xmax50W	5,80kg	<b>M115240</b>	T16 (G5) 2x24W + QR-CBC51 (GU5,3) 12V 2xmax50W	5,80kg	<b>M115250</b>	T16 (G5) 2x24W + HIR111-CE-P (GX8,5) 2xmax35W	5,80kg	
CODE	LIGHT SOURCE	WEIGHT												
<b>M115220</b>	T16 (G5) 2x24W + QR111 (G53) 12V 2xmax50W	5,80kg												
<b>M115240</b>	T16 (G5) 2x24W + QR-CBC51 (GU5,3) 12V 2xmax50W	5,80kg												
<b>M115250</b>	T16 (G5) 2x24W + HIR111-CE-P (GX8,5) 2xmax35W	5,80kg												

photometric data: see page 419.

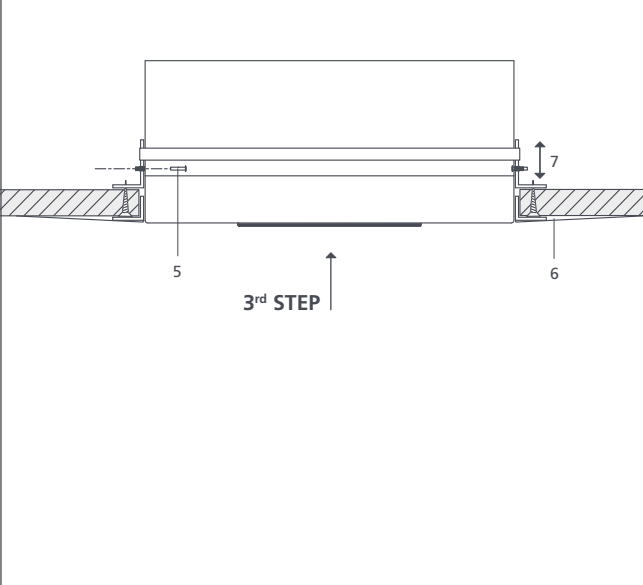
## ANDROMEDA RECESSED INSTALLATION INTO PLASTERBOARD FALSE CEILINGS



**1<sup>st</sup> STEP**  
Screw the fixing frame onto the ceiling.

**2<sup>nd</sup> STEP**  
Install finish frame. Apply plaster and paint coats.





1 Plasterboard false ceiling.  
2 Fixing frame.  
3 Finish frame.  
4 Luminaire body.



**3<sup>rd</sup> STEP**  
Recess the luminaire into the ceiling and screw to the fixing frame. Adjust luminaire recess depth if required.

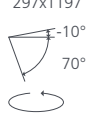
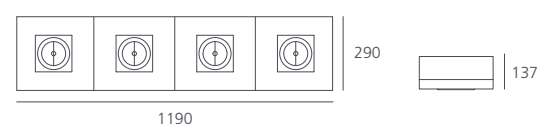
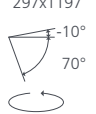

5 Screws for fixing luminaire to the fixing frame.  
6 Plaster finish coat + paint coat.  
7 Height adjustment system.

## ANDROMEDA RECESSED 300x900

		
	<p>without finish frame 292x892</p> <p>with finish frame 297x897</p>	<p>⊕ ⚡ IP20 850° </p>
<p>T16 (G5)</p> <p>QR111 (G53)</p> <p>QR-CBC51 (GU5,3)</p> <p>HIR111-CE-P (GX8,5)</p>	<p><b>CODE</b></p> <p><b>LIGHT SOURCE</b></p> <p><b>WEIGHT</b></p>	<p><b>CODE</b></p> <p><b>LIGHT SOURCE</b></p> <p><b>WEIGHT</b></p>
	<p><b>M115320</b> T16 (G5) 2x21W + QR111 (G53) 12V 3xmax50W 8,20kg</p>	<p><b>M115320</b> T16 (G5) 2x21W + QR111 (G53) 12V 3xmax50W 8,20kg</p>
	<p><b>M115340</b> T16 (G5) 2x21W + QR-CBC51 (GU5,3) 12V 3xmax50W 8,20kg</p>	<p><b>M115340</b> T16 (G5) 2x21W + QR-CBC51 (GU5,3) 12V 3xmax50W 8,20kg</p>
	<p><b>M115350</b> T16 (G5) 2x21W + HIR111-CE-P (GX8,5) 3xmax35W 8,20kg</p>	<p><b>M115350</b> T16 (G5) 2x21W + HIR111-CE-P (GX8,5) 3xmax35W 8,20kg</p>

photometric data: see page 419.

## ANDROMEDA RECESSED 300x1200

		
	<p>without finish frame 292x1192</p> <p>with finish frame 297x1197</p>	<p>⊕ ⚡ IP20 850° </p>
<p>T16 (G5)</p> <p>QR111 (G53)</p> <p>QR-CBC51 (GU5,3)</p> <p>HIR111-CE-P (GX8,5)</p>	<p><b>CODE</b></p> <p><b>LIGHT SOURCE</b></p> <p><b>WEIGHT</b></p>	<p><b>CODE</b></p> <p><b>LIGHT SOURCE</b></p> <p><b>WEIGHT</b></p>
	<p><b>M115420</b> T16 (G5) 2x28W + QR111 (G53) 12V 4xmax50W 9,20kg</p>	<p><b>M115420</b> T16 (G5) 2x28W + QR111 (G53) 12V 4xmax50W 9,20kg</p>
	<p><b>M115440</b> T16 (G5) 2x28W + QR-CBC51 (GU5,3) 12V 4xmax50W 9,20kg</p>	<p><b>M115440</b> T16 (G5) 2x28W + QR-CBC51 (GU5,3) 12V 4xmax50W 9,20kg</p>
	<p><b>M115450</b> T16 (G5) 2x28W + HIR111-CE-P (GX8,5) 4xmax35W 9,20kg</p>	<p><b>M115450</b> T16 (G5) 2x28W + HIR111-CE-P (GX8,5) 4xmax35W 9,20kg</p>

photometric data: see page 419.



ABOVE AND PAGE 106-107: ERNST & YOUNG, ADELAIDE (AUS), WOODS BAGOT.

## ANDROMEDA RECESSED 600x600

			without finish frame 592x592  with finish frame 597x597
T16 (G5) QR111 (G53) QR-CBC51 (GU5,3) HIR111-CE-P (GX8,5)		<b>CODE</b> <b>LIGHT SOURCE</b> <b>WEIGHT</b>	
		<b>M115620</b> T16 (G5) 3x24W + QR111 (G53) 12V 4xmax50W      10,20kg	
		<b>M115640</b> T16 (G5) 3x24W + QR-CBC51 (GU5,3) 12V 4xmax50W      10,20kg	
		<b>M115650</b> T16 (G5) 3x24W + HIR111-CE-P (GX8,5) 4xmax35W      10,20kg	

photometric data: see page 419.

## ANDROMEDA RECESSED 600x600 FOR FALSE CEILING 24MM GRID


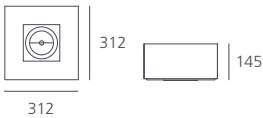







			without finish frame 592x592  with finish frame 597x597
T16 (G5) QR111 (G53) QR-CBC51 (GU5,3) HIR111-CE-P (GX8,5)		<b>CODE</b> <b>LIGHT SOURCE</b> <b>WEIGHT</b>	
		<b>FALSE CEILING 600x600mm</b>	
		<b>M114920</b> T16 (G5) 3x24W + QR111 (G53) 12V 4xmax50W      9,40kg	
		<b>M114940</b> T16 (G5) 3x24W + QR-CBC51 (GU5,3) 12V 4xmax50W      9,40kg	
		<b>M114950</b> T16 (G5) 3x24W + HIR111-CE-P (GX8,5) 4xmax35W      9,40kg	
		<b>FALSE CEILING 625x625mm</b>	
		<b>M114922</b> T16 (G5) 3x24W + QR111 (G53) 12V 4xmax50W      9,50kg	
		<b>M114942</b> T16 (G5) 3x24W + QR-CBC51 (GU5,3) 12V 4xmax50W      9,50kg	
		<b>M114952</b> T16 (G5) 3x24W + HIR111-CE-P (GX8,5) 4xmax35W      9,50kg	

photometric data: see page 419.

## ANDROMEDA RECESSED INSTALLATION INTO FALSE CEILING SYSTEMS










1 Ceiling tile. 2 Main runner. 3 Luminaire.	
	<b>WARNING</b> For installation in suspended ceilings with 24mm main runner only.

## ANDROMEDA CEILING 300x300

														
			  IP20 850° ● grey											
T16-R (2GX13)  QR111 (G53)  QR-CBC51 (GU5,3)  HIR111-CE-P (GX8,5) 	<table border="1"> <thead> <tr> <th>CODE</th> <th>LIGHT SOURCE</th> <th>WEIGHT</th> </tr> </thead> <tbody> <tr> <td><b>M115720</b></td> <td>T16-R (2GX13) 1x22W + QR111 (G53) 12V 1xmax50W</td> <td>4,00kg</td> </tr> <tr> <td><b>M115740</b></td> <td>T16-R (2GX13) 1x22W + QR-CBC51 (GU5,3) 12V 1xmax50W</td> <td>4,00kg</td> </tr> <tr> <td><b>M115750</b></td> <td>T16-R (2GX13) 1x22W + HIR111-CE-P (GX8,5) 1xmax35W</td> <td>4,00kg</td> </tr> </tbody> </table>	CODE	LIGHT SOURCE	WEIGHT	<b>M115720</b>	T16-R (2GX13) 1x22W + QR111 (G53) 12V 1xmax50W	4,00kg	<b>M115740</b>	T16-R (2GX13) 1x22W + QR-CBC51 (GU5,3) 12V 1xmax50W	4,00kg	<b>M115750</b>	T16-R (2GX13) 1x22W + HIR111-CE-P (GX8,5) 1xmax35W	4,00kg	
CODE	LIGHT SOURCE	WEIGHT												
<b>M115720</b>	T16-R (2GX13) 1x22W + QR111 (G53) 12V 1xmax50W	4,00kg												
<b>M115740</b>	T16-R (2GX13) 1x22W + QR-CBC51 (GU5,3) 12V 1xmax50W	4,00kg												
<b>M115750</b>	T16-R (2GX13) 1x22W + HIR111-CE-P (GX8,5) 1xmax35W	4,00kg												










photometric data: see page 428.

## ANDROMEDA CEILING 300x600

														
			  IP20 850° ● grey											
T16 (G5)  QR111 (G53)  QR-CBC51 (GU5,3)  HIR111-CE-P (GX8,5) 	<table border="1"> <thead> <tr> <th>CODE</th> <th>LIGHT SOURCE</th> <th>WEIGHT</th> </tr> </thead> <tbody> <tr> <td><b>M115920</b></td> <td>T16 (G5) 2x24W + QR111 (G53) 12V 2xmax50W</td> <td>6,80kg</td> </tr> <tr> <td><b>M115940</b></td> <td>T16 (G5) 2x24W + QR-CBC51 (GU5,3) 12V 2xmax50W</td> <td>6,80kg</td> </tr> <tr> <td><b>M115950</b></td> <td>T16 (G5) 2x24W + HIR111-CE-P (GX8,5) 2xmax35W</td> <td>6,80kg</td> </tr> </tbody> </table>	CODE	LIGHT SOURCE	WEIGHT	<b>M115920</b>	T16 (G5) 2x24W + QR111 (G53) 12V 2xmax50W	6,80kg	<b>M115940</b>	T16 (G5) 2x24W + QR-CBC51 (GU5,3) 12V 2xmax50W	6,80kg	<b>M115950</b>	T16 (G5) 2x24W + HIR111-CE-P (GX8,5) 2xmax35W	6,80kg	
CODE	LIGHT SOURCE	WEIGHT												
<b>M115920</b>	T16 (G5) 2x24W + QR111 (G53) 12V 2xmax50W	6,80kg												
<b>M115940</b>	T16 (G5) 2x24W + QR-CBC51 (GU5,3) 12V 2xmax50W	6,80kg												
<b>M115950</b>	T16 (G5) 2x24W + HIR111-CE-P (GX8,5) 2xmax35W	6,80kg												


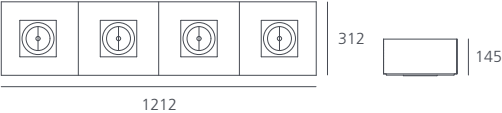
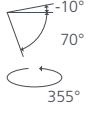







photometric data: see page 428.

## ANDROMEDA CEILING 300x900

														
			  IP20 850° ● grey											
T16 (G5)  QR111 (G53)  QR-CBC51 (GU5,3)  HIR111-CE-P (GX8,5) 	<table border="1"> <thead> <tr> <th>CODE</th> <th>LIGHT SOURCE</th> <th>WEIGHT</th> </tr> </thead> <tbody> <tr> <td><b>M116020</b></td> <td>T16 (G5) 2x21W + QR111 (G53) 12V 3xmax50W</td> <td>9,40kg</td> </tr> <tr> <td><b>M116040</b></td> <td>T16 (G5) 2x21W + QR-CBC51 (GU5,3) 12V 3xmax50W</td> <td>9,40kg</td> </tr> <tr> <td><b>M116050</b></td> <td>T16 (G5) 2x21W + HIR111-CE-P (GX8,5) 3xmax35W</td> <td>9,40kg</td> </tr> </tbody> </table>	CODE	LIGHT SOURCE	WEIGHT	<b>M116020</b>	T16 (G5) 2x21W + QR111 (G53) 12V 3xmax50W	9,40kg	<b>M116040</b>	T16 (G5) 2x21W + QR-CBC51 (GU5,3) 12V 3xmax50W	9,40kg	<b>M116050</b>	T16 (G5) 2x21W + HIR111-CE-P (GX8,5) 3xmax35W	9,40kg	
CODE	LIGHT SOURCE	WEIGHT												
<b>M116020</b>	T16 (G5) 2x21W + QR111 (G53) 12V 3xmax50W	9,40kg												
<b>M116040</b>	T16 (G5) 2x21W + QR-CBC51 (GU5,3) 12V 3xmax50W	9,40kg												
<b>M116050</b>	T16 (G5) 2x21W + HIR111-CE-P (GX8,5) 3xmax35W	9,40kg												


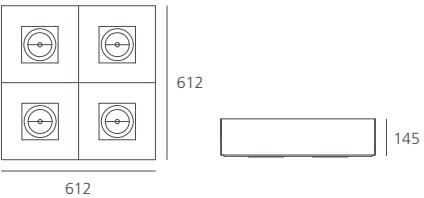








photometric data: see page 428.

## ANDROMEDA CEILING 300x1200

														
			   											
T16 (G5) QR111 (G53) QR-CBC51 (GU5,3) HIR111-CE-P (GX8,5)	  	<table border="1"> <thead> <tr> <th>CODE</th> <th>LIGHT SOURCE</th> <th>WEIGHT</th> </tr> </thead> <tbody> <tr> <td><b>M116120</b></td> <td>T16 (G5) 2x28W + QR111 (G53) 12V 4xmax50W</td> <td>11,90kg</td> </tr> <tr> <td><b>M116140</b></td> <td>T16 (G5) 2x28W + QR-CBC51 (GU5,3) 12V 4xmax50W</td> <td>11,90kg</td> </tr> <tr> <td><b>M116150</b></td> <td>T16 (G5) 2x28W + HIR111-CE-P (GX8,5) 4xmax35W</td> <td>11,90kg</td> </tr> </tbody> </table>	CODE	LIGHT SOURCE	WEIGHT	<b>M116120</b>	T16 (G5) 2x28W + QR111 (G53) 12V 4xmax50W	11,90kg	<b>M116140</b>	T16 (G5) 2x28W + QR-CBC51 (GU5,3) 12V 4xmax50W	11,90kg	<b>M116150</b>	T16 (G5) 2x28W + HIR111-CE-P (GX8,5) 4xmax35W	11,90kg
CODE	LIGHT SOURCE	WEIGHT												
<b>M116120</b>	T16 (G5) 2x28W + QR111 (G53) 12V 4xmax50W	11,90kg												
<b>M116140</b>	T16 (G5) 2x28W + QR-CBC51 (GU5,3) 12V 4xmax50W	11,90kg												
<b>M116150</b>	T16 (G5) 2x28W + HIR111-CE-P (GX8,5) 4xmax35W	11,90kg												

photometric data: see page 428.

## ANDROMEDA CEILING 600x600

														
			   											
T16 (G5) QR111 (G53) QR-CBC51 (GU5,3) HIR111-CE-P (GX8,5)	  	<table border="1"> <thead> <tr> <th>CODE</th> <th>LIGHT SOURCE</th> <th>WEIGHT</th> </tr> </thead> <tbody> <tr> <td><b>M116320</b></td> <td>T16 (G5) 3x24W + QR111 (G53) 12V 4xmax50W</td> <td>12,00kg</td> </tr> <tr> <td><b>M116340</b></td> <td>T16 (G5) 3x24W + QR-CBC51 (GU5,3) 12V 4xmax50W</td> <td>12,00kg</td> </tr> <tr> <td><b>M116350</b></td> <td>T16 (G5) 3x24W + HIR111-CE-P (GX8,5) 4xmax35W</td> <td>12,00kg</td> </tr> </tbody> </table>	CODE	LIGHT SOURCE	WEIGHT	<b>M116320</b>	T16 (G5) 3x24W + QR111 (G53) 12V 4xmax50W	12,00kg	<b>M116340</b>	T16 (G5) 3x24W + QR-CBC51 (GU5,3) 12V 4xmax50W	12,00kg	<b>M116350</b>	T16 (G5) 3x24W + HIR111-CE-P (GX8,5) 4xmax35W	12,00kg
CODE	LIGHT SOURCE	WEIGHT												
<b>M116320</b>	T16 (G5) 3x24W + QR111 (G53) 12V 4xmax50W	12,00kg												
<b>M116340</b>	T16 (G5) 3x24W + QR-CBC51 (GU5,3) 12V 4xmax50W	12,00kg												
<b>M116350</b>	T16 (G5) 3x24W + HIR111-CE-P (GX8,5) 4xmax35W	12,00kg												

photometric data: see page 428.


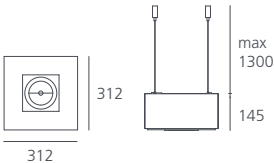










WHITE STAR ADVENTURE, MILAN (I), CARLA CELESTINO.




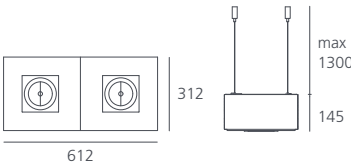










## ANDROMEDA SUSPENSION 300x300 DIRECT EMISSION

														
			  											
T16-R (2GX13)  QR111 (G53)  QR-CBC51 (GU5,3)  HIR111-CE-P (GX8,5) 	<table border="1"> <thead> <tr> <th>CODE</th> <th>LIGHT SOURCE</th> <th>WEIGHT</th> </tr> </thead> <tbody> <tr> <td><b>M116420</b></td> <td>T16-R (2GX13) 1x22W + QR111 (G53) 12V 1xmax50W</td> <td>5,40kg</td> </tr> <tr> <td><b>M116440</b></td> <td>T16-R (2GX13) 1x22W + QR-CBC51 (GU5,3) 12V 1xmax50W</td> <td>5,40kg</td> </tr> <tr> <td><b>M116450</b></td> <td>T16-R (2GX13) 1x22W + HIR111-CE-P (GX8,5) 1xmax35W</td> <td>5,40kg</td> </tr> </tbody> </table>	CODE	LIGHT SOURCE	WEIGHT	<b>M116420</b>	T16-R (2GX13) 1x22W + QR111 (G53) 12V 1xmax50W	5,40kg	<b>M116440</b>	T16-R (2GX13) 1x22W + QR-CBC51 (GU5,3) 12V 1xmax50W	5,40kg	<b>M116450</b>	T16-R (2GX13) 1x22W + HIR111-CE-P (GX8,5) 1xmax35W	5,40kg	
CODE	LIGHT SOURCE	WEIGHT												
<b>M116420</b>	T16-R (2GX13) 1x22W + QR111 (G53) 12V 1xmax50W	5,40kg												
<b>M116440</b>	T16-R (2GX13) 1x22W + QR-CBC51 (GU5,3) 12V 1xmax50W	5,40kg												
<b>M116450</b>	T16-R (2GX13) 1x22W + HIR111-CE-P (GX8,5) 1xmax35W	5,40kg												


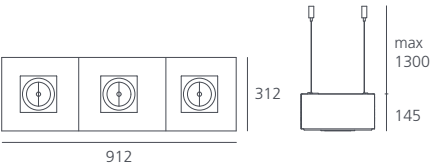








photometric data: see page 431.

## ANDROMEDA SUSPENSION 300x600 DIRECT EMISSION

														
			  											
T16 (G5)  QR111 (G53)  QR-CBC51 (GU5,3)  HIR111-CE-P (GX8,5) 	<table border="1"> <thead> <tr> <th>CODE</th> <th>LIGHT SOURCE</th> <th>WEIGHT</th> </tr> </thead> <tbody> <tr> <td><b>M116620</b></td> <td>T16 (G5) 2x24W + QR111 (G53) 12V 2xmax50W</td> <td>8,90kg</td> </tr> <tr> <td><b>M116640</b></td> <td>T16 (G5) 2x24W + QR-CBC51 (GU5,3) 12V 2xmax50W</td> <td>8,90kg</td> </tr> <tr> <td><b>M116650</b></td> <td>T16 (G5) 2x24W + HIR111-CE-P (GX8,5) 2xmax35W</td> <td>8,90kg</td> </tr> </tbody> </table>	CODE	LIGHT SOURCE	WEIGHT	<b>M116620</b>	T16 (G5) 2x24W + QR111 (G53) 12V 2xmax50W	8,90kg	<b>M116640</b>	T16 (G5) 2x24W + QR-CBC51 (GU5,3) 12V 2xmax50W	8,90kg	<b>M116650</b>	T16 (G5) 2x24W + HIR111-CE-P (GX8,5) 2xmax35W	8,90kg	
CODE	LIGHT SOURCE	WEIGHT												
<b>M116620</b>	T16 (G5) 2x24W + QR111 (G53) 12V 2xmax50W	8,90kg												
<b>M116640</b>	T16 (G5) 2x24W + QR-CBC51 (GU5,3) 12V 2xmax50W	8,90kg												
<b>M116650</b>	T16 (G5) 2x24W + HIR111-CE-P (GX8,5) 2xmax35W	8,90kg												


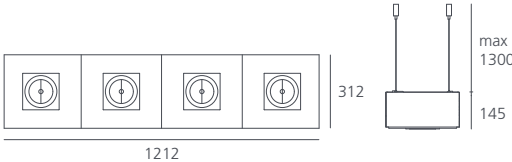

photometric data: see page 431.

## ANDROMEDA SUSPENSION 300x900 DIRECT EMISSION

														
			  											
T16 (G5)  QR111 (G53)  QR-CBC51 (GU5,3)  HIR111-CE-P (GX8,5) 	<table border="1"> <thead> <tr> <th>CODE</th> <th>LIGHT SOURCE</th> <th>WEIGHT</th> </tr> </thead> <tbody> <tr> <td><b>M116720</b></td> <td>T16 (G5) 2x21W + QR111 (G53) 12V 3xmax50W</td> <td>12,30kg</td> </tr> <tr> <td><b>M116740</b></td> <td>T16 (G5) 2x21W + QR-CBC51 (GU5,3) 12V 3xmax50W</td> <td>12,30kg</td> </tr> <tr> <td><b>M116750</b></td> <td>T16 (G5) 2x21W + HIR111-CE-P (GX8,5) 3xmax35W</td> <td>12,30kg</td> </tr> </tbody> </table>	CODE	LIGHT SOURCE	WEIGHT	<b>M116720</b>	T16 (G5) 2x21W + QR111 (G53) 12V 3xmax50W	12,30kg	<b>M116740</b>	T16 (G5) 2x21W + QR-CBC51 (GU5,3) 12V 3xmax50W	12,30kg	<b>M116750</b>	T16 (G5) 2x21W + HIR111-CE-P (GX8,5) 3xmax35W	12,30kg	
CODE	LIGHT SOURCE	WEIGHT												
<b>M116720</b>	T16 (G5) 2x21W + QR111 (G53) 12V 3xmax50W	12,30kg												
<b>M116740</b>	T16 (G5) 2x21W + QR-CBC51 (GU5,3) 12V 3xmax50W	12,30kg												
<b>M116750</b>	T16 (G5) 2x21W + HIR111-CE-P (GX8,5) 3xmax35W	12,30kg												


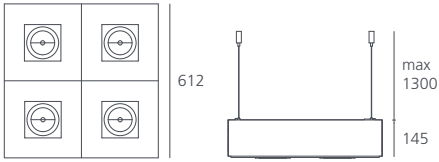

photometric data: see page 431.

## ANDROMEDA SUSPENSION 300x1200 DIRECT EMISSION

														
			Ⓧ IP20 850° ● grey											
T16 (G5) QR111 (G53) QR-CBC51 (GU5,3) HIR111-CE-P (GX8,5)	<table border="1"> <thead> <tr> <th>CODE</th> <th>LIGHT SOURCE</th> <th>WEIGHT</th> </tr> </thead> <tbody> <tr> <td><b>M116820</b></td> <td>T16 (G5) 2x28W + QR111 (G53) 12V 4xmax50W</td> <td>15,70kg</td> </tr> <tr> <td><b>M116840</b></td> <td>T16 (G5) 2x28W + QR-CBC51 (GU5,3) 12V 4xmax50W</td> <td>15,70kg</td> </tr> <tr> <td><b>M116850</b></td> <td>T16 (G5) 2x28W + HIR111-CE-P (GX8,5) 4xmax35W</td> <td>15,70kg</td> </tr> </tbody> </table>	CODE	LIGHT SOURCE	WEIGHT	<b>M116820</b>	T16 (G5) 2x28W + QR111 (G53) 12V 4xmax50W	15,70kg	<b>M116840</b>	T16 (G5) 2x28W + QR-CBC51 (GU5,3) 12V 4xmax50W	15,70kg	<b>M116850</b>	T16 (G5) 2x28W + HIR111-CE-P (GX8,5) 4xmax35W	15,70kg	
CODE	LIGHT SOURCE	WEIGHT												
<b>M116820</b>	T16 (G5) 2x28W + QR111 (G53) 12V 4xmax50W	15,70kg												
<b>M116840</b>	T16 (G5) 2x28W + QR-CBC51 (GU5,3) 12V 4xmax50W	15,70kg												
<b>M116850</b>	T16 (G5) 2x28W + HIR111-CE-P (GX8,5) 4xmax35W	15,70kg												

photometric data: see page 431.

## ANDROMEDA SUSPENSION 600x600 DIRECT EMISSION

														
			Ⓧ IP20 850° ● grey											
T16 (G5) QR111 (G53) QR-CBC51 (GU5,3) HIR111-CE-P (GX8,5)	<table border="1"> <thead> <tr> <th>CODE</th> <th>LIGHT SOURCE</th> <th>WEIGHT</th> </tr> </thead> <tbody> <tr> <td><b>M117020</b></td> <td>T16 (G5) 3x24W + QR111 (G53) 12V 4xmax50W</td> <td>15,20kg</td> </tr> <tr> <td><b>M117040</b></td> <td>T16 (G5) 3x24W + QR-CBC51 (GU5,3) 12V 4xmax50W</td> <td>15,20kg</td> </tr> <tr> <td><b>M117050</b></td> <td>T16 (G5) 3x24W + HIR111-CE-P (GX8,5) 4xmax35W</td> <td>15,20kg</td> </tr> </tbody> </table>	CODE	LIGHT SOURCE	WEIGHT	<b>M117020</b>	T16 (G5) 3x24W + QR111 (G53) 12V 4xmax50W	15,20kg	<b>M117040</b>	T16 (G5) 3x24W + QR-CBC51 (GU5,3) 12V 4xmax50W	15,20kg	<b>M117050</b>	T16 (G5) 3x24W + HIR111-CE-P (GX8,5) 4xmax35W	15,20kg	
CODE	LIGHT SOURCE	WEIGHT												
<b>M117020</b>	T16 (G5) 3x24W + QR111 (G53) 12V 4xmax50W	15,20kg												
<b>M117040</b>	T16 (G5) 3x24W + QR-CBC51 (GU5,3) 12V 4xmax50W	15,20kg												
<b>M117050</b>	T16 (G5) 3x24W + HIR111-CE-P (GX8,5) 4xmax35W	15,20kg												

photometric data: see page 431.



BANG & OLUFSEN SHOWROOM, MILAN (I), SANDRO MARINI AND ILARIO PESCO.

# TAGORA

design S. & R. CORNELISSEN





# TAGORA CEILING


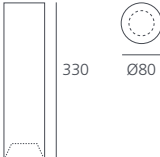





- A RANGE OF CEILING LIGHTS AVAILABLE IN 4 DIAMETER OPTIONS (80 MM, 270 MM, 570 MM AND 970 MM), USING LED LAMPS, 12V HALOGEN, METAL-HALIDE AND FLUORESCENT LAMPS.
- ALUMINIUM BODY WITH 3 MIXED COLOUR OPTIONS: BEIGE/WHITE, GREY/WHITE AND BLACK/ORANGE.
- TAGORA 80 AVAILABLE WITH HIGH-EFFICIENCY MONOCHROMATIC LED OPTION WITH WARM WHITE AND NEUTRAL WHITE TONES.
- ALUMINIUM REFLECTOR WITH HIT AND LED VERSION, WITH A CHOICE OF UP TO THREE BEAM SPREADS.
- TAGORA 570 AND TAGORA 970 COME WITH AN OPALINE DIFFUSER IN PMMA.

- LED VERSION WITH ELECTRONIC DIMMABLE POWER SUPPLY.
- 12V HALOGEN VERSION WITH ELECTRONIC TRANSFORMER DIMMABLE BY TRAILING EDGE EXTERNAL DIMMER.
- FLUORESCENT VERSION WITH ELECTRONIC BALLAST OR DIMMABLE ELECTRONIC BALLAST (DALI-SWITCHDIM). EMERGENCY LIGHTING AVAILABLE AS AN OPTIONAL EXTRA.
- HIT VERSION INCLUDES ELECTRONIC BALLAST AND SAFETY GLASS.
- NOT SUITABLE FOR WALL INSTALLATION.
- COMPLIES WITH STANDARD EN60598-1 AND OTHER SPECIFIC STANDARDS.



## TAGORA CEILING 80


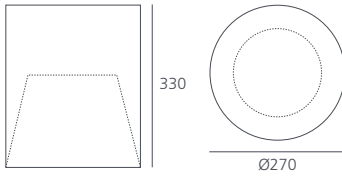



\* Item number must be completed with the code of the desired reflector. See below.

photometric data: see page 429.

## TAGORA CEILING 80 REFLECTORS


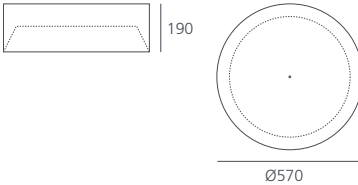



	<p><b>SP</b>      Aluminium reflector for LED version 1x8W. Spot (2x5° &lt; angle ≤ 2x10°).</p>		<p><b>SP</b>      Aluminium reflector for HIT version. Spot (2x5° &lt; angle ≤ 2x10°).</p>
	<p><b>WFL</b>      Wide-flood (2x20° &lt; angle ≤ 2x30°).</p>		<p><b>MFL</b>      Medium-flood (2x10° &lt; angle ≤ 2x15°).</p> <p><b>FL</b>      Flood (2x15° &lt; angle ≤ 2x20°).</p>

## TAGORA CEILING 270


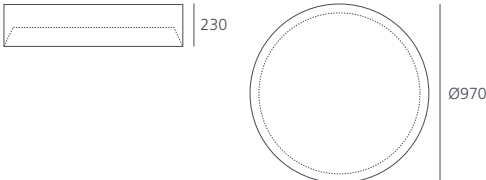





photometric data: see page 430.

## TAGORA CEILING 570

photometric data: see page 430.

## TAGORA CEILING 970

		  IP40 650°  black/orange <b>1</b>  beige/white <b>2</b>  grey/white <b>6</b>										
		T16 (G5)	<table border="1"> <thead> <tr> <th>CODE</th> <th>LIGHT SOURCE</th> <th>WEIGHT</th> </tr> </thead> <tbody> <tr> <td><b>M0177.0</b></td> <td>T16 (G5) 4x24W + 4x39W non dimmable</td> <td>10,00kg</td> </tr> <tr> <td><b>M0177.1</b></td> <td>T16 (G5) 4x24W + 4x39W dimmable DALI</td> <td>10,00kg</td> </tr> </tbody> </table>	CODE	LIGHT SOURCE	WEIGHT	<b>M0177.0</b>	T16 (G5) 4x24W + 4x39W non dimmable	10,00kg	<b>M0177.1</b>	T16 (G5) 4x24W + 4x39W dimmable DALI	10,00kg
CODE	LIGHT SOURCE	WEIGHT										
<b>M0177.0</b>	T16 (G5) 4x24W + 4x39W non dimmable	10,00kg										
<b>M0177.1</b>	T16 (G5) 4x24W + 4x39W dimmable DALI	10,00kg										

photometric data: see page 430.

## TAGORA CEILING ACCESSORIES

<b>INTERACTIVE-DALI TECHNOLOGY</b>	INTERACTIVE-DALI components: see page 409.
--	---



ABOVE: TEESIDE UNIVERSITY, MIDDLESBROUGH (UK), CPMG ARCHITECTS/COUCH PERRY & WILKES.  
PAGE 110-111: HOTEL BELVOIR, RÜSCHLIKON (CH), MOKARCHITECTURE, ZÜRICH.

# TAGORA SUSPENSION

NEW



Ø970 x 230 MM

- A RANGE OF PENDANT LIGHTS AVAILABLE IN FOUR DIAMETER OPTIONS (80 MM, 270 MM, 570 MM AND 970 MM), USING LED LAMPS, 12V HALOGEN, METAL-HALIDE AND FLUORESCENT LAMPS.
- ALUMINIUM BODY WITH 3 MIXED COLOUR OPTIONS: BEIGE/WHITE, GREY/WHITE AND BLACK/ORANGE.
- TAGORA 80 AVAILABLE WITH HIGH-EFFICIENCY MONOCHROMATIC LED OPTION WITH WARM WHITE AND NEUTRAL WHITE TONES.
- MONODIRECTIONAL OR BIDIRECTIONAL ILLUMINATION AVAILABLE WITH TAGORA 570 AND TAGORA 970.
- ALUMINIUM REFLECTOR WITH HIT AND HIGH-EFFICIENCY LED VERSION, WITH A CHOICE OF UP TO THREE BEAM SPREADS.
- TAGORA 570 AND TAGORA 970 COME WITH AN OPALINE DIFFUSER IN PMMA.
- INTEGRAL ELECTRONIC POWER SUPPLY WITH HIGH-EFFICIENCY LED VERSION.
- INTEGRAL ELECTRONIC TRANSFORMER WITH 12V HALOGEN VERSION, DIMMABLE BY TRAILING EDGE EXTERNAL DIMMER.
- INTEGRAL ELECTRONIC BALLAST OR DIMMABLE ELECTRONIC BALLAST (DALI-SWITCHDIM) WITH FLUORESCENT VERSIONS. EMERGENCY LIGHTING AVAILABLE AS AN OPTIONAL EXTRA.
- HIT VERSIONS INCLUDE ELECTRONIC BALLAST AND SAFETY GLASS.
- 2 M LONG STEEL SUSPENSION CABLE WITH QUICK-ADJUSTMENT SYSTEM.
- COMPLIES WITH STANDARD EN60598-1 AND OTHER SPECIFIC STANDARDS.


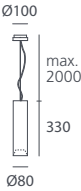





Ø570 X 190 MM

Ø270 x 330 MM

Ø80 x 330 MM






## TAGORA SUSPENSION 80

		  																											
	<table border="1"> <thead> <tr> <th>LED MONOCHROMATIC</th> <th>CODE</th> <th>LIGHT SOURCE</th> <th>WEIGHT</th> </tr> </thead> <tbody> <tr> <td>HIT-TC-CE (GU6,5)</td> <td><b>M0179.0-*</b></td> <td>LED 1x8W WARM WHITE 3000K</td> <td>2,80kg</td> </tr> <tr> <td>QR-CBC51 (GU5,3)</td> <td><b>M0180.0-*</b></td> <td>LED 1x8W NEUTRAL WHITE 4100K</td> <td>2,80kg</td> </tr> <tr> <td>HIPAR51-CE-P (GX10)</td> <td><b>M0193.0-*</b></td> <td>HIT-TC-CE (GU6,5) 1x20W</td> <td>2,80kg</td> </tr> <tr> <td>LED (GU10)</td> <td><b>M0178.0</b></td> <td>QR-CBC51 (GU5,3) 12V 1xmax35W</td> <td>2,80kg</td> </tr> <tr> <td></td> <td><b>M0192.0</b></td> <td>HIPAR51-CE-P (GX10) 1x20W</td> <td>2,80kg</td> </tr> <tr> <td></td> <td><b>M0191.0</b></td> <td>LED (GU10) 230-240V</td> <td>2,50kg</td> </tr> </tbody> </table>	LED MONOCHROMATIC	CODE	LIGHT SOURCE	WEIGHT	HIT-TC-CE (GU6,5)	<b>M0179.0-*</b>	LED 1x8W WARM WHITE 3000K	2,80kg	QR-CBC51 (GU5,3)	<b>M0180.0-*</b>	LED 1x8W NEUTRAL WHITE 4100K	2,80kg	HIPAR51-CE-P (GX10)	<b>M0193.0-*</b>	HIT-TC-CE (GU6,5) 1x20W	2,80kg	LED (GU10)	<b>M0178.0</b>	QR-CBC51 (GU5,3) 12V 1xmax35W	2,80kg		<b>M0192.0</b>	HIPAR51-CE-P (GX10) 1x20W	2,80kg		<b>M0191.0</b>	LED (GU10) 230-240V	2,50kg
LED MONOCHROMATIC	CODE	LIGHT SOURCE	WEIGHT																										
HIT-TC-CE (GU6,5)	<b>M0179.0-*</b>	LED 1x8W WARM WHITE 3000K	2,80kg																										
QR-CBC51 (GU5,3)	<b>M0180.0-*</b>	LED 1x8W NEUTRAL WHITE 4100K	2,80kg																										
HIPAR51-CE-P (GX10)	<b>M0193.0-*</b>	HIT-TC-CE (GU6,5) 1x20W	2,80kg																										
LED (GU10)	<b>M0178.0</b>	QR-CBC51 (GU5,3) 12V 1xmax35W	2,80kg																										
	<b>M0192.0</b>	HIPAR51-CE-P (GX10) 1x20W	2,80kg																										
	<b>M0191.0</b>	LED (GU10) 230-240V	2,50kg																										


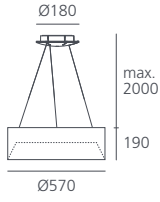




## TAGORA SUSPENSION 80 REFLECTORS

	<p><b>SP</b> Aluminium reflector for LED version 1x8W. Spot (<math>2 \times 5^\circ &lt; \text{angle} \leq 2 \times 10^\circ</math>).</p> <p><b>WFL</b> Wide-flood (<math>2 \times 20^\circ &lt; \text{angle} \leq 2 \times 30^\circ</math>).</p>		<p><b>SP</b> Aluminium reflector for HIT version. Spot (<math>2 \times 5^\circ &lt; \text{angle} \leq 2 \times 10^\circ</math>).</p> <p><b>MFL</b> Medium-flood (<math>2 \times 10^\circ &lt; \text{angle} \leq 2 \times 15^\circ</math>).</p> <p><b>FL</b> Flood (<math>2 \times 15^\circ &lt; \text{angle} \leq 2 \times 20^\circ</math>).</p>
---	---	---	--


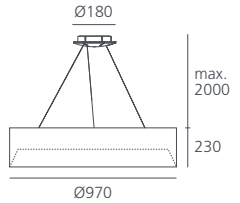




## TAGORA SUSPENSION 270

		  																											
	<table border="1"> <thead> <tr> <th></th> <th>CODE</th> <th>LIGHT SOURCE</th> <th>WEIGHT</th> </tr> </thead> <tbody> <tr> <td>TC-DEL (G24q-3)</td> <td><b>M0195.0</b></td> <td>TC-DEL (G24q-3) 2x26W non dimmable</td> <td>4,30kg</td> </tr> <tr> <td>TC-TEL (GR14q-1)</td> <td><b>M0195.1</b></td> <td>TC-DEL (G24q-3) 2x26W dimmable DALI</td> <td>4,30kg</td> </tr> <tr> <td>HIT-CE (G12)</td> <td><b>M0194.0</b></td> <td>TC-TEL (GR14q-1) 2x14-17W non dimmable</td> <td>4,30kg</td> </tr> <tr> <td></td> <td><b>M0194.1</b></td> <td>TC-TEL (GR14q-1) 2x17W dimmable DALI</td> <td>4,30kg</td> </tr> <tr> <td></td> <td><b>M0196.0</b></td> <td>HIT-CE (G12) 1x70W WFL (<math>2 \times 26^\circ</math>)</td> <td>4,30kg</td> </tr> <tr> <td></td> <td><b>M0197.0</b></td> <td>HIT-CE (G12) 1x70W VWFL (<math>2 \times 38^\circ</math>)</td> <td>4,30kg</td> </tr> </tbody> </table>		CODE	LIGHT SOURCE	WEIGHT	TC-DEL (G24q-3)	<b>M0195.0</b>	TC-DEL (G24q-3) 2x26W non dimmable	4,30kg	TC-TEL (GR14q-1)	<b>M0195.1</b>	TC-DEL (G24q-3) 2x26W dimmable DALI	4,30kg	HIT-CE (G12)	<b>M0194.0</b>	TC-TEL (GR14q-1) 2x14-17W non dimmable	4,30kg		<b>M0194.1</b>	TC-TEL (GR14q-1) 2x17W dimmable DALI	4,30kg		<b>M0196.0</b>	HIT-CE (G12) 1x70W WFL ( $2 \times 26^\circ$ )	4,30kg		<b>M0197.0</b>	HIT-CE (G12) 1x70W VWFL ( $2 \times 38^\circ$ )	4,30kg
	CODE	LIGHT SOURCE	WEIGHT																										
TC-DEL (G24q-3)	<b>M0195.0</b>	TC-DEL (G24q-3) 2x26W non dimmable	4,30kg																										
TC-TEL (GR14q-1)	<b>M0195.1</b>	TC-DEL (G24q-3) 2x26W dimmable DALI	4,30kg																										
HIT-CE (G12)	<b>M0194.0</b>	TC-TEL (GR14q-1) 2x14-17W non dimmable	4,30kg																										
	<b>M0194.1</b>	TC-TEL (GR14q-1) 2x17W dimmable DALI	4,30kg																										
	<b>M0196.0</b>	HIT-CE (G12) 1x70W WFL ( $2 \times 26^\circ$ )	4,30kg																										
	<b>M0197.0</b>	HIT-CE (G12) 1x70W VWFL ( $2 \times 38^\circ$ )	4,30kg																										

## TAGORA SUSPENSION 570

		  																									
			<p>TC-FEL (2G10) </p> <table border="1"> <thead> <tr> <th>CODE</th> <th>LIGHT SOURCE</th> <th>WEIGHT</th> </tr> </thead> <tbody> <tr> <td colspan="3"><b>DIRECT EMISSION</b></td> </tr> <tr> <td><b>M0198.0</b></td> <td>TC-FEL (2G10) 4x36W non dimmable</td> <td>6,00kg</td> </tr> <tr> <td><b>M0198.7</b></td> <td>TC-FEL (2G10) 4x36W non dimmable + emergency 1 h</td> <td>6,80kg</td> </tr> <tr> <td><b>M0198.1</b></td> <td>TC-FEL (2G10) 4x36W dimmable DALI</td> <td>6,00kg</td> </tr> <tr> <td colspan="3"><b>DIRECT+INDIRECT EMISSION</b></td> </tr> <tr> <td><b>M0200.0</b></td> <td>TC-FEL (2G10) 4x36W non dimmable</td> <td>6,00kg</td> </tr> <tr> <td><b>M0200.7</b></td> <td>TC-FEL (2G10) 4x36W non dimmable + emergency 1 h</td> <td>6,80kg</td> </tr> <tr> <td><b>M0200.1</b></td> <td>TC-FEL (2G10) 4x36W dimmable DALI</td> <td>6,00kg</td> </tr> </tbody> </table>	CODE	LIGHT SOURCE	WEIGHT	<b>DIRECT EMISSION</b>			<b>M0198.0</b>	TC-FEL (2G10) 4x36W non dimmable	6,00kg	<b>M0198.7</b>	TC-FEL (2G10) 4x36W non dimmable + emergency 1 h	6,80kg	<b>M0198.1</b>	TC-FEL (2G10) 4x36W dimmable DALI	6,00kg	<b>DIRECT+INDIRECT EMISSION</b>			<b>M0200.0</b>	TC-FEL (2G10) 4x36W non dimmable	6,00kg	<b>M0200.7</b>	TC-FEL (2G10) 4x36W non dimmable + emergency 1 h	6,80kg
CODE	LIGHT SOURCE	WEIGHT																									
<b>DIRECT EMISSION</b>																											
<b>M0198.0</b>	TC-FEL (2G10) 4x36W non dimmable	6,00kg																									
<b>M0198.7</b>	TC-FEL (2G10) 4x36W non dimmable + emergency 1 h	6,80kg																									
<b>M0198.1</b>	TC-FEL (2G10) 4x36W dimmable DALI	6,00kg																									
<b>DIRECT+INDIRECT EMISSION</b>																											
<b>M0200.0</b>	TC-FEL (2G10) 4x36W non dimmable	6,00kg																									
<b>M0200.7</b>	TC-FEL (2G10) 4x36W non dimmable + emergency 1 h	6,80kg																									
<b>M0200.1</b>	TC-FEL (2G10) 4x36W dimmable DALI	6,00kg																									

## TAGORA SUSPENSION 970

		  																			
			<p>T16 (G5) </p> <table border="1"> <thead> <tr> <th>CODE</th> <th>LIGHT SOURCE</th> <th>WEIGHT</th> </tr> </thead> <tbody> <tr> <td colspan="3"><b>DIRECT EMISSION</b></td> </tr> <tr> <td><b>M0199.0</b></td> <td>T16 (G5) 4x24W + 4x39W non dimmable</td> <td>10,00kg</td> </tr> <tr> <td><b>M0199.1</b></td> <td>T16 (G5) 4x24W + 4x39W dimmable DALI</td> <td>10,00kg</td> </tr> <tr> <td colspan="3"><b>DIRECT+INDIRECT EMISSION</b></td> </tr> <tr> <td><b>M0201.0</b></td> <td>T16 (G5) 4x24W + 4x39W non dimmable</td> <td>10,00kg</td> </tr> <tr> <td><b>M0201.1</b></td> <td>T16 (G5) 4x24W + 4x39W dimmable DALI</td> <td>10,00kg</td> </tr> </tbody> </table>	CODE	LIGHT SOURCE	WEIGHT	<b>DIRECT EMISSION</b>			<b>M0199.0</b>	T16 (G5) 4x24W + 4x39W non dimmable	10,00kg	<b>M0199.1</b>	T16 (G5) 4x24W + 4x39W dimmable DALI	10,00kg	<b>DIRECT+INDIRECT EMISSION</b>			<b>M0201.0</b>	T16 (G5) 4x24W + 4x39W non dimmable	10,00kg
CODE	LIGHT SOURCE	WEIGHT																			
<b>DIRECT EMISSION</b>																					
<b>M0199.0</b>	T16 (G5) 4x24W + 4x39W non dimmable	10,00kg																			
<b>M0199.1</b>	T16 (G5) 4x24W + 4x39W dimmable DALI	10,00kg																			
<b>DIRECT+INDIRECT EMISSION</b>																					
<b>M0201.0</b>	T16 (G5) 4x24W + 4x39W non dimmable	10,00kg																			
<b>M0201.1</b>	T16 (G5) 4x24W + 4x39W dimmable DALI	10,00kg																			

## TAGORA SUSPENSION ACCESSORIES

<p>INTERACTIVE-DALI TECHNOLOGY</p>	<p>INTERACTIVE-DALI components: see page 409.</p>
--	---


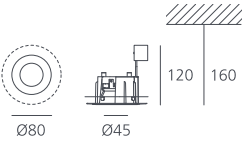











# TAGORA RECESSED

NEW




- A RANGE OF CEILING RECESSED LIGHTS AVAILABLE IN 4 DIAMETER OPTIONS (80 MM, 270 MM, 570 MM AND 970 MM), USING HIGH-EFFICIENCY LED AND 230-240V LED LAMPS, 12V HALOGEN, METAL-HALIDE AND FLUORESCENT LAMPS.
- THE FIXTURE CONSISTS OF A FRAME TO BE FIXED AND PLASTERED ONTO THE PLASTERBOARD FALSE CEILING, AN ALUMINIUM DEFLECTOR WITH WHITE OR ORANGE PAINT FINISH, AND A SUPPORTING STRUCTURE.
- **TAGORA 80** AVAILABLE WITH HIGH-EFFICIENCY MONOCHROMATIC LED OPTION WITH WARM WHITE AND NEUTRAL WHITE TONES.
- ALUMINIUM REFLECTOR WITH HIT AND HIGH-EFFICIENCY LED VERSION, WITH A CHOICE OF UP TO THREE BEAM SPREADS.
- **TAGORA 570** AND **TAGORA 970** COME WITH AN OPALINE DIFFUSER IN PMMA.
- REMOTE ELECTRONIC POWER SUPPLIES TO BE ORDERED SEPARATELY WITH LED, HIT AND 12V HALOGEN VERSIONS.
- INTEGRAL ELECTRONIC BALLAST OR DIMMABLE ELECTRONIC BALLAST (DALI-SWITCHDIM) WITH FLUORESCENT VERSIONS. EMERGENCY LIGHTING AVAILABLE AS AN OPTIONAL EXTRA.
- HIT VERSIONS INCLUDE SAFETY GLASS.
- NOT SUITABLE FOR WALL RECESSED INSTALLATION.
- COMPLIES WITH STANDARD EN60598-1 AND OTHER SPECIFIC STANDARDS.


## TAGORA RECESSED 80

		 Ø92																					
			  IP20 750°  orange <b>1</b>  white <b>2</b>																				
LED MONOCHROMATIC  HIT-TC-CE (GU6,5)  QR-CBC51 (GU5,3)  HIPAR51-CE-P (GX10)  LED (GU10)  max 81mm (overall) 	<table border="1"> <thead> <tr> <th>CODE</th> <th>LIGHT SOURCE</th> <th>WEIGHT</th> </tr> </thead> <tbody> <tr> <td><b>M0205.0-*</b></td> <td>LED 1x8W WARM WHITE 3000K</td> <td>1,60kg</td> </tr> <tr> <td><b>M0206.0-*</b></td> <td>LED 1x8W NEUTRAL WHITE 4100K</td> <td>1,60kg</td> </tr> <tr> <td><b>M0209.0-*</b></td> <td>HIT-TC-CE (GU6,5) 1xmax35W</td> <td>1,60kg</td> </tr> <tr> <td><b>M0208.0</b></td> <td>QR-CBC51 (GU5,3) 12V 1xmax35W</td> <td>1,60kg</td> </tr> <tr> <td><b>M0207.0</b></td> <td>HIPAR51-CE-P (GX10) 1xmax35W</td> <td>1,60kg</td> </tr> <tr> <td><b>M0202.0</b></td> <td>LED (GU10) 230-240V</td> <td>1,20kg</td> </tr> </tbody> </table>	CODE	LIGHT SOURCE	WEIGHT	<b>M0205.0-*</b>	LED 1x8W WARM WHITE 3000K	1,60kg	<b>M0206.0-*</b>	LED 1x8W NEUTRAL WHITE 4100K	1,60kg	<b>M0209.0-*</b>	HIT-TC-CE (GU6,5) 1xmax35W	1,60kg	<b>M0208.0</b>	QR-CBC51 (GU5,3) 12V 1xmax35W	1,60kg	<b>M0207.0</b>	HIPAR51-CE-P (GX10) 1xmax35W	1,60kg	<b>M0202.0</b>	LED (GU10) 230-240V	1,20kg	
CODE	LIGHT SOURCE	WEIGHT																					
<b>M0205.0-*</b>	LED 1x8W WARM WHITE 3000K	1,60kg																					
<b>M0206.0-*</b>	LED 1x8W NEUTRAL WHITE 4100K	1,60kg																					
<b>M0209.0-*</b>	HIT-TC-CE (GU6,5) 1xmax35W	1,60kg																					
<b>M0208.0</b>	QR-CBC51 (GU5,3) 12V 1xmax35W	1,60kg																					
<b>M0207.0</b>	HIPAR51-CE-P (GX10) 1xmax35W	1,60kg																					
<b>M0202.0</b>	LED (GU10) 230-240V	1,20kg																					



\* Item number must be completed with the code of the desired reflector. See below.


## TAGORA RECESSED 80 REFLECTORS

	<b>SP</b> Aluminium reflector for LED version 1x8W. Spot ( $2 \times 5^\circ < \text{angle} \leq 2 \times 10^\circ$ ).
	<b>WFL</b> Wide-flood ( $2 \times 20^\circ < \text{angle} \leq 2 \times 30^\circ$ ).


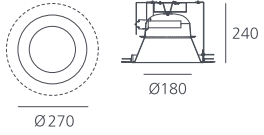




	<b>SP</b> Aluminium reflector for HIT version. Spot ( $2 \times 5^\circ < \text{angle} \leq 2 \times 10^\circ$ ).
	<b>MFL</b> Medium-flood ( $2 \times 10^\circ < \text{angle} \leq 2 \times 15^\circ$ ).
	<b>FL</b> Flood ( $2 \times 15^\circ < \text{angle} \leq 2 \times 20^\circ$ ).

## TAGORA RECESSED 80 POWER SUPPLY UNITS


	<b>M070211</b> Electronic transformer 10-60W, 230-240V/12V. Class II. Dimmable by trailing or leading edge external dimmer. 123x32x32 mm.
	Electronic ballast 230-240V. Class I. <b>M070822</b> For HIT 1x20W. <b>M070322</b> For HIT 1x35W. 155x83x32 mm.

	Electronic dimmable power supply for LED. IP20. <b>M074330</b> For max 18W/700mA. Dimming 1-10V. 108x53x33 mm. <b>M074430</b> For max 30W/700mA. Dimming DSI/DALI/SwitchDIM. 207x42x31 mm.
---	--

## TAGORA RECESSED 270


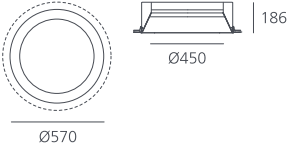






		 Ø292																					
			Ⓧ IP20 750° <span style="color: orange;">●</span> orange <b>1</b> <span style="color: white;">○</span> white <b>2</b>																				
TC-DEL (G24q-3)  TC-TEL (GR14q-1)  HIT-CE (G12) 	<table border="1"> <thead> <tr> <th>CODE</th> <th>LIGHT SOURCE</th> <th>WEIGHT</th> </tr> </thead> <tbody> <tr> <td><b>M0211.0*</b></td> <td>TC-DEL (G24q-3) 2x26W non dimmable</td> <td>2,80kg</td> </tr> <tr> <td><b>M0211.1*</b></td> <td>TC-DEL (G24q-3) 2x26W dimmable DALI</td> <td>2,80kg</td> </tr> <tr> <td><b>M0210.0*</b></td> <td>TC-TEL (GR14q-1) 2x14/17W non dimmable</td> <td>2,80kg</td> </tr> <tr> <td><b>M0210.1*</b></td> <td>TC-TEL (GR14q-1) 2x17W dimmable DALI</td> <td>2,80kg</td> </tr> <tr> <td><b>M0212.0</b></td> <td>HIT-CE (G12) 1x70W WFL (2x26°)</td> <td>2,80kg</td> </tr> <tr> <td><b>M0213.0</b></td> <td>HIT-CE (G12) 1x70W VWFL (2x38°)</td> <td>2,80kg</td> </tr> </tbody> </table>	CODE	LIGHT SOURCE	WEIGHT	<b>M0211.0*</b>	TC-DEL (G24q-3) 2x26W non dimmable	2,80kg	<b>M0211.1*</b>	TC-DEL (G24q-3) 2x26W dimmable DALI	2,80kg	<b>M0210.0*</b>	TC-TEL (GR14q-1) 2x14/17W non dimmable	2,80kg	<b>M0210.1*</b>	TC-TEL (GR14q-1) 2x17W dimmable DALI	2,80kg	<b>M0212.0</b>	HIT-CE (G12) 1x70W WFL (2x26°)	2,80kg	<b>M0213.0</b>	HIT-CE (G12) 1x70W VWFL (2x38°)	2,80kg	
CODE	LIGHT SOURCE	WEIGHT																					
<b>M0211.0*</b>	TC-DEL (G24q-3) 2x26W non dimmable	2,80kg																					
<b>M0211.1*</b>	TC-DEL (G24q-3) 2x26W dimmable DALI	2,80kg																					
<b>M0210.0*</b>	TC-TEL (GR14q-1) 2x14/17W non dimmable	2,80kg																					
<b>M0210.1*</b>	TC-TEL (GR14q-1) 2x17W dimmable DALI	2,80kg																					
<b>M0212.0</b>	HIT-CE (G12) 1x70W WFL (2x26°)	2,80kg																					
<b>M0213.0</b>	HIT-CE (G12) 1x70W VWFL (2x38°)	2,80kg																					
*Electronic control gear included.																							

## TAGORA RECESSED 270 POWER SUPPLY


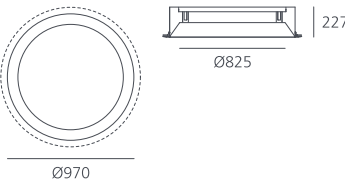






	Electronic ballast 230-240V. Class I.
	<b>M070522</b> For HIT 1x70W. 150x80x35mm.



## TAGORA RECESSED 570

		 Ø606												
			  IP40 650°  orange <b>1</b>  white <b>2</b>											
TC-FEL (2G10) 	<table border="1"> <thead> <tr> <th>CODE</th> <th>LIGHT SOURCE</th> <th>WEIGHT</th> </tr> </thead> <tbody> <tr> <td><b>M0214.0</b></td> <td>TC-FEL (2G10) 4x36W non dimmable</td> <td>4,10kg</td> </tr> <tr> <td><b>M0214.7</b></td> <td>TC-FEL (2G10) 4x36W non dimmable + emergency 1 h</td> <td>4,10kg</td> </tr> <tr> <td><b>M0214.1</b></td> <td>TC-FEL (2G10) 4x36W dimmable DALI</td> <td>4,10kg</td> </tr> </tbody> </table>		CODE	LIGHT SOURCE	WEIGHT	<b>M0214.0</b>	TC-FEL (2G10) 4x36W non dimmable	4,10kg	<b>M0214.7</b>	TC-FEL (2G10) 4x36W non dimmable + emergency 1 h	4,10kg	<b>M0214.1</b>	TC-FEL (2G10) 4x36W dimmable DALI	4,10kg
	CODE	LIGHT SOURCE	WEIGHT											
	<b>M0214.0</b>	TC-FEL (2G10) 4x36W non dimmable	4,10kg											
	<b>M0214.7</b>	TC-FEL (2G10) 4x36W non dimmable + emergency 1 h	4,10kg											
<b>M0214.1</b>	TC-FEL (2G10) 4x36W dimmable DALI	4,10kg												

## TAGORA RECESSED 970

		 Ø1002									
			  IP40 650°  orange <b>1</b>  white <b>2</b>								
T16 (G5) 	<table border="1"> <thead> <tr> <th>CODE</th> <th>LIGHT SOURCE</th> <th>WEIGHT</th> </tr> </thead> <tbody> <tr> <td><b>M0215.0</b></td> <td>T16 (G5) 4x24W + 4x39W non dimmable</td> <td>7,50kg</td> </tr> <tr> <td><b>M0215.1</b></td> <td>T16 (G5) 4x24W + 4x39W dimmable DALI</td> <td>7,50kg</td> </tr> </tbody> </table>		CODE	LIGHT SOURCE	WEIGHT	<b>M0215.0</b>	T16 (G5) 4x24W + 4x39W non dimmable	7,50kg	<b>M0215.1</b>	T16 (G5) 4x24W + 4x39W dimmable DALI	7,50kg
	CODE	LIGHT SOURCE	WEIGHT								
	<b>M0215.0</b>	T16 (G5) 4x24W + 4x39W non dimmable	7,50kg								
<b>M0215.1</b>	T16 (G5) 4x24W + 4x39W dimmable DALI	7,50kg									

## TAGORA RECESSED ACCESSORIES

INTERACTIVE-DALI TECHNOLOGY	INTERACTIVE-DALI components: see page 409.
--------------------------------	---

# OUREA




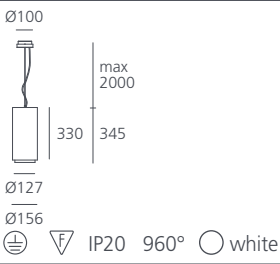





# OUREA SUSPENSION



- A RANGE OF SUSPENDED LIGHTS AVAILABLE IN 2 SIZE OPTIONS (Ø156 AND 410MM) USING HIGH-PERFORMING LED, METAL HALIDE, FLUORESCENT AND 12V HALOGEN LAMPS.
- ALUMINIUM BODY.
- LED VERSION WITH MONOCHROMATIC WARM WHITE (3000K) AND NEUTRAL WHITE (4000K) EMISSION.
- SUPER PURE ALUMINIUM OPTICS AND PROTECTION GLASS FOR HIT VERSION.
- FLUORESCENT VERSION COMES WITH A PRISMOPTIC DIFFUSER, AND AN OPTIONAL BLUE FILTER THAT PROVIDES A DECORATIVE PERIPHERAL LIGHTING EFFECT.
- ELECTRONIC POWER SUPPLY.
- QUICK ADJUSTMENT STEEL SUSPENSION CABLES.
- COMPLIES WITH STANDARD EN60598-1 AND OTHER SPECIFIC STANDARDS.


## OUREA SUSPENSION 156

				
LED		<b>CODE</b>	<b>LIGHT SOURCE</b>	<b>WEIGHT</b>
QR111 (G53)		<b>M179520-*</b>	LED 33W WARM WHITE 3000K	2,90kg
HIT-CE (G12)		<b>M179620-*</b>	LED 33W NEUTRAL WHITE 4000K	2,90kg
		<b>M178820</b>	QR111 (G53) 12V 1xmax100W	2,90kg
		<b>M178920</b>	HIT-CE (G12) 1x35W 2x20°	2,90kg
		<b>M179020</b>	HIT-CE (G12) 1x35W 2x30°	2,90kg
		<b>M179120</b>	HIT-CE (G12) 1x70W 2x20°	2,90kg
		<b>M179220</b>	HIT-CE (G12) 1x70W 2x30°	2,90kg
QR111 halogen version with Integral electronic transformer 35-105W, 230-240V/12V. Dimmable by trailing edge external dimmers.				


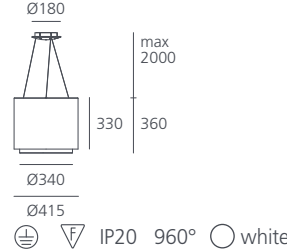

\* Item number must be completed with the code of the desired reflector. See below.

photometric data: see page 434-435.

## OUREA SUSPENSION 156 REFLECTORS


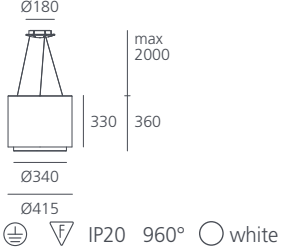

	Aluminium reflector for LED version.
	<b>MFL</b> Medium-flood (2x10° < angle ≤ 2x15°).
	<b>FL</b> Flood (2x15° < angle ≤ 2x20°).

## OUREA SUSPENSION 410 FLUO

				
TC-TEL (GX24q-4)		<b>CODE</b>	<b>LIGHT SOURCE</b>	<b>WEIGHT</b>
		<b>M179320</b>	TC-TEL (GX24q-4) 1x42W	4,75kg
		<b>M179720</b>	TC-TEL (GX24q-4) 1x42W + blue filter	4,75kg

photometric data: see page 435.

## OUREA SUSPENSION 410 HIT

				
HIT-CE (G12)		<b>CODE</b>	<b>LIGHT SOURCE</b>	<b>WEIGHT</b>
		<b>M179420</b>	HIT-CE (G12) 1x150W	4,75kg

photometric data: see page 435.







# OUREA CEILING

NEW




- A RANGE OF CEILING LIGHTS AVAILABLE IN 2 SIZE OPTIONS (Ø156 AND Ø410MM) USING HIGH-PERFORMING LED, METAL-HALIDE, FLUORESCENT AND 12V HALOGEN LAMPS.
- ALUMINIUM BODY.
- LED VERSION WITH MONOCHROMATIC WARM WHITE (3000K) AND NEUTRAL WHITE (4000K) EMISSION.
- SUPER PURE ALUMINIUM OPTICS AND PROTECTION GLASS WITH HIT VERSION.
- FLUORESCENT VERSION COMES WITH A **PRISMOPTIC** DIFFUSER, AND AN OPTIONAL BLUE FILTER THAT PROVIDES A DECORATIVE PERIPHERAL LIGHTING EFFECT.
- ELECTRONIC POWER SUPPLY.
- COMPLIES WITH EN60598-1 AND OTHER SPECIFIC STANDARDS.

## OUREA CEILING 156







		  IP20  960°  white																								
			LED QR111 (G53) HIT-CE (G12)																							
<table border="1"> <thead> <tr> <th>CODE</th> <th>LIGHT SOURCE</th> <th>WEIGHT</th> </tr> </thead> <tbody> <tr> <td><b>M157220-*</b></td> <td>LED 33W WARM WHITE 3000K</td> <td>2,90kg</td> </tr> <tr> <td><b>M157320-*</b></td> <td>LED 33W NEUTRAL WHITE 4000K</td> <td>2,90kg</td> </tr> <tr> <td><b>M157520</b></td> <td>QR111 (G53) 12V 1xmax100W</td> <td>2,90kg</td> </tr> <tr> <td><b>M157420</b></td> <td>HIT-CE (G12) 1x35W 2x20°</td> <td>2,90kg</td> </tr> <tr> <td><b>M157620</b></td> <td>HIT-CE (G12) 1x35W 2x30°</td> <td>2,90kg</td> </tr> <tr> <td><b>M157720</b></td> <td>HIT-CE (G12) 1x70W 2x20°</td> <td>2,90kg</td> </tr> <tr> <td><b>M157820</b></td> <td>HIT-CE (G12) 1x70W 2x30°</td> <td>2,90kg</td> </tr> </tbody> </table>		CODE	LIGHT SOURCE	WEIGHT	<b>M157220-*</b>	LED 33W WARM WHITE 3000K	2,90kg	<b>M157320-*</b>	LED 33W NEUTRAL WHITE 4000K	2,90kg	<b>M157520</b>	QR111 (G53) 12V 1xmax100W	2,90kg	<b>M157420</b>	HIT-CE (G12) 1x35W 2x20°	2,90kg	<b>M157620</b>	HIT-CE (G12) 1x35W 2x30°	2,90kg	<b>M157720</b>	HIT-CE (G12) 1x70W 2x20°	2,90kg	<b>M157820</b>	HIT-CE (G12) 1x70W 2x30°	2,90kg	
CODE	LIGHT SOURCE	WEIGHT																								
<b>M157220-*</b>	LED 33W WARM WHITE 3000K	2,90kg																								
<b>M157320-*</b>	LED 33W NEUTRAL WHITE 4000K	2,90kg																								
<b>M157520</b>	QR111 (G53) 12V 1xmax100W	2,90kg																								
<b>M157420</b>	HIT-CE (G12) 1x35W 2x20°	2,90kg																								
<b>M157620</b>	HIT-CE (G12) 1x35W 2x30°	2,90kg																								
<b>M157720</b>	HIT-CE (G12) 1x70W 2x20°	2,90kg																								
<b>M157820</b>	HIT-CE (G12) 1x70W 2x30°	2,90kg																								
QR111 halogen version with Integral electronic transformer 35-105W, 230-240V/12V. Dimmable by trailing edge external dimmers.																										

\* Item number must be completed with the code of the desired reflector. See below.







## OUREA CEILING 156 REFLECTORS

	Aluminium reflector for LED version.
	MFL Medium-flood (2x10° < angle ≤ 2x15°). FL Flood (2x15° < angle ≤ 2x20°).

## OUREA CEILING 410 FLUO

		  IP20  960°  white									
			TC-TEL (GX24q-4)								
<table border="1"> <thead> <tr> <th>CODE</th> <th>LIGHT SOURCE</th> <th>WEIGHT</th> </tr> </thead> <tbody> <tr> <td><b>M158020</b></td> <td>TC-TEL (GX24q-4) 1x42W</td> <td>4,75kg</td> </tr> <tr> <td><b>M158120</b></td> <td>TC-TEL (GX24q-4) 1x42W + blue filter</td> <td>4,75kg</td> </tr> </tbody> </table>		CODE	LIGHT SOURCE	WEIGHT	<b>M158020</b>	TC-TEL (GX24q-4) 1x42W	4,75kg	<b>M158120</b>	TC-TEL (GX24q-4) 1x42W + blue filter	4,75kg	
CODE	LIGHT SOURCE	WEIGHT									
<b>M158020</b>	TC-TEL (GX24q-4) 1x42W	4,75kg									
<b>M158120</b>	TC-TEL (GX24q-4) 1x42W + blue filter	4,75kg									

## OUREA CEILING 410 HIT

		  IP20  960°  white						
			HIT-CE (G12)					
<table border="1"> <thead> <tr> <th>CODE</th> <th>LIGHT SOURCE</th> <th>WEIGHT</th> </tr> </thead> <tbody> <tr> <td><b>M157920</b></td> <td>HIT-CE (G12) 1x150W</td> <td>4,75kg</td> </tr> </tbody> </table>		CODE	LIGHT SOURCE	WEIGHT	<b>M157920</b>	HIT-CE (G12) 1x150W	4,75kg	
CODE	LIGHT SOURCE	WEIGHT						
<b>M157920</b>	HIT-CE (G12) 1x150W	4,75kg						





# OUREA RECESSED

NEW



- A RANGE OF RECESSED DOWNLIGHTS AVAILABLE IN 2 SIZE OPTIONS (Ø156 AND Ø410MM) USING HIGH-PERFORMING LED, METAL-HALIDE, FLUORESCENT AND 12V HALOGEN LAMPS.
- THE FIXTURE CONSISTS OF A FRAME TO BE FIXED AND PLASTERED ONTO THE PLASTERBOARD FALSE CEILING AND AN ALUMINIUM BODY.
- LED VERSION WITH MONOCHROMATIC WARM WHITE (3000K) AND NEUTRAL WHITE (4000K) EMISSION.
- SUPER PURE ALUMINIUM OPTICS AND PROTECTION GLASS WITH HIT VERSION.
- FLUORESCENT VERSION COMES WITH A **PRISMOPTIC** DIFFUSER, ELECTRONIC CONTROL GEAR AND AN OPTIONAL BLUE FILTER THAT PROVIDES A DECORATIVE PERIPHERAL LIGHTING EFFECT.
- ELECTRONIC POWER SUPPLY TO BE ORDERED SEPARATELY WITH LED, HIT AND HALOGEN VERSION.
- COMPLIES WITH EN60598-1 AND OTHER SPECIFIC STANDARDS.




## OUREA RECESSED 156

			
LED QR111 (G53) HIT-CE (G12)	 	<b>CODE</b> <b>LIGHT SOURCE</b> <b>WEIGHT</b>	
		<b>M177720-*</b>	LED 33W WARM WHITE 3000K      2,00kg
		<b>M177820-*</b>	LED 33W NEUTRAL WHITE 4000K      2,00kg
		<b>M177320</b>	QR111 (G53) 12V 1xmax100W      2,00kg
		<b>M176920</b>	HIT-CE (G12) 1x35W 2x20°      2,00kg
		<b>M177020</b>	HIT-CE (G12) 1x35W 2x30°      2,00kg
		<b>M177120</b>	HIT-CE (G12) 1x70W 2x20°      2,00kg
		<b>M177220</b>	HIT-CE (G12) 1x70W 2x30°      2,00kg

\* Item number must be completed with the code of the desired reflector. See below.

remote power supply: see below.





## OUREA RECESSED 410 FLUO

			
TC-TEL (GX24q-4)		<b>CODE</b> <b>LIGHT SOURCE</b> <b>WEIGHT</b>	
		<b>M179820</b>	TC-TEL (GX24q-4) 1x42W      3,80kg
		<b>M179920</b>	TC-TEL (GX24q-4) 1x42W + blue filter      3,80kg

## OUREA RECESSED 410 HIT

			
HIT-CE (G12)		<b>CODE</b> <b>LIGHT SOURCE</b> <b>WEIGHT</b>	
		<b>M178720</b>	HIT-CE (G12) 1x150W      6,20kg

## OUREA RECESSED POWER SUPPLIES AND REFLECTORS

	Electronic transformer 230-240V/12V. Class II. Dimmable by trailing or leading edge external dimmers. <b>M070211</b> 10-60W. 123x32x23mm. <b>M070412</b> 35-105W. 102x51x30mm.		Aluminium reflector for LED version. <b>MFL</b> Medium-flood (2x10° < angle ≤ 2x15°). <b>FL</b> Flood (2x15° < angle ≤ 2x20°).
	Electronic ballast 230-240V. Class I. <b>M070322</b> HIT 1x35W. 155x83x32mm. <b>M070522</b> HIT 1x70W. 150x80x35mm. <b>M070622</b> HIT 1x150W. 150x90x40mm.		LED POWER SUPPLY 14-50W. IP20. Input voltage: 186-250DC/50-60Hz. Output voltage: 31-62V. 220x83x35 mm. <b>M074530</b> Non dimmable. <b>M074531</b> Dimmable Dali/Switchdim/trailing edge.

# STICK

design WILMOTTE & INDUSTRIES



STICK 210



STICK 140



STICK 140




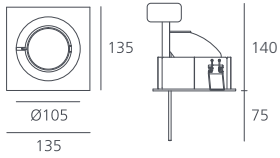
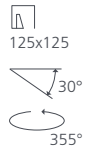
STICK 210

# STICK


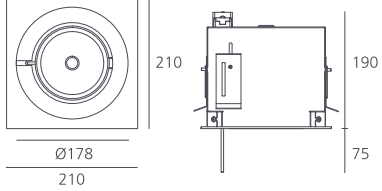



- A RANGE OF RECESSED ADJUSTABLE DOWNLIGHTS USING 12V HALOGEN, METAL-HALIDE AND 230-240V LED LAMPS.
- SQUARE FRAME MADE FROM STEEL, AVAILABLE IN THREE COLOUR OPTIONS.
- OPTICAL UNIT MADE FROM ALUMINIUM WITH A CHROME FINISH.
- 2 SIZE OPTIONS DEPENDING ON THE LIGHT SOURCE.
- SUPER PURE ALUMINIUM OPTICS WITH HIT VERSION, WITH CHOICE OF 3 BEAM SPREADS: SPOT, MEDIUM AND FLOOD.
- TILT ANGLE OF UP TO 40° WITH A CHROME STEEL ROD. ROTATION OF UP TO 360°.
- LAMPS CAN BE MAINTAINED WITHOUT THE NEED FOR TOOLS.
- HIT VERSION INCLUDES PROTECTIVE GLASS.
- REMOTE CONTROL GEAR.
- COMPLIES WITH STANDARD EN60598-1 AND OTHER SPECIFIC STANDARDS.

## STICK 140

			IP20 960° ● moka 1 ● black 5 ● anthracite grey 9																
			<table border="1"> <thead> <tr> <th>CODE</th> <th>LIGHT SOURCE</th> <th>CLASS</th> <th>WEIGHT</th> </tr> </thead> <tbody> <tr> <td><b>M0235.5</b></td> <td>QR-CBC51 (GU5,3) 12V max50W</td> <td>◆</td> <td>0,95kg</td> </tr> <tr> <td><b>M0236.5</b></td> <td>HIPAR51-CE-P (GX10) max35W</td> <td>□</td> <td>0,95kg</td> </tr> <tr> <td><b>M0239.5</b></td> <td>LED (GU10) 230-240V</td> <td>□</td> <td>0,95kg</td> </tr> </tbody> </table>	CODE	LIGHT SOURCE	CLASS	WEIGHT	<b>M0235.5</b>	QR-CBC51 (GU5,3) 12V max50W	◆	0,95kg	<b>M0236.5</b>	HIPAR51-CE-P (GX10) max35W	□	0,95kg	<b>M0239.5</b>	LED (GU10) 230-240V	□	0,95kg
CODE	LIGHT SOURCE	CLASS	WEIGHT																
<b>M0235.5</b>	QR-CBC51 (GU5,3) 12V max50W	◆	0,95kg																
<b>M0236.5</b>	HIPAR51-CE-P (GX10) max35W	□	0,95kg																
<b>M0239.5</b>	LED (GU10) 230-240V	□	0,95kg																

## STICK 210

			IP20 960° ● moka 1 ● black 5 ● anthracite grey 9																																				
			<table border="1"> <thead> <tr> <th>CODE</th> <th>LIGHT SOURCE</th> <th>CLASS</th> <th>WEIGHT</th> </tr> </thead> <tbody> <tr> <td><b>M0237.5</b></td> <td>QR111 (G53) 12V max100W</td> <td>◆</td> <td>2,60kg</td> </tr> <tr> <td><b>M0238.5</b></td> <td>HIR111-CE-P (GX8,5) max70W</td> <td>⊕</td> <td>2,60kg</td> </tr> <tr> <td><b>M0217.5</b></td> <td>HIT-CE (G12) max70W 2x10°</td> <td>⊕</td> <td>2,60kg</td> </tr> <tr> <td><b>M0218.5</b></td> <td>HIT-CE (G12) max70W 2x20°</td> <td>⊕</td> <td>2,60kg</td> </tr> <tr> <td><b>M0219.5</b></td> <td>HIT-CE (G12) max70W 2x30°</td> <td>⊕</td> <td>2,60kg</td> </tr> <tr> <td><b>M0223.5</b></td> <td>HIT-TC-CE (G8,5) max70W 2x10°</td> <td>⊕</td> <td>2,60kg</td> </tr> <tr> <td><b>M0224.5</b></td> <td>HIT-TC-CE (G8,5) max70W 2x20°</td> <td>⊕</td> <td>2,60kg</td> </tr> <tr> <td><b>M0225.5</b></td> <td>HIT-TC-CE (G8,5) max70W 2x30°</td> <td>⊕</td> <td>2,60kg</td> </tr> </tbody> </table>	CODE	LIGHT SOURCE	CLASS	WEIGHT	<b>M0237.5</b>	QR111 (G53) 12V max100W	◆	2,60kg	<b>M0238.5</b>	HIR111-CE-P (GX8,5) max70W	⊕	2,60kg	<b>M0217.5</b>	HIT-CE (G12) max70W 2x10°	⊕	2,60kg	<b>M0218.5</b>	HIT-CE (G12) max70W 2x20°	⊕	2,60kg	<b>M0219.5</b>	HIT-CE (G12) max70W 2x30°	⊕	2,60kg	<b>M0223.5</b>	HIT-TC-CE (G8,5) max70W 2x10°	⊕	2,60kg	<b>M0224.5</b>	HIT-TC-CE (G8,5) max70W 2x20°	⊕	2,60kg	<b>M0225.5</b>	HIT-TC-CE (G8,5) max70W 2x30°	⊕	2,60kg
CODE	LIGHT SOURCE	CLASS	WEIGHT																																				
<b>M0237.5</b>	QR111 (G53) 12V max100W	◆	2,60kg																																				
<b>M0238.5</b>	HIR111-CE-P (GX8,5) max70W	⊕	2,60kg																																				
<b>M0217.5</b>	HIT-CE (G12) max70W 2x10°	⊕	2,60kg																																				
<b>M0218.5</b>	HIT-CE (G12) max70W 2x20°	⊕	2,60kg																																				
<b>M0219.5</b>	HIT-CE (G12) max70W 2x30°	⊕	2,60kg																																				
<b>M0223.5</b>	HIT-TC-CE (G8,5) max70W 2x10°	⊕	2,60kg																																				
<b>M0224.5</b>	HIT-TC-CE (G8,5) max70W 2x20°	⊕	2,60kg																																				
<b>M0225.5</b>	HIT-TC-CE (G8,5) max70W 2x30°	⊕	2,60kg																																				

photometric data: see page 423-424.

## STICK CONTROL GEARS

	Electronic transformer 230-240V/12V. Class II. Dimmable by trailing or leading edge external dimmers.		Electronic ballast 230-240V. Class I.
	<b>M070211</b> 10-60W. 123x32x23mm. <b>M070412</b> 35-105W. 102x51x30mm.		<b>M070822</b> HIT 1x20W. 130x83x39mm. <b>M070322</b> HIT 1x35W. 155x83x32mm. <b>M070522</b> HIT 1x70W. 150x80x35mm.

# RASTAF



RECESSING PLATE + 2 RASTAF 86 ADJUSTABLE



RECESSING PLATE + 3 RASTAF 86 ADJUSTABLE



RASTAF 86 ADJUSTABLE


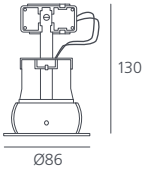















RASTAF 86 FIX


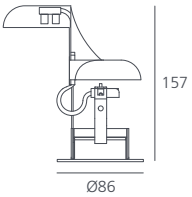




- A RANGE OF FIXED AND ADJUSTABLE RECESSED DOWNLIGHTS USING 12V DICHROIC HALOGEN LAMPS, HIPAR51 METAL-HALIDE AND 230-240V LEDS.
- STEEL BODY, AVAILABLE IN 5 COLOUR OPTIONS.
- 2 SIZE OPTIONS: Ø86MM AND Ø125MM.
- TILT ANGLE OF UP TO 45°, ROTATION OF UP TO 355° DEPENDING ON THE VERSION.
- VERSION IP44 COMES WITH INTEGRAL SAFETY COVER AND SEALED GLASS.
- OPTIONAL STEEL RECESSING RING WITH WHITE FINISH FOR USE WITH 2 OR 3 DOWNLIGHTS Ø86MM.
- WIDE RANGE OF ACCESSORIES FOR RECESSING INTO FALSE CEILINGS, ALLOWING LAMP REPLACEMENT WITHOUT DAMAGING THE SURFACE.
- REMOTE TRANSFORMER.
- COMPLIES WITH STANDARD EN60598-1 AND OTHER SPECIFIC STANDARDS.


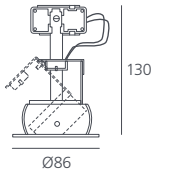













## RASTAF 86 FIX

		 Ø72																
			IP20 960° ● gold <b>7</b> ● black <b>1</b> ○ white <b>0</b> ● metal grey <b>6</b> ● chrome <b>8</b>															
QR-CBC51 (GU5,3)  HIPAR51-CE-P (GX10)  LED (GU10)  <small>min 50mm/ max 81mm (overall)</small>	<table border="1"> <thead> <tr> <th>CODE</th> <th>LIGHT SOURCE</th> <th>CLASS</th> <th>WEIGHT</th> </tr> </thead> <tbody> <tr> <td><b>M0490.0</b></td> <td>QR-CBC51 (GU5,3) 12V max50W</td> <td></td> <td>0,15kg</td> </tr> <tr> <td><b>M048800*</b></td> <td>HIPAR51-CE-P (GX10) max35W</td> <td></td> <td>0,15kg</td> </tr> <tr> <td><b>M047900*</b></td> <td>LED (GU10) 230-240V</td> <td></td> <td>0,15kg</td> </tr> </tbody> </table>	CODE	LIGHT SOURCE	CLASS	WEIGHT	<b>M0490.0</b>	QR-CBC51 (GU5,3) 12V max50W		0,15kg	<b>M048800*</b>	HIPAR51-CE-P (GX10) max35W		0,15kg	<b>M047900*</b>	LED (GU10) 230-240V		0,15kg	
CODE	LIGHT SOURCE	CLASS	WEIGHT															
<b>M0490.0</b>	QR-CBC51 (GU5,3) 12V max50W		0,15kg															
<b>M048800*</b>	HIPAR51-CE-P (GX10) max35W		0,15kg															
<b>M047900*</b>	LED (GU10) 230-240V		0,15kg															
*Available only in white.																		







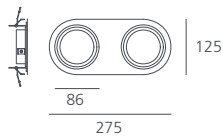





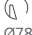
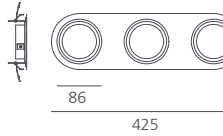
## RASTAF 86 FIX IP44/21

		 Ø72						
			IP44/21 960° ○ white					
QR-CBC51 (GU5,3) 	<table border="1"> <thead> <tr> <th>CODE</th> <th>LIGHT SOURCE</th> <th>WEIGHT</th> </tr> </thead> <tbody> <tr> <td><b>M049100</b></td> <td>QR-CBC51 (GU5,3) 12V max50W</td> <td>0,15kg</td> </tr> </tbody> </table>	CODE	LIGHT SOURCE	WEIGHT	<b>M049100</b>	QR-CBC51 (GU5,3) 12V max50W	0,15kg	
CODE	LIGHT SOURCE	WEIGHT						
<b>M049100</b>	QR-CBC51 (GU5,3) 12V max50W	0,15kg						


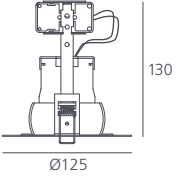




## RASTAF 86 ADJUSTABLE

		 Ø72 45°																
			IP20 960° ● gold <b>7</b> ● black <b>1</b> ○ white <b>0</b> ● metal grey <b>6</b> ● chrome <b>8</b>															
QR-CBC51 (GU5,3)  HIPAR51-CE-P (GX10)  LED (GU10)  <small>min 50mm/ max 81mm (overall)</small>	<table border="1"> <thead> <tr> <th>CODE</th> <th>LIGHT SOURCE</th> <th>CLASS</th> <th>WEIGHT</th> </tr> </thead> <tbody> <tr> <td><b>M0490.5</b></td> <td>QR-CBC51 (GU5,3) 12V max50W</td> <td></td> <td>0,15kg</td> </tr> <tr> <td><b>M048805*</b></td> <td>HIPAR51-CE-P (GX10) max35W</td> <td></td> <td>0,15kg</td> </tr> <tr> <td><b>M047905*</b></td> <td>LED (GU10) 230-240V</td> <td></td> <td>0,15kg</td> </tr> </tbody> </table>	CODE	LIGHT SOURCE	CLASS	WEIGHT	<b>M0490.5</b>	QR-CBC51 (GU5,3) 12V max50W		0,15kg	<b>M048805*</b>	HIPAR51-CE-P (GX10) max35W		0,15kg	<b>M047905*</b>	LED (GU10) 230-240V		0,15kg	
CODE	LIGHT SOURCE	CLASS	WEIGHT															
<b>M0490.5</b>	QR-CBC51 (GU5,3) 12V max50W		0,15kg															
<b>M048805*</b>	HIPAR51-CE-P (GX10) max35W		0,15kg															
<b>M047905*</b>	LED (GU10) 230-240V		0,15kg															
*Available only in white.																		


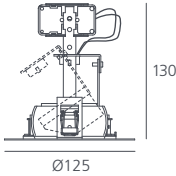

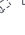




## RASTAF 86 ACCESSORIES

	<b>M080008</b> Recessing ring with plaster support for RASTAF 86 FIX or ADJUSTABLE.  190x190		<b>M017300</b> Steel recessing plate for 2 spots RASTAF 86 FIX or ADJUSTABLE.  260xØ110
	<b>M080018</b> Recessing ring for mineral fiber false ceilings for RASTAF 86 FIX or ADJUSTABLE.  Ø78		
	<b>M080028</b> Aluminium recessing ring for RASTAF 86 FIX or ADJUSTABLE.  Ø78		<b>M017400</b> Steel recessing plate for 3 spots RASTAF 86 FIX or ADJUSTABLE.  410xØ110
	<b>M080038</b> Steel recessing ring with springs for plasterboard false ceilings for RASTAF 86 FIX or ADJUSTABLE.  Ø78		
			○ white

## RASTAF 125 FIX

		 Ø110
	  IP20 960° ○ white	
QR-CBC51 (GU5,3) 	<b>CODE</b> <b>LIGHT SOURCE</b> <b>WEIGHT</b>	
	<b>M043800</b> QR-CBC51 (GU5,3) 12V max50W      0,25kg	

## RASTAF 125 ADJUSTABLE

		 Ø110
	 35°	 355°
	  IP20 960° ○ white	
QR-CBC51 (GU5,3) 	<b>CODE</b> <b>LIGHT SOURCE</b> <b>WEIGHT</b>	
	<b>M043805</b> QR-CBC51 (GU5,3) 12V max50W      0,25kg	

## RASTAF CONTROL GEARS

	<b>M070211</b> 10-60W. 123x32x23mm.		<b>M070032</b> Electronic ballast 230-240V. Class I. For HIPAR51 (GX10) 1x35W. 132x64x37mm.
	<b>M070412</b> 35-105W. 102x51x30mm.		
	<b>M072111</b> 35-150W. 100x38x34mm.		

# TOPLITE



TOPLITE 88 FIX LOW LUMINANCE



TOPLITE 88 FIX



TOPLITE 88 FIX COLOR



TOPLITE SQUARE FIX

- A RANGE OF RECESSED DOWNLIGHTS, FIXED OR ADJUSTABLE, ROUND OR SQUARE, USING 12V DICHROIC HALOGEN LAMPS, HIPAR51 METAL HALIDE AND 230-240V LEDS.
- BODY IN DIE-CAST ALUMINIUM OR STEEL, AVAILABLE IN DIFFERENT COLOURS.
- MULTIPLE SIZE OPTIONS: Ø88MM, Ø100MM, Ø125MM, Ø158MM, 88x88MM AND 95x95MM.
- TILT ANGLE OF UP TO 70°, ROTATION OF UP TO 355° DEPENDING ON THE VERSION.
- LAMPHOLDING RING MADE FROM ALUMINIUM, THERMOPLASTIC MATERIAL OR WITH COLOURED GLASS.
- LAMPS CAN BE MAINTAINED WITHOUT THE NEED FOR TOOLS BY A SIMPLE QUARTER TURN ROTATION.
- VERSION IP44 COMES WITH INTEGRAL SAFETY COVER AND SEALED GLASS.
- REMOTE TRANSFORMER.
- COMPLIES WITH STANDARD EN60598-1 AND OTHER SPECIFIC STANDARDS.



TOPLITE SQUARE ADJUSTABLE


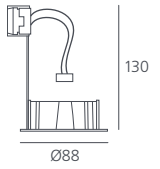















TOPLITE 100 BI-ADJUSTABLE


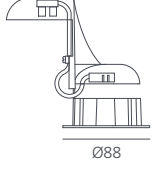





TOPLITE 125 ADJUSTABLE 70°


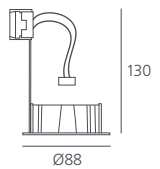













## TOPLITE 88 FIX

		 IP20 960° ○ white <b>0</b> ● black <b>1</b> ● metal grey <b>6</b>	 Ø75													
				<table border="1"> <thead> <tr> <th>CODE</th> <th>LIGHT SOURCE</th> <th>CLASS</th> <th>WEIGHT</th> </tr> </thead> <tbody> <tr> <td><b>M0414.0</b></td> <td>QR-CBC51 (GU5,3) 12V max50W</td> <td></td> <td>0,15kg</td> </tr> <tr> <td><b>M041600*</b></td> <td>HIPAR51-CE-P (GX10) max35W</td> <td></td> <td>0,15kg</td> </tr> <tr> <td><b>M046600*</b></td> <td>LED (GU10) 230-240V</td> <td></td> <td>0,15kg</td> </tr> </tbody> </table>	CODE	LIGHT SOURCE	CLASS	WEIGHT	<b>M0414.0</b>	QR-CBC51 (GU5,3) 12V max50W		0,15kg	<b>M041600*</b>	HIPAR51-CE-P (GX10) max35W		0,15kg
CODE	LIGHT SOURCE	CLASS	WEIGHT													
<b>M0414.0</b>	QR-CBC51 (GU5,3) 12V max50W		0,15kg													
<b>M041600*</b>	HIPAR51-CE-P (GX10) max35W		0,15kg													
<b>M046600*</b>	LED (GU10) 230-240V		0,15kg													
QR-CBC51 (GU5,3)  HIPAR51-CE-P (GX10)  LED (GU10) 	*Available only in white.															


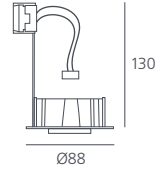



## TOPLITE 88 FIX IP44/21

		 IP44/21 960° ○ white <b>0</b> ● black <b>1</b> ● metal grey <b>6</b>	 Ø75			
				<table border="1"> <thead> <tr> <th>CODE</th> <th>LIGHT SOURCE</th> <th>WEIGHT</th> </tr> </thead> <tbody> <tr> <td><b>M0430.0</b></td> <td>QR-CBC51 (GU5,3) 12V max50W</td> <td>0,15kg</td> </tr> </tbody> </table>	CODE	LIGHT SOURCE
CODE	LIGHT SOURCE	WEIGHT				
<b>M0430.0</b>	QR-CBC51 (GU5,3) 12V max50W	0,15kg				
QR-CBC51 (GU5,3) 						


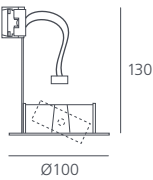













## TOPLITE 88 FIX LOW LUMINANCE

		 IP20 960° ○ white <b>0</b> ● black <b>1</b> ● metal grey <b>6</b>	 Ø75													
				<table border="1"> <thead> <tr> <th>CODE</th> <th>LIGHT SOURCE</th> <th>CLASS</th> <th>WEIGHT</th> </tr> </thead> <tbody> <tr> <td><b>M0463.0</b></td> <td>QR-CBC51 (GU5,3) 12V max50W</td> <td></td> <td>0,15kg</td> </tr> <tr> <td><b>M046200*</b></td> <td>HIPAR51-CE-P (GX10) max35W</td> <td></td> <td>0,15kg</td> </tr> <tr> <td><b>M046700*</b></td> <td>LED (GU10) 230-240V</td> <td></td> <td>0,15kg</td> </tr> </tbody> </table>	CODE	LIGHT SOURCE	CLASS	WEIGHT	<b>M0463.0</b>	QR-CBC51 (GU5,3) 12V max50W		0,15kg	<b>M046200*</b>	HIPAR51-CE-P (GX10) max35W		0,15kg
CODE	LIGHT SOURCE	CLASS	WEIGHT													
<b>M0463.0</b>	QR-CBC51 (GU5,3) 12V max50W		0,15kg													
<b>M046200*</b>	HIPAR51-CE-P (GX10) max35W		0,15kg													
<b>M046700*</b>	LED (GU10) 230-240V		0,15kg													
QR-CBC51 (GU5,3)  HIPAR51-CE-P (GX10)  LED (GU10) 	*Available only in white.															

## TOPLITE 88 FIX COLOR


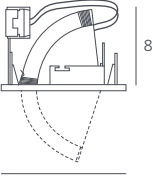


		 IP20 960° ○ white	 Ø75													
				<table border="1"> <thead> <tr> <th>CODE</th> <th>LIGHT SOURCE</th> <th>GLASS COLOUR</th> <th>WEIGHT</th> </tr> </thead> <tbody> <tr> <td><b>M041520</b></td> <td>QR-CBC51 (GU5,3) 12V max50W</td> <td>blue</td> <td>0,15kg</td> </tr> <tr> <td><b>M041530</b></td> <td>QR-CBC51 (GU5,3) 12V max50W</td> <td>orange</td> <td>0,15kg</td> </tr> <tr> <td><b>M041590</b></td> <td>QR-CBC51 (GU5,3) 12V max50W</td> <td>red</td> <td>0,15kg</td> </tr> </tbody> </table>	CODE	LIGHT SOURCE	GLASS COLOUR	WEIGHT	<b>M041520</b>	QR-CBC51 (GU5,3) 12V max50W	blue	0,15kg	<b>M041530</b>	QR-CBC51 (GU5,3) 12V max50W	orange	0,15kg
CODE	LIGHT SOURCE	GLASS COLOUR	WEIGHT													
<b>M041520</b>	QR-CBC51 (GU5,3) 12V max50W	blue	0,15kg													
<b>M041530</b>	QR-CBC51 (GU5,3) 12V max50W	orange	0,15kg													
<b>M041590</b>	QR-CBC51 (GU5,3) 12V max50W	red	0,15kg													
QR-CBC51 (GU5,3) 																

## TOPLITE 100 BI-ADJUSTABLE


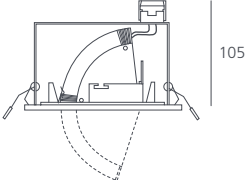


			IP20 960° ○ white <b>0</b> ● black <b>1</b> ● metal grey <b>6</b>																	
			QR-CBC51 (GU5,3)  HIPAR51-CE-P (GX10)  LED (GU10) 	<table border="1"> <thead> <tr> <th>CODE</th> <th>LIGHT SOURCE</th> <th>CLASS</th> <th>WEIGHT</th> </tr> </thead> <tbody> <tr> <td><b>M0429.5</b></td> <td>QR-CBC51 (GU5,3) 12V max50W</td> <td></td> <td>0,20kg</td> </tr> <tr> <td><b>M042500*</b></td> <td>HIPAR51-CE-P (GX10) max35W</td> <td></td> <td>0,20kg</td> </tr> <tr> <td><b>M046800*</b></td> <td>LED (GU10) 230-240V</td> <td></td> <td>0,20kg</td> </tr> </tbody> </table>	CODE	LIGHT SOURCE	CLASS	WEIGHT	<b>M0429.5</b>	QR-CBC51 (GU5,3) 12V max50W		0,20kg	<b>M042500*</b>	HIPAR51-CE-P (GX10) max35W		0,20kg	<b>M046800*</b>	LED (GU10) 230-240V		0,20kg
CODE	LIGHT SOURCE	CLASS	WEIGHT																	
<b>M0429.5</b>	QR-CBC51 (GU5,3) 12V max50W		0,20kg																	
<b>M042500*</b>	HIPAR51-CE-P (GX10) max35W		0,20kg																	
<b>M046800*</b>	LED (GU10) 230-240V		0,20kg																	

\*Available only in white.


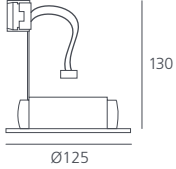


## TOPLITE 125 ADJUSTABLE 70°

			IP20 960° ○ white <b>0</b> ● black <b>1</b> ● metal grey <b>6</b>							
			QR-CBC51 (GU5,3) 	<table border="1"> <thead> <tr> <th>CODE</th> <th>LIGHT SOURCE</th> <th>WEIGHT</th> </tr> </thead> <tbody> <tr> <td><b>M0414.5</b></td> <td>QR-CBC51 (GU5,3) 12V max50W</td> <td>0,30kg</td> </tr> </tbody> </table>	CODE	LIGHT SOURCE	WEIGHT	<b>M0414.5</b>	QR-CBC51 (GU5,3) 12V max50W	0,30kg
CODE	LIGHT SOURCE	WEIGHT								
<b>M0414.5</b>	QR-CBC51 (GU5,3) 12V max50W	0,30kg								


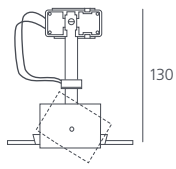



## SUPERTOP

			IP20 960° ○ white							
			QR-CBC51 (GU5,3) 	<table border="1"> <thead> <tr> <th>CODE</th> <th>LIGHT SOURCE</th> <th>WEIGHT</th> </tr> </thead> <tbody> <tr> <td><b>M044105</b></td> <td>QR-CBC51 (GU5,3) 12V max50W</td> <td>0,45kg</td> </tr> </tbody> </table>	CODE	LIGHT SOURCE	WEIGHT	<b>M044105</b>	QR-CBC51 (GU5,3) 12V max50W	0,45kg
CODE	LIGHT SOURCE	WEIGHT								
<b>M044105</b>	QR-CBC51 (GU5,3) 12V max50W	0,45kg								

## TOPLITE 125 FIX

		 Ø110						
			◆ ▼ IP20 960° ○ white					
QR-CBC51 (GU5,3) 	<table border="1"> <thead> <tr> <th>CODE</th> <th>LIGHT SOURCE</th> <th>WEIGHT</th> </tr> </thead> <tbody> <tr> <td><b>M046100</b></td> <td>QR-CBC51 (GU5,3) 12V max50W</td> <td>0,25kg</td> </tr> </tbody> </table>	CODE	LIGHT SOURCE	WEIGHT	<b>M046100</b>	QR-CBC51 (GU5,3) 12V max50W	0,25kg	
CODE	LIGHT SOURCE	WEIGHT						
<b>M046100</b>	QR-CBC51 (GU5,3) 12V max50W	0,25kg						


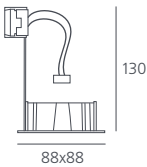


## TOPLITE 125 ADJUSTABLE 30°

		 Ø110  30°						
			◆ ▼ IP20 960° ○ white					
QR-CBC51 (GU5,3) 	<table border="1"> <thead> <tr> <th>CODE</th> <th>LIGHT SOURCE</th> <th>WEIGHT</th> </tr> </thead> <tbody> <tr> <td><b>M046105</b></td> <td>QR-CBC51 (GU5,3) 12V max50W</td> <td>0,25kg</td> </tr> </tbody> </table>	CODE	LIGHT SOURCE	WEIGHT	<b>M046105</b>	QR-CBC51 (GU5,3) 12V max50W	0,25kg	
CODE	LIGHT SOURCE	WEIGHT						
<b>M046105</b>	QR-CBC51 (GU5,3) 12V max50W	0,25kg						


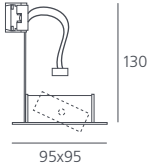




CITE MONDIALE DU VIN, BORDEAUX (F), PETUAUD, LETANG.


## TOPLITE SQUARE FIX



		 Ø75									
			IP20 960° ○ white <b>0</b> ● metal grey <b>6</b>								
QR-CBC51 (GU5,3) 	<table border="1"> <thead> <tr> <th>CODE</th> <th>LIGHT SOURCE</th> <th>WEIGHT</th> </tr> </thead> <tbody> <tr> <td><b>M0412.0</b></td> <td>QR-CBC51 (GU5,3) 12V max50W</td> <td>0,15kg</td> </tr> <tr> <td><b>M0465.0</b></td> <td>QR-CBC51 (GU5,3) 12V max50W LOW LUMINANCE</td> <td>0,15kg</td> </tr> </tbody> </table>	CODE	LIGHT SOURCE	WEIGHT	<b>M0412.0</b>	QR-CBC51 (GU5,3) 12V max50W	0,15kg	<b>M0465.0</b>	QR-CBC51 (GU5,3) 12V max50W LOW LUMINANCE	0,15kg	
CODE	LIGHT SOURCE	WEIGHT									
<b>M0412.0</b>	QR-CBC51 (GU5,3) 12V max50W	0,15kg									
<b>M0465.0</b>	QR-CBC51 (GU5,3) 12V max50W LOW LUMINANCE	0,15kg									

## TOPLITE SQUARE ADJUSTABLE

		 83x83 30°									
			IP20 960° ○ white <b>0</b> ● metal grey <b>6</b>								
QR-CBC51 (GU5,3) 	<table border="1"> <thead> <tr> <th>CODE</th> <th>LIGHT SOURCE</th> <th>WEIGHT</th> </tr> </thead> <tbody> <tr> <td><b>M0412.5</b></td> <td>QR-CBC51 (GU5,3) 12V max50W</td> <td>0,20kg</td> </tr> <tr> <td><b>M0465.5</b></td> <td>QR-CBC51 (GU5,3) 12V max50W LOW LUMINANCE</td> <td>0,20kg</td> </tr> </tbody> </table>	CODE	LIGHT SOURCE	WEIGHT	<b>M0412.5</b>	QR-CBC51 (GU5,3) 12V max50W	0,20kg	<b>M0465.5</b>	QR-CBC51 (GU5,3) 12V max50W LOW LUMINANCE	0,20kg	
CODE	LIGHT SOURCE	WEIGHT									
<b>M0412.5</b>	QR-CBC51 (GU5,3) 12V max50W	0,20kg									
<b>M0465.5</b>	QR-CBC51 (GU5,3) 12V max50W LOW LUMINANCE	0,20kg									

## TOPLITE ACCESSORIES

	<b>M081047</b> Louvre for TOPLITE 88 FIX, TOPLITE 100 BI-ADJUSTABLE, TOPLITE 125 ADJUSTABLE 70°, SUPERTOP, TOPLITE SQUARE FIX and TOPLITE SQUARE ADJUSTABLE.
---	--

	<b>M070211</b> Electronic transformer 10-60W, 230-240/12V. 123x32x32mm. Class II. Dimmable by trailing or leading edge external dimmers.
	<b>M070032</b> Electronic ballast 230-240V, class I, for HIPAR51 (GX10) 1x35W. 132x64x37mm.

# VULCANIA RECESSED

design A. PEDRETTI - STUDIO ROTA & PARTNERS


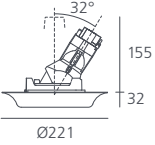







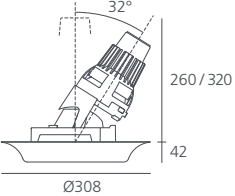









- A RANGE OF FIXED AND DIRECTIONAL RECESSED DOWNLIGHTS USING 12V HALOGEN, METAL-HALIDE AND FLUORESCENT LAMPS.
- ALUMINIUM OR INJECTION MOULDED PLASTIC BODY.
- DECORATIVE RING IN ABS/PC, FIXED BY A SIMPLE QUARTER TURN ROTATION.
- 3 DIAMETER OPTIONS: Ø221MM, Ø308MM AND Ø375MM.
- TILT ANGLE OF UP TO 32°.
- LAMPS CAN BE MAINTAINED WITHOUT THE NEED FOR TOOLS.
- REMOTE CONTROL GEAR.
- HIT VERSION INCLUDES PROTECTIVE GLASS.
- FLUORESCENT VERSION COMES WITH AN ANTI-DAZZLE CROSS-BLADE AND INTEGRAL ELECTRONIC BALLAST.
- COMPLIES WITH STANDARD EN60598-1 AND OTHER SPECIFIC STANDARDS.



## VULCANIA RECESSED Ø221


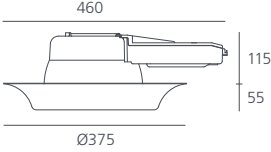


		
QR-CBC51 (GU5,3) 	<b>CODE</b> <b>LIGHT SOURCE</b> <b>WEIGHT</b>	
	<b>M106020</b> QR-CBC51 (GU5,3) 12V 1xmax50W	0,55kg

## VULCANIA RECESSED Ø308

			
			IP20 960°  0.3 ○ white
QR111 (G53)  HIR111-CE-P (GX8,5)  HIT-CE (G12) 	<b>CODE</b> <b>LIGHT SOURCE</b> <b>CLASS</b> <b>WEIGHT</b>		
	<b>M106120</b> QR111 (G53) 12V 1xmax100W		1,40kg
	<b>M106220</b> HIR111-CE-P (GX8,5) 1xmax70W		1,40kg
	<b>M106320</b> HIT-CE (G12) 1x70W 2x20°		1,50kg
	<b>M106420</b> HIT-CE (G12) 1x150W 2x20°		1,50kg


photometric data: see page 424.

## VULCANIA RECESSED Ø375

		
TC-DEL (G24q-3) 	<b>CODE</b> <b>LIGHT SOURCE</b> <b>WEIGHT</b>	
	<b>M106520</b> TC-DEL (G24q-3) 2x26W	2,00kg
	<b>M106527</b> TC-DEL (G24q-3) 2x26W + emergency 1h	2,70kg
Anti-dazzle cross-blade louvre and electronic control gear included.		

photometric data: see page 424.

## VULCANIA ACCESSORIES


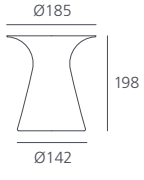





	Electronic transformer 230-240V/12V. Class II. Dimmable by trailing or leading edge external dimmers.		<b>M080085</b> UV filter for HIT version.
	<b>M070211</b> 10-60W. 123x32x23mm. <b>M070412</b> 35-105W. 102x51x30mm.		
	Electronic ballast 230-240V. Class I.		
	<b>M070322</b> For HIT 1x35W. 155x83x32mm.		
	<b>M070522</b> For HIT 1x70W. 150x80x35mm. <b>M070622</b> For HIT 1x150W. 150x90x40mm.		

# VULCANIA CEILING



- CEILING LIGHT USING QR111 75W/12V HALOGEN LIGHT SOURCE.
- ALUMINUM BODY WITH WHITE PAINT FINISH.
- TILT ANGLE OF UP TO 20°, ROTATION OF UP TO 355°.
- LAMPS CAN BE MAINTAINED WITHOUT THE NEED FOR TOOLS.
- ELECTRONIC TRANSFORMER.
- COMPLIES WITH STANDARD EN60598-1 AND OTHER SPECIFIC STANDARDS.

# VULCANIA CEILING

											
<p>QR111 (G53) </p>	<p>  IP20 960°  white</p>	<table border="1"> <thead> <tr> <th>CODE</th> <th>LIGHT SOURCE</th> <th>WEIGHT</th> </tr> </thead> <tbody> <tr> <td><b>M019020</b></td> <td>QR111 (G53) 12V max75W</td> <td>1,90kg</td> </tr> <tr> <td colspan="3">Integral electronic transformer 35-75W, 230-240V/12V. Dimmable by trailing edge external dimmers.</td> </tr> </tbody> </table>	CODE	LIGHT SOURCE	WEIGHT	<b>M019020</b>	QR111 (G53) 12V max75W	1,90kg	Integral electronic transformer 35-75W, 230-240V/12V. Dimmable by trailing edge external dimmers.		
CODE	LIGHT SOURCE	WEIGHT									
<b>M019020</b>	QR111 (G53) 12V max75W	1,90kg									
Integral electronic transformer 35-75W, 230-240V/12V. Dimmable by trailing edge external dimmers.											



ABOVE AND PAGE 148: JUST CAVALLI, ROME (I), STUDIO ITALO ROTA & PARTNERS.

# L.D. SYSTEM

design ALBERTO MEDA - PAOLO RIZZATO



L.D. SYSTEM 156



L.D. SYSTEM 96



L.D. SYSTEM 66




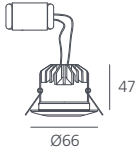



L.D. SYSTEM 206

- A RANGE OF RECESSED FIXED DOWNLIGHTS USING 12V HALOGEN, METAL-HALIDE AND FLUORESCENT LAMPS.
- DIE-CAST ALUMINIUM AND STEEL BODY.
- REFLECTORS MADE FROM SUPER PURE ALUMINIUM OR METALLISED POLYCARBONATE.
- DIE-CAST ALUMINIUM RING, AVAILABLE IN 3 COLOURS, TO BE CLIPPED ON THE FIXTURE.
- 4 DIAMETER OPTIONS: Ø66MM, Ø96MM, Ø156MM AND Ø206MM.
- UV FILTER INCLUDED WITH HIT VERSION.
- INTEGRAL BALLAST WITH FLUORESCENT VERSION.
- COMPLIES WITH STANDARD EN60598-1 AND OTHER SPECIFIC STANDARDS.


IMAGE SCALE 1:1




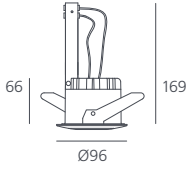



## L.D. SYSTEM 66

		 Ø58						
			IP20 850°  ○ white <b>2</b> ● nickel matt <b>7</b> ● chrome <b>9</b>					
QR-CBC35 (GU4) 	<table border="1"> <thead> <tr> <th>CODE</th> <th>LIGHT SOURCE</th> <th>WEIGHT</th> </tr> </thead> <tbody> <tr> <td><b>L6006.0</b></td> <td>QR-CBC35 (GU4) 12V max20W</td> <td>0,60kg</td> </tr> </tbody> </table>	CODE	LIGHT SOURCE	WEIGHT	<b>L6006.0</b>	QR-CBC35 (GU4) 12V max20W	0,60kg	
CODE	LIGHT SOURCE	WEIGHT						
<b>L6006.0</b>	QR-CBC35 (GU4) 12V max20W	0,60kg						


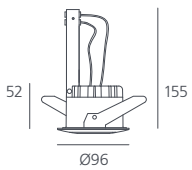



## L.D. SYSTEM 66 ACCESSORIES

	<b>L621000</b> Mounting box for cut outs in concrete ceilings.		<b>M070211</b> Electronic transformer 10-60W, 230-240V/12V. 123x32x23mm. Class II. Dimmable by trailing or leading edge external dimmers.
---	--	---	---

## L.D. SYSTEM 96

		 Ø81						
			IP20 850°  ○ white <b>2</b> ● nickel matt <b>7</b> ● chrome <b>9</b>					
QT12-UVR-ax (GY6,35) 	<table border="1"> <thead> <tr> <th>CODE</th> <th>LIGHT SOURCE</th> <th>WEIGHT</th> </tr> </thead> <tbody> <tr> <td><b>L6003.0</b></td> <td>QT12-UVR-ax (GY6,35) 12V max50W</td> <td>1,20kg</td> </tr> </tbody> </table>	CODE	LIGHT SOURCE	WEIGHT	<b>L6003.0</b>	QT12-UVR-ax (GY6,35) 12V max50W	1,20kg	
CODE	LIGHT SOURCE	WEIGHT						
<b>L6003.0</b>	QT12-UVR-ax (GY6,35) 12V max50W	1,20kg						


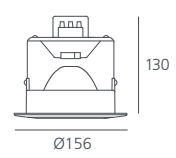








photometric data: see page 421.

		 Ø81						
			IP20 850°  ○ white <b>2</b> ● nickel matt <b>7</b> ● chrome <b>9</b>					
QR-CBC51 (GU5,3) 	<table border="1"> <thead> <tr> <th>CODE</th> <th>LIGHT SOURCE</th> <th>WEIGHT</th> </tr> </thead> <tbody> <tr> <td><b>L6004.0</b></td> <td>QR-CBC51 (GU5,3) 12V max50W</td> <td>1,20kg</td> </tr> </tbody> </table>	CODE	LIGHT SOURCE	WEIGHT	<b>L6004.0</b>	QR-CBC51 (GU5,3) 12V max50W	1,20kg	
CODE	LIGHT SOURCE	WEIGHT						
<b>L6004.0</b>	QR-CBC51 (GU5,3) 12V max50W	1,20kg						


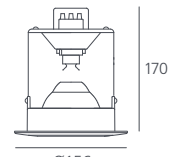








## L.D. SYSTEM 96 ACCESSORIES

	<b>L621001</b> Mounting box for cut outs in concrete ceilings.		<b>M070211</b> Electronic transformer 10-60W, 230-240V/12V. 123x32x23mm. Class II. Dimmable by trailing or leading edge external dimmers.
---	--	---	---

## L.D. SYSTEM 156

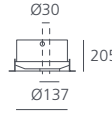
								
			<p>    </p> <p>  white <b>2</b>  nickel matt <b>7</b>  chrome <b>9</b> </p>					
<p>QT12-UVR-ax (GY6,35) </p>	<table border="1"> <thead> <tr> <th>CODE</th> <th>LIGHT SOURCE</th> <th>WEIGHT</th> </tr> </thead> <tbody> <tr> <td><b>L6010.0</b></td> <td>QT12-UVR-ax (GY6,35) 12V max60W</td> <td>1,00kg</td> </tr> </tbody> </table>	CODE	LIGHT SOURCE	WEIGHT	<b>L6010.0</b>	QT12-UVR-ax (GY6,35) 12V max60W	1,00kg	
CODE	LIGHT SOURCE	WEIGHT						
<b>L6010.0</b>	QT12-UVR-ax (GY6,35) 12V max60W	1,00kg						



photometric data: see page 421.

								
			<p>    </p> <p>  white <b>2</b>  nickel matt <b>7</b>  chrome <b>9</b> </p>					
<p>HIT-CE (G12) </p>	<table border="1"> <thead> <tr> <th>CODE</th> <th>LIGHT SOURCE</th> <th>WEIGHT</th> </tr> </thead> <tbody> <tr> <td><b>L6019.0</b></td> <td>HIT-CE (G12) max70W</td> <td>1,40kg</td> </tr> </tbody> </table>	CODE	LIGHT SOURCE	WEIGHT	<b>L6019.0</b>	HIT-CE (G12) max70W	1,40kg	
CODE	LIGHT SOURCE	WEIGHT						
<b>L6019.0</b>	HIT-CE (G12) max70W	1,40kg						

photometric data: see page 421.

## L.D. SYSTEM 156 ACCESSORIES


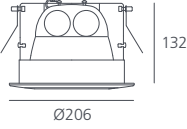
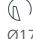

	<p><b>L621003</b> Mounting box for cut outs in concrete ceilings. For L6010.0 only.</p>
---	---

	<p>Electronic transformer 230-240V/12V. Class II. Dimmable by trailing or leading edge external dimmers.</p> <p><b>M070211</b> 10-60W. 123x32x23mm.</p> <p><b>M070412</b> 35-105W. 102x51x30mm.</p>
	<p><b>M070522</b> Electronic ballast 230-240V. Class I. For HIT 1x70W. 150x80x35mm.</p>


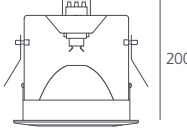





STILWERK, DÜSSELDORF (D).

## L.D. SYSTEM 206


		 Ø176						
			Ⓢ Ⓡ IP20 850° ○ white <b>2</b> ● nickel matt <b>7</b> ● chrome <b>9</b>					
TC-DEL (G24q-2) 	<table border="1"> <thead> <tr> <th>CODE</th> <th>LIGHT SOURCE</th> <th>WEIGHT</th> </tr> </thead> <tbody> <tr> <td><b>L6077.0</b></td> <td>TC-DEL (G24q-2) 2x18W</td> <td>1,40kg</td> </tr> </tbody> </table>	CODE	LIGHT SOURCE	WEIGHT	<b>L6077.0</b>	TC-DEL (G24q-2) 2x18W	1,40kg	
CODE	LIGHT SOURCE	WEIGHT						
<b>L6077.0</b>	TC-DEL (G24q-2) 2x18W	1,40kg						

photometric data: see page 421.

		 Ø176									
			Ⓢ Ⓡ IP20 850°  ○ white <b>2</b> ● nickel matt <b>7</b> ● chrome <b>9</b>								
HIT-CE (G12) 	<table border="1"> <thead> <tr> <th>CODE</th> <th>LIGHT SOURCE</th> <th>WEIGHT</th> </tr> </thead> <tbody> <tr> <td><b>L6034.0</b></td> <td>HIT-CE (G12) max70W</td> <td>1,70kg</td> </tr> <tr> <td><b>L6036.0</b></td> <td>HIT-CE (G12) max150W</td> <td>1,70kg</td> </tr> </tbody> </table>	CODE	LIGHT SOURCE	WEIGHT	<b>L6034.0</b>	HIT-CE (G12) max70W	1,70kg	<b>L6036.0</b>	HIT-CE (G12) max150W	1,70kg	
CODE	LIGHT SOURCE	WEIGHT									
<b>L6034.0</b>	HIT-CE (G12) max70W	1,70kg									
<b>L6036.0</b>	HIT-CE (G12) max150W	1,70kg									

photometric data: see page 421.

## L.D. SYSTEM 206 ACCESSORIES

	Electronic ballast 230-240V. Class I.
	<b>M070522</b> For HIT 1x70W. 150x80x35mm.
	<b>M070622</b> For HIT 1x150W. 150x90x40mm.



WEDIT SCHULUNGSZENTRUM, HANNOVER (D).

# AYRTON



AYRTON 125



AYRTON 98


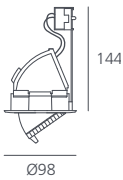


- A RANGE OF RECESSED ADJUSTABLE DOWNLIGHTS USING 12V HALOGEN AND METAL-HALIDE LAMPS.
- BODY IN DIE-CAST ALUMINIUM AND TECHNOPYLMERS, AVAILABLE WITH WHITE OR CHROME FINISH.
- 3 DIAMETER OPTIONS: Ø98MM, Ø125MM AND Ø156MM.
- TILT ANGLE OF UP TO 45° AND ROTATION OF UP TO 355° DEPENDING ON THE VERSION.
- SAFETY GLASS WITH HIT VERSION.
- REMOTE CONTROL GEAR.
- COMPLIES WITH STANDARD EN60598-1 AND OTHER SPECIFIC STANDARDS.

IMAGE SCALE 1:1



AYRTON 156


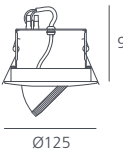


## AYRTON 98

		
QR-CBC51 (GU5,3) 	<b>CODE</b> <b>LIGHT SOURCE</b> <b>WEIGHT</b>	
	<b>L6135.0</b> QR-CBC51 (GU5,3) 12V max50W      1,20kg	

## AYRTON 98 ACCESSORIES

	<b>M070211</b> Electronic transformer 10-60W, 230-240V/12V. 123x32x23mm. Class II. Dimmable by trailing or leading edge external dimmers.		<b>L621200</b> Mounting box for cut outs in concrete ceilings.
---	---	---	--

## AYRTON 125

		
QR-CBC51 (GU5,3) 	<b>CODE</b> <b>LIGHT SOURCE</b> <b>WEIGHT</b>	
	<b>L6104.0</b> QR-CBC51 (GU5,3) 12V max50W      1,50kg	


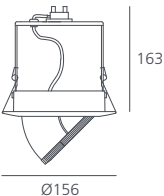









## AYRTON 125 ACCESSORIES

	<b>M070211</b> Electronic transformer 10-60W, 230-240V/12V. 123x32x23mm. Class II. Dimmable by trailing or leading edge external dimmers.		<b>L621002</b> Mounting box for cut outs in concrete ceilings.
---	---	---	--




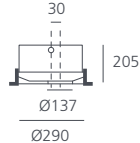

IBM, ZÜRICH (CH), KELLER DESIGN.

## AYRTON 156

			 IP20 850°   white										
			<table border="1"> <thead> <tr> <th>CODE</th> <th>LIGHT SOURCE</th> <th>CLASS</th> <th>WEIGHT</th> </tr> </thead> <tbody> <tr> <td>L611120</td> <td>QR-CBC51 (GU5,3) 12V max50W</td> <td></td> <td>1,30kg</td> </tr> <tr> <td>L612220</td> <td>HIT-CE (G12) max70W</td> <td></td> <td>1,50kg</td> </tr> </tbody> </table>	CODE	LIGHT SOURCE	CLASS	WEIGHT	L611120	QR-CBC51 (GU5,3) 12V max50W		1,30kg	L612220	HIT-CE (G12) max70W
CODE	LIGHT SOURCE	CLASS	WEIGHT										
L611120	QR-CBC51 (GU5,3) 12V max50W		1,30kg										
L612220	HIT-CE (G12) max70W		1,50kg										

photometric data: see page 419.

## AYRTON 156 ACCESSORIES

	<p><b>M70211</b> Electronic transformer 10-60W, 230-240V/12V. 123x32x23mm. Class II. Dimmable by trailing or leading edge external dimmers.</p>		<p><b>L621003</b> Mounting box for cut outs in concrete ceilings. For L611120 only.</p>
	<p><b>M70522</b> Electronic ballast 230-240V. Class I. For HIT 1x70W. 150x30x35mm.</p>		



BMW, SAN DONATO MILANESE (I), KENZO TANGE.


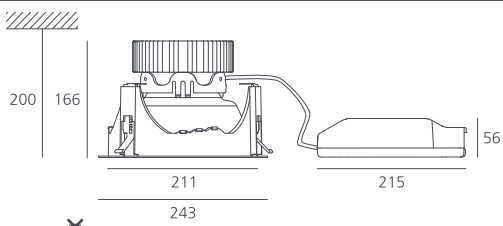




# LUCERI LED

NEW




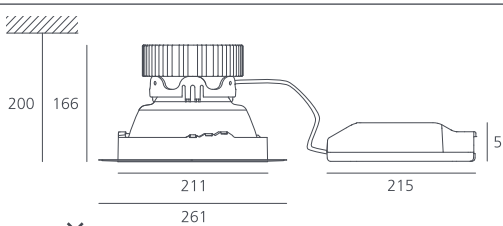




- RECESSED FIXED ROUND LUMINAIRES WITH HIGH-EFFICIENCY LED-MODULE.
- 3 DESIGNS AVAILABLE: VERSION WITH FRAME FOR SURFACE MOUNTING (LUCERI LED 'JAVA'), AND TRIMLESS VERSION WITH 2 FINISHES OPTIONS : FLUSH MOUNTING TO THE CEILING (LUCERI LED 'NOTHING') OR SET BACK INSTALLATION WITH A ROUNDED EDGE FINISH (LUCERI LED 'SOFT').
- RECESSING RINGS IN POLYCARBONATE. REFLECTORS MADE FROM TECHNOLOGICAL POLYMERS WITH SMOOTH SPECULAR METALLISED COATING WITH AN ANTI-SCRATCH PROTECTIVE LAYER (VERSIONS 'JAVA' AND 'NOTHING') OR WITH WHITE FINISH ('SOFT' VERSION).
- THE OPTICS SYSTEM CONSISTS OF A LIGHTING CHAMBER WITH INTEGRAL PASSIVE THERMAL MANAGEMENT SYSTEM, AND FEATURED WITH CREE TRUE WHITE® TECHNOLOGY, AN INTELLIGENT SYSTEM THAT GUARANTEES A CONSTANT COLOUR TEMPERATURE AND PERMANENT COLOUR RENDERING INDEX THROUGHOUT ENTIRE SERVICE LIFE.
- HIGH LUMINOUS FLUX: 2000 LM (27W) AND 2900 LM (37W) AVAILABLE WITH WARM WHITE (3000K) AND NEUTRAL WHITE (4000K) TONES.
- SYMMETRIC WIDE-BEAM LIGHT DISTRIBUTION. LOR: 88%.
- EXCELLENT COLOUR RENDERING: CRI > 90.
- VERSIONS 'NOTHING' AND 'JAVA': REFLECTOR WITH GLARE-CONTROL (UGR < 19).
- SERVICE LIFE: 50000 HOURS AT 70% LUMINOUS FLUX.
- 'JAVA' RING WITH SPRING SYSTEM FOR TOOL-FREE RECESSED MOUNTING IN CEILINGS WITH THICKNESS RANGING FROM 1 TO 25 MM.
- LUMINAIRE COMES COMPLETE WITH LED-MODULE AND DALI DIMMABLE ELECTRONIC DRIVER (SEPARATE). BRIDGING CONNECTION IS POSSIBLE.
- DUST-PROTECTION SCREEN IN TRANSPARENT POLYCARBONATE AS AN OPTIONAL EXTRA, INSTALLED BY SIMPLE TWIST-AND-LOCK MECHANISM.
- COMPLIES WITH STANDARD EN60598-1 AND OTHER SPECIFIC STANDARDS.

## LUCERI LED 'JAVA'

		  IP20 750° <span style="margin-left: 20px;">○ white 2</span> <span style="margin-left: 20px;">● grey 6</span>	 Ø230													
				LED MONOCHROMATIC 	<table border="1"> <thead> <tr> <th>CODE</th> <th>LIGHT SOURCE</th> <th>WEIGHT</th> </tr> </thead> <tbody> <tr> <td><b>M2380.0</b></td> <td>LED 27W 3000K dimmable DALI</td> <td>1,50kg</td> </tr> <tr> <td><b>M2381.0</b></td> <td>LED 27W 4000K dimmable DALI</td> <td>1,50kg</td> </tr> <tr> <td><b>M2382.0</b></td> <td>LED 37W 3000K dimmable DALI</td> <td>1,50kg</td> </tr> <tr> <td><b>M2383.0</b></td> <td>LED 37W 4000K dimmable DALI</td> <td>1,50kg</td> </tr> </tbody> </table>	CODE	LIGHT SOURCE	WEIGHT	<b>M2380.0</b>	LED 27W 3000K dimmable DALI	1,50kg	<b>M2381.0</b>	LED 27W 4000K dimmable DALI	1,50kg	<b>M2382.0</b>	LED 37W 3000K dimmable DALI
CODE	LIGHT SOURCE	WEIGHT														
<b>M2380.0</b>	LED 27W 3000K dimmable DALI	1,50kg														
<b>M2381.0</b>	LED 27W 4000K dimmable DALI	1,50kg														
<b>M2382.0</b>	LED 37W 3000K dimmable DALI	1,50kg														
<b>M2383.0</b>	LED 37W 4000K dimmable DALI	1,50kg														


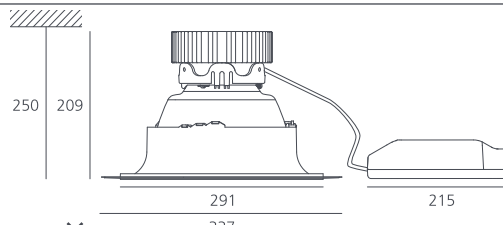




photometric data: see page 425.

## LUCERI LED 'NOTHING'

		  IP20 750°	 Ø216													
				LED MONOCHROMATIC 	<table border="1"> <thead> <tr> <th>CODE</th> <th>LIGHT SOURCE</th> <th>WEIGHT</th> </tr> </thead> <tbody> <tr> <td><b>M238400</b></td> <td>LED 27W 3000K dimmable DALI</td> <td>1,50kg</td> </tr> <tr> <td><b>M238500</b></td> <td>LED 27W 4000K dimmable DALI</td> <td>1,50kg</td> </tr> <tr> <td><b>M238600</b></td> <td>LED 37W 3000K dimmable DALI</td> <td>1,50kg</td> </tr> <tr> <td><b>M238700</b></td> <td>LED 37W 4000K dimmable DALI</td> <td>1,50kg</td> </tr> </tbody> </table>	CODE	LIGHT SOURCE	WEIGHT	<b>M238400</b>	LED 27W 3000K dimmable DALI	1,50kg	<b>M238500</b>	LED 27W 4000K dimmable DALI	1,50kg	<b>M238600</b>	LED 37W 3000K dimmable DALI
CODE	LIGHT SOURCE	WEIGHT														
<b>M238400</b>	LED 27W 3000K dimmable DALI	1,50kg														
<b>M238500</b>	LED 27W 4000K dimmable DALI	1,50kg														
<b>M238600</b>	LED 37W 3000K dimmable DALI	1,50kg														
<b>M238700</b>	LED 37W 4000K dimmable DALI	1,50kg														


photometric data: see page 425.

## LUCERI LED 'SOFT'

		  IP20 750°	 Ø292													
				LED MONOCHROMATIC 	<table border="1"> <thead> <tr> <th>CODE</th> <th>SOURCE</th> <th>WEIGHT</th> </tr> </thead> <tbody> <tr> <td><b>M238800</b></td> <td>LED 27W 3000K dimmable DALI</td> <td>1,50kg</td> </tr> <tr> <td><b>M238900</b></td> <td>LED 27W 4000K dimmable DALI</td> <td>1,50kg</td> </tr> <tr> <td><b>M239000</b></td> <td>LED 37W 3000K dimmable DALI</td> <td>1,50kg</td> </tr> <tr> <td><b>M239100</b></td> <td>LED 37W 4000K dimmable DALI</td> <td>1,50kg</td> </tr> </tbody> </table>	CODE	SOURCE	WEIGHT	<b>M238800</b>	LED 27W 3000K dimmable DALI	1,50kg	<b>M238900</b>	LED 27W 4000K dimmable DALI	1,50kg	<b>M239000</b>	LED 37W 3000K dimmable DALI
CODE	SOURCE	WEIGHT														
<b>M238800</b>	LED 27W 3000K dimmable DALI	1,50kg														
<b>M238900</b>	LED 27W 4000K dimmable DALI	1,50kg														
<b>M239000</b>	LED 37W 3000K dimmable DALI	1,50kg														
<b>M239100</b>	LED 37W 4000K dimmable DALI	1,50kg														

photometric data: see page 425.

## LUCERI LED ACCESSORIES

	<b>M239200</b> Dust-protection screen in transparent polycarbonate.
---	---

# LUCERI



LUCERI 220 WITH ANTI-DAZZLE CROSS-BLADE LOUVRE



LUCERI 150 WITH LENTICULAR THERMOPLASTIC SCREEN



LUCERI 290 WITH DECORATIVE FROSTED GLASS

- A RANGE OF RECESSED DOWNLIGHTS USING 1x13W TO 2x42W COMPACT FLUORESCENT LAMPS.
- BODY MADE FROM TECHNOPOLYMERS. REFLECTOR IN VACUUM-METALLISED POLYCARBONATE WITH ANTI-SCRATCH SURFACE TREATMENT.
- DECORATIVE RING MADE FROM ALUMINIUM OR INJECTION MOULDED PLASTIC, AVAILABLE IN 4 COLOUR OPTIONS, WITH OR WITHOUT SCREEN (IP44). FITTING IS MADE BY ONE QUARTER TURN ROTATION.
- 3 RECESS DIAMETER OPTIONS: Ø150MM, Ø220MM AND Ø290MM.
- THE LUCERI RANGE IS AVAILABLE AS LUCERI SYSTEM, WHICH PROVIDES AMPLE POSSIBILITIES OF COMBINING OPTICS AND RINGS, OR AS LUCERI QUICK REFERENCE WHICH OFFERS PREDETERMINED OPTIC AND RING ASSEMBLIES.
- THE LUCERI SCREEN DARK LIGHT OPTIC ENSURES A CONTROLLED LUMINANCE LEVEL OF LESS THAN 200 CD/M<sup>2</sup> FOR AN OBSERVATION ANGLE OF 65° OR ABOVE WITH RESPECT TO THE VERTICAL AXIS, WELL WITHIN THE LIMITS SET BY STANDARD EN 12464-1.
- LOW RECESS DEPTH: FROM 115 TO 145MM DEPENDING ON THE VERSION, FOR CEILINGS OF 1MM TO 35MM THICK.
- LIGHT OUTPUT RATIO: UP TO 60% DEPENDING ON THE VERSION.
- ELECTRONIC BALLAST, WITH OR WITHOUT DIMMING, AND EMERGENCY LIGHTING.
- ELECTRICAL CONNECTION BY MEANS OF QUICK CONNECTORS.
- BRIDGING CONNECTION POSSIBLE.
- COMPLIES WITH STANDARD EN60598-1 AND OTHER SPECIFIC STANDARDS.

# LUCERI SYSTEM



## LUCERI 150

## LUCERI 220 FLAT



PLASTIC FRONT



DIE-CAST ALUMINIUM FRONT



ANTI-DAZZLE  
CROSS-BLADE LOUVRE



PLASTIC FRONT  
WITH TRANSPARENT GLASS  
IP44



PLASTIC FRONT  
WITH SILKSCREEN PRINTED GLASS  
IP44



PLASTIC FRONT  
WITH PRISMOPTIC DIFFUSER  
IP44



DIE-CAST ALUMINIUM FRONT  
WITH LENTICULAR THERMOPLASTIC SCREEN  
IP44



DIE-CAST ALUMINIUM FRONT  
WITH DECORATIVE FROSTED GLASS  
IP44 (Ø220)





LUCERI 220  
SCREEN

TC-DEL   
TC-TEL 

LUCERI 220  
WALL WASHER

TC-DEL 


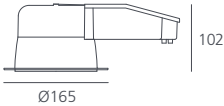



LUCERI 290

TC-TEL 


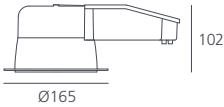

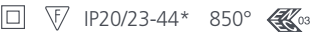





## LUCERI SYSTEM 150 OPTICS


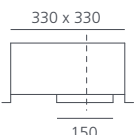
								
								
TC-DEL (G24q-1) 	<table border="1"> <thead> <tr> <th>CODE</th> <th>LIGHT SOURCE</th> <th>WEIGHT</th> </tr> </thead> <tbody> <tr> <td><b>L590300</b></td> <td>TC-DEL (G24q-1) 1x13W</td> <td>0,50kg</td> </tr> </tbody> </table>	CODE	LIGHT SOURCE	WEIGHT	<b>L590300</b>	TC-DEL (G24q-1) 1x13W	0,50kg	
CODE	LIGHT SOURCE	WEIGHT						
<b>L590300</b>	TC-DEL (G24q-1) 1x13W	0,50kg						



photometric data: see page 425.

								
								
TC-TEL (GX24q-2) 	<table border="1"> <thead> <tr> <th>CODE</th> <th>LIGHT SOURCE</th> <th>WEIGHT</th> </tr> </thead> <tbody> <tr> <td><b>L590600</b></td> <td>TC-TEL (GX24q-2) 1x18W</td> <td>0,50kg</td> </tr> </tbody> </table>	CODE	LIGHT SOURCE	WEIGHT	<b>L590600</b>	TC-TEL (GX24q-2) 1x18W	0,50kg	
CODE	LIGHT SOURCE	WEIGHT						
<b>L590600</b>	TC-TEL (GX24q-2) 1x18W	0,50kg						

photometric data: see page 425.

## LUCERI SYSTEM 150 ACCESSORIES

	<p>Die-cast aluminium front.</p> <p><b>L591520</b> White.  <b>L591540</b> Grey.  <b>L591570</b> Nickel matt.  <b>L591590</b> Chrome.</p>
	<p>For IP23 850°</p>
	<p><b>L621100</b> Mounting box for recess in concrete ceilings.</p>


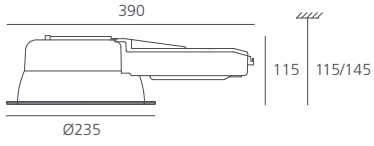



	<p><b>L591220</b> Die-cast aluminium front with lenticular thermoplastic screen. White.</p>
	<p>For IP44 850°</p>
	<p>Die-cast aluminium front with decorative frosted glass.</p> <p><b>L591320</b> White.  <b>L591390</b> Chrome.</p>
	<p>For IP23 850°</p>


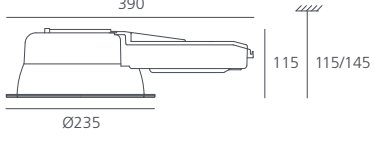



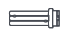


\*IP20= recessed part  
 IP23 or IP44= external part depending on the accessory used



ABOVE: RAMADA HOTEL, MILAN (I), LAURA FRANCHI.  
 PAGE 168 AND 172-173: HQ'S PIQUADRO, SILLA DI GAGGIO MONTANO (I), KARIM AZZABI.


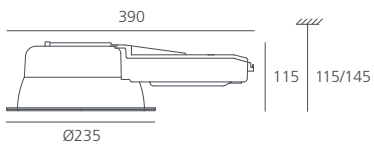



## LUCERI SYSTEM 220 FLAT OPTICS

			
			
TC-DEL (G24q-3) 	<b>CODE</b>	<b>LIGHT SOURCE</b>	<b>WEIGHT</b>
	<b>L597400</b>	TC-DEL (G24q-3) 1x26W	0,80kg

			
			
TC-DEL (G24q-2/3) 	<b>CODE</b>	<b>LIGHT SOURCE</b>	<b>WEIGHT</b>
TC-TEL (GR14q-1) 	<b>L593000</b>	TC-TEL (GR14q-1) 2x14W/17W	0,80kg
	<b>L596600</b>	TC-DEL (G24q-2) 2x18W 	0,80kg
	<b>L596700</b>	TC-DEL (G24q-3) 2x26W 	0,80kg


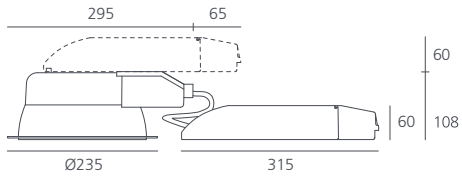






accessories see page 174.  
photometric data: see page 425.

## LUCERI SYSTEM 220 FLAT WITH EMERGENCY (AUTONOMY 1h) - OPTICS

			
			
TC-DEL (G24q-2/3) 	<b>CODE</b>	<b>LIGHT SOURCE</b>	<b>WEIGHT</b>
	<b>L596800</b>	TC-DEL (G24q-2) 2x18W + emergency 1h	1,50kg
	<b>L596900</b>	TC-DEL (G24q-3) 2x26W + emergency 1h	1,50kg

accessories see page 174.  
photometric data: see page 425.


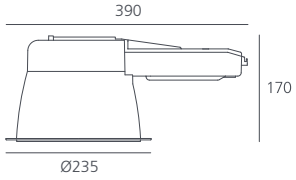










## LUCERI SYSTEM 220 FLAT DIMMABLE - OPTICS

			
			
TC-DEL (G24q-2/3) 	<b>CODE</b>	<b>LIGHT SOURCE</b>	<b>WEIGHT</b>
TC-TEL (GR14q-1) 	<b>L593001</b>	TC-TEL (GR14q-1) 2x17W dimmable DALI	1,30kg
	<b>L593100</b>	TC-DEL (G24q-2) 2x18W dimmable DSI 	1,30kg
	<b>L593200</b>	TC-DEL (G24q-3) 2x26W dimmable DSI 	1,30kg

accessories see page 174.  
photometric data: see page 425.


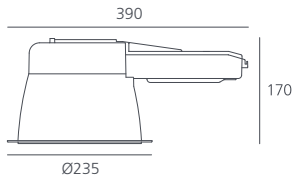



\*IP20= recessed part.  
IP23 or IP44= external part depending on the accessory used.

## LUCERI SYSTEM 220 SCREEN OPTICS

														
														
TC-DEL (G24q-2/3)  TC-TEL (GR14q-1) 	<table border="1"> <thead> <tr> <th>CODE</th> <th>LIGHT SOURCE</th> <th>WEIGHT</th> </tr> </thead> <tbody> <tr> <td><b>L594600</b></td> <td>TC-TEL (GR14q-1) 2x14W/17W</td> <td>0,90kg</td> </tr> <tr> <td><b>L597600</b></td> <td>TC-DEL (G24q-2) 2x18W </td> <td>0,90kg</td> </tr> <tr> <td><b>L597700</b></td> <td>TC-DEL (G24q-3) 2x26W </td> <td>0,90kg</td> </tr> </tbody> </table>	CODE	LIGHT SOURCE	WEIGHT	<b>L594600</b>	TC-TEL (GR14q-1) 2x14W/17W	0,90kg	<b>L597600</b>	TC-DEL (G24q-2) 2x18W 	0,90kg	<b>L597700</b>	TC-DEL (G24q-3) 2x26W 	0,90kg	
CODE	LIGHT SOURCE	WEIGHT												
<b>L594600</b>	TC-TEL (GR14q-1) 2x14W/17W	0,90kg												
<b>L597600</b>	TC-DEL (G24q-2) 2x18W 	0,90kg												
<b>L597700</b>	TC-DEL (G24q-3) 2x26W 	0,90kg												


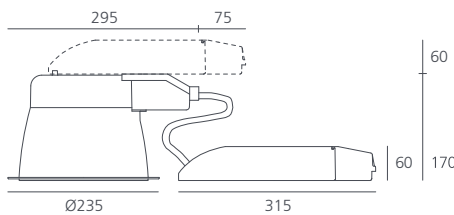










accessories see page 174.  
photometric data: see page 426.

## LUCERI SYSTEM 220 SCREEN WITH EMERGENCY (AUTONOMY 1h) - OPTICS

								
								
TC-DEL (G24q-3) 	<table border="1"> <thead> <tr> <th>CODE</th> <th>LIGHT SOURCE</th> <th>WEIGHT</th> </tr> </thead> <tbody> <tr> <td><b>L597900</b></td> <td>TC-DEL (G24q-3) 2x26W + emergency 1h</td> <td>1,60kg</td> </tr> </tbody> </table>	CODE	LIGHT SOURCE	WEIGHT	<b>L597900</b>	TC-DEL (G24q-3) 2x26W + emergency 1h	1,60kg	
CODE	LIGHT SOURCE	WEIGHT						
<b>L597900</b>	TC-DEL (G24q-3) 2x26W + emergency 1h	1,60kg						

accessories see page 174.  
photometric data: see page 426.

## LUCERI SYSTEM 220 SCREEN DIMMABLE - OPTICS

														
														
TC-DEL (G24q-2/3)  TC-TEL (GR14q-1) 	<table border="1"> <thead> <tr> <th>CODE</th> <th>LIGHT SOURCE</th> <th>WEIGHT</th> </tr> </thead> <tbody> <tr> <td><b>L594601</b></td> <td>TC-TEL (GR14q-1) 2x17W dimmable DALI</td> <td>1,40kg</td> </tr> <tr> <td><b>L594700</b></td> <td>TC-DEL (G24q-2) 2x18W dimmable DSI </td> <td>1,40kg</td> </tr> <tr> <td><b>L594800</b></td> <td>TC-DEL (G24q-3) 2x26W dimmable DSI </td> <td>1,40kg</td> </tr> </tbody> </table>	CODE	LIGHT SOURCE	WEIGHT	<b>L594601</b>	TC-TEL (GR14q-1) 2x17W dimmable DALI	1,40kg	<b>L594700</b>	TC-DEL (G24q-2) 2x18W dimmable DSI 	1,40kg	<b>L594800</b>	TC-DEL (G24q-3) 2x26W dimmable DSI 	1,40kg	
CODE	LIGHT SOURCE	WEIGHT												
<b>L594601</b>	TC-TEL (GR14q-1) 2x17W dimmable DALI	1,40kg												
<b>L594700</b>	TC-DEL (G24q-2) 2x18W dimmable DSI 	1,40kg												
<b>L594800</b>	TC-DEL (G24q-3) 2x26W dimmable DSI 	1,40kg												


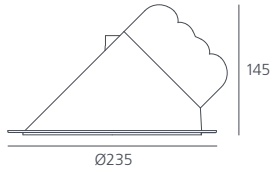
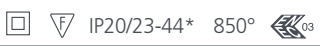

accessories see page 174.  
photometric data: see page 426.

\*IP20= recessed part.  
IP23 or IP44= external part depending on the accessory used.





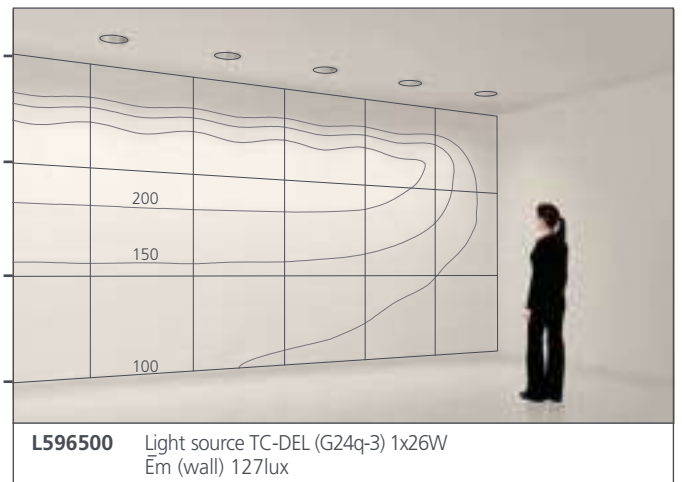
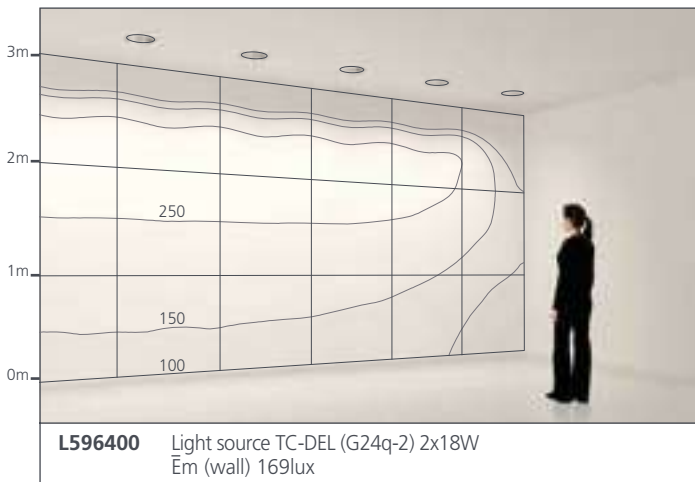
# LUCERI SYSTEM 220 WALL WASHER OPTICS

															
				<b>TC-DEL (G24q-1/2/3)</b>											
<table border="1"> <thead> <tr> <th>CODE</th> <th>LIGHT SOURCE</th> <th>WEIGHT</th> </tr> </thead> <tbody> <tr> <td><b>L596300</b></td> <td>TC-DEL (G24q-1) 2x13W</td> <td>1,30kg</td> </tr> <tr> <td><b>L596400</b></td> <td>TC-DEL (G24q-2) 2x18W</td> <td>1,30kg</td> </tr> <tr> <td><b>L596500</b></td> <td>TC-DEL (G24q-3) 1x26W</td> <td>1,20kg</td> </tr> </tbody> </table>	CODE	LIGHT SOURCE	WEIGHT	<b>L596300</b>	TC-DEL (G24q-1) 2x13W	1,30kg	<b>L596400</b>	TC-DEL (G24q-2) 2x18W	1,30kg	<b>L596500</b>	TC-DEL (G24q-3) 1x26W	1,20kg			
CODE	LIGHT SOURCE	WEIGHT													
<b>L596300</b>	TC-DEL (G24q-1) 2x13W	1,30kg													
<b>L596400</b>	TC-DEL (G24q-2) 2x18W	1,30kg													
<b>L596500</b>	TC-DEL (G24q-3) 1x26W	1,20kg													

photometric data: see page 426.





# LUCERI SYSTEM 220 WALL WASHER ISOLUX

Calculation parameters for issuing isolux curve diagrams: Length x height 10,00x3,00m. Distance from wall to illuminate 1,00m. Distance from side wall 1,00m. Distance between luminaires 1,00m. Reflectance factors ceiling/walls/floor 70/50/20%. Maintenance factor 0,90WF.




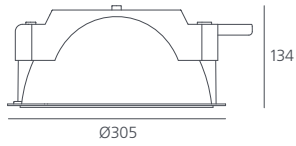








# LUCERI SYSTEM 220 ACCESSORIES

	<p>Die-cast aluminium front.</p> <p><b>L597520</b> White. <b>L597540</b> Grey. <b>L597570</b> Nickel matt. <b>L597590</b> Chrome.</p> <p>For IP23 850°</p>
	<p>Plastic front.</p> <p><b>L599620</b> White. <b>L599640</b> Grey.</p> <p>For IP23 650°</p>
	<p><b>L599900</b> Anti-dazzle cross-blade louvre (use with LUCERI 220 flat series, only in combination with the front models L5975.0 and L5996.0).</p> <p>For IP23</p>
	<p><b>L599120</b> Plastic front with Prismatic diffuser. White.</p> <p>For IP44 650°</p>
	<p><b>L621101</b> Mounting box for recess in concrete ceilings.</p>

	<p>Plastic front with transparent glass.</p> <p><b>L599820</b> White. <b>L599840</b> Grey.</p> <p>For IP44 650°</p>
	<p>Plastic front with silkscreen printed glass.</p> <p><b>L599720</b> White. <b>L599740</b> Grey.</p> <p>For IP44 650°</p>
	<p><b>L597220</b> Die-cast aluminium front with lenticular thermoplastic screen. White.</p> <p>For IP44 850°</p>
	<p>Die-cast aluminium front with decorative frosted glass.</p> <p><b>L597320</b> White. <b>L597390</b> Chrome.</p> <p>For IP44 850°</p>



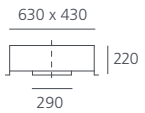
\*IP20= recessed part.  
IP23 or IP44= external part depending on the accessory used.

## LUCERI SYSTEM 290 OPTICS

		 Ø290	
			  IP20/23 850°
TC-TEL (GX24q-3/4) 	<b>CODE</b> <b>LIGHT SOURCE</b> <b>WEIGHT</b>		
	<b>L598100</b>	TC-TEL (GX24q-3) 2x32W non dimmable	 2,00kg
	<b>L598700</b>	TC-TEL (GX24q-3) 2x32W non dimmable + emergency 1h	2,80kg
	<b>L598400</b>	TC-TEL (GX24q-3) 2x32W dimmable DSI	 2,00kg
	<b>L598200</b>	TC-TEL (GX24q-4) 2x42W non dimmable	 2,00kg
	<b>L598800</b>	TC-TEL (GX24q-4) 2x42W non dimmable + emergency 1h	2,80kg
	<b>L598500</b>	TC-TEL (GX24q-4) 2x42W dimmable DSI	 2,00kg

photometric data: see page 426.


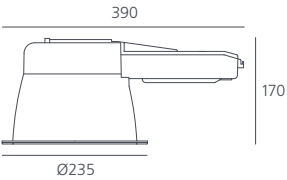





## LUCERI SYSTEM 290 ACCESSORIES

	Die-cast aluminium front. <b>L599520</b> White. <b>L599540</b> Grey. <b>L599570</b> Nickel matt. <b>L599590</b> Chrome.		Die-cast aluminium front with decorative frosted glass. <b>L599320</b> White. <b>L599390</b> Chrome. For IP23 850°
	For IP23 850°		



AUTOCREMONA, CREMONA (I), GRAZIANO FACCHINI.

# LUCERI 220 SCREEN QUICK REFERENCE


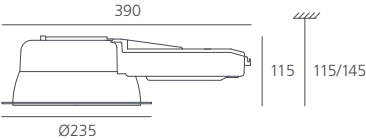






		  	 Ø220																																				
				TC-DEL (G24q-2/3) 																																			
	<table border="1"> <thead> <tr> <th>CODE</th> <th>LIGHT SOURCE</th> <th>COLOUR</th> <th>WEIGHT</th> </tr> </thead> <tbody> <tr> <td><b>L597610</b></td> <td>TC-DEL (G24q-2) 2x18W</td> <td>white</td> <td>0,90kg</td> </tr> <tr> <td><b>L597810</b></td> <td>TC-DEL (G24q-2) 2x18W + emergency 1h</td> <td>white</td> <td>1,60kg</td> </tr> <tr> <td><b>L597620</b></td> <td>TC-DEL (G24q-2) 2x18W</td> <td>grey</td> <td>0,90kg</td> </tr> <tr> <td><b>L597820</b></td> <td>TC-DEL (G24q-2) 2x18W + emergency 1h</td> <td>grey</td> <td>1,60kg</td> </tr> <tr> <td><b>L597710</b></td> <td>TC-DEL (G24q-3) 2x26W</td> <td>white</td> <td>0,90kg</td> </tr> <tr> <td><b>L597910</b></td> <td>TC-DEL (G24q-3) 2x26W + emergency 1h</td> <td>white</td> <td>1,60kg</td> </tr> <tr> <td><b>L597720</b></td> <td>TC-DEL (G24q-3) 2x26W</td> <td>grey</td> <td>0,90kg</td> </tr> <tr> <td><b>L597920</b></td> <td>TC-DEL (G24q-3) 2x26W + emergency 1h</td> <td>grey</td> <td>1,60kg</td> </tr> </tbody> </table>	CODE	LIGHT SOURCE	COLOUR	WEIGHT	<b>L597610</b>	TC-DEL (G24q-2) 2x18W	white	0,90kg	<b>L597810</b>	TC-DEL (G24q-2) 2x18W + emergency 1h	white	1,60kg	<b>L597620</b>	TC-DEL (G24q-2) 2x18W	grey	0,90kg	<b>L597820</b>	TC-DEL (G24q-2) 2x18W + emergency 1h	grey	1,60kg	<b>L597710</b>	TC-DEL (G24q-3) 2x26W	white	0,90kg	<b>L597910</b>	TC-DEL (G24q-3) 2x26W + emergency 1h	white	1,60kg	<b>L597720</b>	TC-DEL (G24q-3) 2x26W	grey	0,90kg	<b>L597920</b>	TC-DEL (G24q-3) 2x26W + emergency 1h	grey	1,60kg		
CODE	LIGHT SOURCE	COLOUR	WEIGHT																																				
<b>L597610</b>	TC-DEL (G24q-2) 2x18W	white	0,90kg																																				
<b>L597810</b>	TC-DEL (G24q-2) 2x18W + emergency 1h	white	1,60kg																																				
<b>L597620</b>	TC-DEL (G24q-2) 2x18W	grey	0,90kg																																				
<b>L597820</b>	TC-DEL (G24q-2) 2x18W + emergency 1h	grey	1,60kg																																				
<b>L597710</b>	TC-DEL (G24q-3) 2x26W	white	0,90kg																																				
<b>L597910</b>	TC-DEL (G24q-3) 2x26W + emergency 1h	white	1,60kg																																				
<b>L597720</b>	TC-DEL (G24q-3) 2x26W	grey	0,90kg																																				
<b>L597920</b>	TC-DEL (G24q-3) 2x26W + emergency 1h	grey	1,60kg																																				
Comes complete with open plastic front.																																							

photometric data: see page 427.


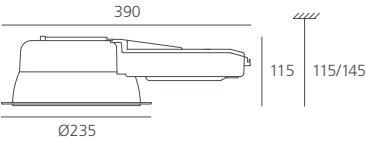








CONDE NAST, MILAN (I), PROGETTO CMR.

## LUCERI 220 FLAT QUICK REFERENCE

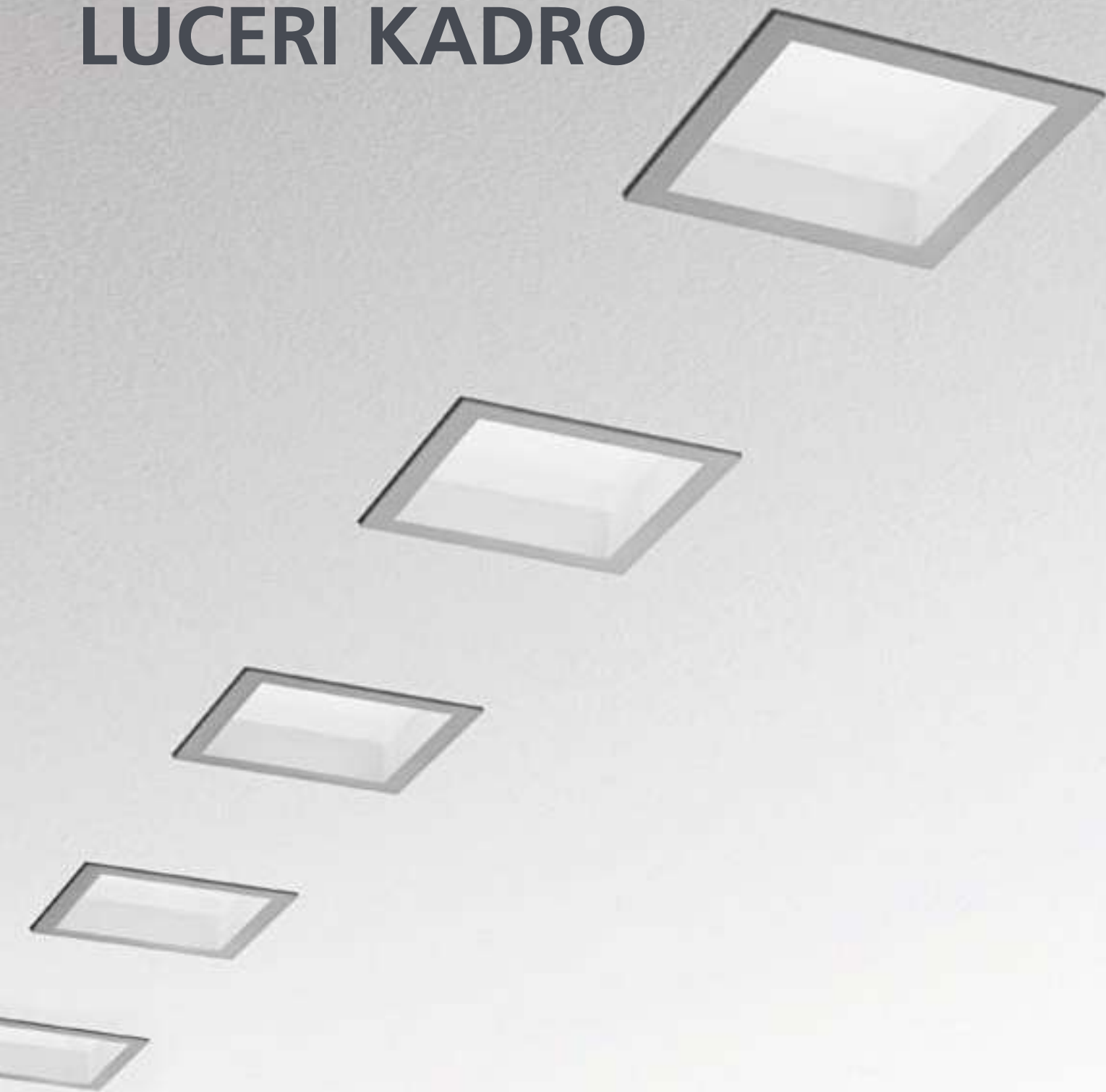
		   																																				
				<p>TC-DEL (G24q-2/3) </p>																																		
	<table border="1"> <thead> <tr> <th>CODE</th> <th>LIGHT SOURCE</th> <th>COLOUR</th> <th>WEIGHT</th> </tr> </thead> <tbody> <tr> <td><b>L596610</b></td> <td>TC-DEL (G24q-2) 2x18W</td> <td>white</td> <td>1,00kg</td> </tr> <tr> <td><b>L596810</b></td> <td>TC-DEL (G24q-2) 2x18W + emergency 1h</td> <td>white</td> <td>1,70kg</td> </tr> <tr> <td><b>L596620</b></td> <td>TC-DEL (G24q-2) 2x18W</td> <td>grey</td> <td>1,00kg</td> </tr> <tr> <td><b>L596820</b></td> <td>TC-DEL (G24q-2) 2x18W + emergency 1h</td> <td>grey</td> <td>1,70kg</td> </tr> <tr> <td><b>L596710</b></td> <td>TC-DEL (G24q-3) 2x26W</td> <td>white</td> <td>1,00kg</td> </tr> <tr> <td><b>L596910</b></td> <td>TC-DEL (G24q-3) 2x26W + emergency 1h</td> <td>white</td> <td>1,70kg</td> </tr> <tr> <td><b>L596720</b></td> <td>TC-DEL (G24q-3) 2x26W</td> <td>grey</td> <td>1,00kg</td> </tr> <tr> <td><b>L596920</b></td> <td>TC-DEL (G24q-3) 2x26W + emergency 1h</td> <td>grey</td> <td>1,70kg</td> </tr> </tbody> </table>	CODE	LIGHT SOURCE	COLOUR	WEIGHT	<b>L596610</b>	TC-DEL (G24q-2) 2x18W	white	1,00kg	<b>L596810</b>	TC-DEL (G24q-2) 2x18W + emergency 1h	white	1,70kg	<b>L596620</b>	TC-DEL (G24q-2) 2x18W	grey	1,00kg	<b>L596820</b>	TC-DEL (G24q-2) 2x18W + emergency 1h	grey	1,70kg	<b>L596710</b>	TC-DEL (G24q-3) 2x26W	white	1,00kg	<b>L596910</b>	TC-DEL (G24q-3) 2x26W + emergency 1h	white	1,70kg	<b>L596720</b>	TC-DEL (G24q-3) 2x26W	grey	1,00kg	<b>L596920</b>	TC-DEL (G24q-3) 2x26W + emergency 1h	grey	1,70kg	
CODE	LIGHT SOURCE	COLOUR	WEIGHT																																			
<b>L596610</b>	TC-DEL (G24q-2) 2x18W	white	1,00kg																																			
<b>L596810</b>	TC-DEL (G24q-2) 2x18W + emergency 1h	white	1,70kg																																			
<b>L596620</b>	TC-DEL (G24q-2) 2x18W	grey	1,00kg																																			
<b>L596820</b>	TC-DEL (G24q-2) 2x18W + emergency 1h	grey	1,70kg																																			
<b>L596710</b>	TC-DEL (G24q-3) 2x26W	white	1,00kg																																			
<b>L596910</b>	TC-DEL (G24q-3) 2x26W + emergency 1h	white	1,70kg																																			
<b>L596720</b>	TC-DEL (G24q-3) 2x26W	grey	1,00kg																																			
<b>L596920</b>	TC-DEL (G24q-3) 2x26W + emergency 1h	grey	1,70kg																																			
Comes complete with plastic front with silkscreen printed glass.																																						

photometric data: see page 426.

		   																																				
				<p>TC-DEL (G24q-2/3) </p>																																		
	<table border="1"> <thead> <tr> <th>CODE</th> <th>LIGHT SOURCE</th> <th>COLOUR</th> <th>WEIGHT</th> </tr> </thead> <tbody> <tr> <td><b>L596650</b></td> <td>TC-DEL (G24q-2) 2x18W</td> <td>white</td> <td>1,00kg</td> </tr> <tr> <td><b>L596850</b></td> <td>TC-DEL (G24q-2) 2x18W + emergency 1h</td> <td>white</td> <td>1,70kg</td> </tr> <tr> <td><b>L596660</b></td> <td>TC-DEL (G24q-2) 2x18W</td> <td>grey</td> <td>1,00kg</td> </tr> <tr> <td><b>L596860</b></td> <td>TC-DEL (G24q-2) 2x18W + emergency 1h</td> <td>grey</td> <td>1,70kg</td> </tr> <tr> <td><b>L596750</b></td> <td>TC-DEL (G24q-3) 2x26W</td> <td>white</td> <td>1,00kg</td> </tr> <tr> <td><b>L596950</b></td> <td>TC-DEL (G24q-3) 2x26W + emergency 1h</td> <td>white</td> <td>1,70kg</td> </tr> <tr> <td><b>L596760</b></td> <td>TC-DEL (G24q-3) 2x26W</td> <td>grey</td> <td>1,00kg</td> </tr> <tr> <td><b>L596960</b></td> <td>TC-DEL (G24q-3) 2x26W + emergency 1h</td> <td>grey</td> <td>1,70kg</td> </tr> </tbody> </table>	CODE	LIGHT SOURCE	COLOUR	WEIGHT	<b>L596650</b>	TC-DEL (G24q-2) 2x18W	white	1,00kg	<b>L596850</b>	TC-DEL (G24q-2) 2x18W + emergency 1h	white	1,70kg	<b>L596660</b>	TC-DEL (G24q-2) 2x18W	grey	1,00kg	<b>L596860</b>	TC-DEL (G24q-2) 2x18W + emergency 1h	grey	1,70kg	<b>L596750</b>	TC-DEL (G24q-3) 2x26W	white	1,00kg	<b>L596950</b>	TC-DEL (G24q-3) 2x26W + emergency 1h	white	1,70kg	<b>L596760</b>	TC-DEL (G24q-3) 2x26W	grey	1,00kg	<b>L596960</b>	TC-DEL (G24q-3) 2x26W + emergency 1h	grey	1,70kg	
CODE	LIGHT SOURCE	COLOUR	WEIGHT																																			
<b>L596650</b>	TC-DEL (G24q-2) 2x18W	white	1,00kg																																			
<b>L596850</b>	TC-DEL (G24q-2) 2x18W + emergency 1h	white	1,70kg																																			
<b>L596660</b>	TC-DEL (G24q-2) 2x18W	grey	1,00kg																																			
<b>L596860</b>	TC-DEL (G24q-2) 2x18W + emergency 1h	grey	1,70kg																																			
<b>L596750</b>	TC-DEL (G24q-3) 2x26W	white	1,00kg																																			
<b>L596950</b>	TC-DEL (G24q-3) 2x26W + emergency 1h	white	1,70kg																																			
<b>L596760</b>	TC-DEL (G24q-3) 2x26W	grey	1,00kg																																			
<b>L596960</b>	TC-DEL (G24q-3) 2x26W + emergency 1h	grey	1,70kg																																			
Comes complete with plastic front and anti-dazzle cross-blade.																																						


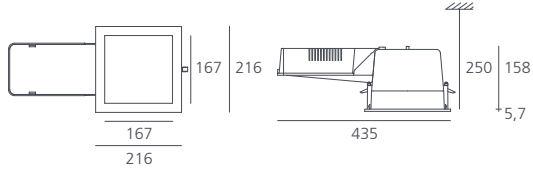



photometric data: see page 426.

# LUCERI KADRO




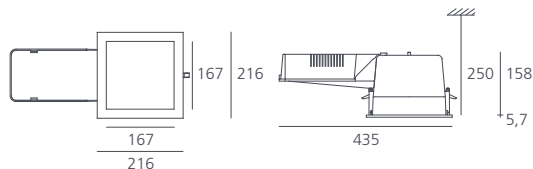



- RECESSED LUMINAIRE USING 2x14/17W AND 2x26W COMPACT FLUORESCENT LAMPS.
- 2 DIFFUSED LIGHTING OPTIONS: WITH OPALINE POLYCARBONATE OR PRISMOPTIC DIFFUSER.
- BODY MADE OF POLYCARBONATE.
- LAMPS CAN BE MAINTAINED WITHOUT THE NEED FOR TOOLS.
- ELECTRONIC CONTROL GEAR OR DALI-SWITCHDIM DIMMABLE ELECTRONIC CONTROL GEAR.
- COMPLIES WITH STANDARD EN60598-1 AND OTHER SPECIFIC STANDARDS.

## LUCERI KADRO DIFFUSER

			 204x186														
	□ ▽ IP20/34* 850° ○ white																
TC-DEL (G24q-3)  TC-TEL (GR14q-1) 	<table border="1"> <thead> <tr> <th>CODE</th> <th>LIGHT SOURCE</th> <th>WEIGHT</th> </tr> </thead> <tbody> <tr> <td><b>M025320</b></td> <td>TC-DEL (G24q-3) 2x26W non dimmable</td> <td>1,40kg</td> </tr> <tr> <td><b>M025420</b></td> <td>TC-TEL (GR14q-1) 2x14W/17W non dimmable</td> <td>1,40kg</td> </tr> <tr> <td><b>M025321</b></td> <td>TC-DEL (G24q-3) 2x26W dimmable DALI</td> <td>1,40kg</td> </tr> <tr> <td><b>M025421</b></td> <td>TC-TEL (GR14q-1) 2x17W dimmable DALI</td> <td>1,40kg</td> </tr> </tbody> </table>	CODE	LIGHT SOURCE	WEIGHT	<b>M025320</b>	TC-DEL (G24q-3) 2x26W non dimmable	1,40kg	<b>M025420</b>	TC-TEL (GR14q-1) 2x14W/17W non dimmable	1,40kg	<b>M025321</b>	TC-DEL (G24q-3) 2x26W dimmable DALI	1,40kg	<b>M025421</b>	TC-TEL (GR14q-1) 2x17W dimmable DALI	1,40kg	
CODE	LIGHT SOURCE	WEIGHT															
<b>M025320</b>	TC-DEL (G24q-3) 2x26W non dimmable	1,40kg															
<b>M025420</b>	TC-TEL (GR14q-1) 2x14W/17W non dimmable	1,40kg															
<b>M025321</b>	TC-DEL (G24q-3) 2x26W dimmable DALI	1,40kg															
<b>M025421</b>	TC-TEL (GR14q-1) 2x17W dimmable DALI	1,40kg															

photometric data: see page 427.

## LUCERI KADRO PRISMOPTIC

			 204x186														
	□ ▽ IP20/34* 850° ○ white																
TC-DEL (G24q-3)  TC-TEL (GR14q-1) 	<table border="1"> <thead> <tr> <th>CODE</th> <th>LIGHT SOURCE</th> <th>WEIGHT</th> </tr> </thead> <tbody> <tr> <td><b>M025520</b></td> <td>TC-DEL (G24q-3) 2x26W non dimmable</td> <td>1,40kg</td> </tr> <tr> <td><b>M025620</b></td> <td>TC-TEL (GR14q-1) 2x14W/17W non dimmable</td> <td>1,40kg</td> </tr> <tr> <td><b>M025521</b></td> <td>TC-DEL (G24q-3) 2x26W dimmable DALI</td> <td>1,40kg</td> </tr> <tr> <td><b>M025621</b></td> <td>TC-TEL (GR14q-1) 2x17W dimmable DALI</td> <td>1,40kg</td> </tr> </tbody> </table>	CODE	LIGHT SOURCE	WEIGHT	<b>M025520</b>	TC-DEL (G24q-3) 2x26W non dimmable	1,40kg	<b>M025620</b>	TC-TEL (GR14q-1) 2x14W/17W non dimmable	1,40kg	<b>M025521</b>	TC-DEL (G24q-3) 2x26W dimmable DALI	1,40kg	<b>M025621</b>	TC-TEL (GR14q-1) 2x17W dimmable DALI	1,40kg	
CODE	LIGHT SOURCE	WEIGHT															
<b>M025520</b>	TC-DEL (G24q-3) 2x26W non dimmable	1,40kg															
<b>M025620</b>	TC-TEL (GR14q-1) 2x14W/17W non dimmable	1,40kg															
<b>M025521</b>	TC-DEL (G24q-3) 2x26W dimmable DALI	1,40kg															
<b>M025621</b>	TC-TEL (GR14q-1) 2x17W dimmable DALI	1,40kg															

photometric data: see page 427.

## LUCERI KADRO ACCESSORIES

INTERACTIVE-DALI TECHNOLOGY	INTERACTIVE-DALI components: see page 409.
--------------------------------	---

IP20\*= recessed part / IP34= external part.

# SOLAR

design ERIC SOLÉ



- RECESSED LUMINAIRE WITH SOFT LIGHT EMISSION, FOR 1x55W TC-DDEL FLUORESCENT LAMP.
- STEEL BODY WITH WHITE PAINT FINISH.
- INTERNAL REFLECTOR IN METALLIZED THERMOPLASTIC.
- FOR INSTALLATION INTO FALSE CEILING SYSTEMS WITH 600x600MM AND 625x625MM MODULES, SUPPORTED BY THE STRUCTURE ITSELF OR BY MEANS OF AN OPTIONAL SUSPENSION KIT, OR INTO PLASTERBOARD FALSE CEILINGS USING A SPECIAL RECESS FRAME (TO BE ORDERED SEPARATELY).
- ELECTRICAL CONNECTION MADE VIA QUICK CONNECTORS.
- LAMPS CAN BE MAINTAINED WITHOUT THE NEED FOR TOOLS.
- LIGHT OUTPUT RATIO: 54%.
- ELECTRONIC OR DALI-SWITCHDIM DIMMABLE ELECTRONIC BALLAST. OPTIONAL EMERGENCY LIGHTING.
- COMPLIES WITH STANDARD EN60598-1 AND OTHER SPECIFIC STANDARDS.



# SOLAR INSTALLATION

		<p>When incorporated into a modular false ceiling structure, SOLAR is installed in the traditional manner.</p>
--	--	--

		<p>When surface mounted, SOLAR is installed by means of a suspension kit (M080403), that holds the fitting in place against the false ceiling.</p>
--	--	--


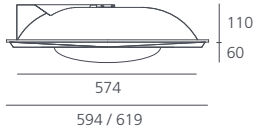


		<p>SOLAR is equipped with an adjustable bracket system to centre the luminaire, and is suitable for nearly all ceiling types.</p>
--	--	---

		<p>Recessed into plasterboard false ceilings, SOLAR is installed by means of an optional recess frame (M160600/M160602).</p>
--	--	--




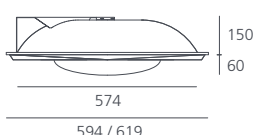


ABOVE: FTF-INTERIOR SHOWROOM, MOSCOW (RU).  
 PAGE 181: HQ'S MASERATI MODENA (I), STUDIO STURCHIO ARCHITECTS & DESIGNERS.

## SOLAR II

																			
		TC-DDELI (GR10q3) 	<table border="1"> <thead> <tr> <th>CODE</th> <th>LIGHT SOURCE</th> <th>FALSE CEILING</th> <th>WEIGHT</th> </tr> </thead> <tbody> <tr> <td><b>M035500</b></td> <td>TC-DDELI (GR10q3) 1x55W non dimmable</td> <td>600x600mm</td> <td>5,60kg</td> </tr> <tr> <td><b>M035507</b></td> <td>TC-DDELI (GR10q3) 1x55W non dimmable + emergency 1h</td> <td>600x600mm</td> <td>6,20kg</td> </tr> <tr> <td><b>M035700</b></td> <td>TC-DDELI (GR10q3) 1x55W non dimmable</td> <td>625x625mm</td> <td>5,70kg</td> </tr> </tbody> </table>	CODE	LIGHT SOURCE	FALSE CEILING	WEIGHT	<b>M035500</b>	TC-DDELI (GR10q3) 1x55W non dimmable	600x600mm	5,60kg	<b>M035507</b>	TC-DDELI (GR10q3) 1x55W non dimmable + emergency 1h	600x600mm	6,20kg	<b>M035700</b>	TC-DDELI (GR10q3) 1x55W non dimmable	625x625mm	5,70kg
CODE	LIGHT SOURCE	FALSE CEILING	WEIGHT																
<b>M035500</b>	TC-DDELI (GR10q3) 1x55W non dimmable	600x600mm	5,60kg																
<b>M035507</b>	TC-DDELI (GR10q3) 1x55W non dimmable + emergency 1h	600x600mm	6,20kg																
<b>M035700</b>	TC-DDELI (GR10q3) 1x55W non dimmable	625x625mm	5,70kg																





photometric data: see page 427.

## SOLAR II DIMMABLE

															
		TC-DDELI (GR10q3) 	<table border="1"> <thead> <tr> <th>CODE</th> <th>LIGHT SOURCE</th> <th>FALSE CEILING</th> <th>WEIGHT</th> </tr> </thead> <tbody> <tr> <td><b>M036100</b></td> <td>TC-DDELI (GR10q3) 1x55W dimmable DALI</td> <td>600x600mm</td> <td>5,60kg</td> </tr> <tr> <td><b>M033400</b></td> <td>TC-DDELI (GR10q3) 1x55W dimmable DALI</td> <td>625x625mm</td> <td>5,70kg</td> </tr> </tbody> </table>	CODE	LIGHT SOURCE	FALSE CEILING	WEIGHT	<b>M036100</b>	TC-DDELI (GR10q3) 1x55W dimmable DALI	600x600mm	5,60kg	<b>M033400</b>	TC-DDELI (GR10q3) 1x55W dimmable DALI	625x625mm	5,70kg
CODE	LIGHT SOURCE	FALSE CEILING	WEIGHT												
<b>M036100</b>	TC-DDELI (GR10q3) 1x55W dimmable DALI	600x600mm	5,60kg												
<b>M033400</b>	TC-DDELI (GR10q3) 1x55W dimmable DALI	625x625mm	5,70kg												

photometric data: see page 427.

## SOLAR II ACCESSORIES


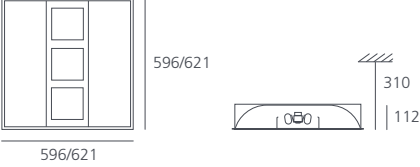

	<b>M080403</b> Suspension kit.
	Recess frame for installation into plaster false ceiling. <b>M160600</b> 600x600mm.  606x606mm. 0,90kg. <b>M160602</b> 625x625mm.  633x633mm. 0,94kg.
<b>INTERACTIVE-DALI TECHNOLOGY</b>	<b>INTERACTIVE-DALI</b> components: see page 409.

# BOLERO



- RECESSED LUMINAIRE USING 2x55W TC-LEL FLUORESCENT LAMPS.
- MAIN REFLECTOR IN STEEL WITH A WHITE PAINT FINISH.
- POLISHED ALUMINIUM SCREEN EQUIPPED WITH A PRISMOPTIC POLYCARBONATE DIFFUSER.
- FOR INSTALLATION INTO FALSE CEILING SYSTEMS WITH 600x600MM AND 625x625MM MODULES, OR INTO PLASTERBOARD FALSE CEILINGS USING A SPECIAL RECESSING FRAME (OPTIONAL).
- LAMPS CAN BE MAINTAINED WITHOUT THE NEED FOR TOOLS.
- ELECTRONIC OR DALI-SWITCHDIM DIMMABLE ELECTRONIC BALLAST. OPTIONAL EMERGENCY LIGHTING.
- COMPLIES WITH STANDARD EN60598-1 AND OTHER SPECIFIC STANDARDS.

# BOLERO

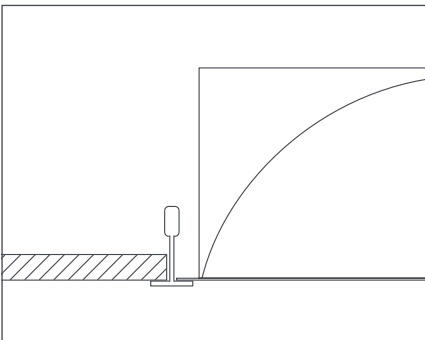
				
	Ⓧ IP20 850° ○ white			
TC-LEL (2G11) 	<b>CODE</b>	<b>LIGHT SOURCE</b>	<b>FALSE CEILING</b>	<b>WEIGHT</b>
	<b>M162400</b>	TC-LEL (2G11) 2x55W non dimmable	600x600mm	6,90kg
	<b>M162401</b>	TC-LEL (2G11) 2x55W dimmable DALI	600x600mm	6,90kg
	<b>M162407</b>	TC-LEL (2G11) 2x55W non dimmable + emergency 1h	600x600mm	7,50kg
	<b>M162402</b>	TC-LEL (2G11) 2x55W non dimmable	625x625mm	7,30kg
	<b>M162421</b>	TC-LEL (2G11) 2x55W dimmable DALI	625x625mm	7,30kg

photometric data: see page 424.

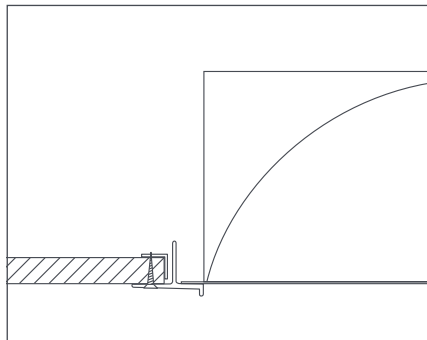
## BOLERO ACCESSORIES

	Recess frame for installation into plaster false ceiling.	<b>INTERACTIVE-DALI TECHNOLOGY</b>	<b>INTERACTIVE-DALI components:</b> see page 409.
	<b>M160600</b> 600x600mm.  606x606mm. 0,90kg <b>M160602</b> 625x625mm.  633x633mm. 0,94kg		

## BOLERO INSTALLATION



INSTALLATION WITH LUMINAIRE INCORPORATED INTO THE 600/625 MODULAR CEILING STRUCTURE.



INSTALLATION INTO PLASTER CEILING WITH OPTIONAL RECESS FRAME (M160600 OR M160602).




# ALTOP

design ERNESTO GISMONDI






- RECESSED LUMINAIRES USING FLUORESCENT 2x36W AND 2x55W TC-LEL FLUORESCENT LAMPS.
- STEEL BODY WITH WHITE PAINT FINISH. OTHER COLOURS ON REQUEST.
- 2 VERSIONS AVAILABLE: DIFFUSED LIGHTING WITH SANDED GLASS DIFFUSER, AND SOFT LIGHT VERSION WITH OPTIONAL TRANSPARENT POLYCARBONATE DUST-PROTECTION SCREEN.
- SUITABLE FOR INSTALLATION INTO FALSE CEILING SYSTEMS WITH EITHER 600x600MM OR 625x625MM MODULES, (THE LUMINAIRES CAN BE SUPPORTED BY THE STRUCTURE ITSELF OR BY MEANS OF OPTIONAL FIXING BRACKETS), OR INTO PLASTERBOARD FALSE CEILINGS USING A SPECIAL RECESSING FRAME (TO BE ORDERED SEPARATELY).
- LAMPS CAN BE MAINTAINED WITHOUT THE NEED FOR TOOLS.
- INTEGRAL ELECTRONIC BALLAST OR DALI-SWITCHDIM DIMMABLE BALLAST, AND EMERGENCY LIGHTING.
- COMPLIES WITH STANDARD EN60598-1 AND OTHER SPECIFIC STANDARDS.

## ALTOP SOFT LIGHT

				
	Ⓧ IP20 850° ○ white			
TC-LEL (2G11) 	<b>CODE</b>	<b>LIGHT SOURCE</b>	<b>FALSE CEILING</b>	<b>WEIGHT</b>
	<b>M163320</b>	TC-LEL (2G11) 2x55W non dimmable	600x600mm	7,90kg
	<b>M163321</b>	TC-LEL (2G11) 2x55W dimmable DALI	600x600mm	7,90kg
	<b>M163327</b>	TC-LEL (2G11) 2x55W non dimmable + emergency 1h	600x600mm	8,50kg
	<b>M163322</b>	TC-LEL (2G11) 2x55W non dimmable	625x625mm	8,30kg
	<b>M163324</b>	TC-LEL (2G11) 2x55W dimmable DALI	625x625mm	8,30kg
Optional polycarbonate screen (M163400: see below).				






photometric data: see page 424.

## ALTOP DIFFUSER

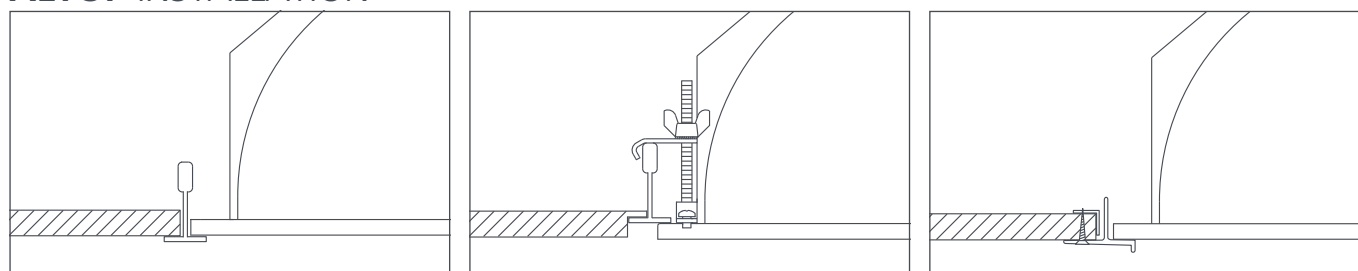
				
	Ⓧ IP20 960° ○ white			
TC-LEL (2G11) 	<b>CODE</b>	<b>LIGHT SOURCE</b>	<b>FALSE CEILING</b>	<b>WEIGHT</b>
	<b>M163120</b>	TC-LEL (2G11) 2x36W non dimmable	600x600mm	8,30kg
	<b>M163127</b>	TC-LEL (2G11) 2x36W non dimmable + emergency 1h	600x600mm	9,25kg
	<b>M163122</b>	TC-LEL (2G11) 2x36W non dimmable	625x625mm	8,65kg

photometric data: see page 424.

## ALTOP ACCESSORIES

	<b>M163520</b> Fixing brackets (set of 4). Suitable whenever access to false ceiling is possible from above.		<b>M163400</b> Polycarbonate transparent screen (for Aلتop SOFT LIGHT).
	Recess frame for installation into plaster false ceiling. <b>M160600</b> 600x600mm.  606x606mm. 0,90kg. <b>M160602</b> 625x625mm.  633x633mm. 0,94kg.	INTERACTIVE-DALI TECHNOLOGY	INTERACTIVE-DALI components: see page 409.

## ALTOP INSTALLATION



INSTALLATION INTO FALSE CEILING SYSTEMS WITH 600x600MM OR 625x625MM MODULES: LUMINAIRE SUPPORTED BY THE STRUCTURE ITSELF.

INSTALLATION INTO FALSE CEILING SYSTEMS WITH 600x600MM OR 625x625MM MODULES BY MEANS OF FIXING BRACKETS (M163520 OPTIONAL).

INSTALLATION INTO PLASTERBOARD FALSE CEILING USING A SPECIAL RECESS FRAME (M160600 OR M160602 OPTIONAL).

# CHOCOLATE

design a·g Licht





# CHOCOLATE FLOOR




- FLOOR LAMP WITH DIRECT-INDIRECT LIGHTING USING 4x24W OR 6x24W T16 AND 2x55W TC-LEL LIGHT SOURCE.
- OPTICAL UNIT AND POLE MADE OF PAINTED ALUMINUM.
- PAINTED STEEL BASE.
- 2 COLOURS: MOKA AND WHITE.
- OPTICS MADE OF TRANSPARENT POLYCARBONATE FITTED WITH A PRISMOPTIC TYPE DIFFUSER.
- LIGHT OUTPUT RATIO: 77% (TC-LEL VERSION) AND 67% (T16).
- LIGHT DISTRIBUTION: 32% DIRECT AND 68% INDIRECT (TC-LEL VERSION), 34% DIRECT AND 66% INDIRECT (T16).
- 4 LEVELS OF ELECTRONIC LIGHT MANAGEMENT DEPENDING ON THE VERSION: ELECTRONIC BALLAST WITH POWER SWITCH, DIMMING CONTROL WITH MANUAL LIGHT INTENSITY ADJUSTMENT, SIMPLE MOTION SENSOR WITH AUTOMATIC ON/OFF SWITCHING BASED ON PRESENCE AND LIGHT LEVEL, AND INTERACTIVE-DALI SYSTEM COMBINING A MOVEMENT DETECTOR AND A DAYLIGHT SENSOR FOR AUTO-REGULATION IN RELATION TO PEOPLE PRESENCE AND VARIATIONS IN DAYLIGHT.
- POLYCARBONATE DUST PROTECTION SCREEN TO BE ORDERED SEPARATELY.
- COMPLIES WITH STANDARD EN60598-1 AND OTHER SPECIFIC STANDARDS.

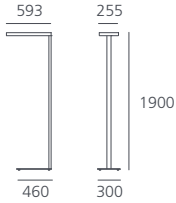






# CHOCOLATE FLOOR T16





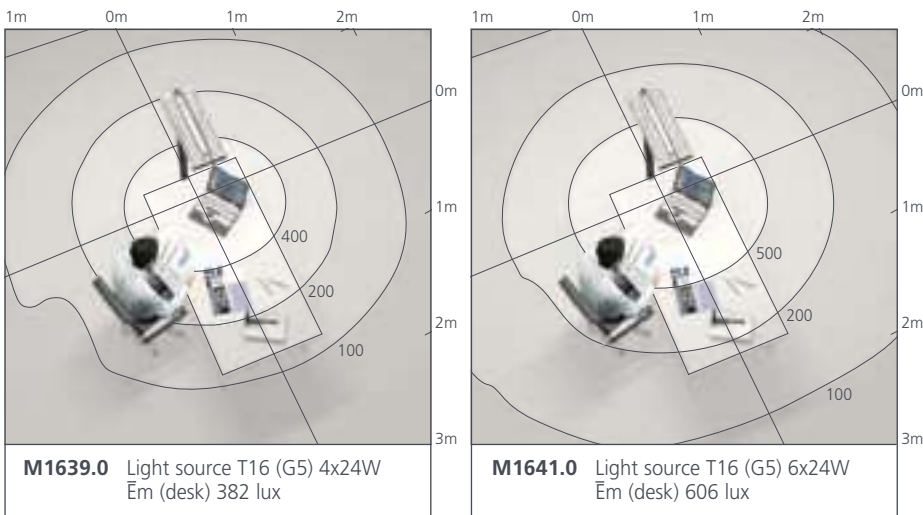
⊕ IP20 ● moka 1 ○ white 2

T16 (G5)	CODE	LIGHT SOURCE	WEIGHT
	<b>M1639.0</b>	T16 (G5) 4x24W non dimmable	13,50kg
	<b>M1639.1</b>	T16 (G5) 4x24W dimmable	13,50kg
	<b>M1639.6</b>	T16 (G5) 4x24W INTERACTIVE-DALI	13,70kg
	<b>M1639.9</b>	T16 (G5) 4x24W movement detector	13,50kg
	<b>M1641.0</b>	T16 (G5) 6x24W non dimmable	13,80kg
	<b>M1641.1</b>	T16 (G5) 6x24W dimmable	13,80kg
	<b>M1641.6</b>	T16 (G5) 6x24W INTERACTIVE-DALI	14,00kg
	<b>M1641.9</b>	T16 (G5) 6x24W movement detector	13,80kg


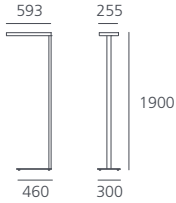


photometric data: see page 430.

# CHOCOLATE FLOOR T16 ISOLUX

Calculation parameters for issuing isolux curve diagrams: **Office with one work station**. Length x width x height 5,00x5,00x2,70m. Reflectance factors ceiling/walls/floor 70/50/20%. Working plan 1,60x0,80x0,75m. Maintenance factor 0,90WF.



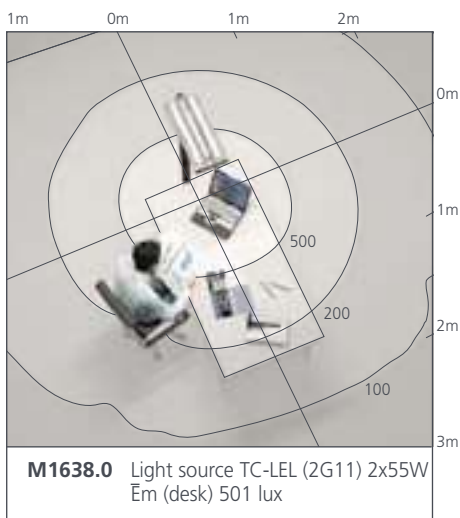
## CHOCOLATE FLOOR TC-LEL

		 <p>CHOCOLATE FLOOR TC-LEL has been certified according to the Swiss top-quality MINERGIE® standard.</p>												
			<p>IP20 ● moka 1 ○ white 2</p>											
<p>TC-LEL (2G11) </p>	<table border="1"> <thead> <tr> <th>CODE</th> <th>LIGHT SOURCE</th> <th>WEIGHT</th> </tr> </thead> <tbody> <tr> <td><b>M1638.0</b></td> <td>TC-LEL (2G11) 2x55W non dimmable</td> <td>13,50kg</td> </tr> <tr> <td><b>M1638.1</b></td> <td>TC-LEL (2G11) 2x55W dimmable</td> <td>13,50kg</td> </tr> <tr> <td><b>M1638.6</b></td> <td>TC-LEL (2G11) 2x55W INTERACTIVE-DALI</td> <td>13,70kg</td> </tr> </tbody> </table>	CODE	LIGHT SOURCE	WEIGHT	<b>M1638.0</b>	TC-LEL (2G11) 2x55W non dimmable	13,50kg	<b>M1638.1</b>	TC-LEL (2G11) 2x55W dimmable	13,50kg	<b>M1638.6</b>	TC-LEL (2G11) 2x55W INTERACTIVE-DALI	13,70kg	
CODE	LIGHT SOURCE	WEIGHT												
<b>M1638.0</b>	TC-LEL (2G11) 2x55W non dimmable	13,50kg												
<b>M1638.1</b>	TC-LEL (2G11) 2x55W dimmable	13,50kg												
<b>M1638.6</b>	TC-LEL (2G11) 2x55W INTERACTIVE-DALI	13,70kg												


photometric data: see page 430.

## CHOCOLATE FLOOR TC-LEL ISOLUX

Calculation parameters for issuing isolux curve diagrams: **Office with one work station**. Length x width x height 5,00x5,00x2,70m. Reflectance factors ceiling/walls/floor 70/50/20%. Working plan 1,60x0,80x0,75m. Maintenance factor 0,90WF.



## CHOCOLATE FLOOR ACCESSORIES


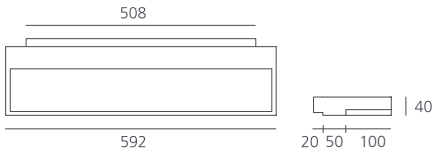

	<p><b>M164200</b> Polycarbonate dust protection screen (set of 2).</p>		<p><b>M104900</b> INTERACTIVE-DALI remote control.</p>
---	--	---	--

# CHOCOLATE WALL



- WALL LAMP WITH DIRECT-INDIRECT LIGHTING USING 2x24W AND 3x24W T16 FLUORESCENT LIGHT SOURCE.
- PAINTED ALUMINUM BODY.
- 2 COLOURS: MOKA AND WHITE.
- OPTICS MADE OF TRANSPARENT POLYCARBONATE FITTED WITH A PRISMOPTIC TYPE DIFFUSER.
- LIGHT DISTRIBUTION: 37% DIRECT AND 63% INDIRECT.
- ELECTRONIC CONTROL GEAR
- POLYCARBONATE DUST PROTECTION SCREEN.
- COMPLIES WITH STANDARD EN60598-1 AND OTHER SPECIFIC STANDARDS.

# CHOCOLATE WALL

			
	<p>⊕ ⏚ IP20 850° ● moka 1 ○ white 2</p>		
<p>T16 (G5)</p> 	<b>CODE</b>	<b>LIGHT SOURCE</b>	<b>WEIGHT</b>
	<b>M1645.0</b>	T16 (G5) 2x24W non dimmable	1,90kg
	<b>M1646.0</b>	T16 (G5) 3x24W non dimmable	1,90kg
	Polycarbonate dust protection screen included.		

photometric data: see page 436.



ABOVE AND PAGE 188-189: CREDIT SUISSE HQ'S, ROME (I), PROGETTO CMR.


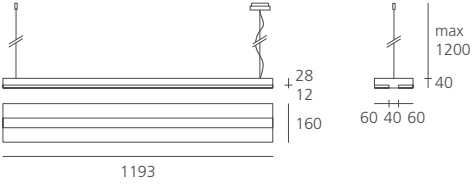

# CHOCOLATE SUSPENSION



- SINGLE PENDANT LIGHT WITH DIRECT-INDIRECT LIGHTING USING 2x28W AND 2x54W T16 FLUORESCENT LAMPS.
- ALUMINIUM BODY.
- 2 COLOURS: MOKA AND WHITE.
- OPTICS MADE OF TRANSPARENT POLYCARBONATE FITTED WITH A PRISMOPTIC DIFFUSER.
- LIGHT OUTPUT RATIO: 64%.
- LIGHT DISTRIBUTION: 45% DIRECT AND 55% INDIRECT.
- ELECTRONIC CONTROL GEAR, OR DALI-SWITCHDIM DIMMABLE ELECTRONIC CONTROL GEAR. EMERGENCY LIGHTING ON REQUEST.
- POLYCARBONATE DUST PROTECTION COVER.
- QUICK ADJUSTMENT STEEL SUSPENSION CABLES.
- COMPLIES WITH STANDARD EN60598-1 AND OTHER SPECIFIC STANDARDS.



## CHOCOLATE SUSPENSION

	 <p>1193</p> <p>28 12 160</p> <p>60 40 60</p> <p>max 1200 40</p> <p>⊕ ⚡ IP20 850° ● moka 1 ○ white 2</p>												
<p>T16 (G5)</p> 	<table border="1"> <thead> <tr> <th>CODE</th> <th>LIGHT SOURCE</th> <th>WEIGHT</th> </tr> </thead> <tbody> <tr> <td><b>M1647.0</b></td> <td>T16 (G5) 2x28W non dimmable</td> <td>7,20kg</td> </tr> <tr> <td><b>M1648.0</b></td> <td>T16 (G5) 2x54W non dimmable</td> <td>7,20kg</td> </tr> <tr> <td><b>M1648.1</b></td> <td>T16 (G5) 2x28-54W dimmable DALI</td> <td>7,20kg</td> </tr> </tbody> </table>	CODE	LIGHT SOURCE	WEIGHT	<b>M1647.0</b>	T16 (G5) 2x28W non dimmable	7,20kg	<b>M1648.0</b>	T16 (G5) 2x54W non dimmable	7,20kg	<b>M1648.1</b>	T16 (G5) 2x28-54W dimmable DALI	7,20kg
CODE	LIGHT SOURCE	WEIGHT											
<b>M1647.0</b>	T16 (G5) 2x28W non dimmable	7,20kg											
<b>M1648.0</b>	T16 (G5) 2x54W non dimmable	7,20kg											
<b>M1648.1</b>	T16 (G5) 2x28-54W dimmable DALI	7,20kg											

photometric data: see page 432.

## CHOCOLATE SUSPENSION ACCESSORIES

<p>INTERACTIVE-DALI TECHNOLOGY</p>	<p>INTERACTIVE-DALI components: see page 409.</p>
--	---

# ALGORITMO

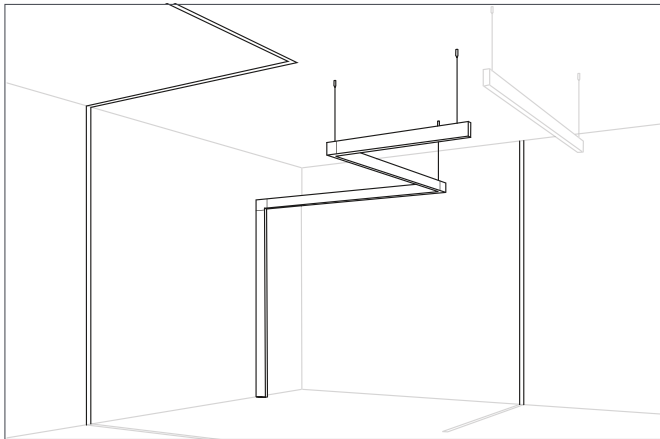
design CARLOTTA DE BEVILACQUA & PAOLA DI ARIANELLO





# ALGORITMO

## ALGORITMO SYSTEM

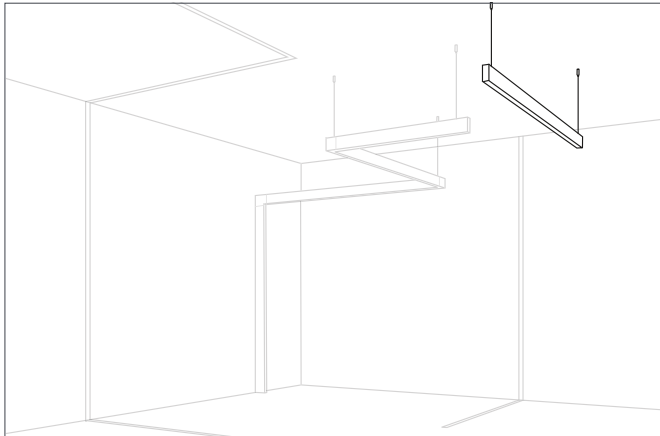


**ALGORITMO** SETS A NEW TREND IN LIGHTING DESIGN. IT'S MORE THAN JUST A TOOL FOR ILLUMINATING AND SHAPING ARCHITECTURE, **ALGORITMO** BECOMES IN ITSELF AN INTEGRAL ELEMENT OF THE ARCHITECTURE.

ITS SHARP LINES AND MINIMALISTIC DESIGN MAKE IT SUITABLE FOR ANY ARCHITECTURAL ENVIRONMENT WITHIN COMMERCIAL AND DOMESTIC PROJECTS, AND WITH MULTIPLE INSTALLATION OPTIONS IT PROVIDES AN ENDLESS CHOICE OF LIGHTING SOLUTIONS, **ALGORITMO** HAS NO LIMIT.

**ALGORITMO** IS AVAILABLE AS A SINGLE LUMINAIRE (**ALGORITMO** STAND-ALONE) AND AS A MODULAR SYSTEM (**ALGORITMO** SYSTEM) WITH CEILING RECESSED, WALL RECESSED, CEILING MOUNTED, WALL MOUNTED AND SUSPENDED INSTALLATIONS, AND AS A GROUND RECESSED LIGHTING SYSTEM (**ALGORITMO** FLOOR).

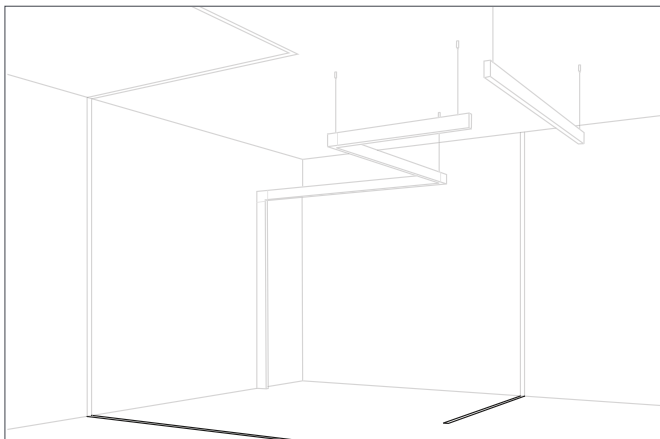
## ALGORITMO STAND-ALONE



THE PRODUCT OFFERS MANY COMBINEABLE LIGHTING OPTIONS:


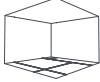
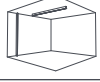
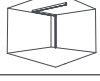
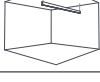
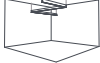
- DIFFUSED LIGHTING IN CONTINUOUS LIGHT LINES WITHOUT SHADOWS THANKS TO THE USE OF T16-SEAMLESS FLUORESCENT LAMP TECHNOLOGY.
- DARK LIGHT EMISSION WITH CONTROLLED LUMINANCE OPTICS.
- DIFFUSED OR WALL WASHER LIGHT EMISSION WITH HIGH-PERFORMING MONOCHROMATIC LED IN NEUTRAL WHITE AND WARM WHITE, AND WITH RGB LED.
- ACCENT LIGHTING WITH THE USE OF **PAD**, A PROJECTOR USING MONOCHROMATIC HIGH-PERFORMING LED WITH LENSES.







## ALGORITMO FLOOR






# ALGORITMO FAMILY: GUIDE FOR ELECTING PRODUCTS

	ALGORITMO SYSTEM	ALGORITMO STAND-ALONE	ALGORITMO FLOOR
	see page: 204 to 219	see page: 220 to 227	see page: 228 to 235

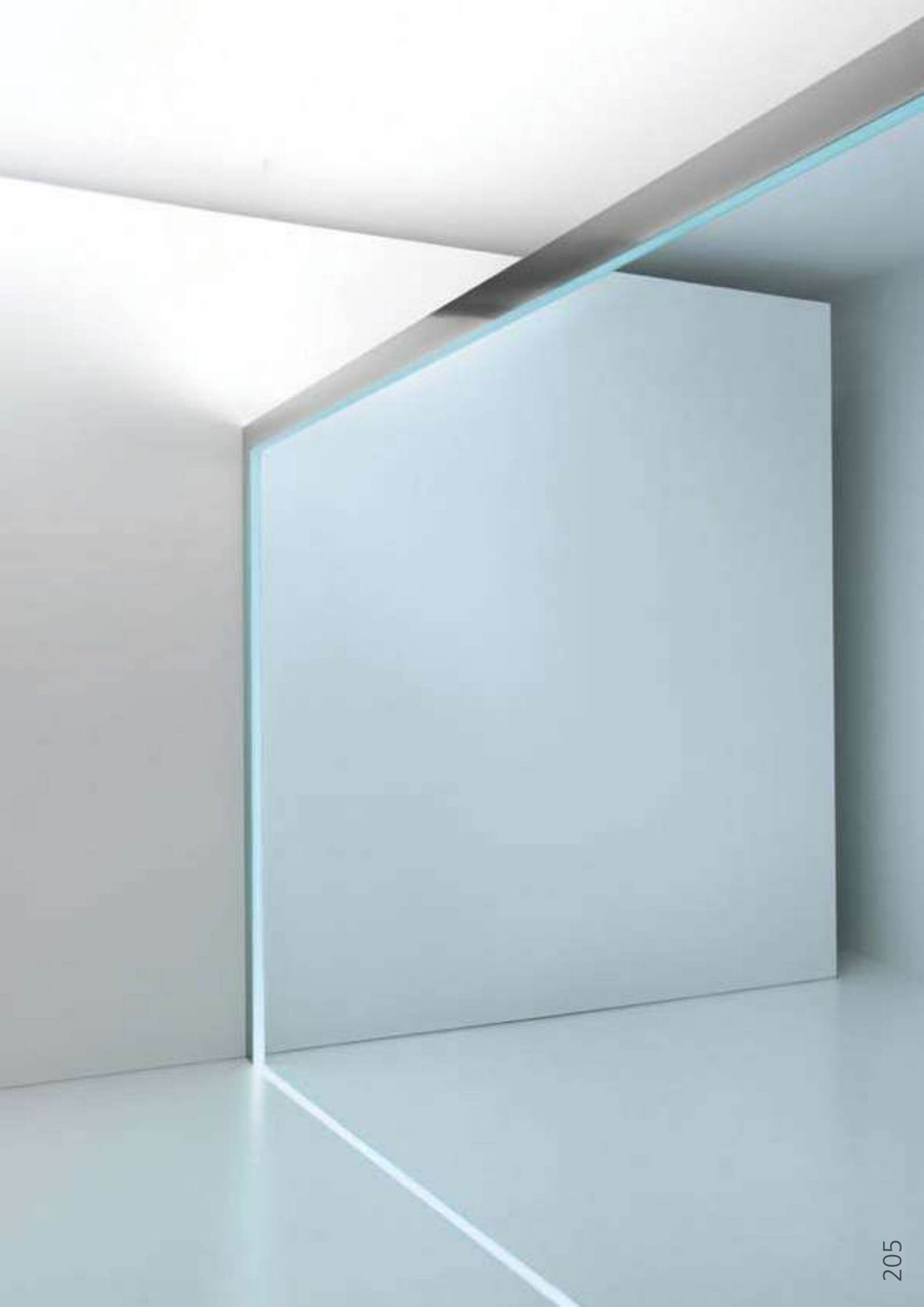
CRITERIA 1: INSTALLATION			
Ceiling-recessed or wall-recessed		•	
Ground-recessed			•
Wall or ceiling surface linear installation		•	•
Wall or ceiling surface installation with angles		•	
Suspension linear installation		•	•
Suspension installation with angles		•	

CRITERIA 2: LIGHT EMISSION			
Fluorescent direct emission diffused or dark light		•	•
Fluorescent direct emission diffused or dark light + fluorescent indirect		•	•
LED direct emission monochromatic or RGB diffused or wall washer		•	•
LED direct emission monochromatic or RGB diffused or wall washer + fluorescent indirect		•	•
Accent lighting		•	
LED diffused monochromatic or RGB			•

CRITERIA 3: LENGTH			
Length up to 1m20		•	•
Length up to 2m40		•	•
Length up to 4m80		•	

# ALGORITMO SYSTEM

- A MODULAR SYSTEM FOR CEILING-RECESSED, WALL-RECESSED, CEILING-MOUNTED, WALL-MOUNTED AND SUSPENDED INSTALLATIONS.
- EXTREMELY FLEXIBLE AND COMBINABLE: IT IS POSSIBLE TO MIX ON ONE SAME CIRCUIT MANY DIFFERENT LIGHTING OPTIONS: FLUORESCENT DIFFUSED OR DARK LIGHT, HIGH-PERFORMING MONOCHROMATIC LED AND RGB LED WITH DIFFUSED OR WALL WASHER LIGHT EMISSION, AND ALSO ACCENT LIGHT.
- INSTALLATION AS A CONTINUOUS LINE OR WITH ANGLES.
- THE SYSTEM IS COMPOSED OF:
  - STRUCTURAL MODULES IN EXTRUDED ALUMINIUM, AVAILABLE IN UP TO 4 LENGTHS AND TWO FINISHES (WHITE LACQUERED OR BRIGHT ANODIZED FINISH).
  - PRE-WIRED GEAR PLATES WITH INTEGRAL PASS-THROUGH WIRING AND QUICK CONNECTORS.
  - ADDITIONAL TROUGH-WIRING COMPLETE WITH QUICK CONNECTOR.
  - OPTICS SYSTEMS: DIFFUSERS, DARK LIGHT OPTICS OR **PAD**, A HIGH-PERFORMING MONOCHROMATIC LED PROJECTOR.
  - END CAPS AND CONNECTORS.
  - FIXING BRACKETS AND SUSPENSION WIRES.
- FLUORESCENT GEAR PLATES WITH INTEGRAL ELECTRONIC CONTROL GEAR, OR DALI-SWITCHDIM DIMMABLE ELECTRONIC CONTROL GEAR.
- T16-SEAMLESS TUBES TO BE ORDERED SEPARATELY.
- LED POWER SUPPLY AND LIGHT MANAGEMENT SYSTEM TO BE ORDERED SEPARATELY.
- COMPLIES WITH STANDARD EN60598-1 AND ANY OTHER SPECIFIC STANDARDS.







# ALGORITMO SYSTEM - GUIDE TO COMPLETING THE INSTALLATION

STRUCTURAL MODULES

+

INSTALLATION SYSTEMS

+

JUNCTION COMPONENTS

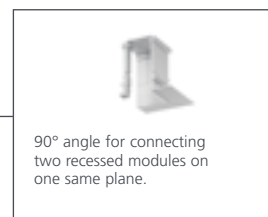
## RECESSED LIGHTING SYSTEM



Structural module for ceiling- or wall-recessed installation. Trimless finish, where installation requires a finish coat of plaster. End caps, angles, gear plates and optics not included.



End cap.

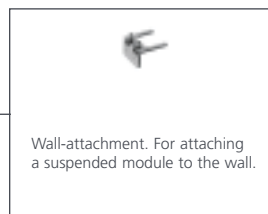


90° angle for connecting two recessed modules on one same plane.

## WALL-CEILING/SUSPENDED LIGHTING SYSTEM



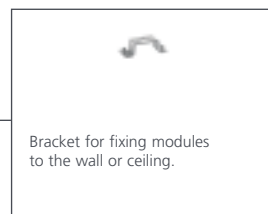
Structural module for ceiling- or wall-mounting, and suspended installation. End caps, angles, attachments, gear plates and optics not included.



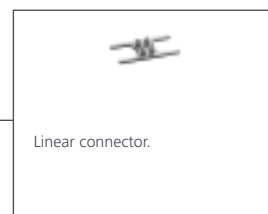
Wall-attachment. For attaching a suspended module to the wall.



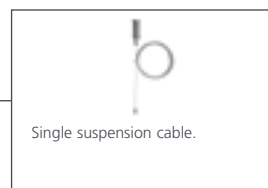
End cap.



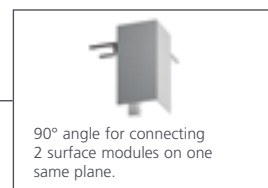
Bracket for fixing modules to the wall or ceiling.



Linear connector.



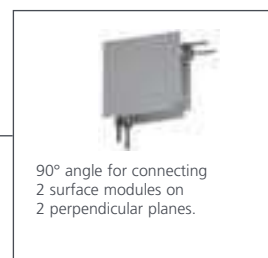
Single suspension cable.



90° angle for connecting 2 surface modules on one same plane.



Suspension kit with power supply.

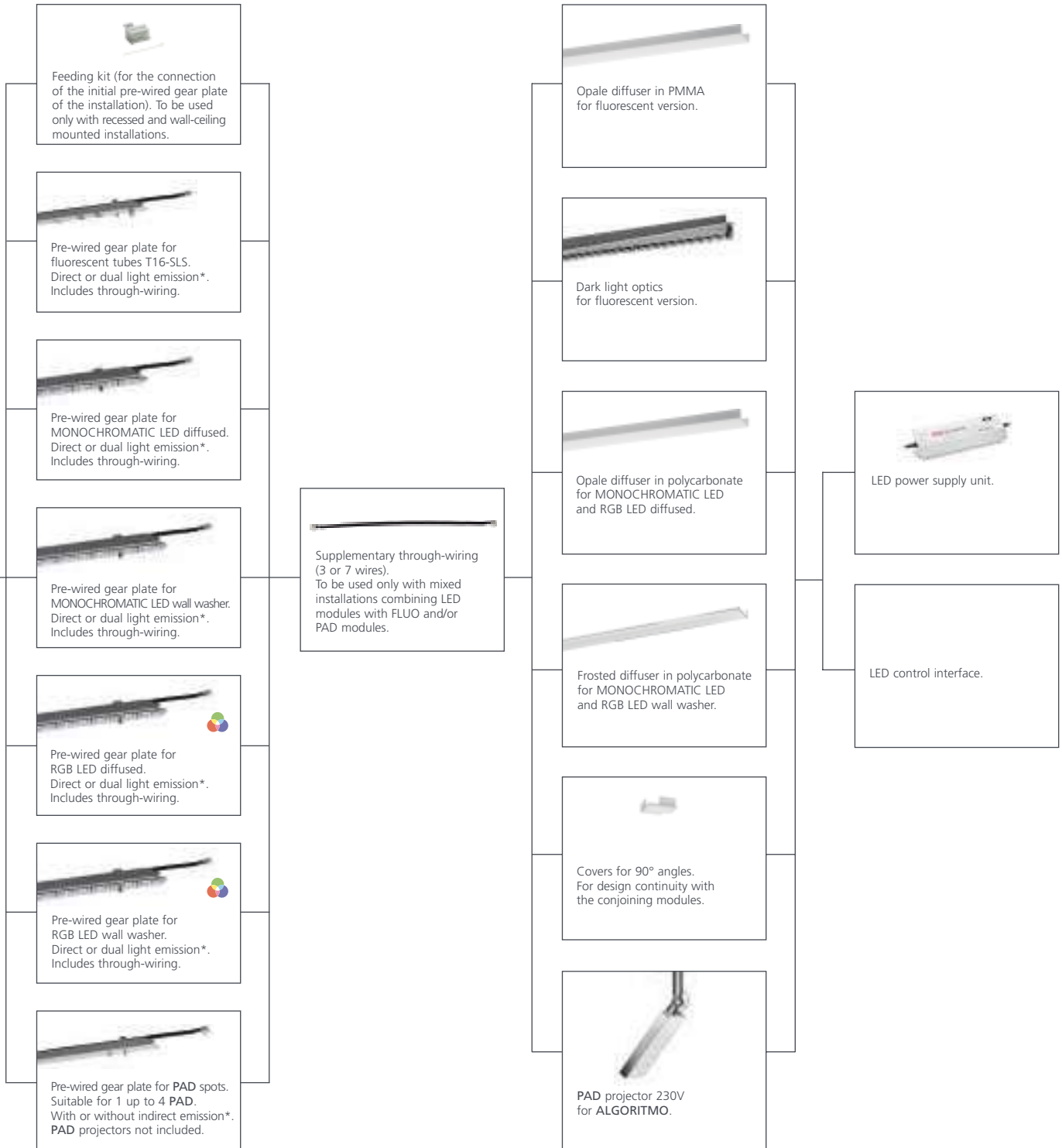


90° angle for connecting 2 surface modules on 2 perpendicular planes.

see page: 211 and 213.

see page: 213.




see page: 211 and 213.



\*Indirect lighting with fluorescent tubes T16 (G5), non dimmable.



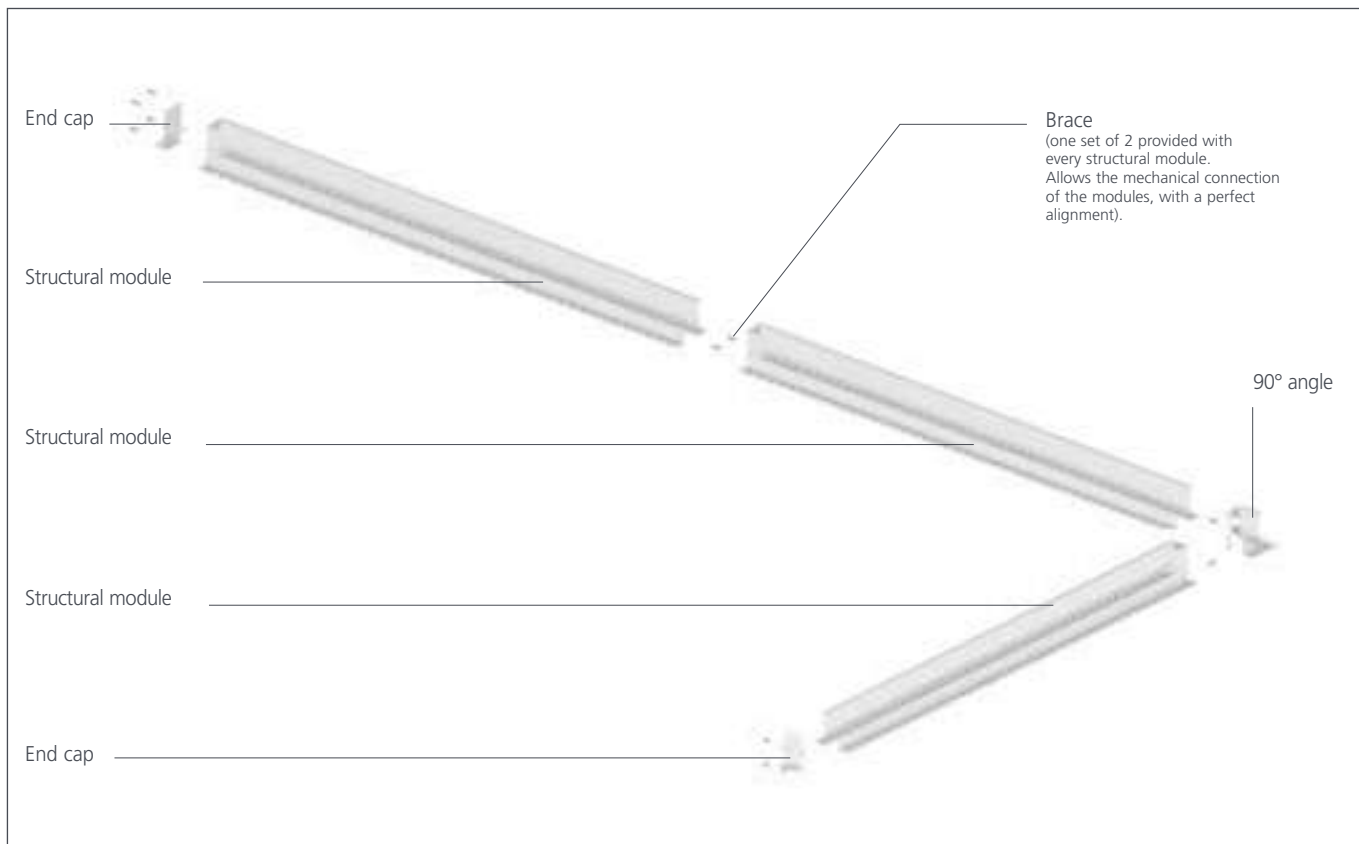
## ALGORITMO SYSTEM RECESSED STRUCTURAL MODULES

		 62x(ΣL+10mm)								
	<table border="1"> <thead> <tr> <th>CODE</th> <th>LENGTH</th> <th>WEIGHT</th> </tr> </thead> <tbody> <tr> <td><b>M204800</b></td> <td>1184mm</td> <td>1,80kg</td> </tr> <tr> <td><b>M204900</b></td> <td>2368mm</td> <td>3,60kg</td> </tr> </tbody> </table>		CODE	LENGTH	WEIGHT	<b>M204800</b>	1184mm	1,80kg	<b>M204900</b>	2368mm
CODE	LENGTH	WEIGHT								
<b>M204800</b>	1184mm	1,80kg								
<b>M204900</b>	2368mm	3,60kg								

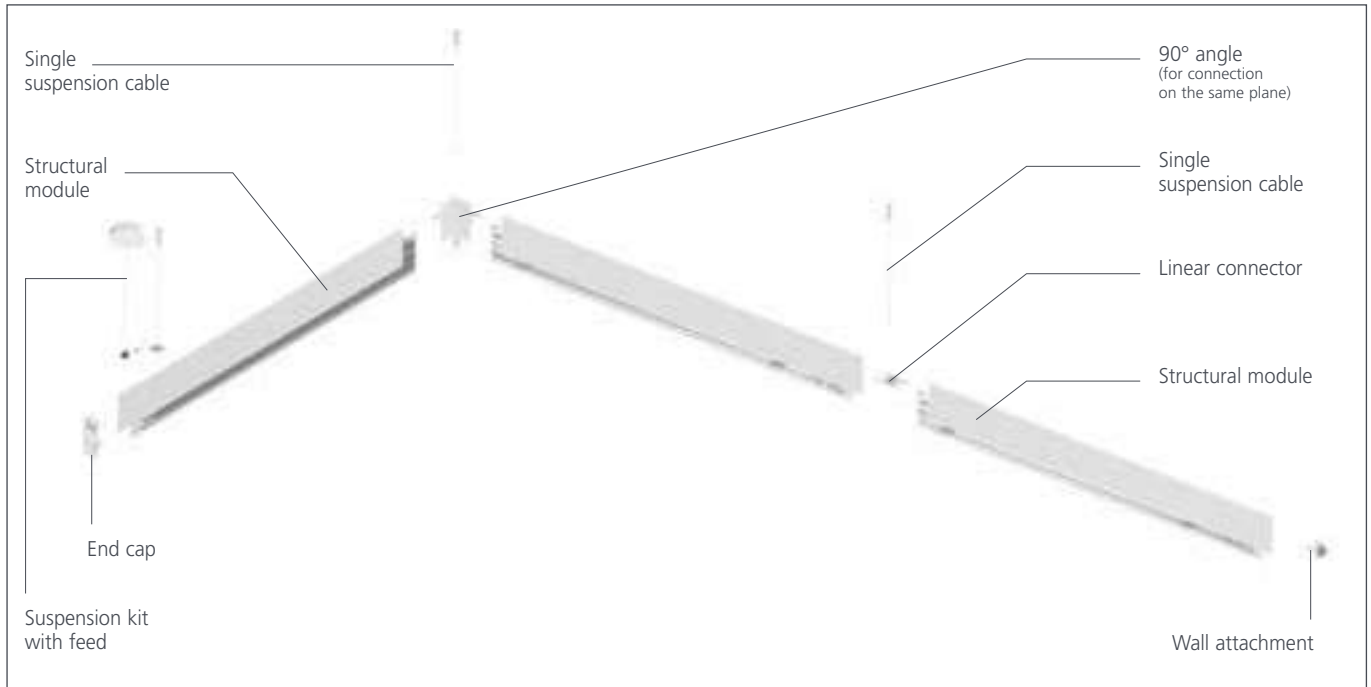
## ALGORITMO SYSTEM RECESSED COMPONENTS

	<p><b>M196600</b> 90° angle. For the mechanical connection of 2 modules on one same plan.</p> 		<p><b>M197300</b> End cap (set of 2).</p>
---	---	---	---


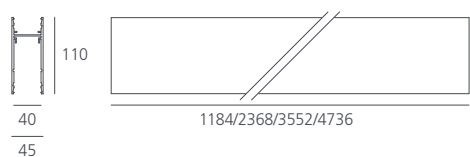
## EXAMPLE OF ANGULAR INSTALLATION




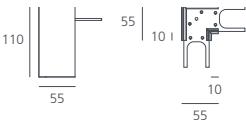
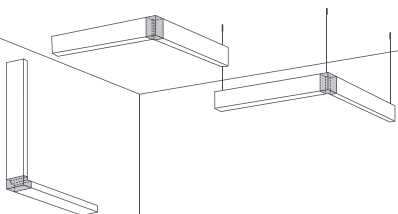

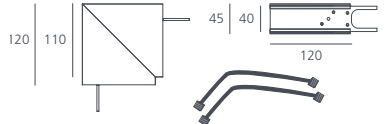
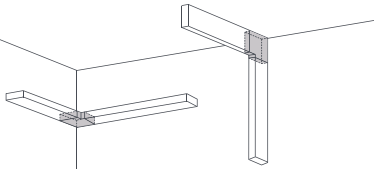





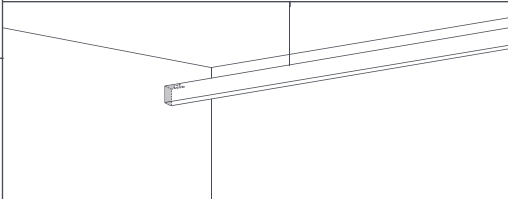
# EXAMPLE OF ANGULAR INSTALLATION








# ALGORITMO SYSTEM WALL-CEILING/SUSPENSION STRUCTURAL MODULES

																
	<input type="radio"/> white <b>2</b> <input checked="" type="radio"/> bright anodized <b>6</b>															
<table border="1"> <thead> <tr> <th>CODE</th> <th>LENGTH</th> <th>WEIGHT</th> </tr> </thead> <tbody> <tr> <td><b>M2050.0</b></td> <td>1184mm</td> <td>2,30kg</td> </tr> <tr> <td><b>M2051.0</b></td> <td>2368mm</td> <td>4,60kg</td> </tr> <tr> <td><b>M2063.0</b></td> <td>3552mm</td> <td>6,90kg</td> </tr> <tr> <td><b>M1995.0</b></td> <td>4736mm</td> <td>9,20kg</td> </tr> </tbody> </table>		CODE	LENGTH	WEIGHT	<b>M2050.0</b>	1184mm	2,30kg	<b>M2051.0</b>	2368mm	4,60kg	<b>M2063.0</b>	3552mm	6,90kg	<b>M1995.0</b>	4736mm	9,20kg
CODE	LENGTH	WEIGHT														
<b>M2050.0</b>	1184mm	2,30kg														
<b>M2051.0</b>	2368mm	4,60kg														
<b>M2063.0</b>	3552mm	6,90kg														
<b>M1995.0</b>	4736mm	9,20kg														




# ALGORITMO SYSTEM WALL-CEILING/SUSPENSION COMPONENTS

	<p><b>M1968.0</b> 90° angle. For the mechanical connection of 2 modules on one same plane. 0,30kg.</p>  <p><input type="radio"/> white <b>2</b>   <input checked="" type="radio"/> bright anodized <b>6</b></p> 										
	<p><b>M1967.0</b> 90° angle. For the mechanical connection of 2 modules on two perpendicular planes. Includes through-wire extensions. 0,60kg.</p>  <p><input type="radio"/> white <b>2</b>   <input checked="" type="radio"/> bright anodized <b>6</b></p> 										
	<p><b>M1888.0</b> End cap (set of 2).</p> <p><input type="radio"/> white <b>2</b>   <input checked="" type="radio"/> bright anodized <b>6</b></p>										
	<p><b>M189100</b> Single suspension cable with quick adjustment system. Length 2m.</p> <table border="1"> <thead> <tr> <th>Length of 1 single module</th> <th>Number of suspension cables required per each module*</th> </tr> </thead> <tbody> <tr> <td>1184mm</td> <td>2</td> </tr> <tr> <td>2368mm</td> <td>2</td> </tr> <tr> <td>3552mm</td> <td>2</td> </tr> <tr> <td>4736mm</td> <td>3</td> </tr> </tbody> </table> <p>*This number is different when installed as a continuous system with 1 or more modules connected together. See on <a href="http://www.artemide.com">www.artemide.com</a> for more details.</p>	Length of 1 single module	Number of suspension cables required per each module*	1184mm	2	2368mm	2	3552mm	2	4736mm	3
Length of 1 single module	Number of suspension cables required per each module*										
1184mm	2										
2368mm	2										
3552mm	2										
4736mm	3										
	<p><b>M199400</b> Bracket for fixing to wall/ceiling (1 piece).</p> <table border="1"> <thead> <tr> <th>Length of 1 single module</th> <th>Number of suspension cables required per each module*</th> </tr> </thead> <tbody> <tr> <td>1184mm</td> <td>2</td> </tr> <tr> <td>2368mm</td> <td>2</td> </tr> <tr> <td>3552mm</td> <td>3</td> </tr> <tr> <td>4736mm</td> <td>4</td> </tr> </tbody> </table> <p>*Also applies with installations as a continuous system.</p>	Length of 1 single module	Number of suspension cables required per each module*	1184mm	2	2368mm	2	3552mm	3	4736mm	4
Length of 1 single module	Number of suspension cables required per each module*										
1184mm	2										
2368mm	2										
3552mm	3										
4736mm	4										
	<p>Suspension kit with power supply. Includes 1 single suspension cable + 1 power feed cable. Length 2m.</p> <p><b>M189200</b> 3 wires (3x1,5mm<sup>2</sup>). For feeding the LED modules.</p> <p><b>M189300</b> 7 wires (5x1,5mm<sup>2</sup> + 2x0,5mm<sup>2</sup>). For feeding the fluorescent modules or modules with PAD.</p>										
	<p><b>M199300</b> Wall attachment. For fixing suspended modules to a vertical wall.</p> 										








## ALGORITMO SYSTEM PRE-WIRED GEAR PLATES WITH DIRECT LIGHT EMISSION

	Through-wiring included: - 7-poles with fluorescent plates - 3-poles with LED plates. LED power supply and DALI or DMX control unit to be ordered separately (see page 235).																																																																																										
	 850°																																																																																										
T16-SLS (G5) LED MONOCHROMATIC LED RGB	  	<table border="1"> <thead> <tr> <th>CODE</th> <th>LIGHT SOURCE</th> <th>LENGTH</th> <th>WEIGHT</th> </tr> </thead> <tbody> <tr> <td colspan="4"><b>FLUO</b></td> </tr> <tr> <td><b>M204000</b></td> <td>T16-SLS (G5) 1x54W non dimmable</td> <td>1184mm</td> <td>1,10kg</td> </tr> <tr> <td><b>M204001</b></td> <td>T16-SLS (G5) 1x28-54W dimmable DALI</td> <td>1184mm</td> <td>1,10kg</td> </tr> <tr> <td><b>M204200</b></td> <td>T16-SLS (G5) 2x54W non dimmable</td> <td>2368mm</td> <td>2,00kg</td> </tr> <tr> <td><b>M204201</b></td> <td>T16-SLS (G5) 2x28-54W dimmable DALI</td> <td>2368mm</td> <td>2,00kg</td> </tr> <tr> <td colspan="4"><b>LED MONOCHROMATIC DIFFUSED</b></td> </tr> <tr> <td><b>M218000</b></td> <td>LED 30W WARM WHITE</td> <td>1184mm</td> <td>1,10kg</td> </tr> <tr> <td><b>M218100</b></td> <td>LED 30W NEUTRAL WHITE</td> <td>1184mm</td> <td>1,10kg</td> </tr> <tr> <td><b>M218200</b></td> <td>LED 60W WARM WHITE</td> <td>2368mm</td> <td>2,00kg</td> </tr> <tr> <td><b>M218300</b></td> <td>LED 60W NEUTRAL WHITE</td> <td>2368mm</td> <td>2,00kg</td> </tr> <tr> <td colspan="4"><b>LED MONOCHROMATIC WALL WASHER</b></td> </tr> <tr> <td><b>M218800</b></td> <td>LED 24W WARM WHITE</td> <td>1184mm</td> <td>1,10kg</td> </tr> <tr> <td><b>M218900</b></td> <td>LED 24W NEUTRAL WHITE</td> <td>1184mm</td> <td>1,10kg</td> </tr> <tr> <td><b>M219000</b></td> <td>LED 48W WARM WHITE</td> <td>2368mm</td> <td>2,00kg</td> </tr> <tr> <td><b>M219100</b></td> <td>LED 48W NEUTRAL WHITE</td> <td>2368mm</td> <td>2,00kg</td> </tr> <tr> <td colspan="4"><b>LED RGB DIFFUSED</b></td> </tr> <tr> <td><b>M199600</b></td> <td>LED RGB 18W</td> <td>1184mm</td> <td>1,10kg</td> </tr> <tr> <td><b>M199700</b></td> <td>LED RGB 36W</td> <td>2368mm</td> <td>2,00kg</td> </tr> <tr> <td colspan="4"><b>LED RGB WALL WASHER</b></td> </tr> <tr> <td><b>M204400</b></td> <td>LED RGB 39W</td> <td>1184mm</td> <td>1,10kg</td> </tr> <tr> <td><b>M204500</b></td> <td>LED RGB 78W</td> <td>2368mm</td> <td>2,00kg</td> </tr> </tbody> </table>	CODE	LIGHT SOURCE	LENGTH	WEIGHT	<b>FLUO</b>				<b>M204000</b>	T16-SLS (G5) 1x54W non dimmable	1184mm	1,10kg	<b>M204001</b>	T16-SLS (G5) 1x28-54W dimmable DALI	1184mm	1,10kg	<b>M204200</b>	T16-SLS (G5) 2x54W non dimmable	2368mm	2,00kg	<b>M204201</b>	T16-SLS (G5) 2x28-54W dimmable DALI	2368mm	2,00kg	<b>LED MONOCHROMATIC DIFFUSED</b>				<b>M218000</b>	LED 30W WARM WHITE	1184mm	1,10kg	<b>M218100</b>	LED 30W NEUTRAL WHITE	1184mm	1,10kg	<b>M218200</b>	LED 60W WARM WHITE	2368mm	2,00kg	<b>M218300</b>	LED 60W NEUTRAL WHITE	2368mm	2,00kg	<b>LED MONOCHROMATIC WALL WASHER</b>				<b>M218800</b>	LED 24W WARM WHITE	1184mm	1,10kg	<b>M218900</b>	LED 24W NEUTRAL WHITE	1184mm	1,10kg	<b>M219000</b>	LED 48W WARM WHITE	2368mm	2,00kg	<b>M219100</b>	LED 48W NEUTRAL WHITE	2368mm	2,00kg	<b>LED RGB DIFFUSED</b>				<b>M199600</b>	LED RGB 18W	1184mm	1,10kg	<b>M199700</b>	LED RGB 36W	2368mm	2,00kg	<b>LED RGB WALL WASHER</b>				<b>M204400</b>	LED RGB 39W	1184mm	1,10kg	<b>M204500</b>	LED RGB 78W	2368mm	2,00kg	
CODE	LIGHT SOURCE	LENGTH	WEIGHT																																																																																								
<b>FLUO</b>																																																																																											
<b>M204000</b>	T16-SLS (G5) 1x54W non dimmable	1184mm	1,10kg																																																																																								
<b>M204001</b>	T16-SLS (G5) 1x28-54W dimmable DALI	1184mm	1,10kg																																																																																								
<b>M204200</b>	T16-SLS (G5) 2x54W non dimmable	2368mm	2,00kg																																																																																								
<b>M204201</b>	T16-SLS (G5) 2x28-54W dimmable DALI	2368mm	2,00kg																																																																																								
<b>LED MONOCHROMATIC DIFFUSED</b>																																																																																											
<b>M218000</b>	LED 30W WARM WHITE	1184mm	1,10kg																																																																																								
<b>M218100</b>	LED 30W NEUTRAL WHITE	1184mm	1,10kg																																																																																								
<b>M218200</b>	LED 60W WARM WHITE	2368mm	2,00kg																																																																																								
<b>M218300</b>	LED 60W NEUTRAL WHITE	2368mm	2,00kg																																																																																								
<b>LED MONOCHROMATIC WALL WASHER</b>																																																																																											
<b>M218800</b>	LED 24W WARM WHITE	1184mm	1,10kg																																																																																								
<b>M218900</b>	LED 24W NEUTRAL WHITE	1184mm	1,10kg																																																																																								
<b>M219000</b>	LED 48W WARM WHITE	2368mm	2,00kg																																																																																								
<b>M219100</b>	LED 48W NEUTRAL WHITE	2368mm	2,00kg																																																																																								
<b>LED RGB DIFFUSED</b>																																																																																											
<b>M199600</b>	LED RGB 18W	1184mm	1,10kg																																																																																								
<b>M199700</b>	LED RGB 36W	2368mm	2,00kg																																																																																								
<b>LED RGB WALL WASHER</b>																																																																																											
<b>M204400</b>	LED RGB 39W	1184mm	1,10kg																																																																																								
<b>M204500</b>	LED RGB 78W	2368mm	2,00kg																																																																																								



## ALGORITMO SYSTEM PRE-WIRED GEAR PLATE FOR PAD PROJECTOR

	7-poles through-wiring included. Dual light emission version provided with upper dust-protection polycarbonate screen. Indirect fluorescent emission is not dimmable. PAD projectors are to be ordered separately (see page 218).																						
	 650°																						
T16 (G5)		<table border="1"> <thead> <tr> <th>CODE</th> <th>VERSION</th> <th>LENGTH</th> <th>WEIGHT</th> </tr> </thead> <tbody> <tr> <td colspan="4"><b>DIRECT LIGHT EMISSION ONLY</b></td> </tr> <tr> <td><b>M217800</b></td> <td>For connecting up to 4 PAD projectors 230V</td> <td>1184mm</td> <td>1,20kg</td> </tr> <tr> <td colspan="4"><b>DIRECT + INDIRECT LIGHT EMISSION</b></td> </tr> <tr> <td><b>M217900</b></td> <td>For connecting up to 4 PAD projectors 230V + indirect T16 (G5) 1x39W</td> <td>1184mm</td> <td>1,20kg</td> </tr> </tbody> </table>	CODE	VERSION	LENGTH	WEIGHT	<b>DIRECT LIGHT EMISSION ONLY</b>				<b>M217800</b>	For connecting up to 4 PAD projectors 230V	1184mm	1,20kg	<b>DIRECT + INDIRECT LIGHT EMISSION</b>				<b>M217900</b>	For connecting up to 4 PAD projectors 230V + indirect T16 (G5) 1x39W	1184mm	1,20kg	
CODE	VERSION	LENGTH	WEIGHT																				
<b>DIRECT LIGHT EMISSION ONLY</b>																							
<b>M217800</b>	For connecting up to 4 PAD projectors 230V	1184mm	1,20kg																				
<b>DIRECT + INDIRECT LIGHT EMISSION</b>																							
<b>M217900</b>	For connecting up to 4 PAD projectors 230V + indirect T16 (G5) 1x39W	1184mm	1,20kg																				




# ALGORITMO SYSTEM PRE-WIRED GEAR PLATES WITH DUAL LIGHT EMISSION

	Through-wiring included: - 7-poles with fluorescent plates - 7-poles + 3-poles with LED plates. Indirect fluorescent emission is not dimmable. Upper dust-protection polycarbonate screen is included. LED power supply and DALI or DMX control unit to be ordered separately (see page 235).																																																																																									
	 650°																																																																																									
T16-SLS (G5) T16 (G5) LED MONOCHROMATIC LED RGB	    	<table border="1"> <thead> <tr> <th>CODE</th> <th>LIGHT SOURCE</th> <th>LENGTH</th> <th>WEIGHT</th> </tr> </thead> <tbody> <tr> <td colspan="4"><b>FLUO</b></td> </tr> <tr> <td><b>M204100</b></td> <td>T16-SLS (G5) 1x54W non dimmable + T16 (G5) 1x39W</td> <td>1184mm</td> <td>1,30kg</td> </tr> <tr> <td><b>M204101</b></td> <td>T16-SLS (G5) 1x28-54W dimmable DALI + T16 (G5) 1x39W</td> <td>1184mm</td> <td>1,30kg</td> </tr> <tr> <td><b>M204300</b></td> <td>T16-SLS (G5) 2x54W non dimmable + T16 (G5) 2x39W</td> <td>2368mm</td> <td>2,20kg</td> </tr> <tr> <td><b>M204301</b></td> <td>T16-SLS (G5) 2x28-54W dimmable DALI + T16 (G5) 2x39W</td> <td>2368mm</td> <td>2,20kg</td> </tr> <tr> <td colspan="4"><b>LED MONOCHROMATIC DIFFUSED</b></td> </tr> <tr> <td><b>M218400</b></td> <td>LED 30W WARM WHITE + T16 (G5) 1x39W</td> <td>1184mm</td> <td>1,30kg</td> </tr> <tr> <td><b>M218500</b></td> <td>LED 30W NEUTRAL WHITE + T16 (G5) 1x39W</td> <td>1184mm</td> <td>1,30kg</td> </tr> <tr> <td><b>M218600</b></td> <td>LED 60W WARM WHITE + T16 (G5) 2x39W</td> <td>2368mm</td> <td>2,20kg</td> </tr> <tr> <td><b>M218700</b></td> <td>LED 60W NEUTRAL WHITE + T16 (G5) 2x39W</td> <td>2368mm</td> <td>2,20kg</td> </tr> <tr> <td colspan="4"><b>LED MONOCHROMATIC WALL WASHER</b></td> </tr> <tr> <td><b>M219200</b></td> <td>LED 24W WARM WHITE + T16 (G5) 1x39W</td> <td>1184mm</td> <td>1,30kg</td> </tr> <tr> <td><b>M219300</b></td> <td>LED 24W NEUTRAL WHITE + T16 (G5) 1x39W</td> <td>1184mm</td> <td>1,30kg</td> </tr> <tr> <td><b>M219400</b></td> <td>LED 48W WARM WHITE + T16 (G5) 2x39W</td> <td>2368mm</td> <td>2,20kg</td> </tr> <tr> <td><b>M219500</b></td> <td>LED 48W NEUTRAL WHITE + T16 (G5) 2x39W</td> <td>2368mm</td> <td>2,20kg</td> </tr> <tr> <td colspan="4"><b>LED RGB DIFFUSED</b></td> </tr> <tr> <td><b>M199800</b></td> <td>LED RGB 18W + T16 (G5) 1x39W</td> <td>1184mm</td> <td>1,30kg</td> </tr> <tr> <td><b>M199900</b></td> <td>LED RGB 36W + T16 (G5) 2x39W</td> <td>2368mm</td> <td>2,20kg</td> </tr> <tr> <td colspan="4"><b>LED RGB WALL WASHER</b></td> </tr> <tr> <td><b>M204600</b></td> <td>LED RGB 39W + T16 (G5) 1x39W</td> <td>1184mm</td> <td>1,30kg</td> </tr> <tr> <td><b>M204700</b></td> <td>LED RGB 78W + T16 (G5) 2x39W</td> <td>2368mm</td> <td>2,20kg</td> </tr> </tbody> </table>	CODE	LIGHT SOURCE	LENGTH	WEIGHT	<b>FLUO</b>				<b>M204100</b>	T16-SLS (G5) 1x54W non dimmable + T16 (G5) 1x39W	1184mm	1,30kg	<b>M204101</b>	T16-SLS (G5) 1x28-54W dimmable DALI + T16 (G5) 1x39W	1184mm	1,30kg	<b>M204300</b>	T16-SLS (G5) 2x54W non dimmable + T16 (G5) 2x39W	2368mm	2,20kg	<b>M204301</b>	T16-SLS (G5) 2x28-54W dimmable DALI + T16 (G5) 2x39W	2368mm	2,20kg	<b>LED MONOCHROMATIC DIFFUSED</b>				<b>M218400</b>	LED 30W WARM WHITE + T16 (G5) 1x39W	1184mm	1,30kg	<b>M218500</b>	LED 30W NEUTRAL WHITE + T16 (G5) 1x39W	1184mm	1,30kg	<b>M218600</b>	LED 60W WARM WHITE + T16 (G5) 2x39W	2368mm	2,20kg	<b>M218700</b>	LED 60W NEUTRAL WHITE + T16 (G5) 2x39W	2368mm	2,20kg	<b>LED MONOCHROMATIC WALL WASHER</b>				<b>M219200</b>	LED 24W WARM WHITE + T16 (G5) 1x39W	1184mm	1,30kg	<b>M219300</b>	LED 24W NEUTRAL WHITE + T16 (G5) 1x39W	1184mm	1,30kg	<b>M219400</b>	LED 48W WARM WHITE + T16 (G5) 2x39W	2368mm	2,20kg	<b>M219500</b>	LED 48W NEUTRAL WHITE + T16 (G5) 2x39W	2368mm	2,20kg	<b>LED RGB DIFFUSED</b>				<b>M199800</b>	LED RGB 18W + T16 (G5) 1x39W	1184mm	1,30kg	<b>M199900</b>	LED RGB 36W + T16 (G5) 2x39W	2368mm	2,20kg	<b>LED RGB WALL WASHER</b>				<b>M204600</b>	LED RGB 39W + T16 (G5) 1x39W	1184mm	1,30kg	<b>M204700</b>	LED RGB 78W + T16 (G5) 2x39W	2368mm	2,20kg
CODE	LIGHT SOURCE	LENGTH	WEIGHT																																																																																							
<b>FLUO</b>																																																																																										
<b>M204100</b>	T16-SLS (G5) 1x54W non dimmable + T16 (G5) 1x39W	1184mm	1,30kg																																																																																							
<b>M204101</b>	T16-SLS (G5) 1x28-54W dimmable DALI + T16 (G5) 1x39W	1184mm	1,30kg																																																																																							
<b>M204300</b>	T16-SLS (G5) 2x54W non dimmable + T16 (G5) 2x39W	2368mm	2,20kg																																																																																							
<b>M204301</b>	T16-SLS (G5) 2x28-54W dimmable DALI + T16 (G5) 2x39W	2368mm	2,20kg																																																																																							
<b>LED MONOCHROMATIC DIFFUSED</b>																																																																																										
<b>M218400</b>	LED 30W WARM WHITE + T16 (G5) 1x39W	1184mm	1,30kg																																																																																							
<b>M218500</b>	LED 30W NEUTRAL WHITE + T16 (G5) 1x39W	1184mm	1,30kg																																																																																							
<b>M218600</b>	LED 60W WARM WHITE + T16 (G5) 2x39W	2368mm	2,20kg																																																																																							
<b>M218700</b>	LED 60W NEUTRAL WHITE + T16 (G5) 2x39W	2368mm	2,20kg																																																																																							
<b>LED MONOCHROMATIC WALL WASHER</b>																																																																																										
<b>M219200</b>	LED 24W WARM WHITE + T16 (G5) 1x39W	1184mm	1,30kg																																																																																							
<b>M219300</b>	LED 24W NEUTRAL WHITE + T16 (G5) 1x39W	1184mm	1,30kg																																																																																							
<b>M219400</b>	LED 48W WARM WHITE + T16 (G5) 2x39W	2368mm	2,20kg																																																																																							
<b>M219500</b>	LED 48W NEUTRAL WHITE + T16 (G5) 2x39W	2368mm	2,20kg																																																																																							
<b>LED RGB DIFFUSED</b>																																																																																										
<b>M199800</b>	LED RGB 18W + T16 (G5) 1x39W	1184mm	1,30kg																																																																																							
<b>M199900</b>	LED RGB 36W + T16 (G5) 2x39W	2368mm	2,20kg																																																																																							
<b>LED RGB WALL WASHER</b>																																																																																										
<b>M204600</b>	LED RGB 39W + T16 (G5) 1x39W	1184mm	1,30kg																																																																																							
<b>M204700</b>	LED RGB 78W + T16 (G5) 2x39W	2368mm	2,20kg																																																																																							

## ALGORITMO LIGHT SOURCES


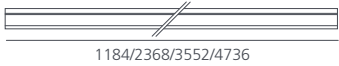

	Fluorescent tube T16-SEAMLESS (G5) (1 piece).  <b>M004800</b> 54W (3000K). <b>M004805</b> 54W (4000K).
	Fluorescent tube T16 (G5) (1 piece).  <b>M004380</b> 39W (3000K). <b>M004381</b> 39W (4000K).

## ALGORITMO SYSTEM ELECTRICAL COMPONENTS

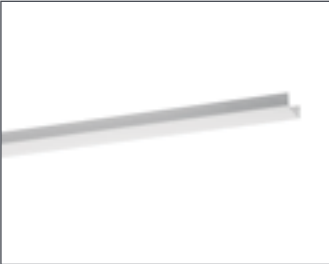
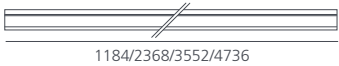

	Supplementary through-wiring. To be used when FLUO/PAD gear plates are mixed with LED gear plates.  <b>M198800</b> 3 poles. Length 1184mm. <b>M199000</b> 3 poles. Length 2368mm. <b>M198700</b> 7 poles. Length 1184mm. <b>M198900</b> 7 poles. Length 2368mm.
	Feeding kit. Allows to connect the mains to the first pre-wired gear plate of the initial module. To be used only with recessed and surface installations.  <b>M073230</b> 3 poles (for feeding LED gear plates). <b>M073240</b> 7 poles (for feeding FLUO/PAD gear plates).
	<b>M221900</b> Electrical connector for coupling wall-surface or wall-recessed-mounted LED modules of ALGORITMO SYSTEM with floor-recessed modules of ALGORITMO FLOOR, powered through the same shared electrical circuit.
	LED power-supply units and control systems: see page 235.




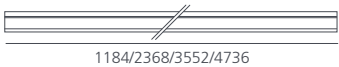

## ALGORITMO SYSTEM DIFFUSER FOR FLUO

	 		
	650°		
Opale diffuser in PMMA. To be clipped on the modules. Not suitable for LED version.	<b>CODE</b>	<b>LENGTH</b>	<b>WEIGHT</b>
	<b>M188100</b>	1184mm	0,10kg
	<b>M188200</b>	2368mm	0,20kg
	<b>M203700</b>	3552mm	0,30kg
	<b>M197800</b>	4736mm	0,40kg




## ALGORITMO SYSTEM DIFFUSER FOR LED DIFFUSED

	 		
	850°		
Opale diffuser in polycarbonate. To be clipped on the modules. Not suitable for FLUORESCENT version.	<b>CODE</b>	<b>LENGTH</b>	<b>WEIGHT</b>
	<b>M197400</b>	1184mm	0,10kg
	<b>M186800</b>	2368mm	0,20kg
	<b>M203800</b>	3552mm	0,30kg
	<b>M197500</b>	4736mm	0,40kg



## ALGORITMO SYSTEM DIFFUSER FOR LED WALL WASHER

	 		
	850°		
Frosted diffuser in polycarbonate. To be clipped on the modules.	<b>CODE</b>	<b>LENGTH</b>	<b>WEIGHT</b>
	<b>M197600</b>	1184mm	0,10kg
	<b>M186900</b>	2368mm	0,20kg
	<b>M203900</b>	3552mm	0,30kg
	<b>M197700</b>	4736mm	0,40kg



## ALGORITMO SYSTEM DARK LIGHT OPTICS FOR FLUO

	 		
	960°		
Dark light optics in metallized polycarbonate. To be clipped on the modules.	<b>CODE</b>	<b>LENGTH</b>	<b>WEIGHT</b>
	<b>M188500</b>	1184mm	0,20kg
	<b>M188600</b>	2368mm	0,40kg


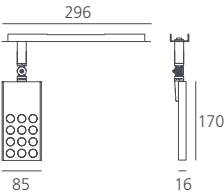
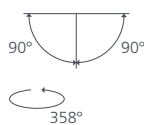

## ALGORITMO SYSTEM COVERS FOR 90° ANGLES ON THE SAME PLANE

	
To be clipped on the angle. Suitable for the angles M196600 and M1968.0.	<b>CODE</b> <b>VERSION</b>
	<b>M197900</b> For connection with fluorescent diffused modules
	<b>M198000</b> For connection with fluorescent dark light modules
	<b>M198100</b> For connection with modules for MONOCHROMATIC/RGB LED diffused
	<b>M198200</b> For connection with modules for MONOCHROMATIC/RGB LED wall washer

## ALGORITMO SYSTEM COVERS FOR 90° ANGLES ON 2 PERPENDICULAR PLANES



	
To be clipped on the angle. Suitable for the angle M1967.0.	<b>CODE</b> <b>VERSION</b>
	<b>M198300</b> For connection with fluorescent diffused modules
	<b>M198400</b> For connection with fluorescent dark light modules
	<b>M198500</b> For connection with modules for MONOCHROMATIC/RGB LED diffused
	<b>M198600</b> For connection with modules for MONOCHROMATIC/RGB LED wall washer

## PAD FOR ALGORITMO

		
	⊕ IP40 65°    ○ translucent/bright anodized	
LED MONOCHROMATIC 	<b>CODE</b> <b>LIGHT SOURCE</b> <b>WEIGHT</b>	
	<b>M200002</b> LED 13W 2x5° WARM WHITE      0,80kg	
	<b>M200102</b> LED 13W 2x5° NEUTRAL WHITE      0,80kg	
	<b>M200202</b> LED 13W 2x10° WARM WHITE      0,80kg	
	<b>M200302</b> LED 13W 2x10° NEUTRAL WHITE      0,80kg	
	<b>M200402</b> LED 13W 2x20° WARM WHITE      0,80kg	
	<b>M200502</b> LED 13W 2x20° NEUTRAL WHITE      0,80kg	
PAD projector mounted onto a steel plate with metalgrey paint finish.		

photometric data: see page 415.  
PAD projector: see pages 26-29.

## PAD FOR ALGORITMO ACCESSORIES

<b>M217760</b> Blind panel. For closing the positions where no PAD projector is used. 1 piece required for each empty position.  metal-grey	<b>M217660</b> Intermediate finishing cap (set of 2 pcs). To be used at the junction of PAD modules with FLUO or LED modules.  metal-grey
--	---



# ALGORITMO STAND-ALONE


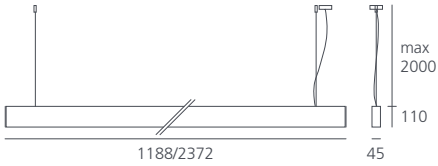











ALGORITMO STAND-ALONE WALL/CEILING



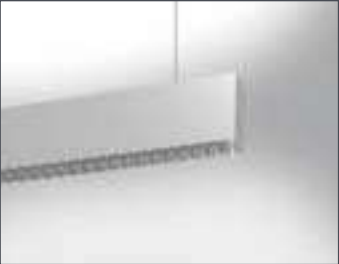
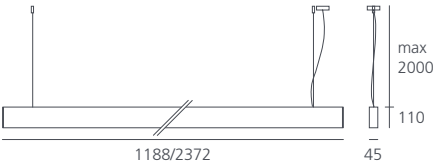









- A RANGE OF ALL-INCLUSIVE READY-TO-BE-INSTALLED SINGLE LUMINAIRES FOR PENDANT, WALL OR CEILING SURFACE INSTALLATION.
- EXTRUDED ALUMINIUM BODY WITH A WHITE PAINT OR BRIGHT ANODIZED FINISH, AVAILABLE IN LENGTHS OF 1188MM AND 2372MM.
- FLUORESCENT VERSION USING T16-SEAMLESS LAMPS, WITH OPALE DIFFUSER OR DARK LIGHT REFLECTOR. ELECTRONIC CONTROL GEAR OR DALI-SWITCHDIM DIMMABLE ELECTRONIC CONTROL GEAR.
- LED VERSION WITH SYMMETRICAL DIFFUSED OR ASYMMETRICAL WALL WASHER LIGHT EMISSION, WITH MONOCHROMATIC NEUTRAL WHITE AND WARM WHITE TONES, AND RGB. POWER SUPPLY AND DALI CONTROL UNIT ARE INCLUDED.
- SUSPENDED VERSION WITH DIRECT ILLUMINATION OR DUAL LIGHT EMISSION.
- LUMINAIRES COME COMPLETE WITH END CAPS, FIXING BRACKETS OR SUSPENSION CABLES AND OPTICS.
- FLUORESCENT LAMPS ARE TO BE ORDERED SEPARATELY.
- COMPLIES WITH STANDARD EN60598-1 AND ANY OTHER SPECIFIC STANDARDS.

## ALGORITMO STAND-ALONE SUSPENSION FLUO DIFFUSER

		 IP20 650°  white <b>2</b>  bright anodized <b>6</b>																																																																			
		<table border="1"> <thead> <tr> <th>T16-SLS (G5)</th> <th>T16 (G5)</th> <th>CODE</th> <th>LIGHT SOURCE</th> <th>LENGTH</th> <th>WEIGHT</th> </tr> </thead> <tbody> <tr> <td></td> <td></td> <td colspan="4"><b>DIRECT LIGHT EMISSION</b></td> </tr> <tr> <td></td> <td></td> <td><b>M2054.0</b></td> <td>T16-SLS (G5) 1x54W non dimmable</td> <td>1188mm</td> <td>3,80kg</td> </tr> <tr> <td></td> <td></td> <td><b>M2054.1</b></td> <td>T16-SLS (G5) 1x28-54W dimmable DALI</td> <td>1188mm</td> <td>3,80kg</td> </tr> <tr> <td></td> <td></td> <td><b>M2055.0</b></td> <td>T16-SLS (G5) 2x54W non dimmable</td> <td>2372mm</td> <td>7,10kg</td> </tr> <tr> <td></td> <td></td> <td><b>M2055.1</b></td> <td>T16-SLS (G5) 2x28-54W dimmable DALI</td> <td>2372mm</td> <td>7,10kg</td> </tr> <tr> <td></td> <td></td> <td colspan="4"><b>DIRECT + INDIRECT* LIGHT EMISSION</b></td> </tr> <tr> <td></td> <td></td> <td><b>M2056.0</b></td> <td>T16-SLS (G5) 1x54W non dimmable + T16 (G5) 1x39W</td> <td>1188mm</td> <td>4,00kg</td> </tr> <tr> <td></td> <td></td> <td><b>M2056.1</b></td> <td>T16-SLS (G5) 1x28-54W dimmable DALI + T16 (G5) 1x39W</td> <td>1188mm</td> <td>4,00kg</td> </tr> <tr> <td></td> <td></td> <td><b>M2057.0</b></td> <td>T16-SLS (G5) 2x54W non dimmable + T16 (G5) 2x39W</td> <td>2372mm</td> <td>7,30kg</td> </tr> <tr> <td></td> <td></td> <td><b>M2057.1</b></td> <td>T16-SLS (G5) 2x28-54W dimmable DALI + T16 (G5) 2x39W</td> <td>2372mm</td> <td>7,30kg</td> </tr> </tbody> </table>	T16-SLS (G5)	T16 (G5)	CODE	LIGHT SOURCE	LENGTH	WEIGHT			<b>DIRECT LIGHT EMISSION</b>						<b>M2054.0</b>	T16-SLS (G5) 1x54W non dimmable	1188mm	3,80kg			<b>M2054.1</b>	T16-SLS (G5) 1x28-54W dimmable DALI	1188mm	3,80kg			<b>M2055.0</b>	T16-SLS (G5) 2x54W non dimmable	2372mm	7,10kg			<b>M2055.1</b>	T16-SLS (G5) 2x28-54W dimmable DALI	2372mm	7,10kg			<b>DIRECT + INDIRECT* LIGHT EMISSION</b>						<b>M2056.0</b>	T16-SLS (G5) 1x54W non dimmable + T16 (G5) 1x39W	1188mm	4,00kg			<b>M2056.1</b>	T16-SLS (G5) 1x28-54W dimmable DALI + T16 (G5) 1x39W	1188mm	4,00kg			<b>M2057.0</b>	T16-SLS (G5) 2x54W non dimmable + T16 (G5) 2x39W	2372mm	7,30kg			<b>M2057.1</b>	T16-SLS (G5) 2x28-54W dimmable DALI + T16 (G5) 2x39W	2372mm	7,30kg	<p>*Indirect emission is not dimmable. Upper dust-protection polycarbonate screen is included.</p>
T16-SLS (G5)	T16 (G5)	CODE	LIGHT SOURCE	LENGTH	WEIGHT																																																																
		<b>DIRECT LIGHT EMISSION</b>																																																																			
		<b>M2054.0</b>	T16-SLS (G5) 1x54W non dimmable	1188mm	3,80kg																																																																
		<b>M2054.1</b>	T16-SLS (G5) 1x28-54W dimmable DALI	1188mm	3,80kg																																																																
		<b>M2055.0</b>	T16-SLS (G5) 2x54W non dimmable	2372mm	7,10kg																																																																
		<b>M2055.1</b>	T16-SLS (G5) 2x28-54W dimmable DALI	2372mm	7,10kg																																																																
		<b>DIRECT + INDIRECT* LIGHT EMISSION</b>																																																																			
		<b>M2056.0</b>	T16-SLS (G5) 1x54W non dimmable + T16 (G5) 1x39W	1188mm	4,00kg																																																																
		<b>M2056.1</b>	T16-SLS (G5) 1x28-54W dimmable DALI + T16 (G5) 1x39W	1188mm	4,00kg																																																																
		<b>M2057.0</b>	T16-SLS (G5) 2x54W non dimmable + T16 (G5) 2x39W	2372mm	7,30kg																																																																
		<b>M2057.1</b>	T16-SLS (G5) 2x28-54W dimmable DALI + T16 (G5) 2x39W	2372mm	7,30kg																																																																


photometric data: see page 431.

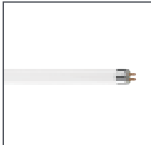
## ALGORITMO STAND-ALONE SUSPENSION FLUO DARK LIGHT

		 IP20 960°/650°  white <b>2</b>  bright anodized <b>6</b>																																																																			
		<table border="1"> <thead> <tr> <th>T16-SLS (G5)</th> <th>T16 (G5)</th> <th>CODE</th> <th>LIGHT SOURCE</th> <th>LENGTH</th> <th>WEIGHT</th> </tr> </thead> <tbody> <tr> <td></td> <td></td> <td colspan="4"><b>DIRECT LIGHT EMISSION</b></td> </tr> <tr> <td></td> <td></td> <td><b>M2070.0</b></td> <td>T16-SLS (G5) 1x54W non dimmable</td> <td>1188mm</td> <td>3,80kg</td> </tr> <tr> <td></td> <td></td> <td><b>M2070.1</b></td> <td>T16-SLS (G5) 1x28-54W dimmable DALI</td> <td>1188mm</td> <td>3,80kg</td> </tr> <tr> <td></td> <td></td> <td><b>M2071.0</b></td> <td>T16-SLS (G5) 2x54W non dimmable</td> <td>2372mm</td> <td>7,10kg</td> </tr> <tr> <td></td> <td></td> <td><b>M2071.1</b></td> <td>T16-SLS (G5) 2x28-54W dimmable DALI</td> <td>2372mm</td> <td>7,10kg</td> </tr> <tr> <td></td> <td></td> <td colspan="4"><b>DIRECT + INDIRECT* LIGHT EMISSION</b></td> </tr> <tr> <td></td> <td></td> <td><b>M2072.0</b></td> <td>T16-SLS (G5) 1x54W non dimmable + T16 (G5) 1x39W</td> <td>1188mm</td> <td>4,00kg</td> </tr> <tr> <td></td> <td></td> <td><b>M2072.1</b></td> <td>T16-SLS (G5) 1x28-54W dimmable DALI + T16 (G5) 1x39W</td> <td>1188mm</td> <td>4,00kg</td> </tr> <tr> <td></td> <td></td> <td><b>M2073.0</b></td> <td>T16-SLS (G5) 2x54W non dimmable + T16 (G5) 2x39W</td> <td>2372mm</td> <td>7,30kg</td> </tr> <tr> <td></td> <td></td> <td><b>M2073.1</b></td> <td>T16-SLS (G5) 2x28-54W dimmable DALI + T16 (G5) 2x39W</td> <td>2372mm</td> <td>7,30kg</td> </tr> </tbody> </table>	T16-SLS (G5)	T16 (G5)	CODE	LIGHT SOURCE	LENGTH	WEIGHT			<b>DIRECT LIGHT EMISSION</b>						<b>M2070.0</b>	T16-SLS (G5) 1x54W non dimmable	1188mm	3,80kg			<b>M2070.1</b>	T16-SLS (G5) 1x28-54W dimmable DALI	1188mm	3,80kg			<b>M2071.0</b>	T16-SLS (G5) 2x54W non dimmable	2372mm	7,10kg			<b>M2071.1</b>	T16-SLS (G5) 2x28-54W dimmable DALI	2372mm	7,10kg			<b>DIRECT + INDIRECT* LIGHT EMISSION</b>						<b>M2072.0</b>	T16-SLS (G5) 1x54W non dimmable + T16 (G5) 1x39W	1188mm	4,00kg			<b>M2072.1</b>	T16-SLS (G5) 1x28-54W dimmable DALI + T16 (G5) 1x39W	1188mm	4,00kg			<b>M2073.0</b>	T16-SLS (G5) 2x54W non dimmable + T16 (G5) 2x39W	2372mm	7,30kg			<b>M2073.1</b>	T16-SLS (G5) 2x28-54W dimmable DALI + T16 (G5) 2x39W	2372mm	7,30kg	<p>*Indirect emission is not dimmable. Upper dust-protection polycarbonate screen is included.</p>
T16-SLS (G5)	T16 (G5)	CODE	LIGHT SOURCE	LENGTH	WEIGHT																																																																
		<b>DIRECT LIGHT EMISSION</b>																																																																			
		<b>M2070.0</b>	T16-SLS (G5) 1x54W non dimmable	1188mm	3,80kg																																																																
		<b>M2070.1</b>	T16-SLS (G5) 1x28-54W dimmable DALI	1188mm	3,80kg																																																																
		<b>M2071.0</b>	T16-SLS (G5) 2x54W non dimmable	2372mm	7,10kg																																																																
		<b>M2071.1</b>	T16-SLS (G5) 2x28-54W dimmable DALI	2372mm	7,10kg																																																																
		<b>DIRECT + INDIRECT* LIGHT EMISSION</b>																																																																			
		<b>M2072.0</b>	T16-SLS (G5) 1x54W non dimmable + T16 (G5) 1x39W	1188mm	4,00kg																																																																
		<b>M2072.1</b>	T16-SLS (G5) 1x28-54W dimmable DALI + T16 (G5) 1x39W	1188mm	4,00kg																																																																
		<b>M2073.0</b>	T16-SLS (G5) 2x54W non dimmable + T16 (G5) 2x39W	2372mm	7,30kg																																																																
		<b>M2073.1</b>	T16-SLS (G5) 2x28-54W dimmable DALI + T16 (G5) 2x39W	2372mm	7,30kg																																																																




photometric data: see page 431.

## ALGORITMO LIGHT SOURCES

	Fluorescent tube T16-SEAMLESS (G5) (1 piece).	
	<b>M004800</b>	54W (3000K).
	<b>M004805</b>	54W (4000K).

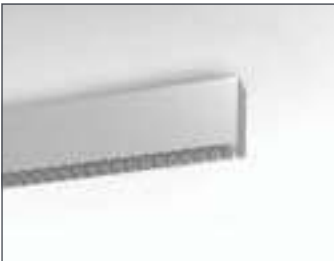
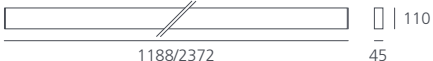

	Fluorescent tube T16 (G5) (1 piece).	
	<b>M004380</b>	39W (3000K).
	<b>M004381</b>	39W (4000K).

## ALGORITMO STAND-ALONE WALL/CEILING FLUO DIFFUSER

				
	Ⓧ IP20 650° ○ white <b>2</b> ● bright anodized <b>6</b>			
T16-SLS (G5) 	<b>CODE</b>	<b>LIGHT SOURCE</b>	<b>LENGTH</b>	<b>WEIGHT</b>
	<b>M2052.0</b>	T16-SLS (G5) 1x54W non dimmable	1188mm	3,80kg
	<b>M2052.1</b>	T16-SLS (G5) 1x28-54W dimmable DALI	1188mm	3,80kg
	<b>M2053.0</b>	T16-SLS (G5) 2x54W non dimmable	2372mm	7,10kg
	<b>M2053.1</b>	T16-SLS (G5) 2x28-54W dimmable DALI	2372mm	7,10kg

photometric data: see page 427.


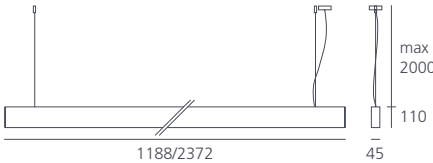



## ALGORITMO STAND-ALONE WALL/CEILING FLUO DARK LIGHT

				
	Ⓧ IP20 960° ○ white <b>2</b> ● bright anodized <b>6</b>			
T16-SLS (G5) 	<b>CODE</b>	<b>LIGHT SOURCE</b>	<b>LENGTH</b>	<b>WEIGHT</b>
	<b>M2068.0</b>	T16-SLS (G5) 1x54W non dimmable	1188mm	3,80kg
	<b>M2068.1</b>	T16-SLS (G5) 1x28-54W dimmable DALI	1188mm	3,80kg
	<b>M2069.0</b>	T16-SLS (G5) 2x54W non dimmable	2372mm	7,10kg
	<b>M2069.1</b>	T16-SLS (G5) 2x28-54W dimmable DALI	2372mm	7,10kg

photometric data: see page 427.


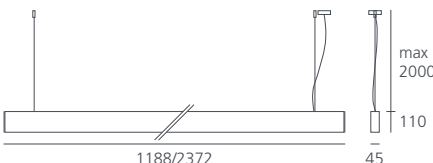





## ALGORITMO STAND-ALONE SUSPENSION LED MONOCHROMATIC DIFFUSER


																																															
	 IP20 850°/650°  white <b>2</b>  bright anodized <b>6</b>																																														
LED MONOCHROMATIC T16 (G5)	<table border="1"> <thead> <tr> <th>CODE</th> <th>LIGHT SOURCE</th> <th>LENGTH</th> <th>WEIGHT</th> </tr> </thead> <tbody> <tr> <td colspan="4"><b>DIRECT LIGHT EMISSION</b></td> </tr> <tr> <td><b>M2086.0</b></td> <td>LED 30W WARM WHITE dimmable DALI</td> <td>1188mm</td> <td>3,80kg</td> </tr> <tr> <td><b>M2088.0</b></td> <td>LED 30W NEUTRAL WHITE dimmable DALI</td> <td>1188mm</td> <td>3,80kg</td> </tr> <tr> <td><b>M2087.0</b></td> <td>LED 60W WARM WHITE dimmable DALI</td> <td>2372mm</td> <td>7,10kg</td> </tr> <tr> <td><b>M2089.0</b></td> <td>LED 60W NEUTRAL WHITE dimmable DALI</td> <td>2372mm</td> <td>7,10kg</td> </tr> <tr> <td colspan="4"><b>DIRECT + INDIRECT* LIGHT EMISSION</b></td> </tr> <tr> <td><b>M2090.0</b></td> <td>LED 30W WARM WHITE dimmable DALI + T16 (G5) 1x39W</td> <td>1188mm</td> <td>4,00kg</td> </tr> <tr> <td><b>M2092.0</b></td> <td>LED 30W NEUTRAL WHITE dimmable DALI + T16 (G5) 1x39W</td> <td>1188mm</td> <td>4,00kg</td> </tr> <tr> <td><b>M2091.0</b></td> <td>LED 60W WARM WHITE dimmable DALI + T16 (G5) 2x39W</td> <td>2372mm</td> <td>7,30kg</td> </tr> <tr> <td><b>M2093.0</b></td> <td>LED 60W NEUTRAL WHITE dimmable DALI + T16 (G5) 2x39W</td> <td>2372mm</td> <td>7,30kg</td> </tr> </tbody> </table>			CODE	LIGHT SOURCE	LENGTH	WEIGHT	<b>DIRECT LIGHT EMISSION</b>				<b>M2086.0</b>	LED 30W WARM WHITE dimmable DALI	1188mm	3,80kg	<b>M2088.0</b>	LED 30W NEUTRAL WHITE dimmable DALI	1188mm	3,80kg	<b>M2087.0</b>	LED 60W WARM WHITE dimmable DALI	2372mm	7,10kg	<b>M2089.0</b>	LED 60W NEUTRAL WHITE dimmable DALI	2372mm	7,10kg	<b>DIRECT + INDIRECT* LIGHT EMISSION</b>				<b>M2090.0</b>	LED 30W WARM WHITE dimmable DALI + T16 (G5) 1x39W	1188mm	4,00kg	<b>M2092.0</b>	LED 30W NEUTRAL WHITE dimmable DALI + T16 (G5) 1x39W	1188mm	4,00kg	<b>M2091.0</b>	LED 60W WARM WHITE dimmable DALI + T16 (G5) 2x39W	2372mm	7,30kg	<b>M2093.0</b>	LED 60W NEUTRAL WHITE dimmable DALI + T16 (G5) 2x39W	2372mm	7,30kg
	CODE	LIGHT SOURCE	LENGTH	WEIGHT																																											
	<b>DIRECT LIGHT EMISSION</b>																																														
	<b>M2086.0</b>	LED 30W WARM WHITE dimmable DALI	1188mm	3,80kg																																											
	<b>M2088.0</b>	LED 30W NEUTRAL WHITE dimmable DALI	1188mm	3,80kg																																											
	<b>M2087.0</b>	LED 60W WARM WHITE dimmable DALI	2372mm	7,10kg																																											
	<b>M2089.0</b>	LED 60W NEUTRAL WHITE dimmable DALI	2372mm	7,10kg																																											
	<b>DIRECT + INDIRECT* LIGHT EMISSION</b>																																														
	<b>M2090.0</b>	LED 30W WARM WHITE dimmable DALI + T16 (G5) 1x39W	1188mm	4,00kg																																											
	<b>M2092.0</b>	LED 30W NEUTRAL WHITE dimmable DALI + T16 (G5) 1x39W	1188mm	4,00kg																																											
	<b>M2091.0</b>	LED 60W WARM WHITE dimmable DALI + T16 (G5) 2x39W	2372mm	7,30kg																																											
<b>M2093.0</b>	LED 60W NEUTRAL WHITE dimmable DALI + T16 (G5) 2x39W	2372mm	7,30kg																																												
Luminaire comes complete with DALI power supply unit. *Indirect emission is not dimmable. Upper dust-protection polycarbonate screen is included.																																															

photometric data: see page 431.




## ALGORITMO STAND-ALONE SUSPENSION LED MONOCHROMATIC WALL WASHER

																																															
	 IP20 850°/650°  white <b>2</b>  bright anodized <b>6</b>																																														
LED MONOCHROMATIC T16 (G5)	<table border="1"> <thead> <tr> <th>CODE</th> <th>LIGHT SOURCE</th> <th>LENGTH</th> <th>WEIGHT</th> </tr> </thead> <tbody> <tr> <td colspan="4"><b>DIRECT LIGHT EMISSION</b></td> </tr> <tr> <td><b>M2094.0</b></td> <td>LED 24W WARM WHITE dimmable DALI</td> <td>1188mm</td> <td>3,80kg</td> </tr> <tr> <td><b>M2096.0</b></td> <td>LED 24W NEUTRAL WHITE dimmable DALI</td> <td>1188mm</td> <td>3,80kg</td> </tr> <tr> <td><b>M2095.0</b></td> <td>LED 48W WARM WHITE dimmable DALI</td> <td>2372mm</td> <td>7,10kg</td> </tr> <tr> <td><b>M2097.0</b></td> <td>LED 48W NEUTRAL WHITE dimmable DALI</td> <td>2372mm</td> <td>7,10kg</td> </tr> <tr> <td colspan="4"><b>DIRECT + INDIRECT* LIGHT EMISSION</b></td> </tr> <tr> <td><b>M2098.0</b></td> <td>LED 24W WARM WHITE dimmable DALI + T16 (G5) 1x39W</td> <td>1188mm</td> <td>4,00kg</td> </tr> <tr> <td><b>M2100.0</b></td> <td>LED 24W NEUTRAL WHITE dimmable DALI + T16 (G5) 1x39W</td> <td>1188mm</td> <td>4,00kg</td> </tr> <tr> <td><b>M2099.0</b></td> <td>LED 48W WARM WHITE dimmable DALI + T16 (G5) 2x39W</td> <td>2372mm</td> <td>7,30kg</td> </tr> <tr> <td><b>M2101.0</b></td> <td>LED 48W NEUTRAL WHITE dimmable DALI + T16 (G5) 2x39W</td> <td>2372mm</td> <td>7,30kg</td> </tr> </tbody> </table>			CODE	LIGHT SOURCE	LENGTH	WEIGHT	<b>DIRECT LIGHT EMISSION</b>				<b>M2094.0</b>	LED 24W WARM WHITE dimmable DALI	1188mm	3,80kg	<b>M2096.0</b>	LED 24W NEUTRAL WHITE dimmable DALI	1188mm	3,80kg	<b>M2095.0</b>	LED 48W WARM WHITE dimmable DALI	2372mm	7,10kg	<b>M2097.0</b>	LED 48W NEUTRAL WHITE dimmable DALI	2372mm	7,10kg	<b>DIRECT + INDIRECT* LIGHT EMISSION</b>				<b>M2098.0</b>	LED 24W WARM WHITE dimmable DALI + T16 (G5) 1x39W	1188mm	4,00kg	<b>M2100.0</b>	LED 24W NEUTRAL WHITE dimmable DALI + T16 (G5) 1x39W	1188mm	4,00kg	<b>M2099.0</b>	LED 48W WARM WHITE dimmable DALI + T16 (G5) 2x39W	2372mm	7,30kg	<b>M2101.0</b>	LED 48W NEUTRAL WHITE dimmable DALI + T16 (G5) 2x39W	2372mm	7,30kg
	CODE	LIGHT SOURCE	LENGTH	WEIGHT																																											
	<b>DIRECT LIGHT EMISSION</b>																																														
	<b>M2094.0</b>	LED 24W WARM WHITE dimmable DALI	1188mm	3,80kg																																											
	<b>M2096.0</b>	LED 24W NEUTRAL WHITE dimmable DALI	1188mm	3,80kg																																											
	<b>M2095.0</b>	LED 48W WARM WHITE dimmable DALI	2372mm	7,10kg																																											
	<b>M2097.0</b>	LED 48W NEUTRAL WHITE dimmable DALI	2372mm	7,10kg																																											
	<b>DIRECT + INDIRECT* LIGHT EMISSION</b>																																														
	<b>M2098.0</b>	LED 24W WARM WHITE dimmable DALI + T16 (G5) 1x39W	1188mm	4,00kg																																											
	<b>M2100.0</b>	LED 24W NEUTRAL WHITE dimmable DALI + T16 (G5) 1x39W	1188mm	4,00kg																																											
	<b>M2099.0</b>	LED 48W WARM WHITE dimmable DALI + T16 (G5) 2x39W	2372mm	7,30kg																																											
<b>M2101.0</b>	LED 48W NEUTRAL WHITE dimmable DALI + T16 (G5) 2x39W	2372mm	7,30kg																																												
Luminaire comes complete with DALI power supply unit. *Indirect emission is not dimmable. Upper dust-protection polycarbonate screen is included.																																															

## ALGORITMO LIGHT SOURCES


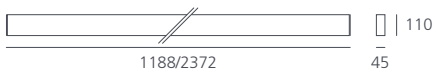

	Fluorescent tube T16 (G5) (1 piece).	
	<b>M004380</b>	39W (3000K).
	<b>M004381</b>	39W (4000K).

## ALGORITMO STAND-ALONE WALL/CEILING LED MONOCHROMATIC DIFFUSER


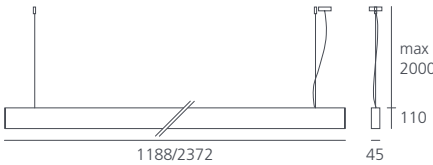





				
	⚡ IP20 850° ○ white <b>2</b> ● bright anodized <b>6</b>			
LED MONOCHROMATIC 	<b>CODE</b>	<b>LIGHT SOURCE</b>	<b>LENGTH</b>	<b>WEIGHT</b>
	<b>M2102.0</b>	LED 30W WARM WHITE dimmable DALI	1188mm	3,80kg
	<b>M2104.0</b>	LED 30W NEUTRAL WHITE dimmable DALI	1188mm	3,80kg
	<b>M2103.0</b>	LED 60W WARM WHITE dimmable DALI	2372mm	7,10kg
	<b>M2105.0</b>	LED 60W NEUTRAL WHITE dimmable DALI	2372mm	7,10kg
Luminaire comes complete with DALI power supply unit.				

photometric data: see page 427.


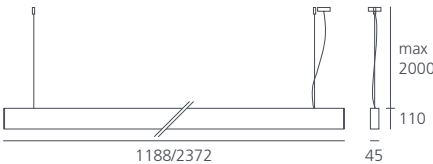





## ALGORITMO STAND-ALONE WALL/CEILING LED MONOCHROMATIC WALL WASHER

				
	⚡ IP20 850° ○ white <b>2</b> ● bright anodized <b>6</b>			
LED MONOCHROMATIC 	<b>CODE</b>	<b>LIGHT SOURCE</b>	<b>LENGTH</b>	<b>WEIGHT</b>
	<b>M2106.0</b>	LED 24W WARM WHITE dimmable DALI	1188mm	3,80kg
	<b>M2108.0</b>	LED 24W NEUTRAL WHITE dimmable DALI	1188mm	3,80kg
	<b>M2107.0</b>	LED 48W WARM WHITE dimmable DALI	2372mm	7,10kg
	<b>M2109.0</b>	LED 48W NEUTRAL WHITE dimmable DALI	2372mm	7,10kg
Luminaire comes complete with DALI power supply unit.				


## ALGORITMO STAND-ALONE SUSPENSION LED RGB DIFFUSER

		 IP20 850°/650°  white <b>2</b>  bright anodized <b>6</b>				
		LED RGB		<b>CODE</b>	<b>LIGHT SOURCE</b>	<b>LENGTH</b>
T16 (G5)		<b>DIRECT LIGHT EMISSION</b>				
		<b>M2074.0</b>	LED RGB 18W with DALI control	1188mm	3,80kg	
		<b>M2075.0</b>	LED RGB 36W with DALI control	2372mm	7,10kg	
		<b>DIRECT + INDIRECT* LIGHT EMISSION</b>				
		<b>M2076.0</b>	LED RGB 18W with DALI control + T16 (G5) 1x39W	1188mm	4,00kg	
		<b>M2077.0</b>	LED RGB 36W with DALI control + T16 (G5) 2x39W	2372mm	7,30kg	
Luminaire comes complete with power-supply and DALI control unit. *Indirect emission is not dimmable. Upper dust-protection polycarbonate screen is included.						




## ALGORITMO STAND-ALONE SUSPENSION LED RGB WALL WASHER

		 IP20 850°/650°  white <b>2</b>  bright anodized <b>6</b>				
		LED RGB		<b>CODE</b>	<b>LIGHT SOURCE</b>	<b>LENGTH</b>
T16 (G5)		<b>DIRECT LIGHT EMISSION</b>				
		<b>M2080.0</b>	LED RGB 39W with DALI control	1188mm	3,80kg	
		<b>M2081.0</b>	LED RGB 78W with DALI control	2372mm	7,10kg	
		<b>DIRECT + INDIRECT* LIGHT EMISSION</b>				
		<b>M2082.0</b>	LED RGB 39W with DALI control + T16 (G5) 1x39W	1188mm	4,00kg	
		<b>M2083.0</b>	LED RGB 78W with DALI control + T16 (G5) 2x39W	2372mm	7,30kg	
Luminaire comes complete with power-supply and DALI control unit. *Indirect emission is not dimmable. Upper dust-protection polycarbonate screen is included.						




## ALGORITMO LIGHT SOURCES

	Fluorescent tube T16 (G5) (1 piece).	
	<b>M004380</b>	39W (3000K).
	<b>M004381</b>	39W (4000K).

## ALGORITMO STAND-ALONE WALL/CEILING LED RGB DIFFUSER

		<input type="checkbox"/> IP20 <input type="checkbox"/> 850° <input type="radio"/> white <b>2</b> <input checked="" type="radio"/> bright anodized <b>6</b>												
			<p>LED RGB</p> 											
<table border="1"> <thead> <tr> <th>CODE</th> <th>LIGHT SOURCE</th> <th>LENGTH</th> <th>WEIGHT</th> </tr> </thead> <tbody> <tr> <td><b>M2078.0</b></td> <td>LED RGB 18W with DALI control</td> <td>1188mm</td> <td>3,80kg</td> </tr> <tr> <td><b>M2079.0</b></td> <td>LED RGB 36W with DALI control</td> <td>2372mm</td> <td>7,10kg</td> </tr> </tbody> </table>		CODE	LIGHT SOURCE	LENGTH	WEIGHT	<b>M2078.0</b>	LED RGB 18W with DALI control	1188mm	3,80kg	<b>M2079.0</b>	LED RGB 36W with DALI control	2372mm	7,10kg	<p>Luminaire comes complete with power-supply and DALI control unit.</p>
CODE	LIGHT SOURCE	LENGTH	WEIGHT											
<b>M2078.0</b>	LED RGB 18W with DALI control	1188mm	3,80kg											
<b>M2079.0</b>	LED RGB 36W with DALI control	2372mm	7,10kg											

## ALGORITMO STAND-ALONE WALL/CEILING LED RGB WALL WASHER

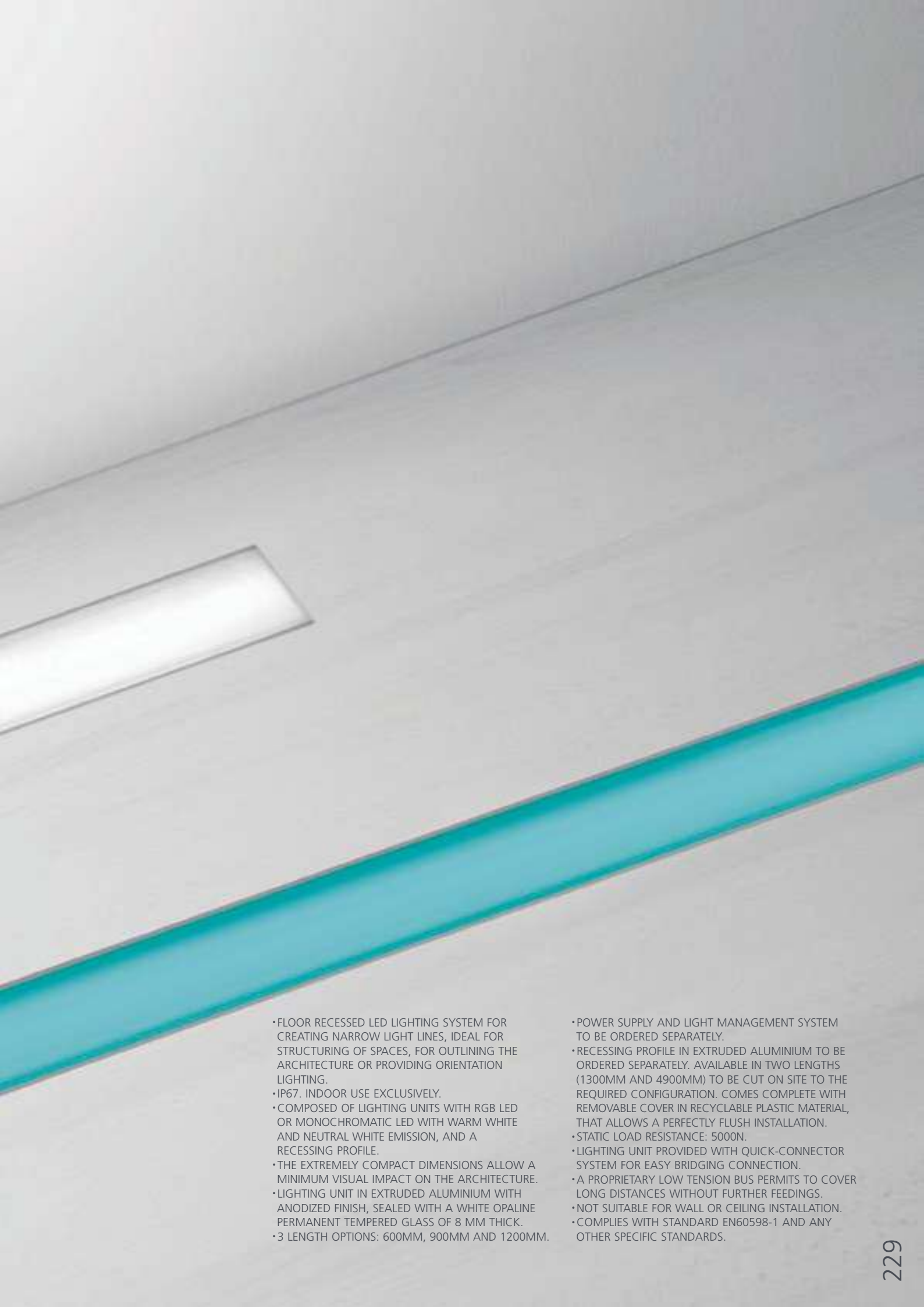
		<input type="checkbox"/> IP20 <input type="checkbox"/> 850° <input type="radio"/> white <b>2</b> <input checked="" type="radio"/> bright anodized <b>6</b>												
			<p>LED RGB</p> 											
<table border="1"> <thead> <tr> <th>CODE</th> <th>LIGHT SOURCE</th> <th>LENGTH</th> <th>WEIGHT</th> </tr> </thead> <tbody> <tr> <td><b>M2084.0</b></td> <td>LED RGB 39W with DALI control</td> <td>1188mm</td> <td>3,80kg</td> </tr> <tr> <td><b>M2085.0</b></td> <td>LED RGB 78W with DALI control</td> <td>2372mm</td> <td>7,10kg</td> </tr> </tbody> </table>		CODE	LIGHT SOURCE	LENGTH	WEIGHT	<b>M2084.0</b>	LED RGB 39W with DALI control	1188mm	3,80kg	<b>M2085.0</b>	LED RGB 78W with DALI control	2372mm	7,10kg	<p>Luminaire comes complete with power-supply and DALI control unit.</p>
CODE	LIGHT SOURCE	LENGTH	WEIGHT											
<b>M2084.0</b>	LED RGB 39W with DALI control	1188mm	3,80kg											
<b>M2085.0</b>	LED RGB 78W with DALI control	2372mm	7,10kg											



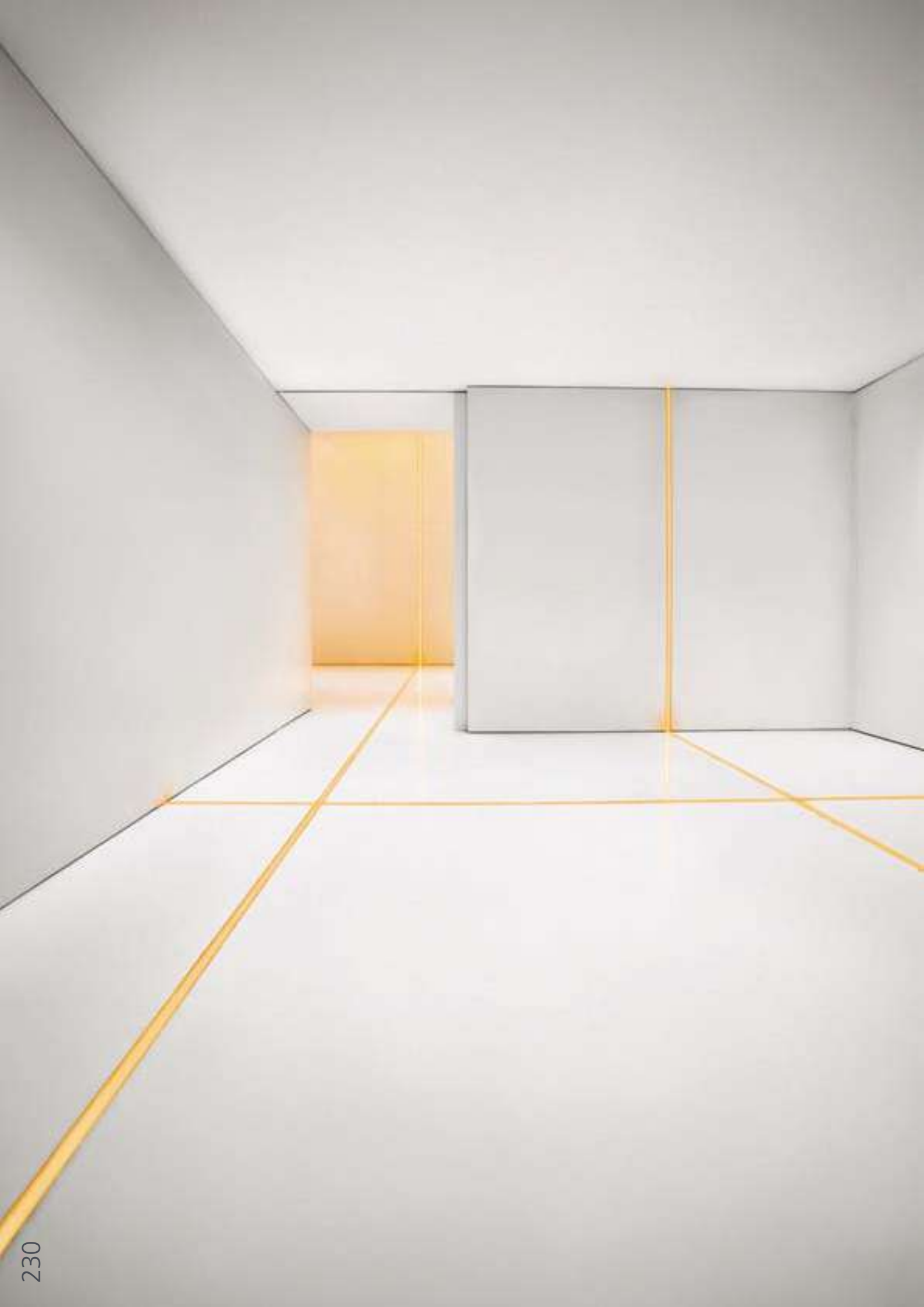
# ALGORITMO FLOOR

design CARLOTTA DE BEVILACQUA & PAOLA DI ARIANELLO


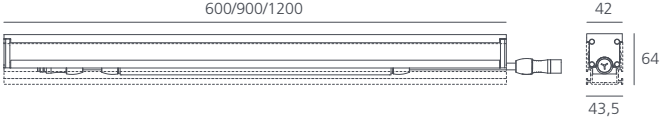
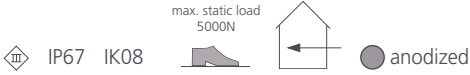









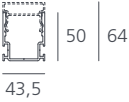

- FLOOR RECESSED LED LIGHTING SYSTEM FOR CREATING NARROW LIGHT LINES, IDEAL FOR STRUCTURING OF SPACES, FOR OUTLINING THE ARCHITECTURE OR PROVIDING ORIENTATION LIGHTING.
- IP67. INDOOR USE EXCLUSIVELY.
- COMPOSED OF LIGHTING UNITS WITH RGB LED OR MONOCHROMATIC LED WITH WARM WHITE AND NEUTRAL WHITE EMISSION, AND A RECESSING PROFILE.
- THE EXTREMELY COMPACT DIMENSIONS ALLOW A MINIMUM VISUAL IMPACT ON THE ARCHITECTURE.
- LIGHTING UNIT IN EXTRUDED ALUMINIUM WITH ANODIZED FINISH, SEALED WITH A WHITE OPALINE PERMANENT TEMPERED GLASS OF 8 MM THICK.
- 3 LENGTH OPTIONS: 600MM, 900MM AND 1200MM.
- POWER SUPPLY AND LIGHT MANAGEMENT SYSTEM TO BE ORDERED SEPARATELY.
- RECESSING PROFILE IN EXTRUDED ALUMINIUM TO BE ORDERED SEPARATELY. AVAILABLE IN TWO LENGTHS (1300MM AND 4900MM) TO BE CUT ON SITE TO THE REQUIRED CONFIGURATION. COMES COMPLETE WITH REMOVABLE COVER IN RECYCLABLE PLASTIC MATERIAL, THAT ALLOWS A PERFECTLY FLUSH INSTALLATION.
- STATIC LOAD RESISTANCE: 5000N.
- LIGHTING UNIT PROVIDED WITH QUICK-CONNECTOR SYSTEM FOR EASY BRIDGING CONNECTION.
- A PROPRIETARY LOW TENSION BUS PERMITS TO COVER LONG DISTANCES WITHOUT FURTHER FEEDINGS.
- NOT SUITABLE FOR WALL OR CEILING INSTALLATION.
- COMPLIES WITH STANDARD EN60598-1 AND ANY OTHER SPECIFIC STANDARDS.






## ALGORITMO FLOOR LIGHTING UNIT

																																										
																																										
LED MONOCHROMATIC  LED RGB 	<table border="1"> <thead> <tr> <th>CODE</th> <th>LIGHT SOURCE</th> <th>LENGTH</th> <th>WEIGHT</th> </tr> </thead> <tbody> <tr> <td><b>M220000</b></td> <td>LED RGB 9W</td> <td>600mm</td> <td>1,30kg</td> </tr> <tr> <td><b>M220100</b></td> <td>LED RGB 13,5W</td> <td>900mm</td> <td>1,90kg</td> </tr> <tr> <td><b>M220200</b></td> <td>LED RGB 18W</td> <td>1200mm</td> <td>2,50kg</td> </tr> <tr> <td><b>M220300</b></td> <td>LED MONOCHROMATIC 4,8W WARM WHITE</td> <td>600mm</td> <td>1,30kg</td> </tr> <tr> <td><b>M220400</b></td> <td>LED MONOCHROMATIC 4,8W NEUTRAL WHITE</td> <td>600mm</td> <td>1,90kg</td> </tr> <tr> <td><b>M220500</b></td> <td>LED MONOCHROMATIC 7,2W WARM WHITE</td> <td>900mm</td> <td>2,50kg</td> </tr> <tr> <td><b>M220600</b></td> <td>LED MONOCHROMATIC 7,2W NEUTRAL WHITE</td> <td>900mm</td> <td>1,30kg</td> </tr> <tr> <td><b>M220700</b></td> <td>LED MONOCHROMATIC 9,6W WARM WHITE</td> <td>1200mm</td> <td>1,90kg</td> </tr> <tr> <td><b>M220800</b></td> <td>LED MONOCHROMATIC 9,6W NEUTRAL WHITE</td> <td>1200mm</td> <td>2,50kg</td> </tr> </tbody> </table>	CODE	LIGHT SOURCE	LENGTH	WEIGHT	<b>M220000</b>	LED RGB 9W	600mm	1,30kg	<b>M220100</b>	LED RGB 13,5W	900mm	1,90kg	<b>M220200</b>	LED RGB 18W	1200mm	2,50kg	<b>M220300</b>	LED MONOCHROMATIC 4,8W WARM WHITE	600mm	1,30kg	<b>M220400</b>	LED MONOCHROMATIC 4,8W NEUTRAL WHITE	600mm	1,90kg	<b>M220500</b>	LED MONOCHROMATIC 7,2W WARM WHITE	900mm	2,50kg	<b>M220600</b>	LED MONOCHROMATIC 7,2W NEUTRAL WHITE	900mm	1,30kg	<b>M220700</b>	LED MONOCHROMATIC 9,6W WARM WHITE	1200mm	1,90kg	<b>M220800</b>	LED MONOCHROMATIC 9,6W NEUTRAL WHITE	1200mm	2,50kg	
CODE	LIGHT SOURCE	LENGTH	WEIGHT																																							
<b>M220000</b>	LED RGB 9W	600mm	1,30kg																																							
<b>M220100</b>	LED RGB 13,5W	900mm	1,90kg																																							
<b>M220200</b>	LED RGB 18W	1200mm	2,50kg																																							
<b>M220300</b>	LED MONOCHROMATIC 4,8W WARM WHITE	600mm	1,30kg																																							
<b>M220400</b>	LED MONOCHROMATIC 4,8W NEUTRAL WHITE	600mm	1,90kg																																							
<b>M220500</b>	LED MONOCHROMATIC 7,2W WARM WHITE	900mm	2,50kg																																							
<b>M220600</b>	LED MONOCHROMATIC 7,2W NEUTRAL WHITE	900mm	1,30kg																																							
<b>M220700</b>	LED MONOCHROMATIC 9,6W WARM WHITE	1200mm	1,90kg																																							
<b>M220800</b>	LED MONOCHROMATIC 9,6W NEUTRAL WHITE	1200mm	2,50kg																																							

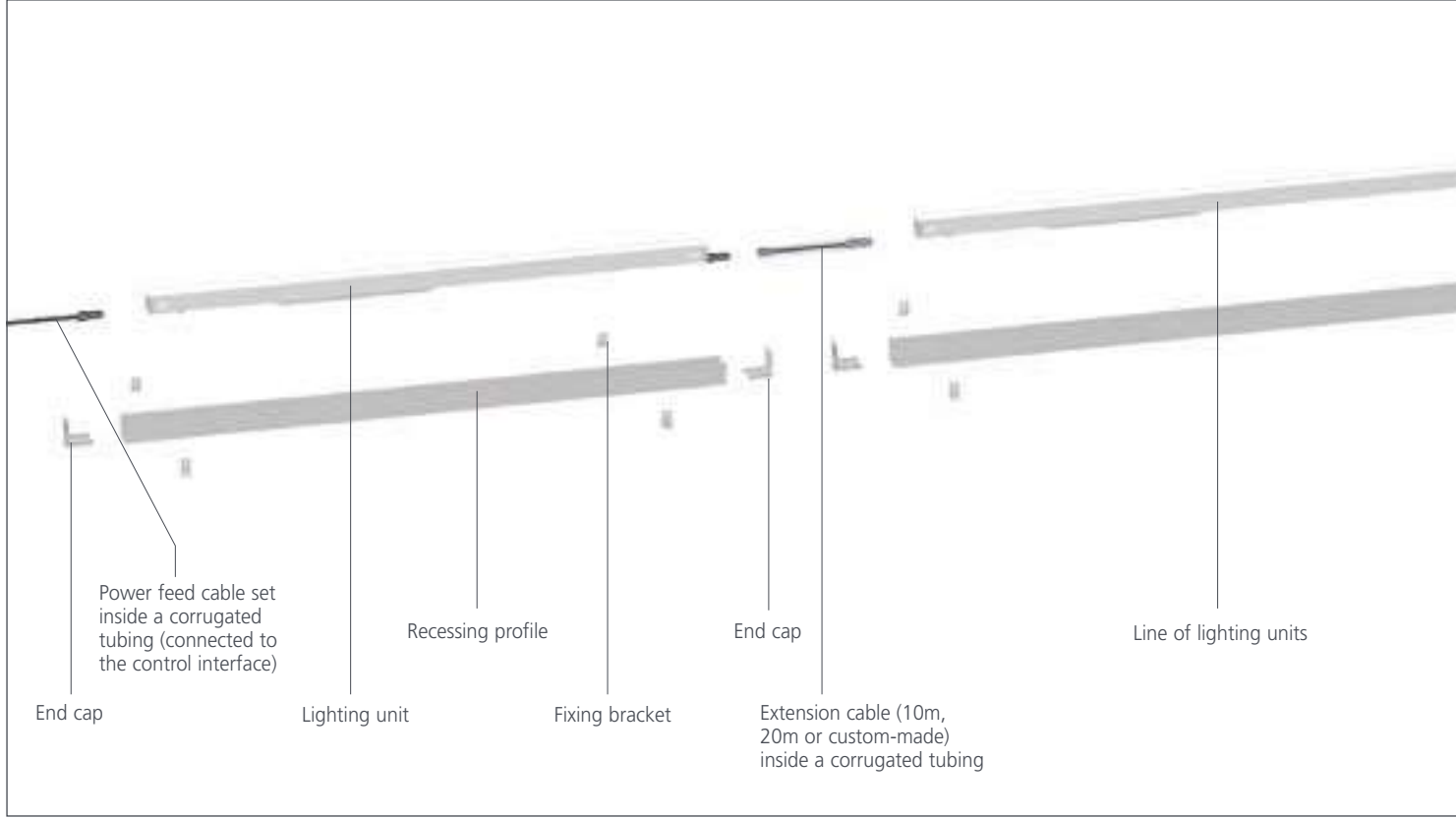
## ALGORITMO FLOOR RECESSING COMPONENTS

	Recessing profile in extruded aluminium. Can be cut on site to the required length.  <b>M221000</b> Length 1300mm. <b>M221100</b> Length 4900mm.		<b>M221400</b> Fixing bracket (set of 4) in stainless steel. Can slide along the profile for easy positioning and installation. Height adjustment ranging 22mm.
		<b>M221500</b> Straight mechanical connector (set of 2) in stainless steel. For the mechanical connection of the recessing profiles.	
	<b>M221300</b> End cap (set of 2) in aluminium.		

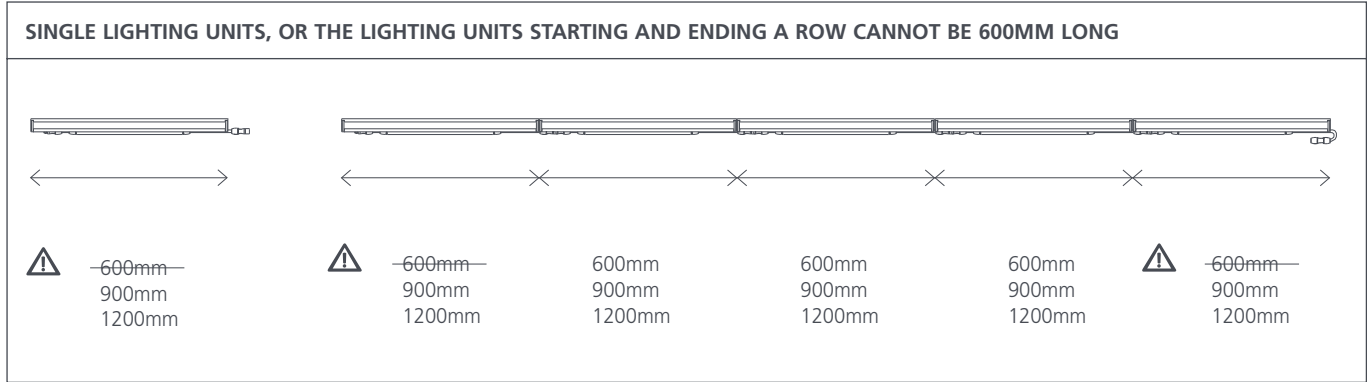
## ALGORITMO FLOOR ELECTRICAL COMPONENTS

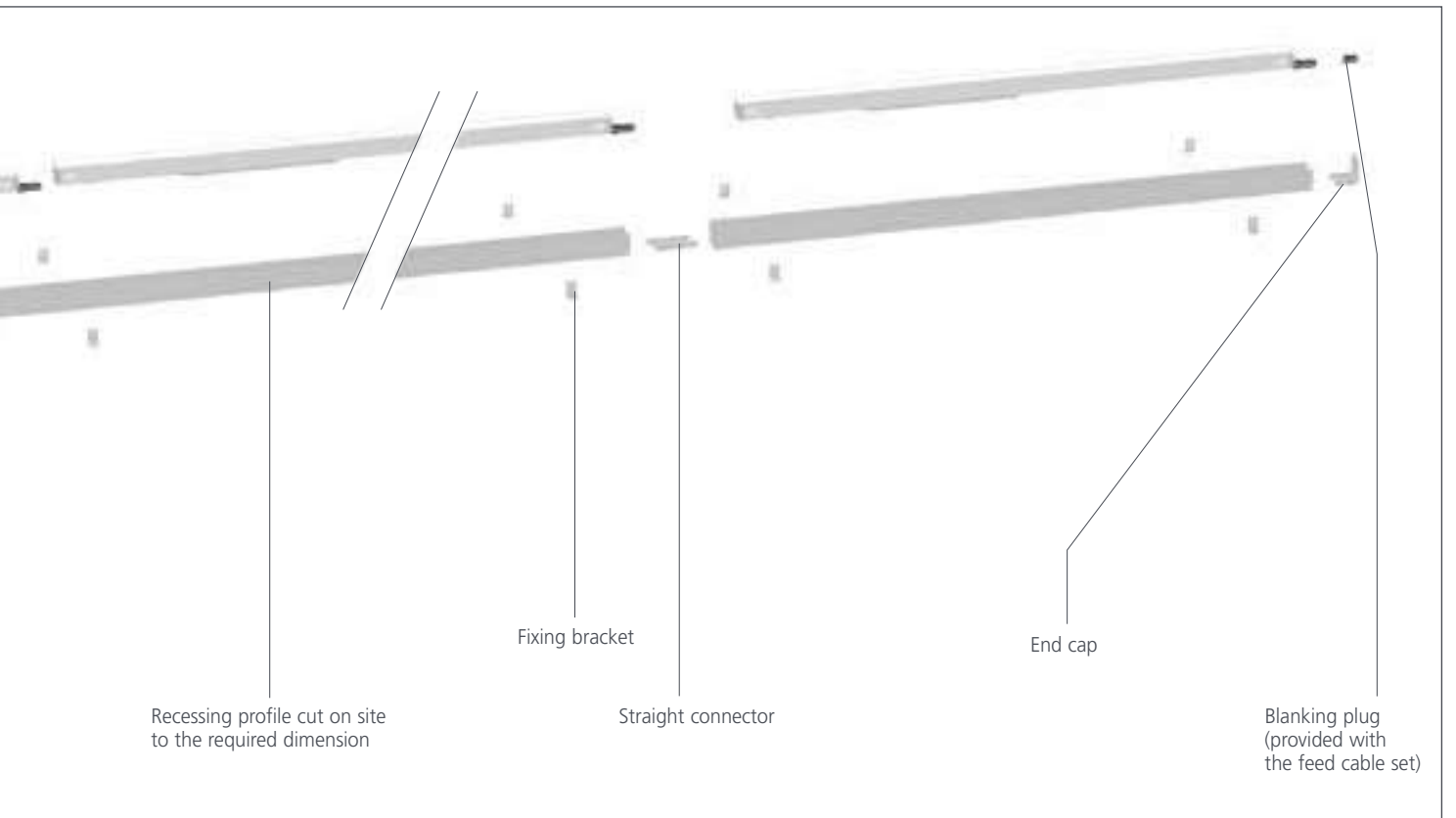
	<b>M221600</b> Power feed cable set. Consists of one 5m long power feed cable (3x0,75mm <sup>2</sup> ) for connecting the first luminaire to the control interface, + 1 blanking plug for sealing the last luminaire of the row.		<b>M221900</b> Electrical connector for coupling wall-surface or wall-recessed-mounted LED modules of ALGORITMO SYSTEM with floor-recessed modules of ALGORITMO FLOOR, powered through the same shared electrical circuit.
	Extension cable 3x0,75mm <sup>2</sup> .  <b>M221700</b> Length 10m. <b>M221800</b> Length 20m.		LED power-supply units and control systems: see page 235.

# ALGORITMO FLOOR INSTALLATION




## ALGORITMO FLOOR INSTALLATION: PARTICULARITIES



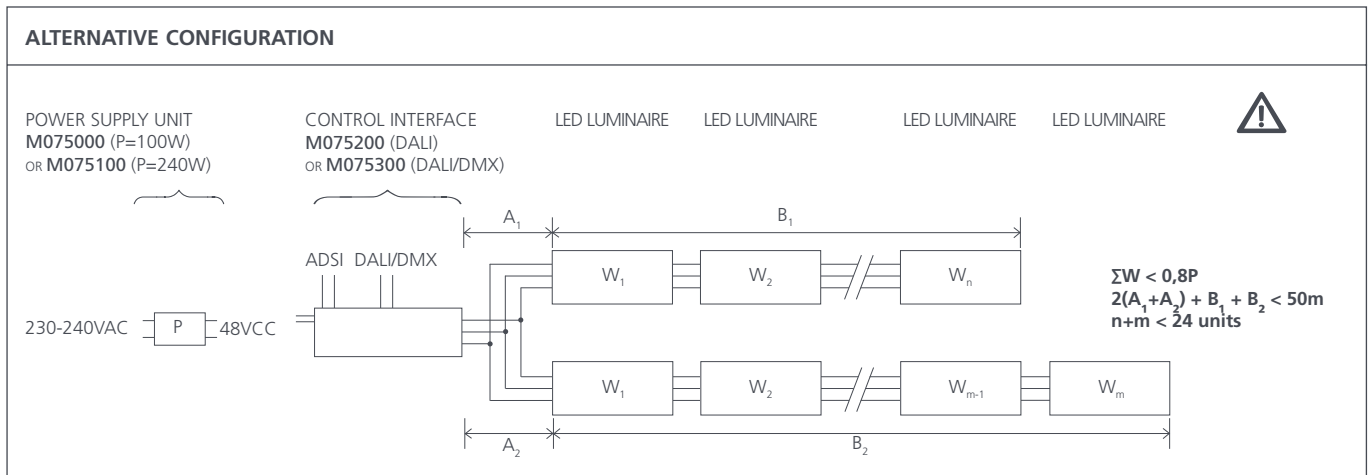
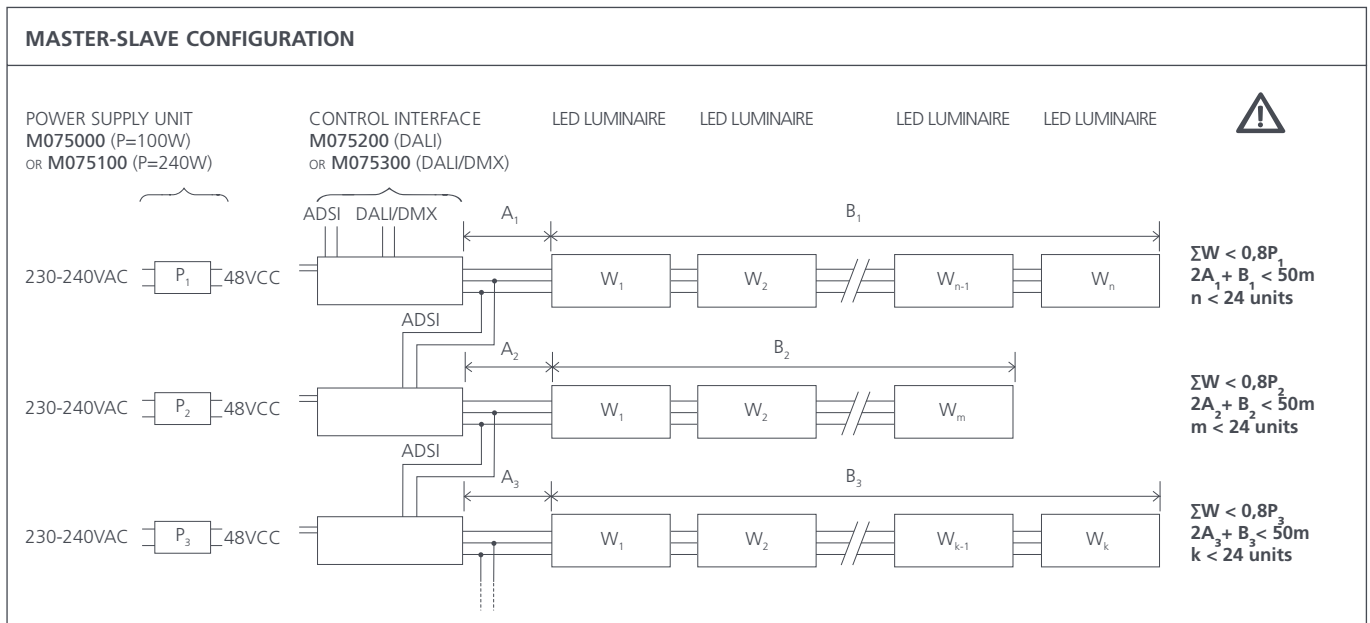
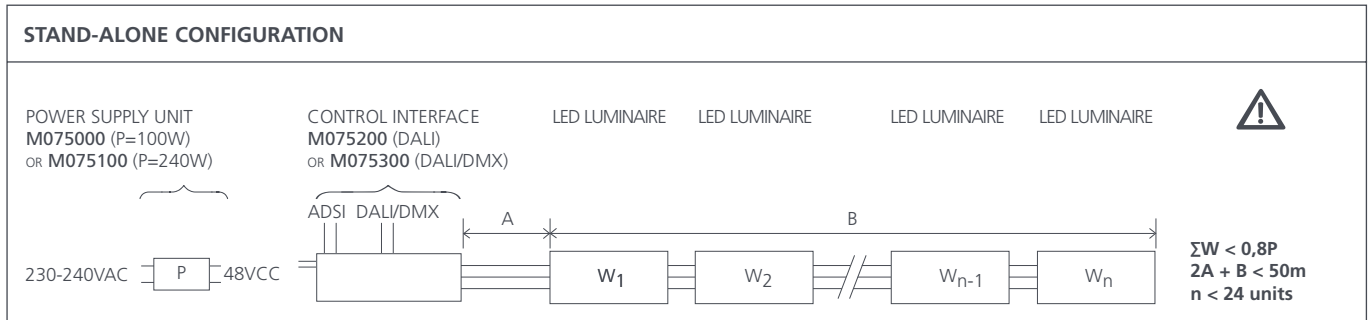




# ALGORITMO LED POWER-SUPPLY AND CONTROL SYSTEMS

	<p>Electronic power supply. IP67. Input voltage range: 90-264VAC / 47-63Hz. Output voltage: 48VDC. Protection against overcurrent, overvoltage, short-circuit and overtemperature, with automatic restart.</p>		<p>Control interface. For managing groups of <b>ALGORITMO SYSTEM</b> and/or <b>ALGORITMO FLOOR</b> lighting units. Integrated sequencer for "stand-alone" operation with pre-defined colour sequence. Possibility of master-slave configuration (see <i>connection drawings below</i>). Power-supply units and lighting management systems to be ordered separately (see <i>instructions for use</i>).</p>
	<p><b>M075000</b> 100W. For feeding up to a total 90W. 220x68x38mm.</p> <p><b>M075100</b> 240W. For feeding up to a total 225W. 244x68x39mm.</p>		<p><b>M075200</b> IP67. Compatible DALI. 252x162x90mm.</p> <p><b>M075300</b> IP67. Compatible DALI+DMX. 252x162x90mm.</p> <p><b>M075400</b> IP20. Compatible DALI. Suitable for DIN rail mounting. 106x90x70mm.</p> <p><b>M075500</b> IP20. Compatible DALI + DMX. Suitable for DIN rail mounting. 106x90x70mm.</p>

## ALGORITMO LED CONTROL: WIRING SCHEME



# NOTHING 86 SYSTEM


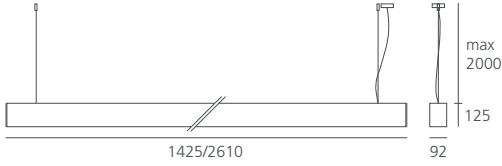
design ERNESTO GISMONDI






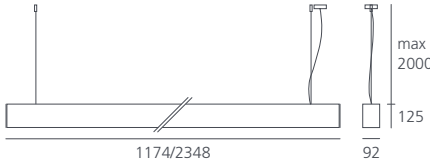
- A VERSATILE MODULAR LIGHTING SYSTEM FOR LINEAR DIFFUSED OR DARK LIGHT EMISSION AND FREELY CONFIGURABLE ACCENT LIGHTING.
- COMPOSED OF STRUCTURAL MODULES IN EXTRUDED ALUMINIUM, PREWIRED GEAR PLATES AND OPTICS SYSTEMS.
- 3 TYPES OF INSTALLATION: RECESSED, SURFACE MOUNTING AND SUSPENDED.
- STRUCTURAL MODULES AVAILABLE IN 12 DIFFERENT LENGTHS OF UP TO 4736MM, SPECIALLY DESIGNED TO ALLOW THE LIGHTING DESIGNER TO ALTERNATE AS FREELY AS POSSIBLE DIFFERENT LIGHT SOURCES. THE LIGHTING SEQUENCE CAN ALSO EVOLVE OVER TIME TO MEET NEW ARRANGEMENTS, AS LONG AS IT REMAINS COMPATIBLE WITH THE INITIAL TOTAL LENGTH INSTALLED.
- LINEAR FLUORESCENT, LED AND METAL HALIDE TECHNOLOGIES CAN BE FREELY ALTERNATED.
- PRE-WIRED GEAR PLATES WITH QUICK-CONNECTORS, WITH DIRECT FLUORESCENT OR LED LIGHTING EQUIPMENT, AND INDIRECT FLUORESCENT ILLUMINATION.
- 2 OPTIONS OF FLUORESCENT DIFFUSED LIGHTING AVAILABLE: T16-SEAMLESS LAMPS OR CONVENTIONAL T16 LAMPS WITH OVERLAPPING ARRANGEMENT FOR UNINTERRUPTED LIGHT LINES WITHOUT DARK SPOTS.
- 2 LED EQUIPMENT OPTIONS: MONOCHROMATIC WITH WARM WHITE OR NEUTRAL WHITE EMISSION, AND RGB.
- ANGULAR CONFIGURATIONS POSSIBLE BY MEANS OF JUNCTION ANGLES ON THE SAME PLANE OR ON 2 PERPENDICULAR PLANES (ON REQUEST).
- SIMPLE INSTALLATIONS CAN BE MANAGED WITH "ALL-IN-ONE" FIXTURES (NOTHING 86 STAND-ALONE) ALREADY PRE-CONFIGURED AND FULLY ACCESSORIZED.
- COMPLIES WITH STANDARD EN60598-1 AND OTHER SPECIFIC STANDARDS.

## NOTHING 86 SYSTEM STAND-ALONE SUSPENSION FLUO DIFFUSER

																																			
	<p>⊕ IP20 650° ○ white <b>2</b> ● anodized <b>6</b></p>																																		
<p>T16 (G5)</p>	<table border="1"> <thead> <tr> <th>CODE</th> <th>LIGHT SOURCE</th> <th>LENGTH</th> </tr> </thead> <tbody> <tr> <td colspan="3"><b>DIRECT LIGHT EMISSION</b></td> </tr> <tr> <td><b>M2265.0</b></td> <td>T16 (G5) 2x54W non dimmable</td> <td>1425mm</td> </tr> <tr> <td><b>M2265.1</b></td> <td>T16 (G5) 2x28-54W dimmable DALI</td> <td>1425mm</td> </tr> <tr> <td><b>M2266.0</b></td> <td>T16 (G5) 4x54W non dimmable</td> <td>2610mm</td> </tr> <tr> <td><b>M2266.1</b></td> <td>T16 (G5) 4x28-54W dimmable DALI</td> <td>2610mm</td> </tr> <tr> <td colspan="3"><b>DIRECT + INDIRECT* LIGHT EMISSION</b></td> </tr> <tr> <td><b>M2267.0</b></td> <td>T16 (G5) 2x54W non dimmable + T16 (G5) 1x39W</td> <td>1425mm</td> </tr> <tr> <td><b>M2267.1</b></td> <td>T16 (G5) 2x28-54W dimmable DALI + T16 (G5) 1x39W</td> <td>1425mm</td> </tr> <tr> <td><b>M2268.0</b></td> <td>T16 (G5) 4x54W non dimmable + T16 (G5) 2x39W</td> <td>2610mm</td> </tr> <tr> <td><b>M2268.1</b></td> <td>T16 (G5) 4x28-54W dimmable DALI + T16 (G5) 2x39W</td> <td>2610mm</td> </tr> </tbody> </table>		CODE	LIGHT SOURCE	LENGTH	<b>DIRECT LIGHT EMISSION</b>			<b>M2265.0</b>	T16 (G5) 2x54W non dimmable	1425mm	<b>M2265.1</b>	T16 (G5) 2x28-54W dimmable DALI	1425mm	<b>M2266.0</b>	T16 (G5) 4x54W non dimmable	2610mm	<b>M2266.1</b>	T16 (G5) 4x28-54W dimmable DALI	2610mm	<b>DIRECT + INDIRECT* LIGHT EMISSION</b>			<b>M2267.0</b>	T16 (G5) 2x54W non dimmable + T16 (G5) 1x39W	1425mm	<b>M2267.1</b>	T16 (G5) 2x28-54W dimmable DALI + T16 (G5) 1x39W	1425mm	<b>M2268.0</b>	T16 (G5) 4x54W non dimmable + T16 (G5) 2x39W	2610mm	<b>M2268.1</b>	T16 (G5) 4x28-54W dimmable DALI + T16 (G5) 2x39W	2610mm
	CODE	LIGHT SOURCE	LENGTH																																
	<b>DIRECT LIGHT EMISSION</b>																																		
	<b>M2265.0</b>	T16 (G5) 2x54W non dimmable	1425mm																																
	<b>M2265.1</b>	T16 (G5) 2x28-54W dimmable DALI	1425mm																																
	<b>M2266.0</b>	T16 (G5) 4x54W non dimmable	2610mm																																
	<b>M2266.1</b>	T16 (G5) 4x28-54W dimmable DALI	2610mm																																
	<b>DIRECT + INDIRECT* LIGHT EMISSION</b>																																		
	<b>M2267.0</b>	T16 (G5) 2x54W non dimmable + T16 (G5) 1x39W	1425mm																																
	<b>M2267.1</b>	T16 (G5) 2x28-54W dimmable DALI + T16 (G5) 1x39W	1425mm																																
	<b>M2268.0</b>	T16 (G5) 4x54W non dimmable + T16 (G5) 2x39W	2610mm																																
<b>M2268.1</b>	T16 (G5) 4x28-54W dimmable DALI + T16 (G5) 2x39W	2610mm																																	
<p>*Indirect emission is not dimmable. Upper dust-protection polycarbonate screen is included.</p>																																			


photometric data: see page 434.

## NOTHING 86 SYSTEM STAND-ALONE SUSPENSION FLUO DARK LIGHT

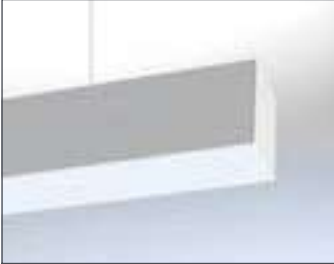
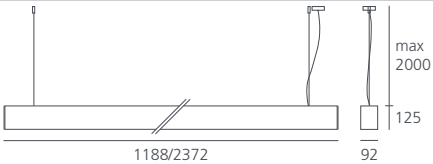


																																			
	<p>⊕ IP20 850° ○ white <b>2</b> ● anodized <b>6</b></p>																																		
<p>T16 (G5)</p>	<table border="1"> <thead> <tr> <th>CODE</th> <th>LIGHT SOURCE</th> <th>LENGTH</th> </tr> </thead> <tbody> <tr> <td colspan="3"><b>DIRECT LIGHT EMISSION</b></td> </tr> <tr> <td><b>M2269.0</b></td> <td>T16 (G5) 1x54W non dimmable</td> <td>1174mm</td> </tr> <tr> <td><b>M2269.1</b></td> <td>T16 (G5) 1x28-54W dimmable DALI</td> <td>1174mm</td> </tr> <tr> <td><b>M2270.0</b></td> <td>T16 (G5) 2x54W non dimmable</td> <td>2348mm</td> </tr> <tr> <td><b>M2270.1</b></td> <td>T16 (G5) 2x28-54W dimmable DALI</td> <td>2348mm</td> </tr> <tr> <td colspan="3"><b>DIRECT + INDIRECT* LIGHT EMISSION</b></td> </tr> <tr> <td><b>M2271.0</b></td> <td>T16 (G5) 1x54W non dimmable + T16 (G5) 1x39W</td> <td>1174mm</td> </tr> <tr> <td><b>M2271.1</b></td> <td>T16 (G5) 1x28-54W dimmable DALI + T16 (G5) 1x39W</td> <td>1174mm</td> </tr> <tr> <td><b>M2272.0</b></td> <td>T16 (G5) 2x54W non dimmable + T16 (G5) 2x39W</td> <td>2348mm</td> </tr> <tr> <td><b>M2272.1</b></td> <td>T16 (G5) 2x28-54W dimmable DALI + T16 (G5) 2x39W</td> <td>2348mm</td> </tr> </tbody> </table>		CODE	LIGHT SOURCE	LENGTH	<b>DIRECT LIGHT EMISSION</b>			<b>M2269.0</b>	T16 (G5) 1x54W non dimmable	1174mm	<b>M2269.1</b>	T16 (G5) 1x28-54W dimmable DALI	1174mm	<b>M2270.0</b>	T16 (G5) 2x54W non dimmable	2348mm	<b>M2270.1</b>	T16 (G5) 2x28-54W dimmable DALI	2348mm	<b>DIRECT + INDIRECT* LIGHT EMISSION</b>			<b>M2271.0</b>	T16 (G5) 1x54W non dimmable + T16 (G5) 1x39W	1174mm	<b>M2271.1</b>	T16 (G5) 1x28-54W dimmable DALI + T16 (G5) 1x39W	1174mm	<b>M2272.0</b>	T16 (G5) 2x54W non dimmable + T16 (G5) 2x39W	2348mm	<b>M2272.1</b>	T16 (G5) 2x28-54W dimmable DALI + T16 (G5) 2x39W	2348mm
	CODE	LIGHT SOURCE	LENGTH																																
	<b>DIRECT LIGHT EMISSION</b>																																		
	<b>M2269.0</b>	T16 (G5) 1x54W non dimmable	1174mm																																
	<b>M2269.1</b>	T16 (G5) 1x28-54W dimmable DALI	1174mm																																
	<b>M2270.0</b>	T16 (G5) 2x54W non dimmable	2348mm																																
	<b>M2270.1</b>	T16 (G5) 2x28-54W dimmable DALI	2348mm																																
	<b>DIRECT + INDIRECT* LIGHT EMISSION</b>																																		
	<b>M2271.0</b>	T16 (G5) 1x54W non dimmable + T16 (G5) 1x39W	1174mm																																
	<b>M2271.1</b>	T16 (G5) 1x28-54W dimmable DALI + T16 (G5) 1x39W	1174mm																																
	<b>M2272.0</b>	T16 (G5) 2x54W non dimmable + T16 (G5) 2x39W	2348mm																																
<b>M2272.1</b>	T16 (G5) 2x28-54W dimmable DALI + T16 (G5) 2x39W	2348mm																																	
<p>*Indirect emission is not dimmable. Upper dust-protection polycarbonate screen is included.</p>																																			

photometric data: see page 434.


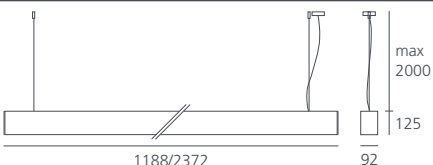


## NOTHING 86 SYSTEM LIGHT SOURCES

	<p>Fluorescent tube T16 (G5) (1 piece).</p>	
	<b>M004380</b>	39W (3000K).
	<b>M004381</b>	39W (4000K).



## NOTHING 86 SYSTEM STAND-ALONE SUSPENSION LED MONOCHROMATIC DIFFUSER

																																		
	<p>⊕ IP20 850° ○ white <b>2</b> ● anodized <b>6</b></p>																																	
<p>LED MONOCHROMATIC</p>  <p>T16 (G5)</p> 	<table border="1"> <thead> <tr> <th>CODE</th> <th>LIGHT SOURCE</th> <th>LENGTH</th> </tr> </thead> <tbody> <tr> <td colspan="3"><b>DIRECT LIGHT EMISSION</b></td> </tr> <tr> <td><b>M2273.0</b></td> <td>LED 30W WARM WHITE dimmable DALI</td> <td>1188mm</td> </tr> <tr> <td><b>M2274.0</b></td> <td>LED 30W NEUTRAL WHITE dimmable DALI</td> <td>1188mm</td> </tr> <tr> <td><b>M2275.0</b></td> <td>LED 60W WARM WHITE dimmable DALI</td> <td>2372mm</td> </tr> <tr> <td><b>M2276.0</b></td> <td>LED 60W NEUTRAL WHITE dimmable DALI</td> <td>2372mm</td> </tr> <tr> <td colspan="3"><b>DIRECT + INDIRECT* LIGHT EMISSION</b></td> </tr> <tr> <td><b>M2277.0</b></td> <td>LED 30W WARM WHITE dimmable DALI + T16 (G5) 1x39W</td> <td>1188mm</td> </tr> <tr> <td><b>M2278.0</b></td> <td>LED 30W NEUTRAL WHITE dimmable DALI + T16 (G5) 1x39W</td> <td>1188mm</td> </tr> <tr> <td><b>M2279.0</b></td> <td>LED 60W WARM WHITE dimmable DALI + T16 (G5) 2x39W</td> <td>2372mm</td> </tr> <tr> <td><b>M2280.0</b></td> <td>LED 60W NEUTRAL WHITE dimmable DALI + T16 (G5) 2x39W</td> <td>2372mm</td> </tr> </tbody> </table> <p>Luminaire comes complete with DALI power supply unit. *Indirect emission is not dimmable. Upper dust-protection polycarbonate screen is included.</p>	CODE	LIGHT SOURCE	LENGTH	<b>DIRECT LIGHT EMISSION</b>			<b>M2273.0</b>	LED 30W WARM WHITE dimmable DALI	1188mm	<b>M2274.0</b>	LED 30W NEUTRAL WHITE dimmable DALI	1188mm	<b>M2275.0</b>	LED 60W WARM WHITE dimmable DALI	2372mm	<b>M2276.0</b>	LED 60W NEUTRAL WHITE dimmable DALI	2372mm	<b>DIRECT + INDIRECT* LIGHT EMISSION</b>			<b>M2277.0</b>	LED 30W WARM WHITE dimmable DALI + T16 (G5) 1x39W	1188mm	<b>M2278.0</b>	LED 30W NEUTRAL WHITE dimmable DALI + T16 (G5) 1x39W	1188mm	<b>M2279.0</b>	LED 60W WARM WHITE dimmable DALI + T16 (G5) 2x39W	2372mm	<b>M2280.0</b>	LED 60W NEUTRAL WHITE dimmable DALI + T16 (G5) 2x39W	2372mm
CODE	LIGHT SOURCE	LENGTH																																
<b>DIRECT LIGHT EMISSION</b>																																		
<b>M2273.0</b>	LED 30W WARM WHITE dimmable DALI	1188mm																																
<b>M2274.0</b>	LED 30W NEUTRAL WHITE dimmable DALI	1188mm																																
<b>M2275.0</b>	LED 60W WARM WHITE dimmable DALI	2372mm																																
<b>M2276.0</b>	LED 60W NEUTRAL WHITE dimmable DALI	2372mm																																
<b>DIRECT + INDIRECT* LIGHT EMISSION</b>																																		
<b>M2277.0</b>	LED 30W WARM WHITE dimmable DALI + T16 (G5) 1x39W	1188mm																																
<b>M2278.0</b>	LED 30W NEUTRAL WHITE dimmable DALI + T16 (G5) 1x39W	1188mm																																
<b>M2279.0</b>	LED 60W WARM WHITE dimmable DALI + T16 (G5) 2x39W	2372mm																																
<b>M2280.0</b>	LED 60W NEUTRAL WHITE dimmable DALI + T16 (G5) 2x39W	2372mm																																

## NOTHING 86 SYSTEM STAND-ALONE SUSPENSION LED RGB DIFFUSER


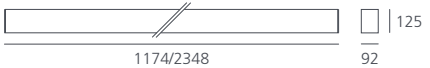
																						
	<p>⊕ IP20 850° ○ white <b>2</b> ● anodized <b>6</b></p>																					
<p>LED RGB</p>  <p>T16 (G5)</p> 	<table border="1"> <thead> <tr> <th>CODE</th> <th>LIGHT SOURCE</th> <th>LENGTH</th> </tr> </thead> <tbody> <tr> <td colspan="3"><b>DIRECT LIGHT EMISSION</b></td> </tr> <tr> <td><b>M2281.0</b></td> <td>LED RGB 18W with DALI control</td> <td>1188mm</td> </tr> <tr> <td><b>M2282.0</b></td> <td>LED RGB 36W with DALI control</td> <td>2372mm</td> </tr> <tr> <td colspan="3"><b>DIRECT + INDIRECT* LIGHT EMISSION</b></td> </tr> <tr> <td><b>M2283.0</b></td> <td>LED RGB 18W with DALI control + T16 (G5) 1x39W</td> <td>1188mm</td> </tr> <tr> <td><b>M2284.0</b></td> <td>LED RGB 36W with DALI control + T16 (G5) 2x39W</td> <td>2372mm</td> </tr> </tbody> </table> <p>Luminaire comes complete with power supply and DALI control unit . *Indirect emission is not dimmable. Upper dust-protection polycarbonate screen is included.</p>	CODE	LIGHT SOURCE	LENGTH	<b>DIRECT LIGHT EMISSION</b>			<b>M2281.0</b>	LED RGB 18W with DALI control	1188mm	<b>M2282.0</b>	LED RGB 36W with DALI control	2372mm	<b>DIRECT + INDIRECT* LIGHT EMISSION</b>			<b>M2283.0</b>	LED RGB 18W with DALI control + T16 (G5) 1x39W	1188mm	<b>M2284.0</b>	LED RGB 36W with DALI control + T16 (G5) 2x39W	2372mm
CODE	LIGHT SOURCE	LENGTH																				
<b>DIRECT LIGHT EMISSION</b>																						
<b>M2281.0</b>	LED RGB 18W with DALI control	1188mm																				
<b>M2282.0</b>	LED RGB 36W with DALI control	2372mm																				
<b>DIRECT + INDIRECT* LIGHT EMISSION</b>																						
<b>M2283.0</b>	LED RGB 18W with DALI control + T16 (G5) 1x39W	1188mm																				
<b>M2284.0</b>	LED RGB 36W with DALI control + T16 (G5) 2x39W	2372mm																				

## NOTHING 86 SYSTEM STAND-ALONE CEILING FLUO DIFFUSER

																	
	<p>⊕ IP20 850° ○ white <b>2</b> ● anodized <b>6</b></p>																
T16 (G5)	<table border="1"> <thead> <tr> <th>CODE</th> <th>LIGHT SOURCE</th> <th>LENGTH</th> </tr> </thead> <tbody> <tr> <td><b>M2285.0</b></td> <td>T16 (G5) 2x54W non dimmable</td> <td>1425mm</td> </tr> <tr> <td><b>M2285.1</b></td> <td>T16 (G5) 2x28-54W dimmable DALI</td> <td>1425mm</td> </tr> <tr> <td><b>M2286.0</b></td> <td>T16 (G5) 4x54W non dimmable</td> <td>2610mm</td> </tr> <tr> <td><b>M2286.1</b></td> <td>T16 (G5) 4x28-54W dimmable DALI</td> <td>2610mm</td> </tr> </tbody> </table>		CODE	LIGHT SOURCE	LENGTH	<b>M2285.0</b>	T16 (G5) 2x54W non dimmable	1425mm	<b>M2285.1</b>	T16 (G5) 2x28-54W dimmable DALI	1425mm	<b>M2286.0</b>	T16 (G5) 4x54W non dimmable	2610mm	<b>M2286.1</b>	T16 (G5) 4x28-54W dimmable DALI	2610mm
	CODE	LIGHT SOURCE	LENGTH														
	<b>M2285.0</b>	T16 (G5) 2x54W non dimmable	1425mm														
	<b>M2285.1</b>	T16 (G5) 2x28-54W dimmable DALI	1425mm														
<b>M2286.0</b>	T16 (G5) 4x54W non dimmable	2610mm															
<b>M2286.1</b>	T16 (G5) 4x28-54W dimmable DALI	2610mm															


photometric data: see page 428.

## NOTHING 86 SYSTEM STAND-ALONE CEILING FLUO DARK LIGHT

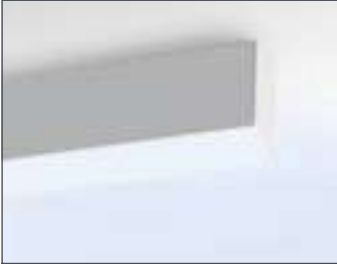


																	
	<p>⊕ IP20 850° ○ white <b>2</b> ● anodized <b>6</b></p>																
T16 (G5)	<table border="1"> <thead> <tr> <th>CODE</th> <th>LIGHT SOURCE</th> <th>LENGTH</th> </tr> </thead> <tbody> <tr> <td><b>M2287.0</b></td> <td>T16 (G5) 2x54W non dimmable</td> <td>1174mm</td> </tr> <tr> <td><b>M2287.1</b></td> <td>T16 (G5) 2x28-54W dimmable DALI</td> <td>1174mm</td> </tr> <tr> <td><b>M2288.0</b></td> <td>T16 (G5) 4x54W non dimmable</td> <td>2348mm</td> </tr> <tr> <td><b>M2288.1</b></td> <td>T16 (G5) 4x28-54W dimmable DALI</td> <td>2348mm</td> </tr> </tbody> </table>		CODE	LIGHT SOURCE	LENGTH	<b>M2287.0</b>	T16 (G5) 2x54W non dimmable	1174mm	<b>M2287.1</b>	T16 (G5) 2x28-54W dimmable DALI	1174mm	<b>M2288.0</b>	T16 (G5) 4x54W non dimmable	2348mm	<b>M2288.1</b>	T16 (G5) 4x28-54W dimmable DALI	2348mm
	CODE	LIGHT SOURCE	LENGTH														
	<b>M2287.0</b>	T16 (G5) 2x54W non dimmable	1174mm														
	<b>M2287.1</b>	T16 (G5) 2x28-54W dimmable DALI	1174mm														
<b>M2288.0</b>	T16 (G5) 4x54W non dimmable	2348mm															
<b>M2288.1</b>	T16 (G5) 4x28-54W dimmable DALI	2348mm															

photometric data: see page 428.




## NOTHING 86 SYSTEM LIGHT SOURCES

	Fluorescent tube T16 (G5) (1 piece).	
	<b>M004380</b>	39W (3000K).
	<b>M004381</b>	39W (4000K).

## NOTHING 86 SYSTEM STAND-ALONE CEILING LED MONOCHROMATIC DIFFUSER


			
	<p>⊕ IP20 850° ○ white <b>2</b> ● anodized <b>6</b></p>		
LED MONOCHROMATIC 	<b>CODE</b> <b>LIGHT SOURCE</b> <b>LENGTH</b>		
	<b>M2289.0</b>	LED 30W WARM WHITE dimmable DALI	1188mm
	<b>M2290.0</b>	LED 30W NEUTRAL WHITE dimmable DALI	1188mm
	<b>M2291.0</b>	LED 60W WARM WHITE dimmable DALI	2372mm
	<b>M2292.0</b>	LED 60W NEUTRAL WHITE dimmable DALI	2372mm
Luminaire comes complete with DALI power supply unit.			

## NOTHING 86 SYSTEM STAND-ALONE CEILING LED RGB DIFFUSER

			
	<p>⊕ IP20 850° ○ white <b>2</b> ● anodized <b>6</b></p>		
LED RGB 	<b>CODE</b> <b>LIGHT SOURCE</b> <b>LENGTH</b>		
	<b>M2293.0</b>	LED RGB 18W with DALI control	1188mm
	<b>M2294.0</b>	LED RGB 36W with DALI control	2372mm
Luminaire comes complete with power supply and DALI control unit.			

# NOTHING 86 SYSTEM

**STRUCTURAL MODULES**



CEILING RECESSED

CEILING MOUNTED/SUSPENDED

**PREWIRED GEAR-PLATES**








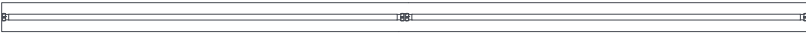
**OPTICS SYSTEMS**









MAIN COMPONENTS

1L=236,8mm

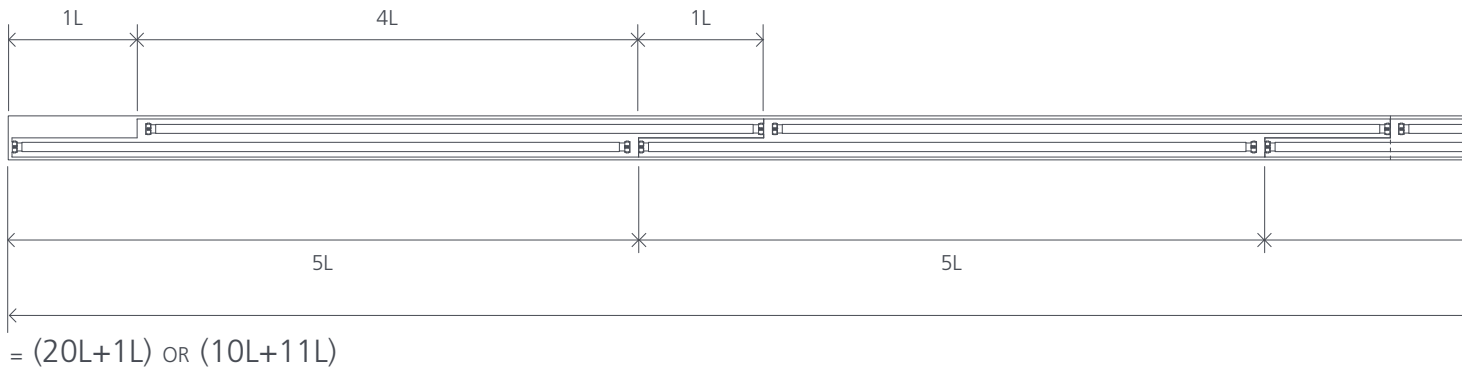
STRUCTURAL MODULES	LENGTH
	1L
	2L
	3L
	4L
	5L
	6L
	10L
	11L
	20L
	1DL
	2DL
	4DL

PREWIRED GEAR-PLATES	LENGTH
 SPOTLIGHTING UNIT	1L
 LED GEAR-PLATE	5L
 T16-SLS DIFFUSER GEAR-PLATE	5L
 T16 DIFFUSER GEAR-PLATE	6L
 T16 DARK LIGHT GEAR-PLATE	1DL
 T16 DARK LIGHT GEAR-PLATE	2DL

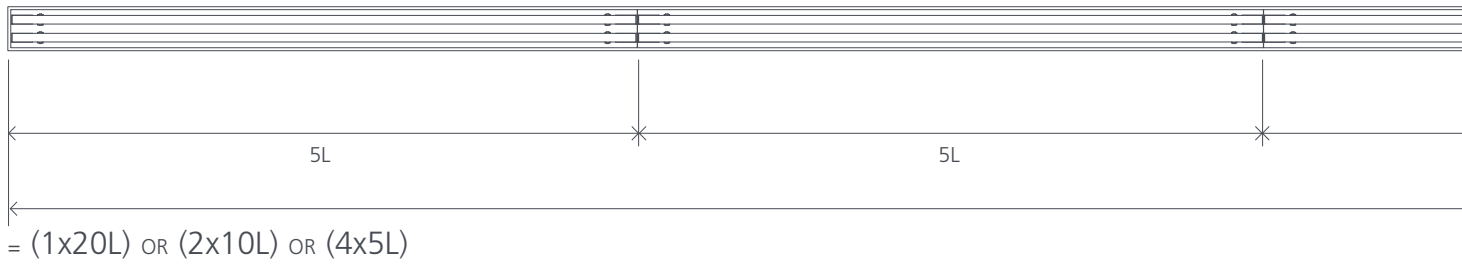
OPTICS SYSTEMS	LENGTH
 DIFFUSER LED/DIFFUSER FLUO	5L
 DIFFUSER LED/DIFFUSER FLUO	6L
 DIFFUSER LED/DIFFUSER FLUO	10L
 DIFFUSER LED/DIFFUSER FLUO	11L
 DIFFUSER LED/DIFFUSER FLUO	20L
 DARK LIGHT OPTICS	1DL

## NOTHING 86 SYSTEM: PLAN OF LAYOUT (EXAMPLES)

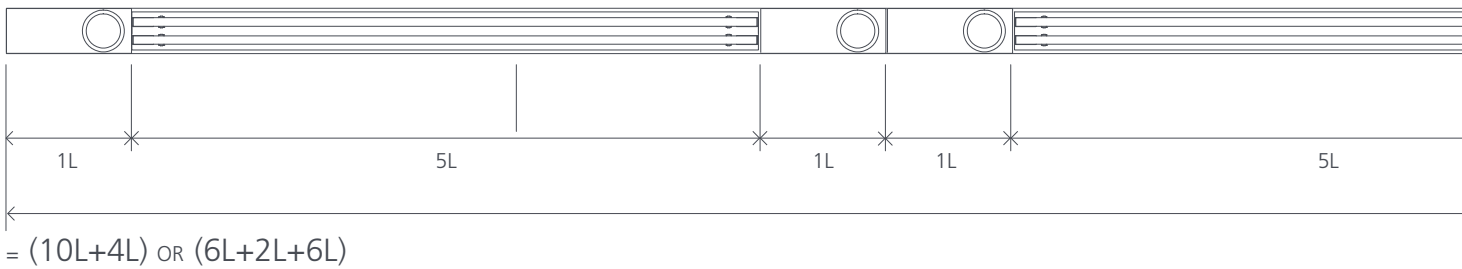
### EXAMPLE 1: LINE WITH T16-DIFFUSER MODULES

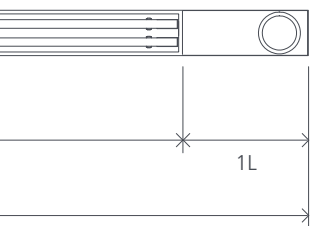
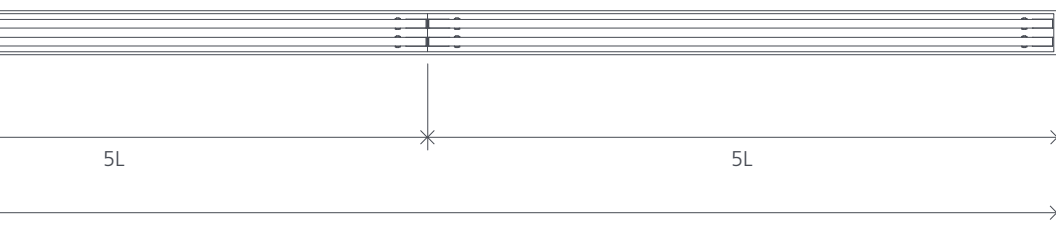
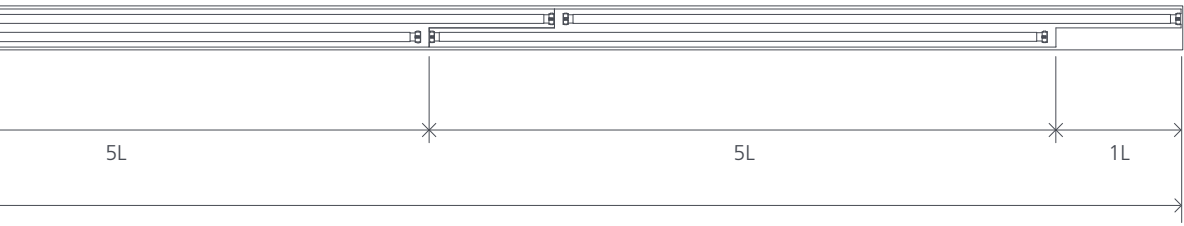


### EXAMPLE 2: LINE WITH T16-SLS DIFFUSER MODULES





### EXAMPLE 3: MIXED LINE WITH T16-SLS DIFFUSER MODULES AND SPOTLING UNITS







## NOTHING 86 SYSTEM STRUCTURAL MODULES RECESSED

	 <p>○ white</p>																										
	<table border="1"> <thead> <tr> <th>CODE</th> <th>LENGTH</th> </tr> </thead> <tbody> <tr> <td><b>M230000</b></td> <td>236,8mm (=1L)</td> </tr> <tr> <td><b>M230100</b></td> <td>473,6mm (=2L)</td> </tr> <tr> <td><b>M230200</b></td> <td>710,4mm (=3L)</td> </tr> <tr> <td><b>M230300</b></td> <td>947,2mm (=4L)</td> </tr> <tr> <td><b>M230400</b></td> <td>1184,0mm (=5L)</td> </tr> <tr> <td><b>M230500</b></td> <td>1420,8mm (=6L)</td> </tr> <tr> <td><b>M230600</b></td> <td>2368,0mm (=10L)</td> </tr> <tr> <td><b>M230700</b></td> <td>2604,8mm (=11L)</td> </tr> <tr> <td><b>M230800</b></td> <td>4736,0mm (=20L)</td> </tr> <tr> <td><b>M230900</b></td> <td>1170,0mm (=1DL)</td> </tr> <tr> <td><b>M231000</b></td> <td>2340,0mm (=2DL)</td> </tr> <tr> <td><b>M231100</b></td> <td>4680,0mm (=4DL)</td> </tr> </tbody> </table>	CODE	LENGTH	<b>M230000</b>	236,8mm (=1L)	<b>M230100</b>	473,6mm (=2L)	<b>M230200</b>	710,4mm (=3L)	<b>M230300</b>	947,2mm (=4L)	<b>M230400</b>	1184,0mm (=5L)	<b>M230500</b>	1420,8mm (=6L)	<b>M230600</b>	2368,0mm (=10L)	<b>M230700</b>	2604,8mm (=11L)	<b>M230800</b>	4736,0mm (=20L)	<b>M230900</b>	1170,0mm (=1DL)	<b>M231000</b>	2340,0mm (=2DL)	<b>M231100</b>	4680,0mm (=4DL)
CODE	LENGTH																										
<b>M230000</b>	236,8mm (=1L)																										
<b>M230100</b>	473,6mm (=2L)																										
<b>M230200</b>	710,4mm (=3L)																										
<b>M230300</b>	947,2mm (=4L)																										
<b>M230400</b>	1184,0mm (=5L)																										
<b>M230500</b>	1420,8mm (=6L)																										
<b>M230600</b>	2368,0mm (=10L)																										
<b>M230700</b>	2604,8mm (=11L)																										
<b>M230800</b>	4736,0mm (=20L)																										
<b>M230900</b>	1170,0mm (=1DL)																										
<b>M231000</b>	2340,0mm (=2DL)																										
<b>M231100</b>	4680,0mm (=4DL)																										



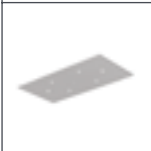



## NOTHING 86 SYSTEM RECESSED COMPONENTS

	<p><b>M232400</b> End cap (set of 2).</p>		<p><b>M1946.0</b> Intermediate connector (to be used for combining spotlighting modules with fluorescent modules with dark light or diffusing emission).</p> <p>○ white <b>2</b> ● anodized <b>6</b></p>
---	---	---	--



## NOTHING 86 SYSTEM STRUCTURAL MODULES CEILING/SUSPENSION

	 <p>○ white 2 ● anodized 6</p>																										
	<table border="1"> <thead> <tr> <th>CODE</th> <th>LENGTH</th> </tr> </thead> <tbody> <tr> <td><b>M2312.0</b></td> <td>236,8mm (=1L)</td> </tr> <tr> <td><b>M2313.0</b></td> <td>473,6mm (=2L)</td> </tr> <tr> <td><b>M2314.0</b></td> <td>710,4mm (=3L)</td> </tr> <tr> <td><b>M2315.0</b></td> <td>947,2mm (=4L)</td> </tr> <tr> <td><b>M2316.0</b></td> <td>1184,0mm (=5L)</td> </tr> <tr> <td><b>M2317.0</b></td> <td>1420,8mm (=6L)</td> </tr> <tr> <td><b>M2318.0</b></td> <td>2368,0mm (=10L)</td> </tr> <tr> <td><b>M2319.0</b></td> <td>2604,8mm (=11L)</td> </tr> <tr> <td><b>M2320.0</b></td> <td>4736,0mm (=20L)</td> </tr> <tr> <td><b>M2321.0</b></td> <td>1170,0mm (=1DL)</td> </tr> <tr> <td><b>M2322.0</b></td> <td>2340,0mm (=2DL)</td> </tr> <tr> <td><b>M2323.0</b></td> <td>4680,0mm (=4DL)</td> </tr> </tbody> </table>	CODE	LENGTH	<b>M2312.0</b>	236,8mm (=1L)	<b>M2313.0</b>	473,6mm (=2L)	<b>M2314.0</b>	710,4mm (=3L)	<b>M2315.0</b>	947,2mm (=4L)	<b>M2316.0</b>	1184,0mm (=5L)	<b>M2317.0</b>	1420,8mm (=6L)	<b>M2318.0</b>	2368,0mm (=10L)	<b>M2319.0</b>	2604,8mm (=11L)	<b>M2320.0</b>	4736,0mm (=20L)	<b>M2321.0</b>	1170,0mm (=1DL)	<b>M2322.0</b>	2340,0mm (=2DL)	<b>M2323.0</b>	4680,0mm (=4DL)
CODE	LENGTH																										
<b>M2312.0</b>	236,8mm (=1L)																										
<b>M2313.0</b>	473,6mm (=2L)																										
<b>M2314.0</b>	710,4mm (=3L)																										
<b>M2315.0</b>	947,2mm (=4L)																										
<b>M2316.0</b>	1184,0mm (=5L)																										
<b>M2317.0</b>	1420,8mm (=6L)																										
<b>M2318.0</b>	2368,0mm (=10L)																										
<b>M2319.0</b>	2604,8mm (=11L)																										
<b>M2320.0</b>	4736,0mm (=20L)																										
<b>M2321.0</b>	1170,0mm (=1DL)																										
<b>M2322.0</b>	2340,0mm (=2DL)																										
<b>M2323.0</b>	4680,0mm (=4DL)																										



## NOTHING 86 SYSTEM CEILING/SUSPENSION COMPONENTS

	<p><b>M1943.0</b> End cap (set of 2). Thickness 2mm.</p> <p>○ white 2 ● anodized 6</p>		<p><b>M194700</b> Steel suspension cable (1 piece). Length 2000mm.</p>
	<p><b>M194500</b> Linear connector.</p>		<p>Suspension set with steel cable and power feed cable. Length 2000mm.</p>
	<p><b>M232600</b> Ceiling fixing bracket (1 piece).</p>		<p><b>M194800</b> 3 wires (3x1,5mm<sup>2</sup>). For feeding the LED modules.  <b>M194900</b> 7 wires (5x1,5mm<sup>2</sup> + 2x0,5mm<sup>2</sup>). For feeding the fluorescent and spotlighting modules.</p>
	<p><b>M1946.0</b> Intermediate connector (to be used for combining spotlighting modules with fluorescent modules with dark light or diffusing emission).</p> <p>○ white 2 ● anodized 6</p>		



## NOTHING 86 SYSTEM PREWIRED T16 DIFFUSER GEAR-PLATE DIRECT

										
T16 (G5) 	<table border="1"> <thead> <tr> <th>CODE</th> <th>LIGHT SOURCE</th> <th>LENGTH</th> </tr> </thead> <tbody> <tr> <td><b>M233000</b></td> <td>T16 (G5) 2x54W non dimmable</td> <td>1421mm</td> </tr> <tr> <td><b>M233001</b></td> <td>T16 (G5) 2x28-54W dimmable DALI</td> <td>1421mm</td> </tr> </tbody> </table>	CODE	LIGHT SOURCE	LENGTH	<b>M233000</b>	T16 (G5) 2x54W non dimmable	1421mm	<b>M233001</b>	T16 (G5) 2x28-54W dimmable DALI	1421mm
	CODE	LIGHT SOURCE	LENGTH							
	<b>M233000</b>	T16 (G5) 2x54W non dimmable	1421mm							
	<b>M233001</b>	T16 (G5) 2x28-54W dimmable DALI	1421mm							
Includes 7-poles through-wiring with quick-connector.										



## NOTHING 86 SYSTEM PREWIRED T16 GEAR-PLATE INDIRECT

										
T16 (G5) 	<table border="1"> <thead> <tr> <th>CODE</th> <th>LIGHT SOURCE</th> <th>LENGTH</th> </tr> </thead> <tbody> <tr> <td><b>M233100</b></td> <td>T16 (G5) 1x39W non dimmable</td> <td>875mm</td> </tr> <tr> <td><b>M233200</b></td> <td>T16 (G5) 2x39W non dimmable</td> <td>1750mm</td> </tr> </tbody> </table>	CODE	LIGHT SOURCE	LENGTH	<b>M233100</b>	T16 (G5) 1x39W non dimmable	875mm	<b>M233200</b>	T16 (G5) 2x39W non dimmable	1750mm
	CODE	LIGHT SOURCE	LENGTH							
	<b>M233100</b>	T16 (G5) 1x39W non dimmable	875mm							
	<b>M233200</b>	T16 (G5) 2x39W non dimmable	1750mm							
Includes 7-poles through-wiring with quick-connector and dust-protection polycarbonate cover.										



## NOTHING 86 SYSTEM PREWIRED T16-SLS DIFFUSER GEAR-PLATE DIRECT

										
T16-SLS (G5) 	<table border="1"> <thead> <tr> <th>CODE</th> <th>LIGHT SOURCE</th> <th>LENGTH</th> </tr> </thead> <tbody> <tr> <td><b>M233300</b></td> <td>T16-SLS (G5) 2x54W non dimmable</td> <td>1184mm</td> </tr> <tr> <td><b>M233301</b></td> <td>T16-SLS (G5) 2x28-54W dimmable DALI</td> <td>1184mm</td> </tr> </tbody> </table>	CODE	LIGHT SOURCE	LENGTH	<b>M233300</b>	T16-SLS (G5) 2x54W non dimmable	1184mm	<b>M233301</b>	T16-SLS (G5) 2x28-54W dimmable DALI	1184mm
	CODE	LIGHT SOURCE	LENGTH							
	<b>M233300</b>	T16-SLS (G5) 2x54W non dimmable	1184mm							
	<b>M233301</b>	T16-SLS (G5) 2x28-54W dimmable DALI	1184mm							
Includes 7-poles through-wiring with quick-connector.										



## NOTHING 86 SYSTEM PREWIRED T16 DARK LIGHT GEAR-PLATE DIRECT

																
T16 (G5) 	<table border="1"> <thead> <tr> <th>CODE</th> <th>LIGHT SOURCE</th> <th>LENGTH</th> </tr> </thead> <tbody> <tr> <td><b>M233400</b></td> <td>T16 (G5) 1x54W non dimmable</td> <td>1168mm</td> </tr> <tr> <td><b>M233401</b></td> <td>T16 (G5) 1x28-54W dimmable DALI</td> <td>1168mm</td> </tr> <tr> <td><b>M233500</b></td> <td>T16 (G5) 2x54W non dimmable</td> <td>2337mm</td> </tr> <tr> <td><b>M233501</b></td> <td>T16 (G5) 2x28-54W dimmable DALI</td> <td>2337mm</td> </tr> </tbody> </table>	CODE	LIGHT SOURCE	LENGTH	<b>M233400</b>	T16 (G5) 1x54W non dimmable	1168mm	<b>M233401</b>	T16 (G5) 1x28-54W dimmable DALI	1168mm	<b>M233500</b>	T16 (G5) 2x54W non dimmable	2337mm	<b>M233501</b>	T16 (G5) 2x28-54W dimmable DALI	2337mm
	CODE	LIGHT SOURCE	LENGTH													
	<b>M233400</b>	T16 (G5) 1x54W non dimmable	1168mm													
	<b>M233401</b>	T16 (G5) 1x28-54W dimmable DALI	1168mm													
	<b>M233500</b>	T16 (G5) 2x54W non dimmable	2337mm													
<b>M233501</b>	T16 (G5) 2x28-54W dimmable DALI	2337mm														
Includes 7-poles through-wiring with quick-connector.																



## NOTHING 86 SYSTEM PREWIRED LED MONOCHROMATIC DIFFUSER GEAR-PLATE DIRECT

			
	LED MONOCHROMATIC		
	CODE	LIGHT SOURCE	LENGTH
	<b>M233700</b>	LED 30W WARM WHITE	1184mm
	<b>M233800</b>	LED 30W NEUTRAL WHITE	1184mm
Includes 3-poles through-wiring with quick-connector. LED power supply to be ordered separately.			



## NOTHING 86 SYSTEM PREWIRED LED RGB DIFFUSER GEAR-PLATE DIRECT

			
	LED RGB		
	CODE	LIGHT SOURCE	LENGTH
	<b>M233600</b>	LED RGB 18W	1184mm
Includes 3-poles through-wiring with quick-connector. LED power supply and DALI or DMX control unit to be ordered separately.			



## NOTHING 86 SYSTEM ELECTRICAL COMPONENTS

	Supplementary through-wiring. To be used when fluorescent and spotlighting gear-plates are mixed with LED gear plates.		Feeding kit. Allows to connect the mains to the first pre-wired gear plate of the initial module. To be used only with ceiling-recessed and ceiling-mounted installations.
	<b>M198800</b> 3 poles. Length 1184mm.		<b>M073230</b> 3 poles (for feeding LED gear plates).
	<b>M199000</b> 3 poles. Length 2368mm.		<b>M073240</b> 7 poles (for feeding fluorescent gear plates).
	<b>M198700</b> 7 poles. Length 1184mm.		
	<b>M198900</b> 7 poles. Length 2368mm.		


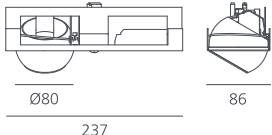























## NOTHING 86 SYSTEM LIGHT SOURCES

	Fluorescent tube T16-SLS (G5) (1 piece).		Fluorescent tube T16 (G5) (1 piece).
	<b>M004810</b> 28W (3000K).		<b>M004380</b> 39W (3000K).
	<b>M004815</b> 28W (4000K).		<b>M004381</b> 39W (4000K).
	<b>M004800</b> 54W (3000K).		
	<b>M004805</b> 54W (4000K).		

## NOTHING 86 SYSTEM LED POWER SUPPLIES AND LIGHT MANAGEMENT SYSTEMS


	Electronic power supply. IP67. Input voltage range: 90-264V <sub>AC</sub> / 47-63Hz. Output voltage: 48V <sub>DC</sub> . Protection against overcurrent, overvoltage, short-circuit and overtemperature, with automatic restart.		Control interface. Integrated sequencer for "stand-alone" operation with pre-defined colour sequence. Possibility of master-slave configuration (see page 235). Power-supply unit and lighting management systems to be ordered separately (see instructions for use).
	<b>M075000</b> 100W. For feeding up to a total 90W. 220x68x38mm.		<b>M075200</b> IP67. Compatible DALI. 252x162x90mm.
	<b>M075100</b> 240W. For feeding up to a total 225W. 244x68x39mm.		<b>M075300</b> IP67. Compatible DALI + DMX. 252x162x90mm.
			<b>M075400</b> IP20. Compatible DALI. Suitable for DIN rail mounting. 106x90x70mm.
			<b>M075500</b> IP20. Compatible DALI + DMX. Suitable for DIN rail mounting. 106x90x70mm.

## NOTHING 86 SYSTEM SPOTLIGHTING UNITS


																							
	<p>● black</p>																						
<p>QR-CBC51 (GU5,3) </p> <p>HIPAR51-CE-P (GX10) </p> <p>HIT-TC-CE (GU6,5) </p> <p>LED </p>	<table border="1"> <thead> <tr> <th>CODE</th> <th>LIGHT SOURCE</th> <th>CLASS</th> </tr> </thead> <tbody> <tr> <td><b>M233900</b></td> <td>QR-CBC51 (GU5,3) 12V 1xmax50W</td> <td></td> </tr> <tr> <td><b>M234000</b></td> <td>HIPAR51 (GX10) 1x20W</td> <td></td> </tr> <tr> <td><b>M234100</b></td> <td>HIPAR51 (GX10) 1x35W</td> <td></td> </tr> <tr> <td><b>M234200*</b></td> <td>HIT-TC-CE (GU6,5) 1x20W</td> <td></td> </tr> <tr> <td><b>M234300*</b></td> <td>HIT-TC-CE (GU6,5) 1x35W</td> <td></td> </tr> <tr> <td><b>M234400</b></td> <td>LED (GU10) 1x7W</td> <td></td> </tr> </tbody> </table> <p>Electronic power supply included.</p>	CODE	LIGHT SOURCE	CLASS	<b>M233900</b>	QR-CBC51 (GU5,3) 12V 1xmax50W		<b>M234000</b>	HIPAR51 (GX10) 1x20W		<b>M234100</b>	HIPAR51 (GX10) 1x35W		<b>M234200*</b>	HIT-TC-CE (GU6,5) 1x20W		<b>M234300*</b>	HIT-TC-CE (GU6,5) 1x35W		<b>M234400</b>	LED (GU10) 1x7W		
CODE	LIGHT SOURCE	CLASS																					
<b>M233900</b>	QR-CBC51 (GU5,3) 12V 1xmax50W																						
<b>M234000</b>	HIPAR51 (GX10) 1x20W																						
<b>M234100</b>	HIPAR51 (GX10) 1x35W																						
<b>M234200*</b>	HIT-TC-CE (GU6,5) 1x20W																						
<b>M234300*</b>	HIT-TC-CE (GU6,5) 1x35W																						
<b>M234400</b>	LED (GU10) 1x7W																						

\* Item number must be completed with the code of the desired reflector. See below.



## NOTHING 86 SYSTEM REFLECTORS

	Aluminium reflector.
	<b>SP</b> Spot ( $2 \times 5^\circ < \text{angle} \leq 2 \times 10^\circ$ ).
	<b>MFL</b> Medium-flood ( $2 \times 10^\circ < \text{angle} \leq 2 \times 15^\circ$ ).
	<b>FL</b> Flood ( $2 \times 15^\circ < \text{angle} \leq 2 \times 20^\circ$ ).


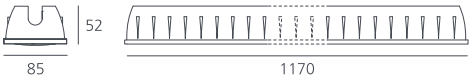
## NOTHING 86 SYSTEM ACCESSORIES

	<b>M232710</b> Blind panel. Length 236,8mm (=1L).
	● black



## NOTHING 86 SYSTEM DIFFUSERS FOR FLUORESCENT DIFFUSED LIGHTING

												
	<table border="1"> <thead> <tr> <th>CODE</th> <th>LENGTH</th> </tr> </thead> <tbody> <tr> <td><b>M234500</b></td> <td>1184,0mm (=5L)</td> </tr> <tr> <td><b>M234600</b></td> <td>1420,8mm (=6L)</td> </tr> <tr> <td><b>M234700</b></td> <td>2368,0mm (=10L)</td> </tr> <tr> <td><b>M234800</b></td> <td>2604,8mm (=11L)</td> </tr> <tr> <td><b>M234900</b></td> <td>4736,0mm (=20L)</td> </tr> </tbody> </table>	CODE	LENGTH	<b>M234500</b>	1184,0mm (=5L)	<b>M234600</b>	1420,8mm (=6L)	<b>M234700</b>	2368,0mm (=10L)	<b>M234800</b>	2604,8mm (=11L)	<b>M234900</b>
CODE	LENGTH											
<b>M234500</b>	1184,0mm (=5L)											
<b>M234600</b>	1420,8mm (=6L)											
<b>M234700</b>	2368,0mm (=10L)											
<b>M234800</b>	2604,8mm (=11L)											
<b>M234900</b>	4736,0mm (=20L)											

## NOTHING 86 SYSTEM DARK LIGHT OPTICS

					
	<table border="1"> <thead> <tr> <th>CODE</th> <th>LENGTH</th> </tr> </thead> <tbody> <tr> <td><b>M235000</b></td> <td>1170mm (=1DL)</td> </tr> </tbody> </table>	CODE	LENGTH	<b>M235000</b>	1170mm (=1DL)
CODE	LENGTH				
<b>M235000</b>	1170mm (=1DL)				

## NOTHING 86 SYSTEM DIFFUSERS FOR LED DIFFUSED LIGHTING

													
	<table border="1"> <thead> <tr> <th>CODE</th> <th>LENGTH</th> </tr> </thead> <tbody> <tr> <td><b>M235100</b></td> <td>1184,0mm (=5L)</td> </tr> <tr> <td><b>M235200</b></td> <td>1420,8mm (=6L)</td> </tr> <tr> <td><b>M235300</b></td> <td>2368,0mm (=10L)</td> </tr> <tr> <td><b>M235400</b></td> <td>2604,8mm (=11L)</td> </tr> <tr> <td><b>M235500</b></td> <td>4736,0mm (=20L)</td> </tr> </tbody> </table>	CODE	LENGTH	<b>M235100</b>	1184,0mm (=5L)	<b>M235200</b>	1420,8mm (=6L)	<b>M235300</b>	2368,0mm (=10L)	<b>M235400</b>	2604,8mm (=11L)	<b>M235500</b>	4736,0mm (=20L)
CODE	LENGTH												
<b>M235100</b>	1184,0mm (=5L)												
<b>M235200</b>	1420,8mm (=6L)												
<b>M235300</b>	2368,0mm (=10L)												
<b>M235400</b>	2604,8mm (=11L)												
<b>M235500</b>	4736,0mm (=20L)												

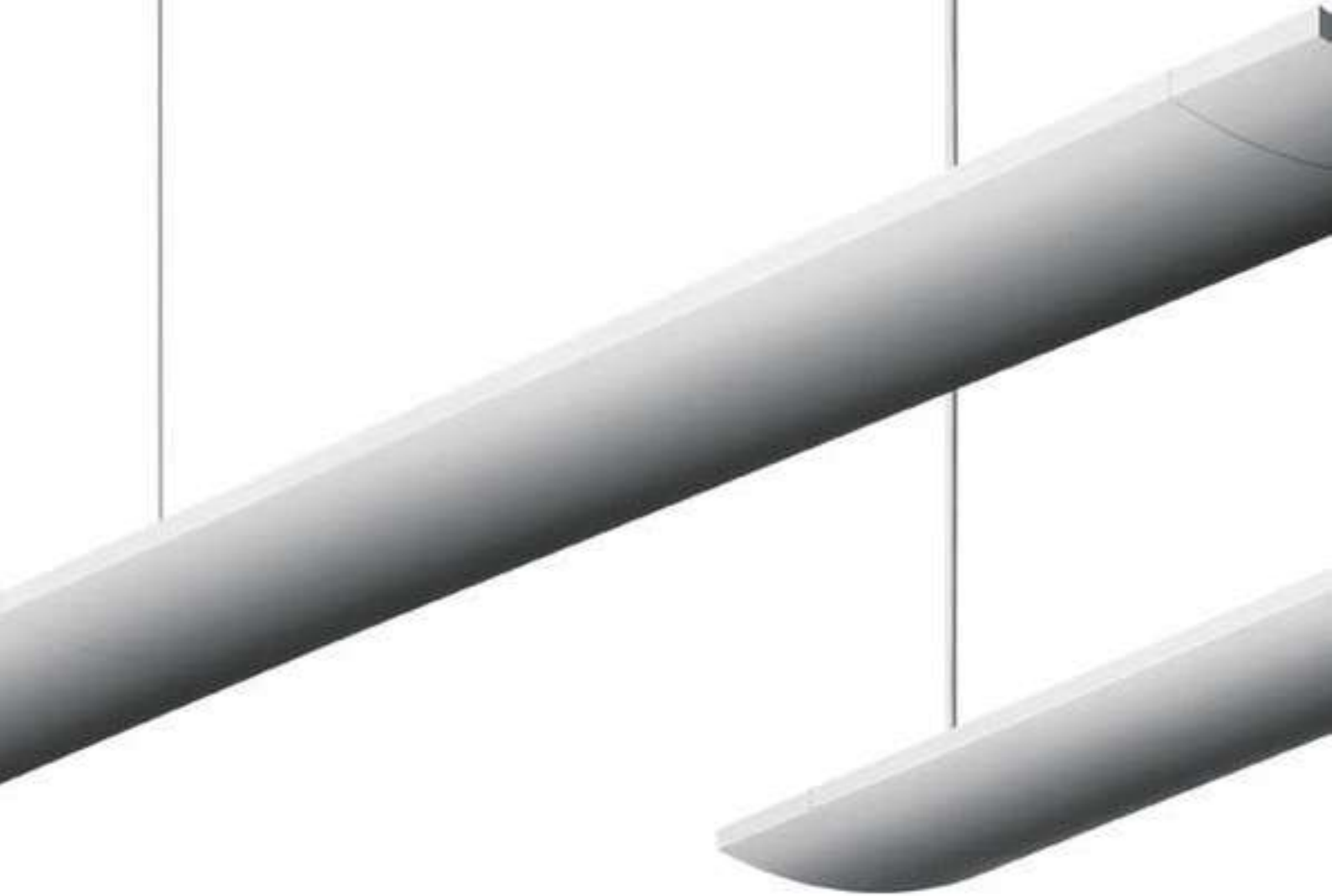
# SURF

design NEIL POULTON



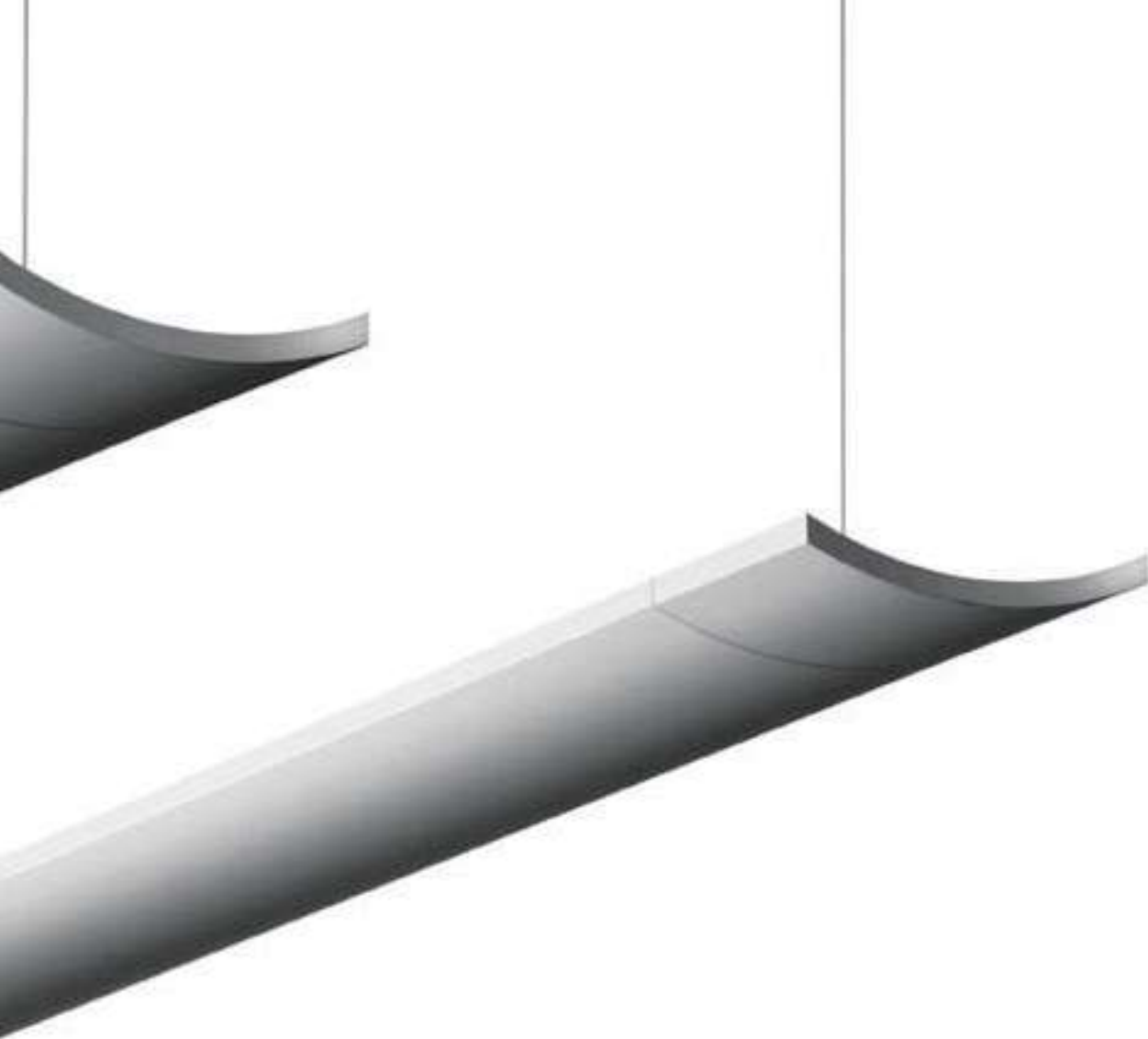


# SURF SYSTEM SUSPENSION



HQ'S FRASER MILNER, MONTREAL (CA), AEDIFICA ARCHITECTURE + DESIGN.  
PAGE 252-253: DOBSON HOUSE, NEWCASTLE UPON TYNE (UK), FAULKNERBROWNS ARCHITECTS.

HQ'S OMER DE SERRES, MONTREAL (CA), AEDIFICA ARCHITECTURE + DESIGN.



IWATE PREFECTURAL LIBRARY IWATE (J), NIHON SEKKEI INC,  
K. SONE ENVIRONMENTAL DESIGN ASS. AND KUJI ARCH. STUDIO.



AUTOGRILL, ASSAGO/MILANO (I), PAOLO MONTERO.

# SURF SYSTEM WALL



- MODULAR SYSTEM FOR INDIRECT LIGHTING USING 2x14W TO 2x80W T16 FLUORESCENT LAMPS.
- EXTRUDED ALUMINIUM BODY WITH A WHITE OR GREY PAINT FINISH.
- CAN BE INSTALLED AS A PENDANT LIGHT (**SURF SYSTEM** SUSPENSION) OR WALL LIGHT (**SURF SYSTEM WALL**).
- CONTINUOUS LINEAR MOUNTING OR WITH 90° CONNECTORS, 3 AND 4 WAYS CONNECTORS.
- LIGHT OUTPUT RATIO: 72%.
- ELECTRONIC BALLAST, OR DALI-SWITCHDIM DIMMABLE ELECTRONIC BALLAST, OR **INTERACTIVE-DALI** SYSTEM COMBINING A MOVEMENT DETECTOR AND A DAYLIGHT SENSOR FOR AUTO-REGULATION IN RELATION TO PEOPLE PRESENCE AND VARIATIONS IN DAYLIGHT. EMERGENCY LIGHTING AS AN OPTIONAL EXTRA.
- DUST PROTECTION COVER MADE OF EXTRUDED POLYCARBONATE.
- QUICK ADJUSTMENT STEEL SUSPENSION CABLES.
- COMPLIES WITH STANDARD EN60598-1 AND OTHER SPECIFIC STANDARDS.

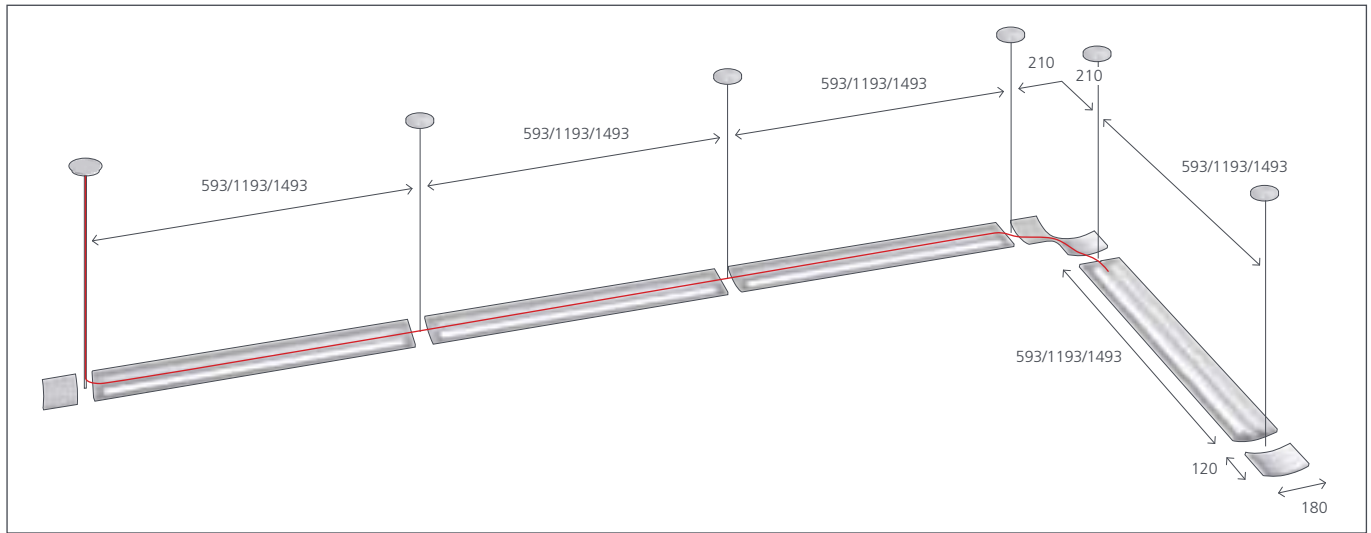


RIVA ACCIAIO, MILAN (I), M.D'AZZO, M.GROH, R.GIULIANI.

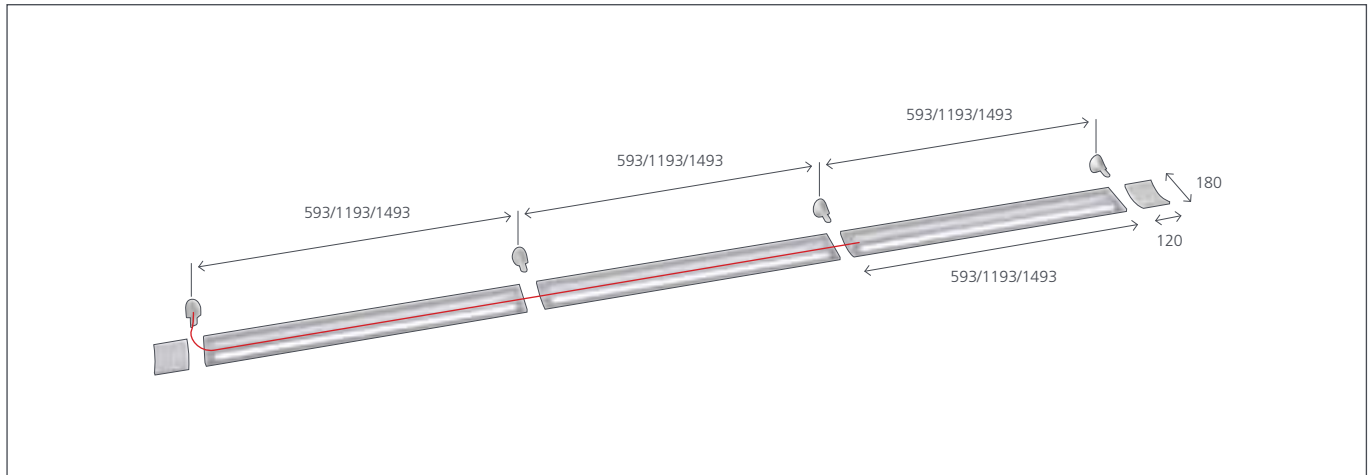


GROUPE ACCOR, EVRY (F).

# SURF SYSTEM SUSPENSION


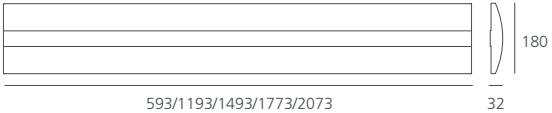



# SURF SYSTEM WALL




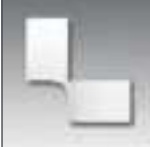






NHN CORPORATION HQ'S, BUNDANG-GU (KOR), NBBJ, SAMOO, NHN SPX TEAM.

# SURF SYSTEM

					
	<p>593/1193/1493/1773/2073      180 32</p>				
<p>⊕ ⚡ IP20 960° ○ white <b>2</b> ● grey <b>9</b></p>					
<p>T16 (G5)</p> 	<b>CODE</b>	<b>LIGHT SOURCE</b>		<b>LENGTH</b>	<b>WEIGHT</b>
	<b>M0915.0</b>	T16 (G5) 2x14W non dimmable		593mm	2,50kg
	<b>M0900.0</b>	T16 (G5) 2x28W non dimmable		1193mm	3,60kg
	<b>M0901.0</b>	T16 (G5) 2x35W non dimmable		1493mm	4,50kg
	<b>M0945.0</b>	T16 (G5) 2x54W non dimmable		1193mm	3,60kg
	<b>M0946.0</b>	T16 (G5) 2x80W non dimmable		1493mm	4,50kg
	<b>M0976.0</b>	T16 (G5) 2x24W non dimmable + emergency 1h		1193mm	3,60kg
	<b>M0912.0</b>	T16 (G5) 2x28W non dimmable + emergency 1h		1773mm	5,60kg
	<b>M0913.0</b>	T16 (G5) 2x35W non dimmable + emergency 1h		2073mm	6,50kg
	<b>M0947.0</b>	T16 (G5) 2x28W dimmable DALI		1193mm	3,60kg
	<b>M0948.0</b>	T16 (G5) 2x35W dimmable DALI		1493mm	4,50kg
	<b>M0949.5</b>	T16 (G5) 2x54W dimmable DALI		1193mm	3,60kg
	<b>M0911.5</b>	T16 (G5) 2x80W dimmable DALI		1493mm	4,50kg
	<b>M0949.6</b>	T16 (G5) 2x54W INTERACTIVE-DALI		1193mm	3,60kg

photometric data: see page 435.

## SURF SYSTEM COMPONENTS


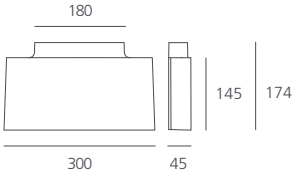


	<p><b>M0902.0</b> End plate. 0,70kg. 120x180mm.</p> <p>○ white <b>2</b> ● grey <b>9</b></p>		<p><b>M0908.0</b> Wall fixing (without feed). 55x90mm. Protrusion 50mm.</p> <p>○ white <b>2</b> ● grey <b>9</b></p>
	<p><b>M0903.0</b> L-shaped connector. 1,50kg. 300x300mm.</p> <p>○ white <b>2</b> ● grey <b>9</b></p>		<p><b>M0909.0</b> Wall fixing with feed (3x1,5mm²). 0,20kg. 55x90mm. Protrusion 50mm.</p> <p>○ white <b>2</b> ● grey <b>9</b></p>
	<p><b>M0904.0</b> 3-ways connector. 2,30kg. 421x300mm.</p> <p>○ white <b>2</b> ● grey <b>9</b></p>		<p><b>M104900</b> INTERACTIVE-DALI remote control.</p>
	<p><b>M0905.0</b> 4-ways connector. 3,00kg. 421x421mm.</p> <p>○ white <b>2</b> ● grey <b>9</b></p>		<p><b>M074030</b> INTERACTIVE-DALI kit Ø86mm white, recessed. Can be connected to a max. 11 DALI dimmable units. Is operated through INTERACTIVE-DALI remote control or external push button.</p> <p> Ø72</p>
	<p><b>M0906.0</b> Steel suspension cable. Ceiling plate Ø100mm. 1100mm.</p> <p>○ white <b>2</b> ● grey <b>9</b></p>		<p><b>M074130</b> Extension recessed movement detector for INTERACTIVE-DALI system.</p> <p> Ø64</p>
	<p><b>M0907.0</b> Suspension with feed cable. Ceiling plate Ø100mm. 1100mm. 3 wires (3x1,5mm²)</p> <p><b>M0918.0</b> 5 wires (3x1,5mm² + 2x0,5mm²)</p> <p>○ white <b>2</b> ● grey <b>9</b></p>		

# SURF WALL




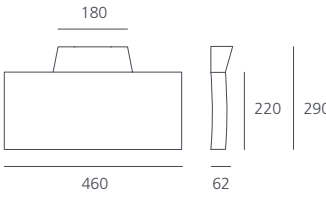





- A RANGE OF WALL LAMPS WITH INDIRECT LIGHTING, USING 300W HALOGEN, 150W METAL-HALIDE AND 1x18W, 2x36W AND 2x55W TC-LEL FLUORESCENT LAMPS.
- ALUMINIUM BODY WITH WHITE OR GREY PAINT FINISH.
- 3 SIZE OPTIONS: 174x300MM, 290x460MM AND 290x600MM.
- ELECTRONIC BALLAST.
- PROTECTIVE GLASS (FOR HALOGEN AND METAL-HALIDE VERSIONS) OR POLYCARBONATE DUST-PROTECTION SCREEN (FOR 2X36-55W TC-LEL VERSIONS).
- COMPLIES WITH STANDARD EN60598-1 AND OTHER SPECIFIC STANDARDS.

## SURF WALL 300

		  <span style="margin-left: 10px;">○ white <b>55</b></span> <span style="margin-left: 10px;">● grey <b>66</b></span>								
		<table border="1"> <thead> <tr> <th>CODE</th> <th>LIGHT SOURCE</th> <th>WEIGHT</th> </tr> </thead> <tbody> <tr> <td><b>M0609..</b></td> <td>QT-DE12 (R7s) 1xmax300W</td> <td>1,00kg</td> </tr> <tr> <td><b>M0663..</b></td> <td>TC-LEL (2G11) 1x18W</td> <td>1,00kg</td> </tr> </tbody> </table>	CODE	LIGHT SOURCE	WEIGHT	<b>M0609..</b>	QT-DE12 (R7s) 1xmax300W	1,00kg	<b>M0663..</b>	TC-LEL (2G11) 1x18W
CODE	LIGHT SOURCE	WEIGHT								
<b>M0609..</b>	QT-DE12 (R7s) 1xmax300W	1,00kg								
<b>M0663..</b>	TC-LEL (2G11) 1x18W	1,00kg								


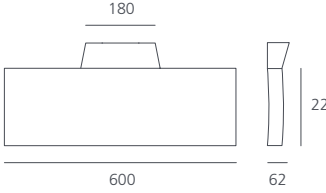


photometric data: see page 438.

## SURF WALL 460

		  <span style="margin-left: 10px;">○ white <b>2</b></span> <span style="margin-left: 10px;">● grey <b>9</b></span>								
		<table border="1"> <thead> <tr> <th>CODE</th> <th>LIGHT SOURCE</th> <th>WEIGHT</th> </tr> </thead> <tbody> <tr> <td><b>M0615.0</b></td> <td>TC-LEL (2G11) 2x36W</td> <td> 1,40kg</td> </tr> <tr> <td><b>M0662.0</b></td> <td>HIT-DE-CE-h45 (RX7s) 1x150W</td> <td>3,80kg</td> </tr> </tbody> </table>	CODE	LIGHT SOURCE	WEIGHT	<b>M0615.0</b>	TC-LEL (2G11) 2x36W	 1,40kg	<b>M0662.0</b>	HIT-DE-CE-h45 (RX7s) 1x150W
CODE	LIGHT SOURCE	WEIGHT								
<b>M0615.0</b>	TC-LEL (2G11) 2x36W	 1,40kg								
<b>M0662.0</b>	HIT-DE-CE-h45 (RX7s) 1x150W	3,80kg								

photometric data: see page 439.

## SURF WALL 600

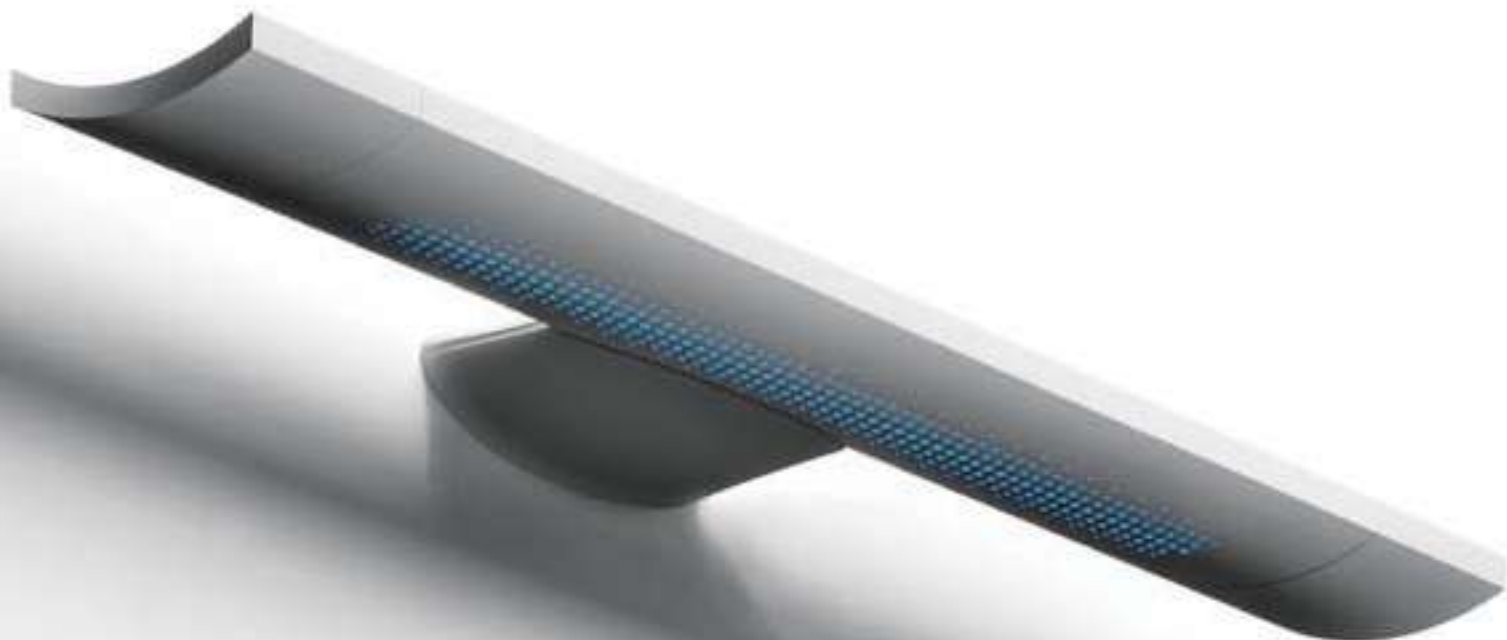
		  <span style="margin-left: 10px;">○ white <b>2</b></span> <span style="margin-left: 10px;">● grey <b>9</b></span>					
		<table border="1"> <thead> <tr> <th>CODE</th> <th>LIGHT SOURCE</th> <th>WEIGHT</th> </tr> </thead> <tbody> <tr> <td><b>M0607.0</b></td> <td>TC-LEL (2G11) 2x55W</td> <td>1,80kg</td> </tr> </tbody> </table>	CODE	LIGHT SOURCE	WEIGHT	<b>M0607.0</b>	TC-LEL (2G11) 2x55W
CODE	LIGHT SOURCE	WEIGHT					
<b>M0607.0</b>	TC-LEL (2G11) 2x55W	1,80kg					

photometric data: see page 439.




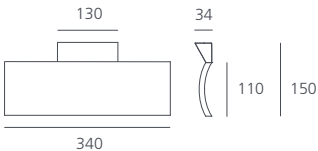

# MINISURF WALL

design NEIL POULTON




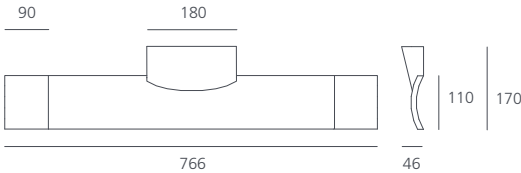

- A RANGE OF WALL LAMPS WITH INDIRECT LIGHTING, USING 150W HALOGEN AND 24W T16 FLUORESCENT LAMPS.
- ALUMINIUM BODY WITH WHITE OR GREY PAINT FINISH.
- 2 SIZE OPTIONS: 150x340MM AND 170x766MM.
- INTEGRAL ELECTRONIC BALLAST.
- FLUORESCENT VERSION COMES WITH PUNCHINGS AND COLOURED FILTERS (BLUE, ORANGE AND OPAQUE WHITE) FOR A DECORATIVE DIRECT LIGHTING EFFECT.
- COMPLIES WITH STANDARD EN60598-1 AND OTHER SPECIFIC STANDARDS.

## MINISURF WALL HALOGEN

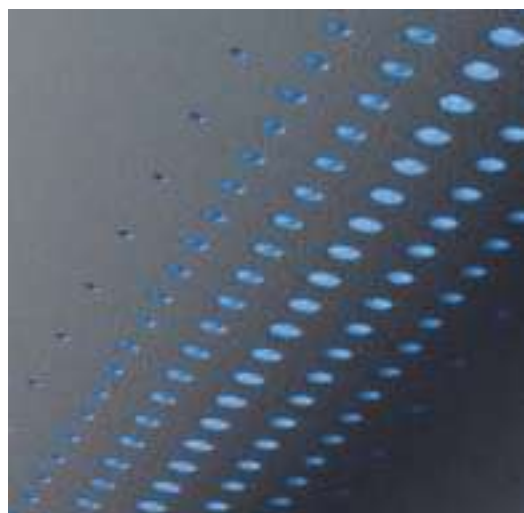
		Ⓧ IP20 960° ○ white <b>2</b> ● grey <b>9</b>	
		QT-DE12 (R7S) 	<b>CODE</b> <b>LIGHT SOURCE</b> <b>WEIGHT</b>

photometric data: see page 438.

## MINISURF WALL FLUORESCENT

		Ⓧ IP20 960° ○ white <b>2</b> ● grey <b>9</b>	
		T16 (G5) 	<b>CODE</b> <b>LIGHT SOURCE</b> <b>WEIGHT</b>

photometric data: see page 438.



# KALIFA - KALIFA II

design ERNESTO GISMONDI

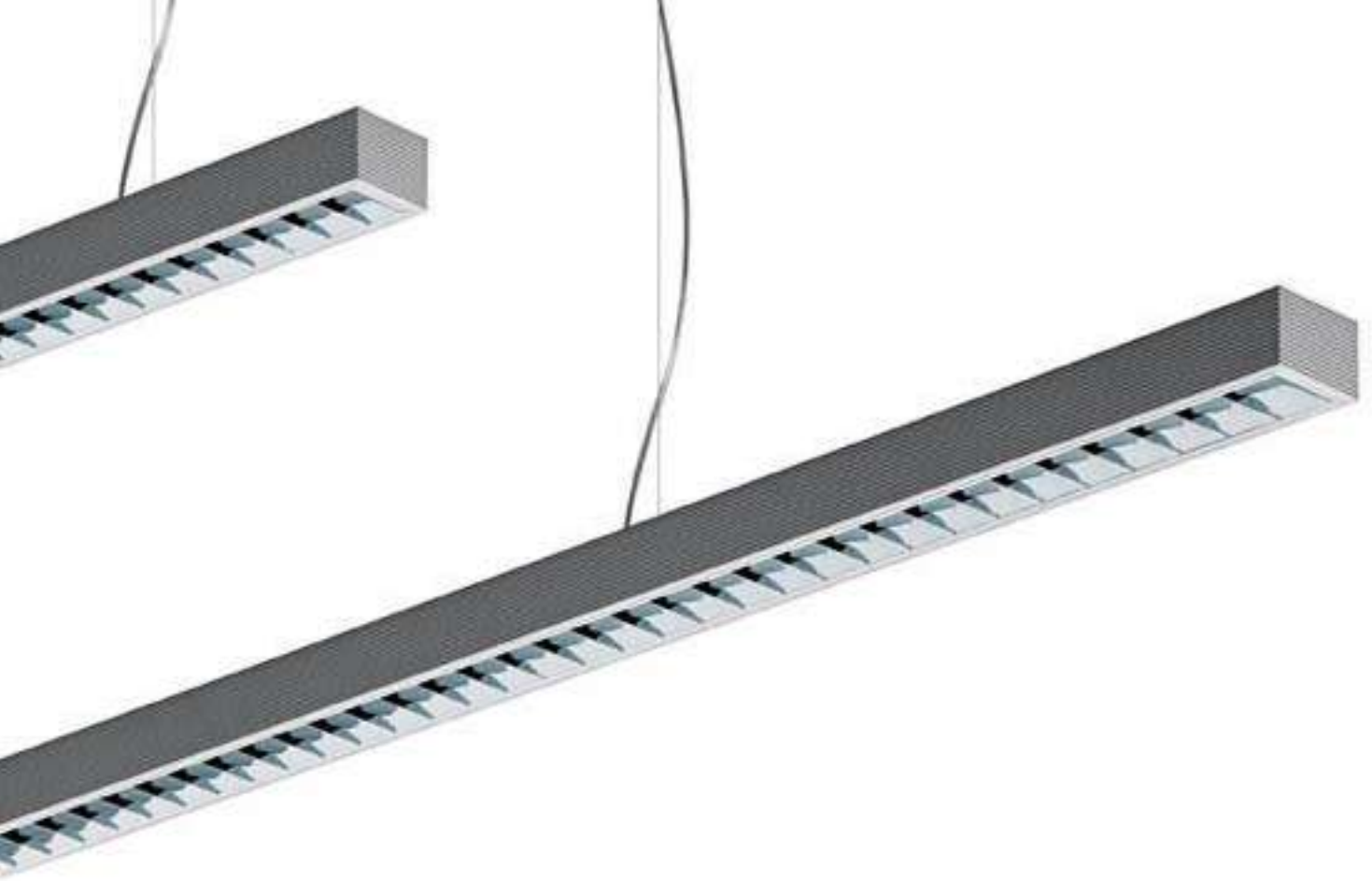




# KALIFA II SUSPENSION DUAL EMISSION



- SINGLE PENDANT LIGHT WITH DIRECT-INDIRECT LIGHTING USING 2x24W AND 2x54W T16 FLUORESCENT LIGHT SOURCE.
- EXTRUDED ALUMINIUM BODY WITH A WHITE OR GREY PAINT FINISH, AVAILABLE IN LENGTHS OF 1640MM AND 2900MM.
- SUPER PURE ALUMINIUM DARK LIGHT OPTICS.
- LIGHT OUTPUT RATIO: 92%. LIGHT DISTRIBUTION: 30% INDIRECT AND 70% DIRECT.
- DARK LIGHT EMISSION IS IN COMPLIANCE WITH EN12464-1 STANDARD, WITH AVERAGE LUMINANCE LEVELS LOWER THAN THE 1000CD/M<sup>2</sup> LIMIT FOR AN OBSERVATION ANGLE OF 65° OR ABOVE WITH RESPECT TO THE VERTICAL AXIS.
- ELECTRONIC CONTROL GEAR, OR DALI-SWITCHDIM DIMMABLE ELECTRONIC CONTROL GEAR.
- QUICK ADJUSTMENT STEEL SUSPENSION CABLES.
- COMPLIES WITH STANDARD EN60598-1 AND OTHER SPECIFIC STANDARDS.



## KALIFA II SUSPENSION 1640 DUAL EMISSION

	<p>   IP20 960°  white <b>2</b>  grey <b>9</b> </p>									
<p>T16 (G5)</p>	<table border="1"> <thead> <tr> <th>CODE</th> <th>LIGHT SOURCE</th> <th>WEIGHT</th> </tr> </thead> <tbody> <tr> <td><b>M1671.0</b></td> <td>T16 (G5) 2x24W non dimmable</td> <td>4,80kg</td> </tr> <tr> <td><b>M1671.1</b></td> <td>T16 (G5) 2x14-24W dimmable DALI</td> <td>4,80kg</td> </tr> </tbody> </table>	CODE	LIGHT SOURCE	WEIGHT	<b>M1671.0</b>	T16 (G5) 2x24W non dimmable	4,80kg	<b>M1671.1</b>	T16 (G5) 2x14-24W dimmable DALI	4,80kg
CODE	LIGHT SOURCE	WEIGHT								
<b>M1671.0</b>	T16 (G5) 2x24W non dimmable	4,80kg								
<b>M1671.1</b>	T16 (G5) 2x14-24W dimmable DALI	4,80kg								

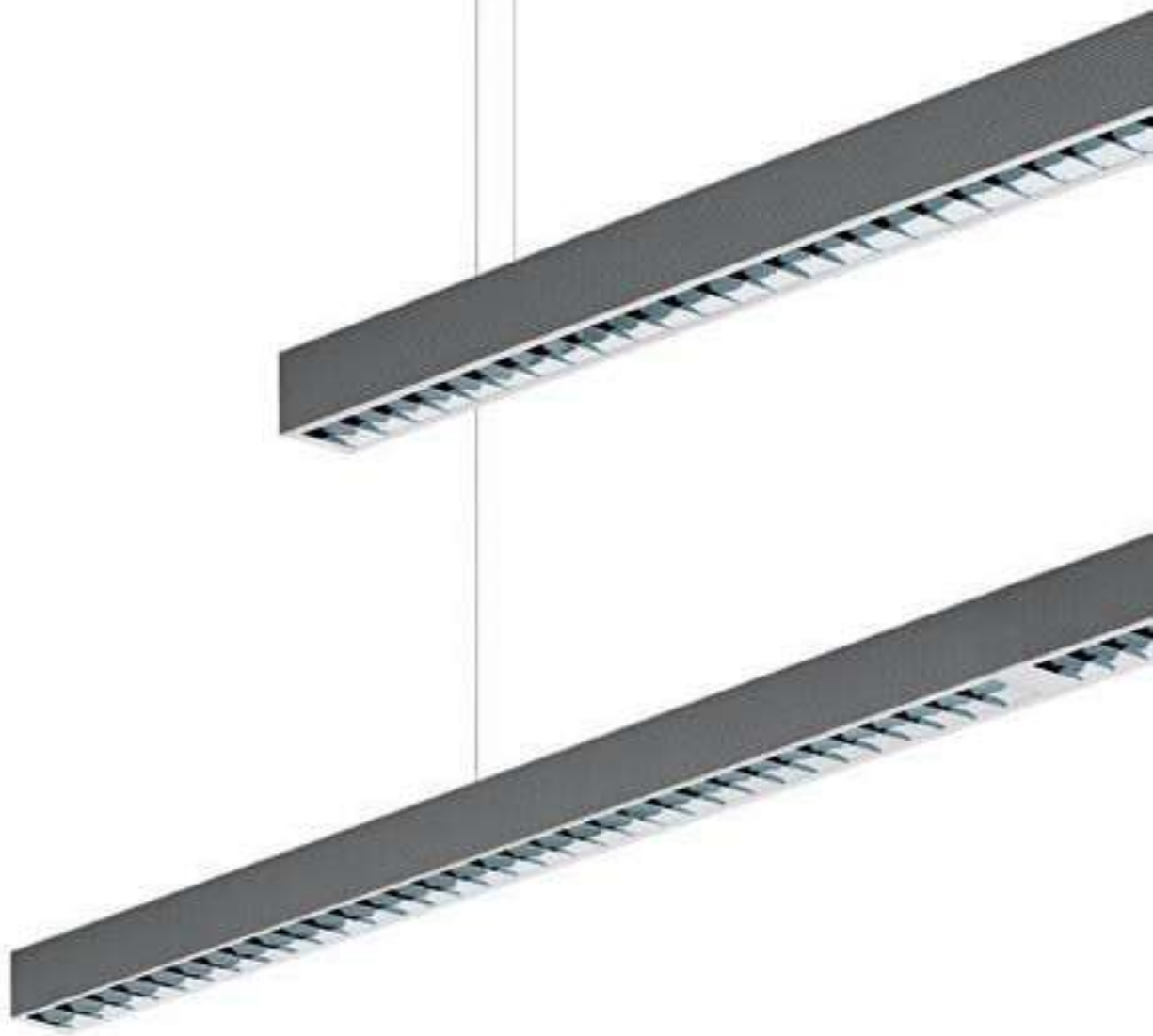
photometric data: see page 432.

## KALIFA II SUSPENSION 2900 DUAL EMISSION

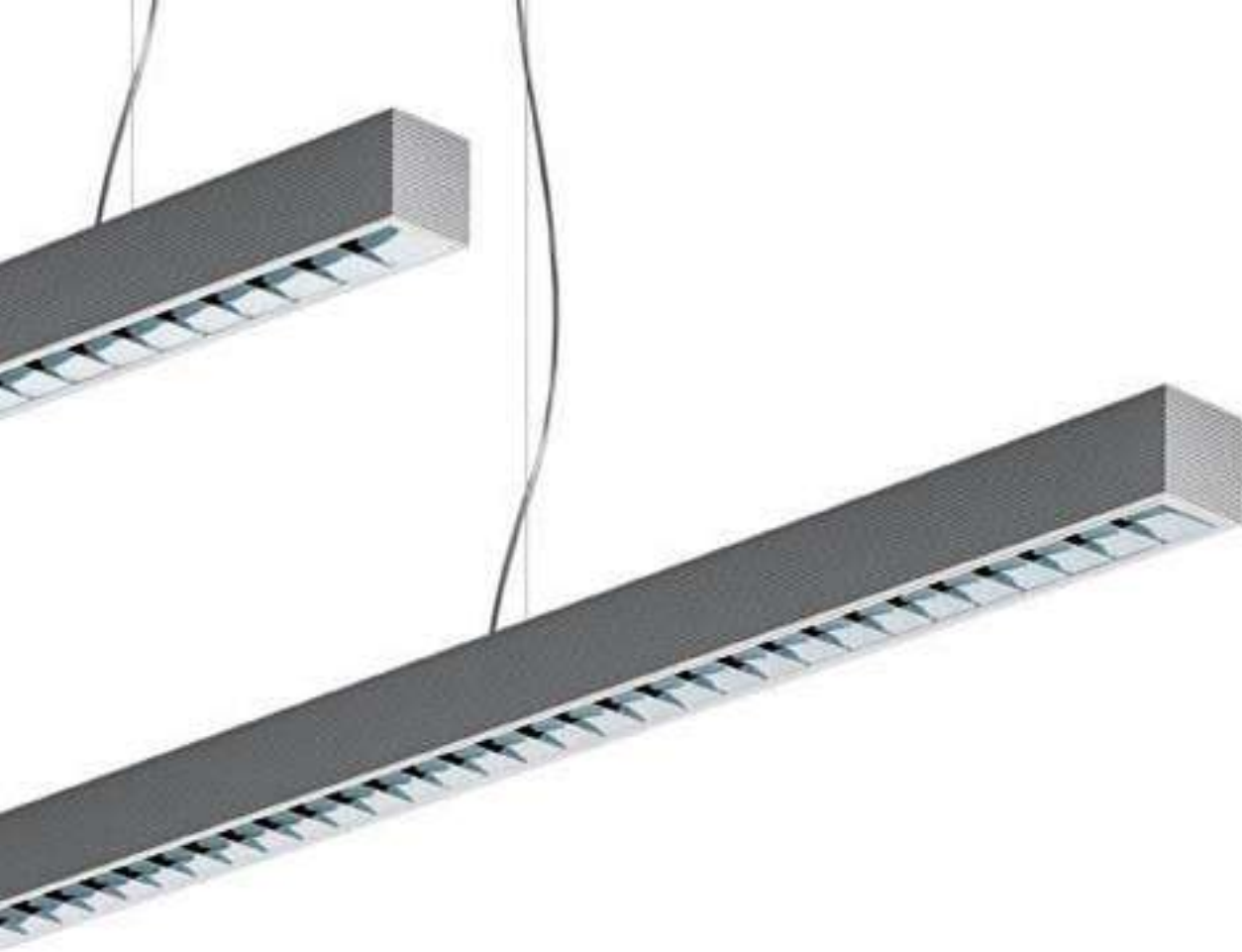
	<p>   IP20 960°  white <b>2</b>  grey <b>9</b> </p>									
<p>T16 (G5)</p>	<table border="1"> <thead> <tr> <th>CODE</th> <th>LIGHT SOURCE</th> <th>WEIGHT</th> </tr> </thead> <tbody> <tr> <td><b>M1672.0</b></td> <td>T16 (G5) 2x54W non dimmable</td> <td>8,40kg</td> </tr> <tr> <td><b>M1672.1</b></td> <td>T16 (G5) 2x28-54W dimmable DALI</td> <td>8,40kg</td> </tr> </tbody> </table>	CODE	LIGHT SOURCE	WEIGHT	<b>M1672.0</b>	T16 (G5) 2x54W non dimmable	8,40kg	<b>M1672.1</b>	T16 (G5) 2x28-54W dimmable DALI	8,40kg
CODE	LIGHT SOURCE	WEIGHT								
<b>M1672.0</b>	T16 (G5) 2x54W non dimmable	8,40kg								
<b>M1672.1</b>	T16 (G5) 2x28-54W dimmable DALI	8,40kg								

photometric data: see page 432.


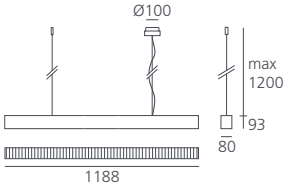

# KALIFA II SUSPENSION DIRECT EMISSION



- SINGLE PENDANT LIGHT WITH DIRECT LIGHTING USING 28W AND 54W T16 FLUORESCENT LIGHT SOURCE.
- EXTRUDED ALUMINIUM BODY WITH A WHITE OR GREY PAINT FINISH, AVAILABLE IN LENGTHS OF 1188MM (1xT16) AND 2400MM (2xT16).
- SUPER PURE ALUMINIUM DARK LIGHT OPTICS.
- LIGHT OUTPUT RATIO: 82%.
- DARK LIGHT EMISSION IS IN COMPLIANCE WITH EN12464-1 STANDARD, WITH AVERAGE LUMINANCE LEVELS LOWER THAN THE 1000CD/M<sup>2</sup> LIMIT FOR AN OBSERVATION ANGLE OF 65° OR ABOVE WITH RESPECT TO THE VERTICAL AXIS.
- ELECTRONIC CONTROL GEAR, OR DALI-SWITCHDIM DIMMABLE ELECTRONIC CONTROL GEAR. EMERGENCY LIGHTING ON REQUEST.
- QUICK ADJUSTMENT STEEL SUSPENSION CABLES.
- COMPLIES WITH STANDARD EN60598-1 AND OTHER SPECIFIC STANDARDS.


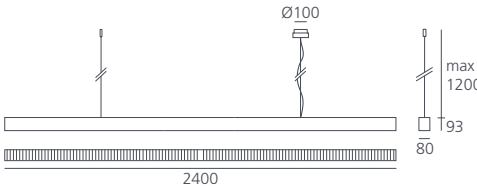



## KALIFA II SUSPENSION 1200 DIRECT EMISSION

	 <p>⊕ ⊜ IP20 960° ○ white 2 ● grey 9</p>															
<p>T16 (G5)</p> 	<table border="1"> <thead> <tr> <th>CODE</th> <th>LIGHT SOURCE</th> <th>WEIGHT</th> </tr> </thead> <tbody> <tr> <td><b>M1667.0</b></td> <td>T16 (G5) 1x28W non dimmable</td> <td>5,10kg</td> </tr> <tr> <td><b>M1669.0</b></td> <td>T16 (G5) 1x54W non dimmable</td> <td>5,10kg</td> </tr> <tr> <td><b>M1667.1</b></td> <td>T16 (G5) 1x28W dimmable DALI</td> <td>5,10kg</td> </tr> <tr> <td><b>M1669.1</b></td> <td>T16 (G5) 1x54W dimmable DALI</td> <td>5,10kg</td> </tr> </tbody> </table>	CODE	LIGHT SOURCE	WEIGHT	<b>M1667.0</b>	T16 (G5) 1x28W non dimmable	5,10kg	<b>M1669.0</b>	T16 (G5) 1x54W non dimmable	5,10kg	<b>M1667.1</b>	T16 (G5) 1x28W dimmable DALI	5,10kg	<b>M1669.1</b>	T16 (G5) 1x54W dimmable DALI	5,10kg
CODE	LIGHT SOURCE	WEIGHT														
<b>M1667.0</b>	T16 (G5) 1x28W non dimmable	5,10kg														
<b>M1669.0</b>	T16 (G5) 1x54W non dimmable	5,10kg														
<b>M1667.1</b>	T16 (G5) 1x28W dimmable DALI	5,10kg														
<b>M1669.1</b>	T16 (G5) 1x54W dimmable DALI	5,10kg														

photometric data: see page 433.

## KALIFA II SUSPENSION 2400 DIRECT EMISSION

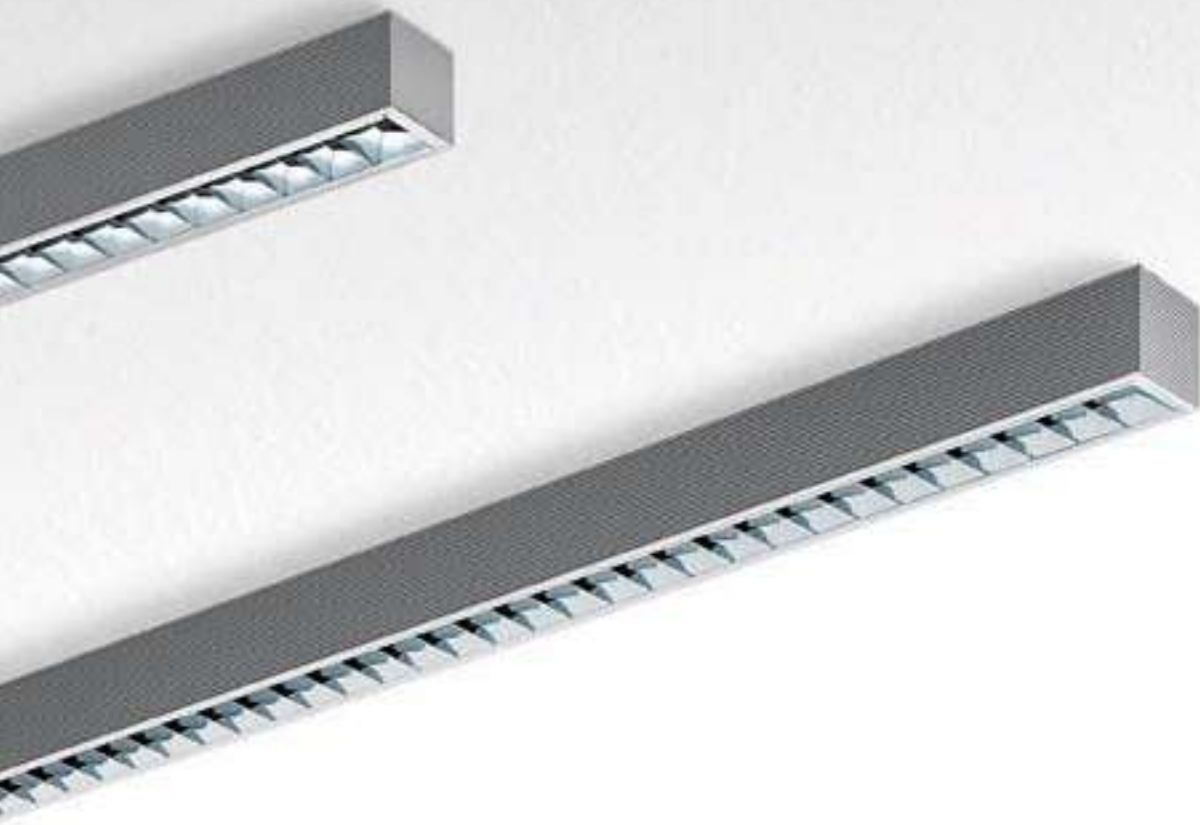
	 <p>⊕ ⊜ IP20 960° ○ white 2 ● grey 9</p>												
<p>T16 (G5)</p> 	<table border="1"> <thead> <tr> <th>CODE</th> <th>LIGHT SOURCE</th> <th>WEIGHT</th> </tr> </thead> <tbody> <tr> <td><b>M1668.0</b></td> <td>T16 (G5) 2x28W non dimmable</td> <td>8,90kg</td> </tr> <tr> <td><b>M1670.0</b></td> <td>T16 (G5) 2x54W non dimmable</td> <td>8,90kg</td> </tr> <tr> <td><b>M1670.1</b></td> <td>T16 (G5) 2x28-54W dimmable DALI</td> <td>8,90kg</td> </tr> </tbody> </table>	CODE	LIGHT SOURCE	WEIGHT	<b>M1668.0</b>	T16 (G5) 2x28W non dimmable	8,90kg	<b>M1670.0</b>	T16 (G5) 2x54W non dimmable	8,90kg	<b>M1670.1</b>	T16 (G5) 2x28-54W dimmable DALI	8,90kg
CODE	LIGHT SOURCE	WEIGHT											
<b>M1668.0</b>	T16 (G5) 2x28W non dimmable	8,90kg											
<b>M1670.0</b>	T16 (G5) 2x54W non dimmable	8,90kg											
<b>M1670.1</b>	T16 (G5) 2x28-54W dimmable DALI	8,90kg											

photometric data: see page 433.




# KALIFA II CEILING



- SINGLE CEILING LIGHT USING 28W AND 54W T16 FLUORESCENT LIGHT SOURCE.
- EXTRUDED ALUMINIUM BODY WITH A WHITE OR GREY PAINT FINISH, AVAILABLE IN LENGTHS OF 1188MM (1xT16) AND 2400MM (2xT16).
- SUPER PURE ALUMINIUM DARK LIGHT OPTICS.
- LIGHT OUTPUT RATIO: 82%.
- DARK LIGHT EMISSION IS IN COMPLIANCE WITH EN12464-1 STANDARD, WITH AVERAGE LUMINANCE LEVELS LOWER THAN THE 1000CD/M<sup>2</sup> LIMIT FOR AN OBSERVATION ANGLE OF 65° OR ABOVE WITH RESPECT TO THE VERTICAL AXIS.
- ELECTRONIC CONTROL GEAR, OR DALI-SWITCHDIM DIMMABLE ELECTRONIC CONTROL GEAR. EMERGENCY LIGHTING ON REQUEST.
- COMPLIES WITH STANDARD EN60598-1 AND OTHER SPECIFIC STANDARDS.






## KALIFA II CEILING 1200

			
	<p>⊕ ⚡ IP20 960° ○ white 2 ● grey 9</p>		
T16 (G5) 	<b>CODE</b>	<b>LIGHT SOURCE</b>	<b>WEIGHT</b>
	<b>M1813.0</b>	T16 (G5) 1x28W non dimmable	5,10kg
	<b>M1815.0</b>	T16 (G5) 1x54W non dimmable	5,10kg
	<b>M1813.1</b>	T16 (G5) 1x28W dimmable DALI	5,10kg
	<b>M1815.1</b>	T16 (G5) 1x54W dimmable DALI	5,10kg

photometric data: see page 428.

## KALIFA II CEILING 2400

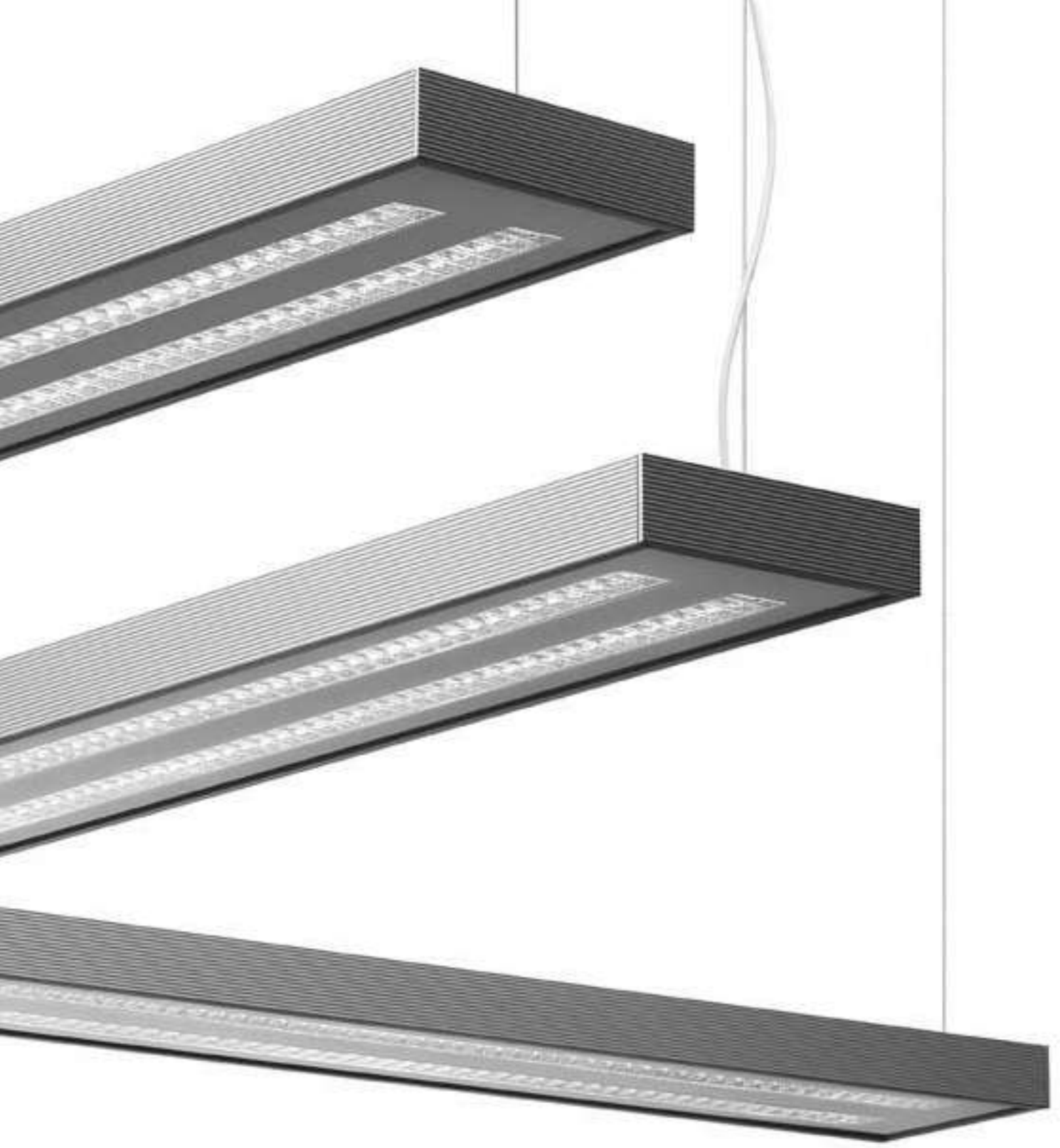
			
	<p>⊕ ⚡ IP20 960° ○ white 2 ● grey 9</p>		
T16 (G5) 	<b>CODE</b>	<b>LIGHT SOURCE</b>	<b>WEIGHT</b>
	<b>M1814.0</b>	T16 (G5) 2x28W non dimmable	8,90kg
	<b>M1816.0</b>	T16 (G5) 2x54W non dimmable	8,90kg
	<b>M1816.1</b>	T16 (G5) 2x28-54W dimmable DALI	8,90kg

photometric data: see page 428.

# KALIFA SYSTEM


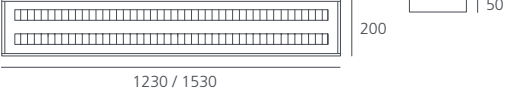


- DIRECT-INDIRECT MODULAR PENDANT SYSTEM USING 2x28W TO 2x54W T16 FLUORESCENT LAMPS.
- EXTRUDED ALUMINIUM BODY WITH A WHITE OR GREY PAINT FINISH, AND 4MM THICK SCREEN-PRINTED TEMPERED GLASS.
- DARKLIGHT EMISSION IS IN COMPLIANCE WITH EN12464-1 STANDARD, WITH AVERAGE LUMINANCE LEVELS LOWER THAN THE 1000CD/M<sup>2</sup> LIMIT FOR AN OBSERVATION ANGLE OF 65° OR ABOVE WITH RESPECT TO THE VERTICAL AXIS.
- LIGHT OUTPUT RATIO: 56%.
- LIGHT DISTRIBUTION: 61% INDIRECT AND 39% DIRECT.
- ELECTRONIC BALLAST, OR DALI-SWITCHDIM DIMMABLE ELECTRONIC BALLAST, AND EMERGENCY LIGHTING.
- FOR CONTINUOUS LINEAR MOUNTING AND WITH 90° CONNECTORS.
- POLYCARBONATE DUST-PROTECTION SCREEN.
- QUICK ADJUSTMENT STEEL SUSPENSION CABLES.
- COMPLIES WITH STANDARD EN60598-1 AND OTHER SPECIFIC STANDARDS.






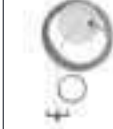


# KALIFA SYSTEM

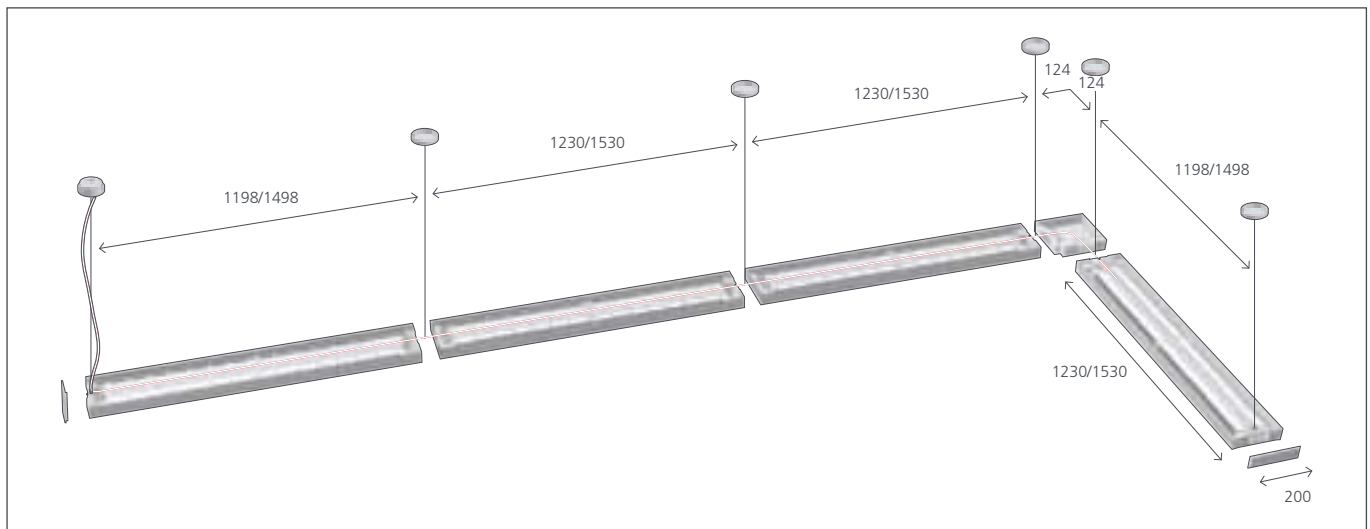
																									
	<p>⊕ ⏚ IP20 850° ○ white <b>2</b> ● grey <b>9</b></p>																								
T16 (G5)	<table border="1"> <thead> <tr> <th>CODE</th> <th>LIGHT SOURCE</th> <th>LENGTH</th> <th>WEIGHT</th> </tr> </thead> <tbody> <tr> <td><b>M1654.0</b></td> <td>T16 (G5) 2x28W non dimmable</td> <td>1230mm</td> <td>6,60kg</td> </tr> <tr> <td><b>M1656.0</b></td> <td>T16 (G5) 2x35W non dimmable</td> <td>1530mm</td> <td>8,20kg</td> </tr> <tr> <td><b>M1655.0</b></td> <td>T16 (G5) 2x54W non dimmable</td> <td>1230mm</td> <td>6,60kg</td> </tr> <tr> <td><b>M1655.7</b></td> <td>T16 (G5) 2x54W non dimmable + emergency 1h</td> <td>1230mm</td> <td>7,50kg</td> </tr> <tr> <td><b>M1655.1</b></td> <td>T16 (G5) 2x54W dimmable DALI</td> <td>1230mm</td> <td>6,60kg</td> </tr> </tbody> </table>	CODE	LIGHT SOURCE	LENGTH	WEIGHT	<b>M1654.0</b>	T16 (G5) 2x28W non dimmable	1230mm	6,60kg	<b>M1656.0</b>	T16 (G5) 2x35W non dimmable	1530mm	8,20kg	<b>M1655.0</b>	T16 (G5) 2x54W non dimmable	1230mm	6,60kg	<b>M1655.7</b>	T16 (G5) 2x54W non dimmable + emergency 1h	1230mm	7,50kg	<b>M1655.1</b>	T16 (G5) 2x54W dimmable DALI	1230mm	6,60kg
CODE	LIGHT SOURCE	LENGTH	WEIGHT																						
<b>M1654.0</b>	T16 (G5) 2x28W non dimmable	1230mm	6,60kg																						
<b>M1656.0</b>	T16 (G5) 2x35W non dimmable	1530mm	8,20kg																						
<b>M1655.0</b>	T16 (G5) 2x54W non dimmable	1230mm	6,60kg																						
<b>M1655.7</b>	T16 (G5) 2x54W non dimmable + emergency 1h	1230mm	7,50kg																						
<b>M1655.1</b>	T16 (G5) 2x54W dimmable DALI	1230mm	6,60kg																						

photometric data: see page 433.

## KALIFA SYSTEM COMPONENTS

	<p><b>M1663.0</b> End cap (1 piece). 200x50x3mm.</p> <p>○ white <b>2</b> ● grey <b>9</b></p>		<p><b>M1661.0</b> Suspension cable. Ceiling plate Ø100mm. 1400mm.</p> <p>○ white <b>2</b> ● grey <b>9</b></p>
	<p><b>M1664.0</b> 90° connector (unwired). 224x224x50mm. 1,30kg.</p> <p>○ white <b>2</b> ● grey <b>9</b></p>		<p>Steel suspension wire with power feed cable. Ceiling plate Ø100mm. 1400mm.</p> <p><b>M1662.0</b> 3 wires (3x1,5mm<sup>2</sup>). <b>M1660.0</b> 5 wires (3x1,5mm<sup>2</sup> + 2x0,5mm<sup>2</sup>). ○ white <b>2</b> ● grey <b>9</b></p>
<p>INTERACTIVE-DALI TECHNOLOGY</p>	<p>INTERACTIVE-DALI components: see page 409.</p>		

# KALIFA SYSTEM


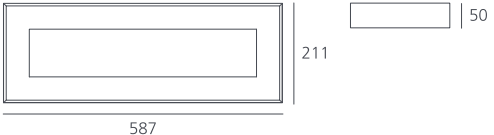




# KALIFA WALL

- A RANGE OF WALL LAMPS WITH DIRECT-INDIRECT LIGHTING USING 1x24W AND 1x80W T16, AND 2x55W TC-LEL FLUORESCENT LAMPS.
- EXTRUDED ALUMINIUM BODY WITH WHITE OR GREY PAINT FINISH, AND 4MM THICK SCREEN-PRINTED TEMPERED GLASS.
- 3 SIZE OPTIONS: 100x587MM, 100x1487MM AND 211x587MM.
- LIGHT DISTRIBUTION: 82% INDIRECT AND 18% DIRECT (TC-LEL VERSION), 86% INDIRECT AND 14% DIRECT (T16).
- ELECTRONIC CONTROL GEAR.
- OPTIONAL EMERGENCY LIGHTING.
- POLYCARBONATE DUST-PROTECTION SCREEN.
- COMPLIES WITH STANDARD EN60598-1 AND OTHER SPECIFIC STANDARDS.







## KALIFA WALL TC-LEL

		 IP20 850° <span style="margin-left: 20px;">○ white <b>2</b></span> <span style="margin-left: 20px;">● grey <b>9</b></span>									
		TC-LEL (2G11)		<table border="1"> <thead> <tr> <th>CODE</th> <th>LIGHT SOURCE</th> <th>WEIGHT</th> </tr> </thead> <tbody> <tr> <td><b>M0243.0</b></td> <td>TC-LEL (2G11) 2x55W non dimmable</td> <td>3,20kg</td> </tr> <tr> <td><b>M0243.7</b></td> <td>TC-LEL (2G11) 2x55W non dimmable + emergency 1h</td> <td>3,80kg</td> </tr> </tbody> </table>	CODE	LIGHT SOURCE	WEIGHT	<b>M0243.0</b>	TC-LEL (2G11) 2x55W non dimmable	3,20kg	<b>M0243.7</b>
CODE	LIGHT SOURCE	WEIGHT									
<b>M0243.0</b>	TC-LEL (2G11) 2x55W non dimmable	3,20kg									
<b>M0243.7</b>	TC-LEL (2G11) 2x55W non dimmable + emergency 1h	3,80kg									

photometric data: see page 437.

## KALIFA WALL T16

		 IP20 850° <span style="margin-left: 20px;">○ white <b>2</b></span> <span style="margin-left: 20px;">● grey <b>9</b></span>												
		T16 (G5)		<table border="1"> <thead> <tr> <th>CODE</th> <th>LIGHT SOURCE</th> <th>LENGTH</th> <th>WEIGHT</th> </tr> </thead> <tbody> <tr> <td><b>M0241.0</b></td> <td>T16 (G5) 1x24W non dimmable</td> <td>587mm</td> <td>1,90kg</td> </tr> <tr> <td><b>M0242.0</b></td> <td>T16 (G5) 1x80W non dimmable</td> <td>1487mm</td> <td>3,70kg</td> </tr> </tbody> </table>	CODE	LIGHT SOURCE	LENGTH	WEIGHT	<b>M0241.0</b>	T16 (G5) 1x24W non dimmable	587mm	1,90kg	<b>M0242.0</b>	T16 (G5) 1x80W non dimmable
CODE	LIGHT SOURCE	LENGTH	WEIGHT											
<b>M0241.0</b>	T16 (G5) 1x24W non dimmable	587mm	1,90kg											
<b>M0242.0</b>	T16 (G5) 1x80W non dimmable	1487mm	3,70kg											

photometric data: see page 437.



INNOWATIO SPA, KILOMETRO ROSSO SCIENCE & TECHNOLOGY PARK, BERGAMO (I), GIOVANNI RIZZI ARCHITETTO.



CREDIT SUISSE HQ'S, ROME (I), PROGETTO CMR.


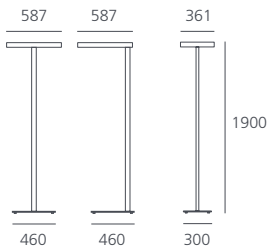





# KALIFA FLOOR



- A RANGE OF FLOOR LAMPS WITH DIRECT-INDIRECT LIGHTING USING 55W AND 80W TC-LEL FLUORESCENT LAMPS.
- OPTICAL UNIT AND POLE IN EXTRUDED ALUMINIUM WITH A WHITE OR GREY PAINT FINISH.
- STEEL BASE.
- 3 VERSIONS: **COMFORT**, **DARK LIGHT** AND **PRISMOPTIC**.
- 4MM THICK SCREEN-PRINTED TEMPERED GLASS **COMFORT** DIFFUSER: LIGHT DISTRIBUTION: 87% INDIRECT AND 13% DIRECT.
- ALUMINIUM **DARK LIGHT** OPTIC: LIGHT OUTPUT RATIO 62%. LIGHT DISTRIBUTION: 73% INDIRECT AND 27% DIRECT.
- POLYCARBONATE **PRISMOPTIC** DIFFUSER: LIGHT OUTPUT RATIO OF UP TO 71%. LIGHT DISTRIBUTION: 76% INDIRECT AND 24% DIRECT (**KALIFA FLOOR PRISMOPTIC III**).
- 4 LEVELS OF ELECTRONIC LIGHT MANAGEMENT: ELECTRONIC BALLAST WITH TWIN SWITCH (50%/100%), DIMMING CONTROL WITH MANUAL LIGHT INTENSITY ADJUSTMENT, SIMPLE MOTION SENSOR WITH AUTOMATIC ON/OFF SWITCHING BASED ON PRESENCE AND LIGHT LEVEL, AND **INTERACTIVE-DALI** SYSTEM COMBINING A MOVEMENT DETECTOR AND A DAYLIGHT SENSOR FOR AUTO-REGULATION IN RELATION TO PEOPLE PRESENCE AND VARIATIONS IN DAYLIGHT.
- POLYCARBONATE DUST-PROTECTION SCREEN AS AN OPTIONAL EXTRA.
- COMPLIES WITH STANDARD EN60598-1 AND OTHER SPECIFIC STANDARDS.



# KALIFA FLOOR COMFORT


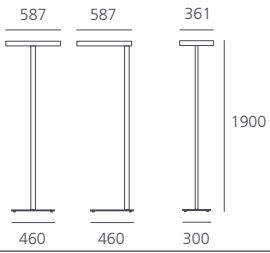

		 IP20  0.8  white <b>2</b>  grey <b>9</b>																																			
		<b>TC-LEL (2G11)</b> 																																			
	<table border="1"> <thead> <tr> <th>CODE</th> <th>LIGHT SOURCE</th> <th>POLE</th> <th>WEIGHT</th> </tr> </thead> <tbody> <tr> <td><b>M1680.0</b></td> <td>TC-LEL (2G11) 4x55W non dimmable</td> <td>central</td> <td>15,00kg</td> </tr> <tr> <td><b>M1680.1</b></td> <td>TC-LEL (2G11) 4x55W dimmable</td> <td>central</td> <td>15,00kg</td> </tr> <tr> <td><b>M1680.6</b></td> <td>TC-LEL (2G11) 4x55W INTERACTIVE-DALI</td> <td>central</td> <td>15,00kg</td> </tr> <tr> <td><b>M1680.9</b></td> <td>TC-LEL (2G11) 4x55W movement detector</td> <td>central</td> <td>15,00kg</td> </tr> <tr> <td><b>M1678.0</b></td> <td>TC-LEL (2G11) 4x55W non dimmable</td> <td>side</td> <td>15,00kg</td> </tr> <tr> <td><b>M1678.1</b></td> <td>TC-LEL (2G11) 4x55W dimmable</td> <td>side</td> <td>15,00kg</td> </tr> <tr> <td><b>M1678.6</b></td> <td>TC-LEL (2G11) 4x55W INTERACTIVE-DALI</td> <td>side</td> <td>15,00kg</td> </tr> <tr> <td><b>M1678.9</b></td> <td>TC-LEL (2G11) 4x55W movement detector</td> <td>side</td> <td>15,00kg</td> </tr> </tbody> </table>	CODE	LIGHT SOURCE	POLE	WEIGHT	<b>M1680.0</b>	TC-LEL (2G11) 4x55W non dimmable	central	15,00kg	<b>M1680.1</b>	TC-LEL (2G11) 4x55W dimmable	central	15,00kg	<b>M1680.6</b>	TC-LEL (2G11) 4x55W INTERACTIVE-DALI	central	15,00kg	<b>M1680.9</b>	TC-LEL (2G11) 4x55W movement detector	central	15,00kg	<b>M1678.0</b>	TC-LEL (2G11) 4x55W non dimmable	side	15,00kg	<b>M1678.1</b>	TC-LEL (2G11) 4x55W dimmable	side	15,00kg	<b>M1678.6</b>	TC-LEL (2G11) 4x55W INTERACTIVE-DALI	side	15,00kg	<b>M1678.9</b>	TC-LEL (2G11) 4x55W movement detector	side	15,00kg
CODE	LIGHT SOURCE	POLE	WEIGHT																																		
<b>M1680.0</b>	TC-LEL (2G11) 4x55W non dimmable	central	15,00kg																																		
<b>M1680.1</b>	TC-LEL (2G11) 4x55W dimmable	central	15,00kg																																		
<b>M1680.6</b>	TC-LEL (2G11) 4x55W INTERACTIVE-DALI	central	15,00kg																																		
<b>M1680.9</b>	TC-LEL (2G11) 4x55W movement detector	central	15,00kg																																		
<b>M1678.0</b>	TC-LEL (2G11) 4x55W non dimmable	side	15,00kg																																		
<b>M1678.1</b>	TC-LEL (2G11) 4x55W dimmable	side	15,00kg																																		
<b>M1678.6</b>	TC-LEL (2G11) 4x55W INTERACTIVE-DALI	side	15,00kg																																		
<b>M1678.9</b>	TC-LEL (2G11) 4x55W movement detector	side	15,00kg																																		

photometric data: see page 430.



ABOVE AND PAGE 279: INNOWATIO SPA, KILOMETRO ROSSO SCIENCE & TECHNOLOGY PARK, BERGAMO (I), GIOVANNI RIZZI ARCHITETTO.

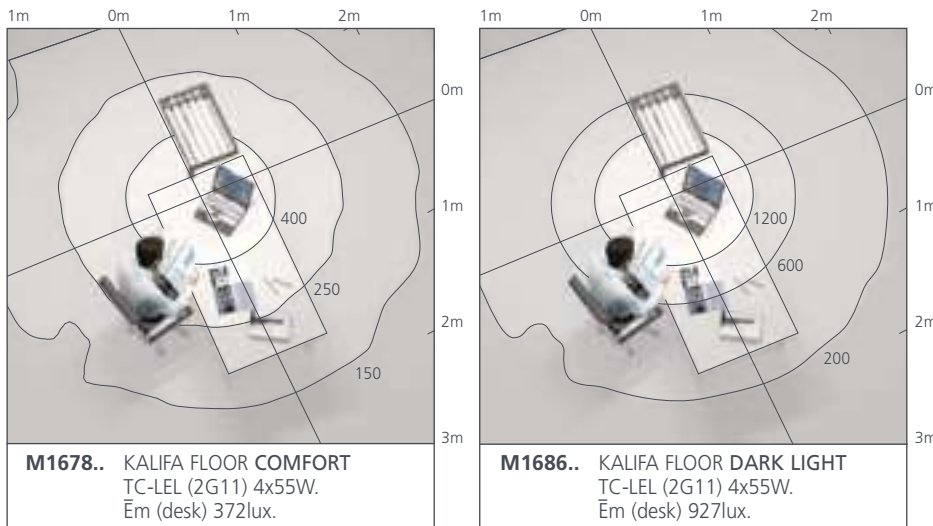
## KALIFA FLOOR DARK LIGHT

				
	Ⓧ IP20    ○ white <b>2</b> ● grey <b>9</b>			
TC-LEL (2G11) 	<b>CODE</b>	<b>LIGHT SOURCE</b>	<b>POLE</b>	<b>WEIGHT</b>
	<b>M1685.0</b>	TC-LEL (2G11) 4x55W non dimmable	central	15,00kg
	<b>M1685.1</b>	TC-LEL (2G11) 4x55W dimmable	central	15,00kg
	<b>M1685.6</b>	TC-LEL (2G11) 4x55W INTERACTIVE-DALI	central	15,00kg
	<b>M1685.9</b>	TC-LEL (2G11) 4x55W movement detector	central	15,00kg
	<b>M1686.0</b>	TC-LEL (2G11) 4x55W non dimmable	side	15,00kg
	<b>M1686.1</b>	TC-LEL (2G11) 4x55W dimmable	side	15,00kg
	<b>M1686.6</b>	TC-LEL (2G11) 4x55W INTERACTIVE-DALI	side	15,00kg
	<b>M1686.9</b>	TC-LEL (2G11) 4x55W movement detector	side	15,00kg

photometric data: see page 430.

## KALIFA FLOOR ISOLUX


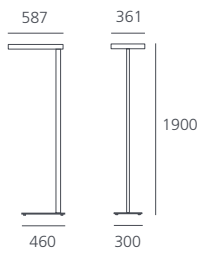


Calculation parameters for issuing isolux diagrams: Office with one work station. Length x width x height 5,00x5,00x2,70m. Reflectance factors ceiling/walls/floor: 70/50/20%. Working plane 1,60x0,80x0,75m. Maintenance factor 0,90WF.



## KALIFA FLOOR ACCESSORIES

	<b>M168200</b> Polycarbonate dust-protection screen. Suitable only for KALIFA FLOOR COMFORT or DARK LIGHT.		<b>M104900</b> INTERACTIVE-DALI remote control.
---	--	--	---

# KALIFA FLOOR PRISMOPTIC I


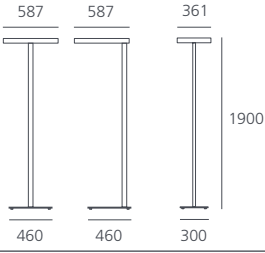

			
	IP20  ○ white <b>2</b> ● grey <b>9</b>		
TC-LEL (2G11) 	<b>CODE</b>	<b>LIGHT SOURCE</b>	<b>WEIGHT</b>
	<b>M1684.0</b>	TC-LEL (2G11) 4x55W non dimmable	14,00kg
	<b>M1684.1</b>	TC-LEL (2G11) 4x55W dimmable	14,00kg
	<b>M1684.6</b>	TC-LEL (2G11) 4x55W INTERACTIVE-DALI	14,00kg
	<b>M1684.9</b>	TC-LEL (2G11) 4x55W movement detector	14,00kg

photometric data: see page 430.




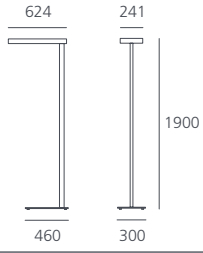

ASSOCIAZIONE BANCARIA ITALIANA, ROME (I), PROGETTO CMR.

## KALIFA FLOOR PRISMOPTIC II

				
	⚡ IP20   ○ white <b>2</b> ● grey <b>9</b>			
TC-LEL (2G11) 	<b>CODE</b>	<b>LIGHT SOURCE</b>	<b>POLE</b>	<b>WEIGHT</b>
	<b>M1687.0</b>	TC-LEL (2G11) 4x55W non dimmable	central	14,00kg
	<b>M1687.1</b>	TC-LEL (2G11) 4x55W dimmable	central	14,00kg
	<b>M1687.6</b>	TC-LEL (2G11) 4x55W INTERACTIVE-DALI	central	14,00kg
	<b>M1687.9</b>	TC-LEL (2G11) 4x55W movement detector	central	14,00kg
	<b>M1688.0</b>	TC-LEL (2G11) 4x55W non dimmable	side	14,00kg
	<b>M1688.1</b>	TC-LEL (2G11) 4x55W dimmable	side	14,00kg
	<b>M1688.6</b>	TC-LEL (2G11) 4x55W INTERACTIVE-DALI	side	14,00kg
	<b>M1688.9</b>	TC-LEL (2G11) 4x55W movement detector	side	14,00kg

photometric data: see page 431.

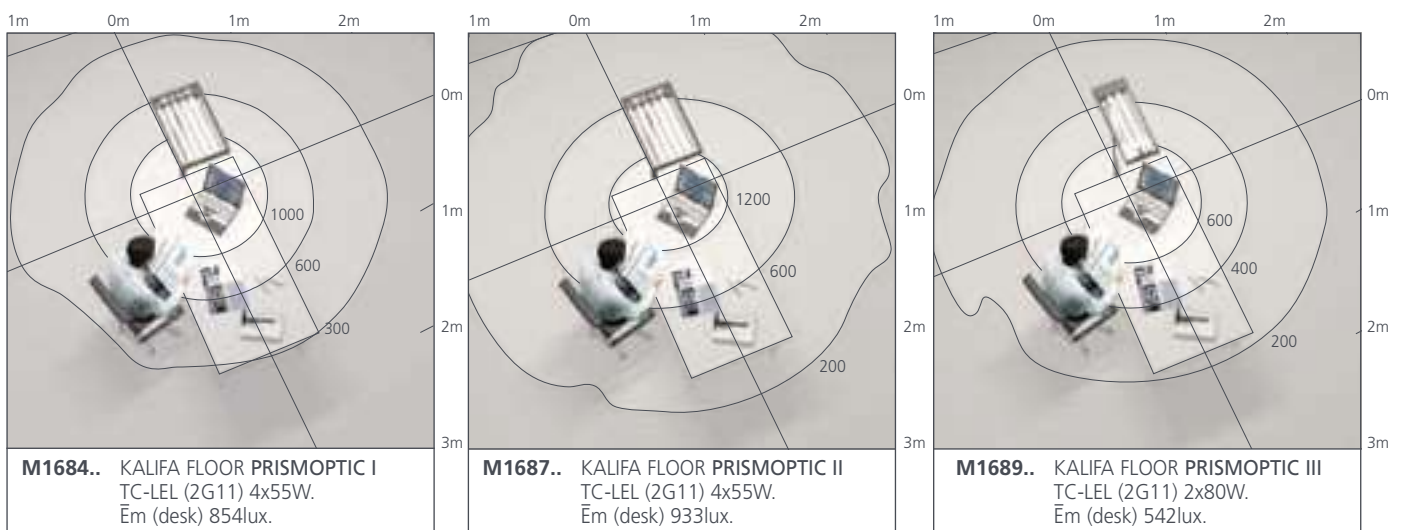
## KALIFA FLOOR PRISMOPTIC III

			
	⚡ IP20   ○ white <b>2</b> ● grey <b>9</b>		
TC-LEL (2G11) 	<b>CODE</b>	<b>LIGHT SOURCE</b>	<b>WEIGHT</b>
	<b>M1689.0</b>	TC-LEL (2G11) 2x80W non dimmable	13,50kg
	<b>M1689.1</b>	TC-LEL (2G11) 2x80W dimmable	13,50kg
	<b>M1689.6</b>	TC-LEL (2G11) 2x80W INTERACTIVE-DALI	13,50kg

photometric data: see page 431.

## KALIFA FLOOR PRISMOPTIC ISOLUX

Calculation parameters for issuing isolux diagrams: **Office with one work station**. Length x width x height 5,00x5,00x2,70m. Reflectance factors ceiling/walls/floor: 70/50/20%. Working plane 1,60x0,80x0,75m. Maintenance factor 0,90WF.



## KALIFA FLOOR ACCESSORIES

	<b>M104900</b> INTERACTIVE-DALI remote control.
---	---

# KALIFA RECESSED



- A RANGE OF RECESSED LUMINAIRES USING FLUORESCENT LAMPS, AVAILABLE IN 2 VERSIONS: **SOFT LIGHT** (2x55W TC-LEL), AND COMBINED EMISSION **DARK LIGHT + DIFFUSER** (4x24W T16).
- SUITABLE FOR INSTALLATION INTO FALSE CEILING SYSTEMS WITH 600x600MM AND 625x625MM MODULES, OR INTO PLASTERBOARD FALSE CEILINGS USING A SPECIAL RECESSING FRAME (OPTIONAL).
- ELECTRONIC OR DALI-SWITCHDIM DIMMABLE ELECTRONIC BALLAST, OR EMERGENCY LIGHTING.
- COMPLIES WITH STANDARD EN60598-1 AND OTHER SPECIFIC STANDARDS.

## SOFT LIGHT

STEEL MAIN REFLECTOR, WITH WHITE PAINT FINISH.  
4MM THICK SCREEN-PRINTED TEMPERED GLASS.


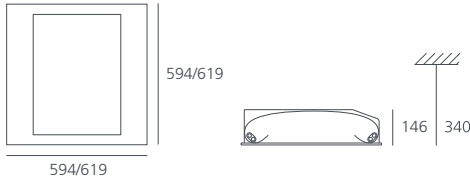


## DARK LIGHT + DIFFUSER

BODY IN GALVANIZED STEEL. 4MM THICK SCREEN-PRINTED TEMPERED DIFFUSING GLASS. DARK LIGHT OPTICS.




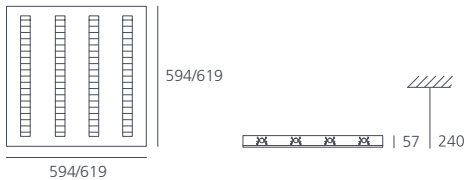


NORTH WOOLWICH LIBRARY, LONDON (UK), FAULKNERBROWNS ARCHITECTS.

## KALIFA RECESSED SOFT LIGHT

				
				
TC-LEL (2G11) 	<b>CODE</b>	<b>LIGHT SOURCE</b>	<b>FALSE CEILING</b>	<b>WEIGHT</b>
	<b>M160400</b>	TC-LEL (2G11) 2x55W non dimmable	600x600mm	9,90kg
	<b>M160401</b>	TC-LEL (2G11) 2x55W dimmable DALI	600x600mm	9,90kg
	<b>M160407</b>	TC-LEL (2G11) 2x55W non dimmable + emergency 1h	600x600mm	10,50kg
	<b>M160402</b>	TC-LEL (2G11) 2x55W non dimmable	625x625mm	10,30kg
	<b>M160421</b>	TC-LEL (2G11) 2x55W dimmable DALI	625x625mm	10,30kg

photometric data: see page 425.

## KALIFA RECESSED DARK LIGHT + DIFFUSER

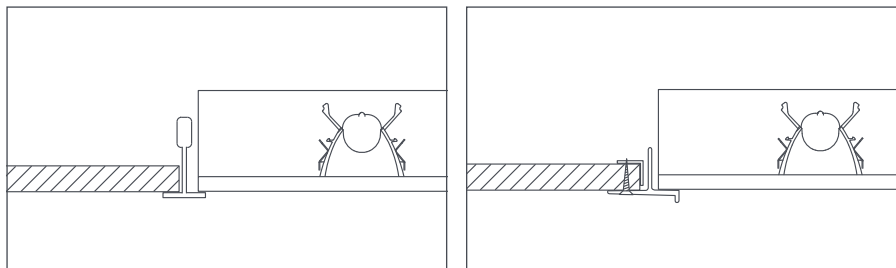
				
				
T16 (G5) 	<b>CODE</b>	<b>LIGHT SOURCE</b>	<b>FALSE CEILING</b>	<b>WEIGHT</b>
	<b>M160700</b>	T16 (G5) 4x24W non dimmable	600x600mm	9,20kg
	<b>M160701</b>	T16 (G5) 4x14-24W dimmable DALI	600x600mm	9,20kg
	<b>M160707</b>	T16 (G5) 4x24W non dimmable + emergency 1h	600x600mm	9,80kg
	<b>M160702</b>	T16 (G5) 4x24W non dimmable	625x625mm	9,60kg
	<b>M160721</b>	T16 (G5) 4x14-24W dimmable DALI	625x625mm	9,60kg

photometric data: see page 425.

## KALIFA RECESSED ACCESSORIES

	Recess frame for installation on plasterboard false ceiling.		INTERACTIVE-DALI components: see page 409.
	<b>M160600</b> 600x600mm.  606x606mm. 0,90kg. <b>M160602</b> 625x625mm.  633x633mm. 0,94kg.		

## KALIFA RECESSED INSTALLATION



INSTALLATION WITH LUMINAIRE INCORPORATED INTO THE 600/625 MODULAR CEILING STRUCTURE.

INSTALLATION INTO PLASTER CEILING WITH OPTIONAL RECESS FRAME (M160600 OR M160602).

# KALIFA CEILING KALIFA SUSPENSION



- A RANGE OF LUMINAIRES USING T16 FLUORESCENT LAMPS, AVAILABLE IN 2 VERSIONS: CEILING MOUNTED OR PENDANT.
- EXTRUDED ALUMINIUM BODY WITH WHITE OR GREY PAINT FINISH, AND 4MM THICK SCREEN-PRINTED TEMPERED GLASS.
- ELECTRONIC CONTROL GEAR.
- COMPLIES WITH STANDARD EN60598-1 AND OTHER SPECIFIC STANDARDS.


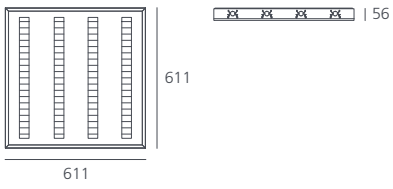


## CEILING

- CEILING FIXTURE USING 4x14W AND 4x24W T16 FLUORESCENT LAMPS.
- OPAQUE OR DIFFUSING SCREEN-PRINTED GLASS.
- DARK LIGHT OPTICS.
- LAMPS CAN BE MAINTAINED WITHOUT THE NEED FOR TOOLS.

## PENDANT


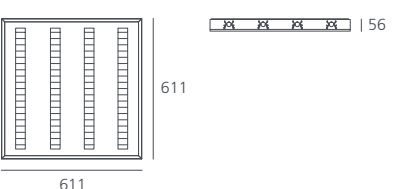


- SINGLE PENDANT WITH DIRECT-INDIRECT LIGHTING, USING 4x24W T16 FLUORESCENT LAMPS.
- LIGHT DISTRIBUTION: 81% INDIRECT AND 19% DIRECT.
- POLYCARBONATE DUST PROTECTION SCREEN.
- LUMINAIRE COMES COMPLETE WITH QUICK-ADJUSTMENT STEEL SUSPENSION CABLES, CEILING PLATE AND POWER CABLE.

## KALIFA CEILING DARK LIGHT + OPAQUE GLASS

		  IP20 850° IK10 (20j) <input type="radio"/> white <b>2</b> <input checked="" type="radio"/> grey <b>9</b>				
			<table border="1"> <thead> <tr> <th>CODE</th> <th>LIGHT SOURCE</th> <th>WEIGHT</th> </tr> </thead> <tbody> <tr> <td><b>M1610.0</b></td> <td>T16 (G5) 4x24W non dimmable</td> <td>8,50kg</td> </tr> </tbody> </table>	CODE	LIGHT SOURCE	WEIGHT
CODE	LIGHT SOURCE	WEIGHT				
<b>M1610.0</b>	T16 (G5) 4x24W non dimmable	8,50kg				


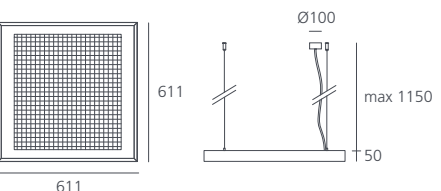


photometric data: see page 428.

## KALIFA CEILING DARK LIGHT + DIFFUSER

		  IP40 850° IK10 (20j) <input type="radio"/> white <b>2</b> <input checked="" type="radio"/> grey <b>9</b>							
			<table border="1"> <thead> <tr> <th>CODE</th> <th>LIGHT SOURCE</th> <th>WEIGHT</th> </tr> </thead> <tbody> <tr> <td><b>M1611.0</b></td> <td>T16 (G5) 4x14W non dimmable</td> <td>10,40kg</td> </tr> <tr> <td><b>M1612.0</b></td> <td>T16 (G5) 4x24W non dimmable</td> <td>10,40kg</td> </tr> </tbody> </table>	CODE	LIGHT SOURCE	WEIGHT	<b>M1611.0</b>	T16 (G5) 4x14W non dimmable	10,40kg
CODE	LIGHT SOURCE	WEIGHT							
<b>M1611.0</b>	T16 (G5) 4x14W non dimmable	10,40kg							
<b>M1612.0</b>	T16 (G5) 4x24W non dimmable	10,40kg							

photometric data: see page 428.

## KALIFA SUSPENSION

		  IP20 850° IK10 (20j) <input type="radio"/> white <b>2</b> <input checked="" type="radio"/> grey <b>9</b>				
			<table border="1"> <thead> <tr> <th>CODE</th> <th>LIGHT SOURCE</th> <th>WEIGHT</th> </tr> </thead> <tbody> <tr> <td><b>M1618.0</b></td> <td>T16 (G5) 4x24W non dimmable</td> <td>8,50kg</td> </tr> </tbody> </table>	CODE	LIGHT SOURCE	WEIGHT
CODE	LIGHT SOURCE	WEIGHT				
<b>M1618.0</b>	T16 (G5) 4x24W non dimmable	8,50kg				

photometric data: see page 433.



ADECCO ITALIA, MILAN (I), ARCH. MOSCHENI.



ARPA ADD-ARCHITECTURE AND DESIGN DISTRICT, PESARO (I), ARPA LAB.


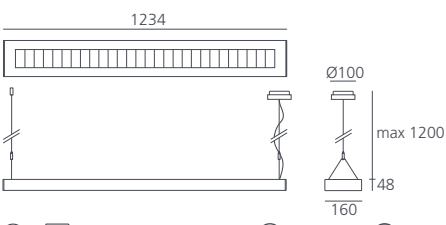

# NOTA BENE SYSTEM



- PENDANT SYSTEM WITH DIRECT-INDIRECT LIGHTING USING 28W AND 54W T16 FLUORESCENT LAMPS.
- AVAILABLE AS A SINGLE PENDANT LIGHT OR AS A MODULAR SYSTEM.
- STEEL BODY WITH A WHITE OR GREY PAINT FINISH, AVAILABLE IN LENGTHS OF 1234MM AND 2416MM.
- DARK LIGHT OPTIC MADE FROM SUPER PURE ALUMINIUM.
- DARK LIGHT EMISSION IS IN COMPLIANCE WITH EN 12464-1 STANDARD, WITH AVERAGE LUMINANCE LEVELS LOWER THAN THE 1000 CD/M<sup>2</sup> LIMIT FOR AN OBSERVATION ANGLE OF 65° OR ABOVE WITH RESPECT TO THE VERTICAL AXIS.
- LIGHT OUTPUT RATIO: 91% (1xT16) AND 87% (2xT16).
- LIGHT DISTRIBUTION: 65% INDIRECT AND 35% DIRECT (1xT16), 63% INDIRECT AND 37% DIRECT (2xT16).
- ELECTRONIC BALLAST OR DALI-SWITCHDIM DIMMABLE ELECTRONIC BALLAST.
- THE SYSTEM COMPRISES OF POWER SUPPLY UNITS WITH CEILING PLATE AND POWER SUPPLY CABLE, AND CONTINUITY MODULES.
- INTERMODULE MECHANICAL CONNECTION BY LINEAR OR 90° CONNECTORS.
- ELECTRICAL CONNECTION VIA QUICK CONNECTORS.
- QUICK ADJUSTMENT STEEL SUSPENSION CABLES.
- COMPLIES WITH STANDARD EN60598-1 AND OTHER SPECIFIC STANDARDS.


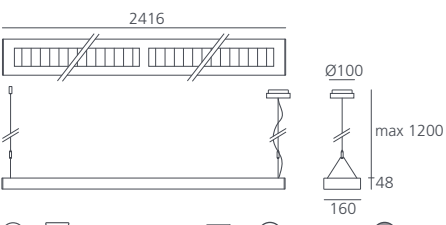



## NOTA BENE SUSPENSION 1200

																											
		T16 (G5)	<table border="1"> <thead> <tr> <th>CODE</th> <th>LIGHT SOURCE</th> <th>LENGTH</th> <th>WEIGHT</th> </tr> </thead> <tbody> <tr> <td><b>M1066.0</b></td> <td>T16 (G5) 1x28W non dimmable</td> <td>1234mm</td> <td>4,10kg</td> </tr> <tr> <td><b>M1067.0</b></td> <td>T16 (G5) 2x28W non dimmable</td> <td>1234mm</td> <td>4,20kg</td> </tr> <tr> <td><b>M1070.0</b></td> <td>T16 (G5) 1x54W non dimmable</td> <td>1234mm</td> <td>4,10kg</td> </tr> <tr> <td><b>M1071.0</b></td> <td>T16 (G5) 2x54W non dimmable</td> <td>1234mm</td> <td>4,20kg</td> </tr> <tr> <td><b>M1071.1</b></td> <td>T16 (G5) 2x28-54W dimmable DALI</td> <td>1234mm</td> <td>4,20kg</td> </tr> </tbody> </table>	CODE	LIGHT SOURCE	LENGTH	WEIGHT	<b>M1066.0</b>	T16 (G5) 1x28W non dimmable	1234mm	4,10kg	<b>M1067.0</b>	T16 (G5) 2x28W non dimmable	1234mm	4,20kg	<b>M1070.0</b>	T16 (G5) 1x54W non dimmable	1234mm	4,10kg	<b>M1071.0</b>	T16 (G5) 2x54W non dimmable	1234mm	4,20kg	<b>M1071.1</b>	T16 (G5) 2x28-54W dimmable DALI	1234mm	4,20kg
		CODE	LIGHT SOURCE	LENGTH	WEIGHT																						
		<b>M1066.0</b>	T16 (G5) 1x28W non dimmable	1234mm	4,10kg																						
		<b>M1067.0</b>	T16 (G5) 2x28W non dimmable	1234mm	4,20kg																						
		<b>M1070.0</b>	T16 (G5) 1x54W non dimmable	1234mm	4,10kg																						
<b>M1071.0</b>	T16 (G5) 2x54W non dimmable	1234mm	4,20kg																								
<b>M1071.1</b>	T16 (G5) 2x28-54W dimmable DALI	1234mm	4,20kg																								

photometric data: see page 434.

## NOTA BENE SUSPENSION 2400

																											
		T16 (G5)	<table border="1"> <thead> <tr> <th>CODE</th> <th>LIGHT SOURCE</th> <th>LENGTH</th> <th>WEIGHT</th> </tr> </thead> <tbody> <tr> <td><b>M1068.0</b></td> <td>T16 (G5) 2x28W non dimmable</td> <td>2416mm</td> <td>7,90kg</td> </tr> <tr> <td><b>M1069.0</b></td> <td>T16 (G5) 4x28W non dimmable</td> <td>2416mm</td> <td>8,10kg</td> </tr> <tr> <td><b>M1072.0</b></td> <td>T16 (G5) 2x54W non dimmable</td> <td>2416mm</td> <td>7,90kg</td> </tr> <tr> <td><b>M1073.0</b></td> <td>T16 (G5) 4x54W non dimmable</td> <td>2416mm</td> <td>8,10kg</td> </tr> <tr> <td><b>M1073.1</b></td> <td>T16 (G5) 4x28-54W dimmable DALI</td> <td>2416mm</td> <td>8,10kg</td> </tr> </tbody> </table>	CODE	LIGHT SOURCE	LENGTH	WEIGHT	<b>M1068.0</b>	T16 (G5) 2x28W non dimmable	2416mm	7,90kg	<b>M1069.0</b>	T16 (G5) 4x28W non dimmable	2416mm	8,10kg	<b>M1072.0</b>	T16 (G5) 2x54W non dimmable	2416mm	7,90kg	<b>M1073.0</b>	T16 (G5) 4x54W non dimmable	2416mm	8,10kg	<b>M1073.1</b>	T16 (G5) 4x28-54W dimmable DALI	2416mm	8,10kg
		CODE	LIGHT SOURCE	LENGTH	WEIGHT																						
		<b>M1068.0</b>	T16 (G5) 2x28W non dimmable	2416mm	7,90kg																						
		<b>M1069.0</b>	T16 (G5) 4x28W non dimmable	2416mm	8,10kg																						
		<b>M1072.0</b>	T16 (G5) 2x54W non dimmable	2416mm	7,90kg																						
<b>M1073.0</b>	T16 (G5) 4x54W non dimmable	2416mm	8,10kg																								
<b>M1073.1</b>	T16 (G5) 4x28-54W dimmable DALI	2416mm	8,10kg																								

photometric data: see page 434.




## NOTA BENE SUSPENSION ACCESSORIES

<b>INTERACTIVE-DALI TECHNOLOGY</b>	INTERACTIVE-DALI components: see page 409.
--	---












NOTA BENE SYSTEM WITH LINEAR CONNECTOR.

# NOTA BENE SYSTEM

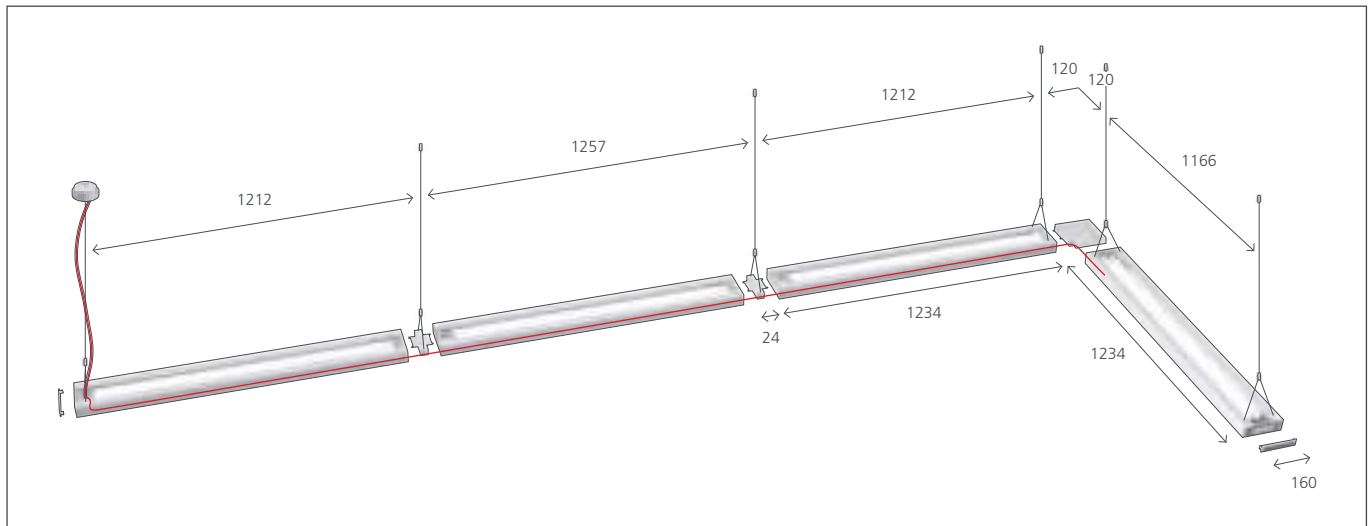
																																														
	<table border="1"> <thead> <tr> <th>CODE</th> <th>LIGHT SOURCE</th> <th>WEIGHT</th> </tr> </thead> <tbody> <tr> <td colspan="3"><b>FEEDER MODULES</b></td> </tr> <tr> <td><b>M1084.0</b></td> <td>T16 (G5) 1x28W non dimmable</td> <td>3,90kg</td> </tr> <tr> <td><b>M1085.0</b></td> <td>T16 (G5) 2x28W non dimmable</td> <td>4,00kg</td> </tr> <tr> <td><b>M1075.0</b></td> <td>T16 (G5) 1x54W non dimmable</td> <td>3,90kg</td> </tr> <tr> <td><b>M1076.0</b></td> <td>T16 (G5) 2x54W non dimmable</td> <td>4,00kg</td> </tr> <tr> <td><b>M1076.7</b></td> <td>T16 (G5) 2x54W non dimmable + emergency 1h</td> <td>4,60kg</td> </tr> <tr> <td><b>M1076.1</b></td> <td>T16 (G5) 2x28-54W dimmable DALI</td> <td>4,00kg</td> </tr> <tr> <td colspan="3"><b>CONTINUITY MODULES</b></td> </tr> <tr> <td><b>M1086.0</b></td> <td>T16 (G5) 1x28W non dimmable</td> <td>3,70kg</td> </tr> <tr> <td><b>M1087.0</b></td> <td>T16 (G5) 2x28W non dimmable</td> <td>3,80kg</td> </tr> <tr> <td><b>M1077.0</b></td> <td>T16 (G5) 1x54W non dimmable</td> <td>3,70kg</td> </tr> <tr> <td><b>M1078.0</b></td> <td>T16 (G5) 2x54W non dimmable</td> <td>3,80kg</td> </tr> <tr> <td><b>M1078.7</b></td> <td>T16 (G5) 2x54W non dimmable + emergency 1h</td> <td>4,40kg</td> </tr> <tr> <td><b>M1078.1</b></td> <td>T16 (G5) 2x28-54W dimmable DALI</td> <td>3,80kg</td> </tr> </tbody> </table>	CODE	LIGHT SOURCE	WEIGHT	<b>FEEDER MODULES</b>			<b>M1084.0</b>	T16 (G5) 1x28W non dimmable	3,90kg	<b>M1085.0</b>	T16 (G5) 2x28W non dimmable	4,00kg	<b>M1075.0</b>	T16 (G5) 1x54W non dimmable	3,90kg	<b>M1076.0</b>	T16 (G5) 2x54W non dimmable	4,00kg	<b>M1076.7</b>	T16 (G5) 2x54W non dimmable + emergency 1h	4,60kg	<b>M1076.1</b>	T16 (G5) 2x28-54W dimmable DALI	4,00kg	<b>CONTINUITY MODULES</b>			<b>M1086.0</b>	T16 (G5) 1x28W non dimmable	3,70kg	<b>M1087.0</b>	T16 (G5) 2x28W non dimmable	3,80kg	<b>M1077.0</b>	T16 (G5) 1x54W non dimmable	3,70kg	<b>M1078.0</b>	T16 (G5) 2x54W non dimmable	3,80kg	<b>M1078.7</b>	T16 (G5) 2x54W non dimmable + emergency 1h	4,40kg	<b>M1078.1</b>	T16 (G5) 2x28-54W dimmable DALI	3,80kg
CODE	LIGHT SOURCE	WEIGHT																																												
<b>FEEDER MODULES</b>																																														
<b>M1084.0</b>	T16 (G5) 1x28W non dimmable	3,90kg																																												
<b>M1085.0</b>	T16 (G5) 2x28W non dimmable	4,00kg																																												
<b>M1075.0</b>	T16 (G5) 1x54W non dimmable	3,90kg																																												
<b>M1076.0</b>	T16 (G5) 2x54W non dimmable	4,00kg																																												
<b>M1076.7</b>	T16 (G5) 2x54W non dimmable + emergency 1h	4,60kg																																												
<b>M1076.1</b>	T16 (G5) 2x28-54W dimmable DALI	4,00kg																																												
<b>CONTINUITY MODULES</b>																																														
<b>M1086.0</b>	T16 (G5) 1x28W non dimmable	3,70kg																																												
<b>M1087.0</b>	T16 (G5) 2x28W non dimmable	3,80kg																																												
<b>M1077.0</b>	T16 (G5) 1x54W non dimmable	3,70kg																																												
<b>M1078.0</b>	T16 (G5) 2x54W non dimmable	3,80kg																																												
<b>M1078.7</b>	T16 (G5) 2x54W non dimmable + emergency 1h	4,40kg																																												
<b>M1078.1</b>	T16 (G5) 2x28-54W dimmable DALI	3,80kg																																												

photometric data: see page 434.

## NOTA BENE SYSTEM COMPONENTS

	<b>M108020</b> Decorative end cover (set of 2).   grey		<b>M108320</b> Steel suspension cable. 1200mm.
	<b>M1081.0</b> Linear connector. 23x139x27mm.   white <b>2</b>  grey <b>9</b>	<b>INTERACTIVE-DALI TECHNOLOGY</b>	<b>INTERACTIVE-DALI components:</b> see page 409.
	<b>M1082.0</b> L-shaped connector. 160x160x27mm.   white <b>2</b>  grey <b>9</b>		

## NOTA BENE SYSTEM



# NOTA BENE CEILING





- SINGLE CEILING LIGHTS USING 1x54W OR 2x54W T16 FLUORESCENT LIGHT SOURCE.
- TWO LIGHTING OPTIONS: DARK LIGHT AND WALL WASHER.
- STEEL BODY WITH A WHITE OR GREY PAINT FINISH.
- ELECTRONIC CONTROL GEAR, WITH OR WITHOUT DIMMING (DALI-SWITCHDIM).
- LAMPS CAN BE MAINTAINED WITHOUT REMOVING THE LUMINAIRE.
- COMPLIES WITH STANDARD EN60598-1 AND OTHER SPECIFIC STANDARDS.


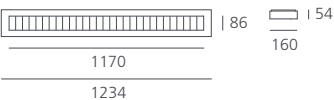





#### **NOTA BENE CEILING DARK LIGHT**

- SUPER PURE ALUMINUM DARK LIGHT OPTICS.
- DARK LIGHT EMISSION IS IN COMPLIANCE WITH EN 12464-1 STANDARD, WITH AVERAGE LUMINANCE LEVELS LOWER THAN THE 1000CD/M<sup>2</sup> LIMIT FOR AN OBSERVATION ANGLE OF 65° OR ABOVE WITH RESPECT TO THE VERTICAL AXIS.
- LIGHT OUTPUT RATIO 71%.
- EMERGENCY LIGHTING AS AN OPTIONAL EXTRA.

#### **NOTA BENE CEILING WALL WASHER**


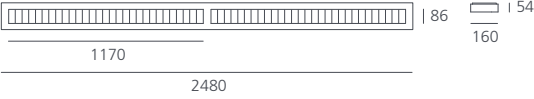





- ASYMMETRIC ALUMINUM REFLECTOR.

## NOTA BENE CEILING 1200 DARK LIGHT

		    white <b>2</b>  grey <b>9</b>																		
			<table border="1"> <thead> <tr> <th>T16 (G5)</th> <th>CODE</th> <th>LIGHT SOURCE</th> <th>LENGTH</th> <th>WEIGHT</th> </tr> </thead> <tbody> <tr> <td></td> <td><b>M1090.0</b></td> <td>T16 (G5) 1x54W non dimmable</td> <td>1234mm</td> <td>4,10kg</td> </tr> <tr> <td></td> <td><b>M1090.7</b></td> <td>T16 (G5) 1x54W non dimmable + emergency 1h</td> <td>1234mm</td> <td>4,80kg</td> </tr> <tr> <td></td> <td><b>M1090.1</b></td> <td>T16 (G5) 1x54W dimmable DALI</td> <td>1234mm</td> <td>4,20kg</td> </tr> </tbody> </table>	T16 (G5)	CODE	LIGHT SOURCE	LENGTH	WEIGHT		<b>M1090.0</b>	T16 (G5) 1x54W non dimmable	1234mm	4,10kg		<b>M1090.7</b>	T16 (G5) 1x54W non dimmable + emergency 1h	1234mm	4,80kg		<b>M1090.1</b>
T16 (G5)	CODE	LIGHT SOURCE	LENGTH	WEIGHT																
	<b>M1090.0</b>	T16 (G5) 1x54W non dimmable	1234mm	4,10kg																
	<b>M1090.7</b>	T16 (G5) 1x54W non dimmable + emergency 1h	1234mm	4,80kg																
	<b>M1090.1</b>	T16 (G5) 1x54W dimmable DALI	1234mm	4,20kg																

photometric data: see page 428.

## NOTA BENE CEILING 2400 DARK LIGHT




		    white <b>2</b>  grey <b>9</b>													
			<table border="1"> <thead> <tr> <th>T16 (G5)</th> <th>CODE</th> <th>LIGHT SOURCE</th> <th>LENGTH</th> <th>WEIGHT</th> </tr> </thead> <tbody> <tr> <td></td> <td><b>M1091.0</b></td> <td>T16 (G5) 2x1x54W non dimmable</td> <td>2480mm</td> <td>7,90kg</td> </tr> <tr> <td></td> <td><b>M1091.1</b></td> <td>T16 (G5) 2x28-54W dimmable DALI</td> <td>2480mm</td> <td>8,10kg</td> </tr> </tbody> </table>	T16 (G5)	CODE	LIGHT SOURCE	LENGTH	WEIGHT		<b>M1091.0</b>	T16 (G5) 2x1x54W non dimmable	2480mm	7,90kg		<b>M1091.1</b>
T16 (G5)	CODE	LIGHT SOURCE	LENGTH	WEIGHT											
	<b>M1091.0</b>	T16 (G5) 2x1x54W non dimmable	2480mm	7,90kg											
	<b>M1091.1</b>	T16 (G5) 2x28-54W dimmable DALI	2480mm	8,10kg											

photometric data: see page 428.

## NOTA BENE CEILING ACCESSORIES




<p>INTERACTIVE-DALI TECHNOLOGY</p>	<p>INTERACTIVE-DALI components: see page 409.</p>
--	---

## NOTA BENE CEILING 1200 WALL WASHER

			○ white <b>2</b> ● grey <b>9</b>												
				T16 (G5)											
	<table border="1"> <thead> <tr> <th>CODE</th> <th>LIGHT SOURCE</th> <th>LENGTH</th> <th>WEIGHT</th> </tr> </thead> <tbody> <tr> <td><b>M1092.0</b></td> <td>T16 (G5) 1x54W non dimmable</td> <td>1270mm</td> <td>4,10kg</td> </tr> <tr> <td><b>M1092.1</b></td> <td>T16 (G5) 1x54W dimmable DALI</td> <td>1270mm</td> <td>4,20kg</td> </tr> </tbody> </table>	CODE	LIGHT SOURCE	LENGTH	WEIGHT	<b>M1092.0</b>	T16 (G5) 1x54W non dimmable	1270mm	4,10kg	<b>M1092.1</b>	T16 (G5) 1x54W dimmable DALI	1270mm	4,20kg		
CODE	LIGHT SOURCE	LENGTH	WEIGHT												
<b>M1092.0</b>	T16 (G5) 1x54W non dimmable	1270mm	4,10kg												
<b>M1092.1</b>	T16 (G5) 1x54W dimmable DALI	1270mm	4,20kg												

photometric data: see page 428.

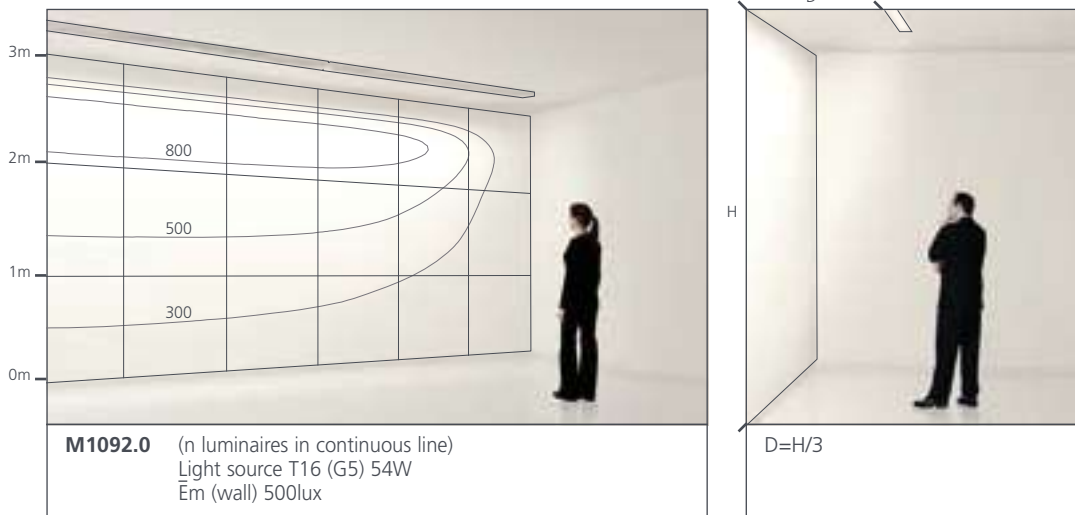
## NOTA BENE CEILING 2400 WALL WASHER

			○ white <b>2</b> ● grey <b>9</b>												
				T16 (G5)											
	<table border="1"> <thead> <tr> <th>CODE</th> <th>LIGHT SOURCE</th> <th>LENGTH</th> <th>WEIGHT</th> </tr> </thead> <tbody> <tr> <td><b>M1093.0</b></td> <td>T16 (G5) 2x1x54W non dimmable</td> <td>2480mm</td> <td>7,90kg</td> </tr> <tr> <td><b>M1093.1</b></td> <td>T16 (G5) 2x28-54W dimmable DALI</td> <td>2480mm</td> <td>8,10kg</td> </tr> </tbody> </table>	CODE	LIGHT SOURCE	LENGTH	WEIGHT	<b>M1093.0</b>	T16 (G5) 2x1x54W non dimmable	2480mm	7,90kg	<b>M1093.1</b>	T16 (G5) 2x28-54W dimmable DALI	2480mm	8,10kg		
CODE	LIGHT SOURCE	LENGTH	WEIGHT												
<b>M1093.0</b>	T16 (G5) 2x1x54W non dimmable	2480mm	7,90kg												
<b>M1093.1</b>	T16 (G5) 2x28-54W dimmable DALI	2480mm	8,10kg												

photometric data: see page 428.

## NOTA BENE CEILING WALL WASHER ISOLUX

Calculation parameters for issuing isolux curve diagrams **54W (n luminaires in continuous line)**: Length x height 10,00x3,00m. Reflectance factors ceiling/walls/floor 70/50/20%. Distance from wall to illuminate 1,00m. Distance from side wall 1,00m. Maintenance factor 0,90WF.



# TALO SYSTEM

design NEIL POULTON





- DIRECT-INDIRECT PENDANT SYSTEM USING 1x54W, 1x80W AND 2x54W T16 FLUORESCENT LAMPS.
- AVAILABLE AS A SINGLE PENDANT LIGHT OR AS A MODULAR SYSTEM.
- EXTRUDED ALUMINIUM BODY WITH A WHITE OR GREY PAINT FINISH.
- END CAPS IN DIE-CAST ALUMINIUM.
- DARK LIGHT EMISSION IS IN COMPLIANCE WITH EN 12464-1 STANDARD, WITH AVERAGE LUMINANCE LEVELS LOWER THAN THE 1000 CD/M<sup>2</sup> LIMIT FOR AN OBSERVATION ANGLE OF 65° OR ABOVE WITH RESPECT TO THE VERTICAL AXIS.
- LIGHT OUTPUT RATIO: 62%.
- LIGHT DISTRIBUTION: 50% INDIRECT AND 50% DIRECT.
- ELECTRONIC BALLAST OR DALI-SWITCHDIM DIMMABLE ELECTRONIC BALLAST.
- THE SYSTEM COMPRISES OF POWER SUPPLY UNITS WITH CEILING PLATE AND POWER SUPPLY CABLE, AND CONTINUITY MODULES.
- INTERMODULE MECHANICAL CONNECTION BY LINEAR OR 90° CONNECTORS.
- ELECTRICAL CONNECTION VIA QUICK CONNECTORS.
- QUICK ADJUSTMENT STEEL SUSPENSION CABLES.
- COMPLIES WITH STANDARD EN60598-1 AND OTHER SPECIFIC STANDARDS.


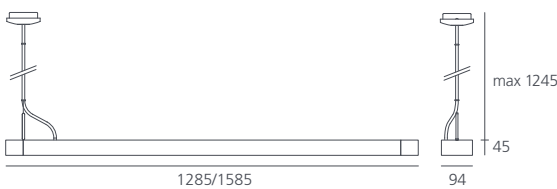



PALAZZO ITALIA, BERLIN (D).




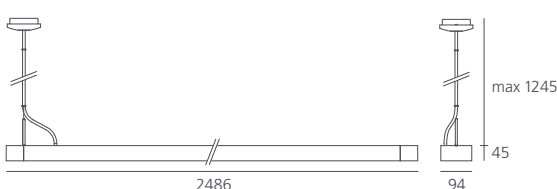



## TALO SYSTEM SUSPENSION 1200/1500

																					
		T16 (G5)	<table border="1"> <thead> <tr> <th>CODE</th> <th>LIGHT SOURCE</th> <th>LENGTH</th> <th>WEIGHT</th> </tr> </thead> <tbody> <tr> <td><b>M1358.0</b></td> <td>T16 (G5) 1x54W non dimmable</td> <td>1285mm</td> <td>4,20kg</td> </tr> <tr> <td><b>M1359.0</b></td> <td>T16 (G5) 1x80W non dimmable</td> <td>1585mm</td> <td>4,80kg</td> </tr> <tr> <td><b>M1358.1</b></td> <td>T16 (G5) 1x54W dimmable DALI</td> <td>1285mm</td> <td>4,20kg</td> </tr> <tr> <td><b>M1359.1</b></td> <td>T16 (G5) 1x80W dimmable DALI</td> <td>1585mm</td> <td>4,80kg</td> </tr> </tbody> </table>	CODE	LIGHT SOURCE	LENGTH	WEIGHT	<b>M1358.0</b>	T16 (G5) 1x54W non dimmable	1285mm	4,20kg	<b>M1359.0</b>	T16 (G5) 1x80W non dimmable	1585mm	4,80kg	<b>M1358.1</b>	T16 (G5) 1x54W dimmable DALI	1285mm	4,20kg	<b>M1359.1</b>	T16 (G5) 1x80W dimmable DALI
CODE	LIGHT SOURCE	LENGTH	WEIGHT																		
<b>M1358.0</b>	T16 (G5) 1x54W non dimmable	1285mm	4,20kg																		
<b>M1359.0</b>	T16 (G5) 1x80W non dimmable	1585mm	4,80kg																		
<b>M1358.1</b>	T16 (G5) 1x54W dimmable DALI	1285mm	4,20kg																		
<b>M1359.1</b>	T16 (G5) 1x80W dimmable DALI	1585mm	4,80kg																		

photometric data: see page 435.

## TALO SYSTEM SUSPENSION 2400


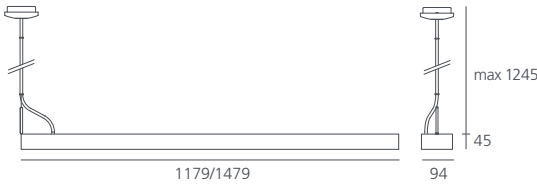
													
		T16 (G5)	<table border="1"> <thead> <tr> <th>CODE</th> <th>LIGHT SOURCE</th> <th>LENGTH</th> <th>WEIGHT</th> </tr> </thead> <tbody> <tr> <td><b>M1353.0</b></td> <td>T16 (G5) 2x54W non dimmable</td> <td>2486mm</td> <td>7,90kg</td> </tr> <tr> <td><b>M1353.1</b></td> <td>T16 (G5) 2x28-54W dimmable DALI</td> <td>2486mm</td> <td>8,10kg</td> </tr> </tbody> </table>	CODE	LIGHT SOURCE	LENGTH	WEIGHT	<b>M1353.0</b>	T16 (G5) 2x54W non dimmable	2486mm	7,90kg	<b>M1353.1</b>	T16 (G5) 2x28-54W dimmable DALI
CODE	LIGHT SOURCE	LENGTH	WEIGHT										
<b>M1353.0</b>	T16 (G5) 2x54W non dimmable	2486mm	7,90kg										
<b>M1353.1</b>	T16 (G5) 2x28-54W dimmable DALI	2486mm	8,10kg										

photometric data: see page 435.






TECNO CAR SERVICE, MILAN (I), PAOLO MANTERO.  
PAGE 298-299: OFFICES, 41 BENGAL ST., ANCOATS, MANCHESTER (UK), MBLA ARCH. J. RILEY + URBANISTS.

## TALO SYSTEM MODULES

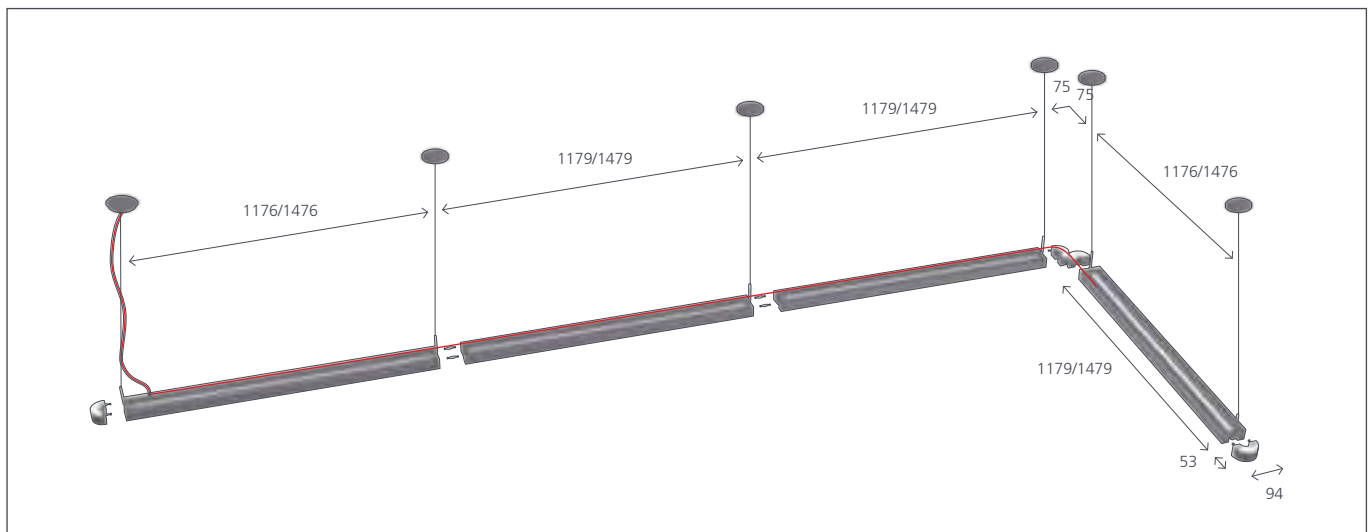
		Ⓢ Ⓡ IP20 850° ○ white 1 ● grey 2			
		T16 (G5)			
		<b>CODE</b>	<b>LIGHT SOURCE</b>	<b>LENGTH</b>	<b>WEIGHT</b>
		<b>FEEDER MODULE</b>			
		<b>M1354.0</b>	T16 (G5) 1x54W non dimmable	1179mm	4,00kg
		<b>M1356.0</b>	T16 (G5) 1x80W non dimmable	1479mm	4,60kg
		<b>M1354.1</b>	T16 (G5) 1x54W dimmable DALI	1179mm	4,00kg
		<b>M1356.1</b>	T16 (G5) 1x80W dimmable DALI	1479mm	4,60kg
		<b>CONTINUITY MODULE</b>			
		<b>M1355.0</b>	T16 (G5) 1x54W non dimmable	1179mm	4,00kg
		<b>M1357.0</b>	T16 (G5) 1x80W non dimmable	1479mm	4,60kg
		<b>M1355.1</b>	T16 (G5) 1x54W dimmable DALI	1179mm	4,00kg
		<b>M1357.1</b>	T16 (G5) 1x80W dimmable DALI	1479mm	4,60kg

photometric data: see page 435.

## TALO SYSTEM COMPONENTS

	<b>M1364.0</b> End caps (set of 2). 53x94x45mm.  ○ white 1 ● grey 2		<b>M1366.0</b> Steel suspension cable. Ceiling plate Ø100mm. 1400mm.  ○ white 1 ● grey 2
	<b>M1365.0</b> 90° connector. 120x120x45mm.  ○ white 1 ● grey 2	<b>INTERACTIVE-DALI TECHNOLOGY</b>	<b>INTERACTIVE-DALI components:</b> see page 409.

## TALO SYSTEM



# LOST - LOST DUO

design ERNESTO GISMONDI





- SINGLE PENDANT WITH DIRECT-INDIRECT LIGHTING USING 54W AND 80W T16 FLUORESCENT LIGHT SOURCE.
- 2 VERSIONS: **LOST** (1xT16) AND **LOST DUO** (2xT16).
- DARK LIGHT OPTICS WITH LATERAL ALUMINIUM REFLECTORS.
- ALUMINIUM CENTRAL PROFILE (**LOST DUO**).
- END CAPS IN TRANSLUCENT INJECTION MOULDED POLYCARBONATE.
- LIGHT OUTPUT RATIO: 66%. LIGHT DISTRIBUTION: 55% INDIRECT AND 45% DIRECT.
- ELECTRONIC CONTROL GEAR, WITH OR WITHOUT DIMMING (DALI-SWITCHDIM).
- LUMINAIRE COMES COMPLETE WITH QUICK-ADJUSTMENT STEEL CABLES, CEILING SURFACE PLATE AND POWER CABLE.
- COMPLIES WITH STANDARD EN60598-1 AND OTHER SPECIFIC STANDARDS.

#### **LOST**


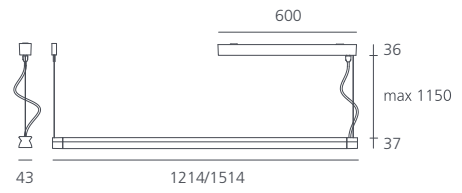

- FOR USE WITH 1x54W OR 1x80W T16.
- DARK LIGHT EMISSION IS IN COMPLIANCE WITH EN 12464-1 STANDARD, WITH AVERAGE LUMINANCE LEVELS LOWER THAN THE 1000 CD/M<sup>2</sup> LIMIT FOR AN OBSERVATION ANGLE OF 65° OR ABOVE WITH RESPECT TO THE VERTICAL AXIS.
- INTEGRAL BALLAST LOCATED IN THE CEILING PLATE.

#### **LOST DUO**


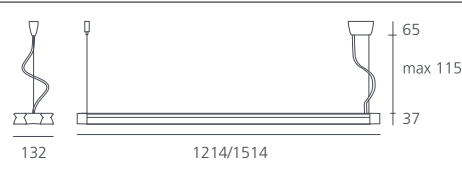

- FOR USE WITH 2x54W OR 2x80W T16.
- **INTERACTIVE-DALI SYSTEM**, COMBINING A MOVEMENT DETECTOR AND A DAYLIGHT SENSOR FOR AUTO-REGULATION IN RELATION TO PEOPLE PRESENCE AND VARIATIONS IN DAYLIGHT.
- EMERGENCY LIGHTING.








## LOST

																												
		<table border="1"> <thead> <tr> <th>T16 (G5)</th> <th>CODE</th> <th>LIGHT SOURCE</th> <th>LENGTH</th> <th>WEIGHT</th> </tr> </thead> <tbody> <tr> <td></td> <td><b>M148790</b></td> <td>T16 (G5) 1x54W non dimmable</td> <td>1214mm</td> <td>1,30kg</td> </tr> <tr> <td></td> <td><b>M148690</b></td> <td>T16 (G5) 1x80W non dimmable</td> <td>1514mm</td> <td>1,50kg</td> </tr> <tr> <td></td> <td><b>M148791</b></td> <td>T16 (G5) 1x54W dimmable DALI</td> <td>1214mm</td> <td>1,30kg</td> </tr> <tr> <td></td> <td><b>M148691</b></td> <td>T16 (G5) 1x80W dimmable DALI</td> <td>1514mm</td> <td>1,50kg</td> </tr> </tbody> </table>	T16 (G5)	CODE	LIGHT SOURCE	LENGTH	WEIGHT		<b>M148790</b>	T16 (G5) 1x54W non dimmable	1214mm	1,30kg		<b>M148690</b>	T16 (G5) 1x80W non dimmable	1514mm	1,50kg		<b>M148791</b>	T16 (G5) 1x54W dimmable DALI	1214mm	1,30kg		<b>M148691</b>	T16 (G5) 1x80W dimmable DALI	1514mm	1,50kg	<p style="text-align: right;">photometric data: see page 433.</p>
T16 (G5)	CODE	LIGHT SOURCE	LENGTH	WEIGHT																								
	<b>M148790</b>	T16 (G5) 1x54W non dimmable	1214mm	1,30kg																								
	<b>M148690</b>	T16 (G5) 1x80W non dimmable	1514mm	1,50kg																								
	<b>M148791</b>	T16 (G5) 1x54W dimmable DALI	1214mm	1,30kg																								
	<b>M148691</b>	T16 (G5) 1x80W dimmable DALI	1514mm	1,50kg																								

## LOST DUO

																																	
		<table border="1"> <thead> <tr> <th>T16 (G5)</th> <th>CODE</th> <th>LIGHT SOURCE</th> <th>LENGTH</th> <th>WEIGHT</th> </tr> </thead> <tbody> <tr> <td></td> <td><b>M148890</b></td> <td>T16 (G5) 2x54W non dimmable</td> <td>1214mm</td> <td>1,80kg</td> </tr> <tr> <td></td> <td><b>M148990</b></td> <td>T16 (G5) 2x80W non dimmable</td> <td>1514mm</td> <td>2,20kg</td> </tr> <tr> <td></td> <td><b>M148897</b></td> <td>T16 (G5) 2x54W non dimmable + emergency 1h</td> <td>1214mm</td> <td>2,50kg</td> </tr> <tr> <td></td> <td><b>M148891</b></td> <td>T16 (G5) 2x28-54W dimmable DALI</td> <td>1214mm</td> <td>1,80kg</td> </tr> <tr> <td></td> <td><b>M148892</b></td> <td>T16 (G5) 2x28-54W INTERACTIVE-DALI</td> <td>1214mm</td> <td>1,80kg</td> </tr> </tbody> </table>	T16 (G5)	CODE	LIGHT SOURCE	LENGTH	WEIGHT		<b>M148890</b>	T16 (G5) 2x54W non dimmable	1214mm	1,80kg		<b>M148990</b>	T16 (G5) 2x80W non dimmable	1514mm	2,20kg		<b>M148897</b>	T16 (G5) 2x54W non dimmable + emergency 1h	1214mm	2,50kg		<b>M148891</b>	T16 (G5) 2x28-54W dimmable DALI	1214mm	1,80kg		<b>M148892</b>	T16 (G5) 2x28-54W INTERACTIVE-DALI	1214mm	1,80kg	<p style="text-align: right;">photometric data: see page 433.</p>
T16 (G5)	CODE	LIGHT SOURCE	LENGTH	WEIGHT																													
	<b>M148890</b>	T16 (G5) 2x54W non dimmable	1214mm	1,80kg																													
	<b>M148990</b>	T16 (G5) 2x80W non dimmable	1514mm	2,20kg																													
	<b>M148897</b>	T16 (G5) 2x54W non dimmable + emergency 1h	1214mm	2,50kg																													
	<b>M148891</b>	T16 (G5) 2x28-54W dimmable DALI	1214mm	1,80kg																													
	<b>M148892</b>	T16 (G5) 2x28-54W INTERACTIVE-DALI	1214mm	1,80kg																													

## LOST / LOST DUO ACCESSORIES

	<p><b>M074030</b> INTERACTIVE-DALI kit Ø86mm, white, recessed.  Ø72</p> <p>Can be connected to a max. 11 DALI dimmable units. Is operated through INTERACTIVE-DALI remote control or external push button.</p>		<p><b>M074130</b> Extension movement detector, white, recessed.  Ø64</p> <p>To be used when the area to be covered is bigger than 6,00x5,00m by height 2,50m. To be connected to one of the outputs of the INTERACTIVE-DALI controller. No extra mains connection required.</p>
	<p><b>M104900</b> INTERACTIVE-DALI remote control.</p>		

# ESPRIT

design GIOVANNI GIACOBONE & MASSIMO ROJ



- PENDANT SYSTEM WITH INDIRECT AND DIRECT-INDIRECT LIGHTING USING 2x54W T16 FLUORESCENT LAMPS.
- AVAILABLE AS A SINGLE PENDANT LIGHT OR AS A MODULAR SYSTEM.
- THE STRUCTURE COMPRISES AN ALUMINIUM FRAME WITH A METALLIC GREY PAINT FINISH AND A CENTRAL OPTICAL ELEMENT.
- END CAPS IN DIE-CAST ALUMINIUM.
- INDIRECT LIGHTING VERSION EQUIPPED WITH AN OPAQUE SCREEN WITH AN EXCLUSIVE **BLACK CRYSTAL** LACQUERED FINISH.
- LIGHT OUTPUT RATIO: 59% (INDIRECT LIGHTING VERSION) AND 89% (DIRECT-INDIRECT LIGHTING VERSION).
- LIGHT DISTRIBUTION: 85% INDIRECT AND 15% DIRECT.
- ELECTRONIC BALLAST, OR DALI-SWITCHDIM DIMMABLE ELECTRONIC BALLAST, AND EMERGENCY LIGHTING.
- INTERMODULE MECHANICAL CONNECTION BY LINEAR OR 90° CONNECTORS.
- QUICK ADJUSTMENT STEEL SUSPENSION CABLES.
- MINI MODULES FOR THE INSTALLATION OF AUXILIARY SERVICES: ACCENT LIGHTING, VIDEO, SOUND, SMOKE DETECTORS, ETC.
- COMPLIES WITH STANDARD EN60598-1 AND OTHER SPECIFIC STANDARDS.



LEASEPLAN, ROME (I), PROGETTO CMR.


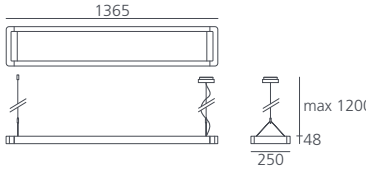







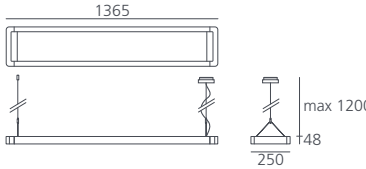


## ESPRIT SUSPENSION INDIRECT EMISSION

		Ⓢ ⚡ IP20 850° ● metal grey		
		T16 (G5)		
		<b>CODE</b>	<b>LIGHT SOURCE</b>	<b>WEIGHT</b>
		<b>M154500</b>	T16 (G5) 2x54W non dimmable	6,00kg
		<b>M154501</b>	T16 (G5) 2x28-54W dimmable DALI	6,00kg


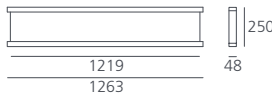
photometric data: see page 432.

## ESPRIT SUSPENSION DUAL EMISSION

		Ⓢ ⚡ IP20 850° ● metal grey		
		T16 (G5)		
		<b>CODE</b>	<b>LIGHT SOURCE</b>	<b>WEIGHT</b>
		<b>M154600</b>	T16 (G5) 2x54W non dimmable	6,00kg
		<b>M154601</b>	T16 (G5) 2x28-54W dimmable DALI	6,00kg


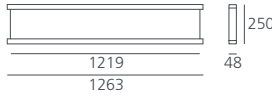
photometric data: see page 432.

## ESPRIT SYSTEM INDIRECT EMISSION

		Ⓢ ⚡ IP20 850° ● metal grey		
		T16 (G5)		
		<b>CODE</b>	<b>LIGHT SOURCE</b>	<b>WEIGHT</b>
		<b>M155000</b>	T16 (G5) 2x54W non dimmable	5,10kg
		<b>M155007</b>	T16 (G5) 2x54W non dimmable + emergency 1h	5,70kg
		<b>M155001</b>	T16 (G5) 2x28-54W dimmable DALI	5,10kg



photometric data: see page 432.

## ESPRIT SYSTEM DUAL EMISSION

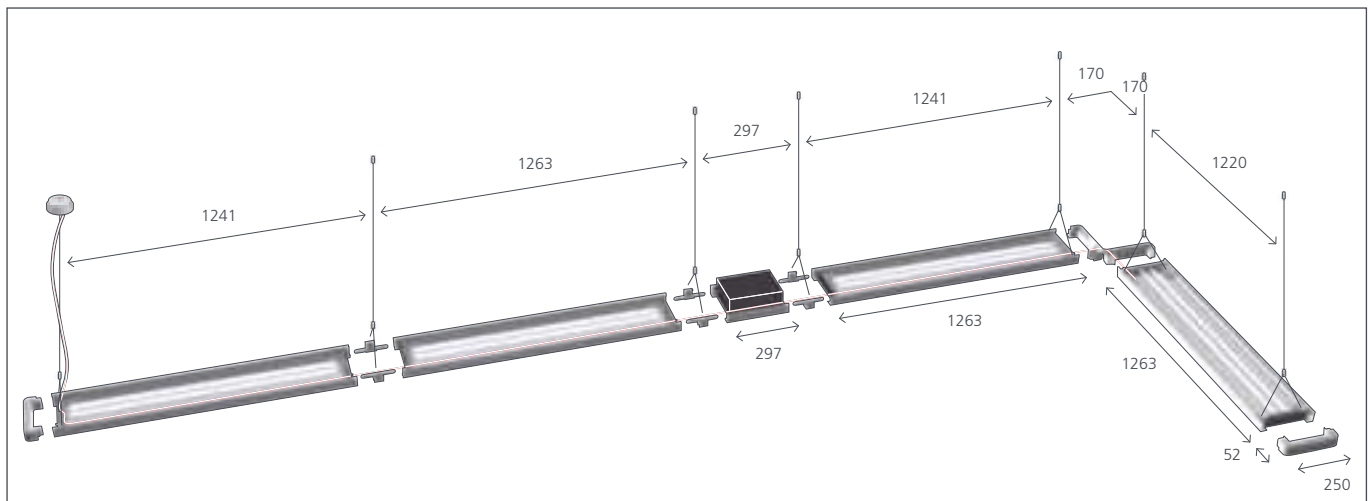
		Ⓢ ⚡ IP20 850° ● metal grey		
		T16 (G5)		
		<b>CODE</b>	<b>LIGHT SOURCE</b>	<b>WEIGHT</b>
		<b>M155100</b>	T16 (G5) 2x54W non dimmable	5,10kg
		<b>M155107</b>	T16 (G5) 2x54W non dimmable + emergency 1h	5,70kg
		<b>M155101</b>	T16 (G5) 2x28-54W dimmable DALI	5,10kg

photometric data: see page 432.

# ESPRIT SYSTEM COMPONENTS

	<p><b>M155600</b> Downlighter module QR-CBC51 (GU5,3) 1xmax50W/12V. Integral electronic transformer. Dimmable by trailing edge external dimmers. 297x250x100mm.</p> <p>● metal grey</p> <p>355° 45°</p>		<p><b>M156300</b> Linear connector.</p> <p>● metal grey</p>
	<p><b>M156000</b> Unwired module for auxiliary services. 297x250x48mm.</p> <p>● metal grey</p>		<p><b>M156400</b> L-shaped connector. 296x296x48mm.</p> <p>● metal grey</p>
	<p><b>M156100</b> Unwired module for auxiliary services. 297x250x100mm.</p> <p>● metal grey</p>		<p><b>M108320</b> Steel suspension cable. 1200mm.</p>
	<p><b>M156200</b> End cap (set of 2). 250x52x48mm.</p> <p>● metal grey</p>		<p>Suspension cable with feed. Ceiling plate Ø100mm. 1200mm.</p> <p><b>M156600</b> 3 wires (3x1,5mm<sup>2</sup>)</p> <p><b>M156700</b> 5 wires (5x1,5mm<sup>2</sup>)</p>
		<p><b>INTERACTIVE-DALI TECHNOLOGY</b></p>	<p><b>INTERACTIVE-DALI components:</b> see page 409.</p>

# ESPRIT SYSTEM



ABOVE: ASSOCIAZIONE BANCARIA ITALIANA, ROME (I), PROGETTO CMR.  
PAGE 308-309: LEGANCE, MILAN (I), PROGETTO CMR.  
PAGE 310-311: CISCO SYSTEM, VIMERCATE (I), PROGETTO CMR.

# MEGAN SYSTEM

design ERNESTO GISMONDI





- DIRECT-INDIRECT MODULAR SYSTEM USING 2x28 TO 2x54W T16 FLUORESCENT LAMPS.
- MICRO-PERFORATED STEEL BODY WITH A WHITE OR GREY PAINT FINISH, AND OPALINE POLYCARBONATE DIFFUSER FOIL.
- CAN BE INSTALLED AS A PENDANT OR WALL LIGHT.
- LIGHT EMISSION IS IN COMPLIANCE WITH EN12464-1 STANDARD, WITH AVERAGE LUMINANCE LEVELS LOWER THAN THE 1000 CD/M<sup>2</sup> LIMIT FOR AN OBSERVATION ANGLE OF 65° OR ABOVE WITH RESPECT TO THE VERTICAL AXIS.
- LIGHT OUTPUT RATIO: 64%.
- LIGHT DISTRIBUTION: 84% INDIRECT AND 16% DIRECT.
- ELECTRONIC BALLAST, OR DALI-SWITCHDIM DIMMABLE ELECTRONIC BALLAST, OR **INTERACTIVE-DALI** SYSTEM COMBINING A MOVEMENT DETECTOR AND A DAYLIGHT SENSOR FOR AUTO-REGULATION IN RELATION TO PEOPLE PRESENCE AND VARIATIONS IN DAYLIGHT.
- INTERMODULE ELECTROMECHANICAL CONNECTION VIA CABLE-FREE QUICK CONNECTORS.
- 5-CABLE THROUGH-WIRING SUITABLE FOR 2 OR 3 SWITCHES CIRCUITS (THE DIMMABLE VERSION HAS ONE SWITCH ONLY).
- CONTINUOUS LINEAR MOUNTING OR WITH 90° CONNECTORS, 3 AND 4 WAYS CONNECTORS.
- DUST PROTECTION COVER MADE OF EXTRUDED POLYCARBONATE.
- QUICK ADJUSTMENT STEEL SUSPENSION CABLES.
- COMPLIES WITH STANDARD EN60598-1 AND OTHER SPECIFIC STANDARDS.



## MEGAN SYSTEM CONFIGURATIONS



EXAMPLE WITH 90° CONNECTOR L6892.0

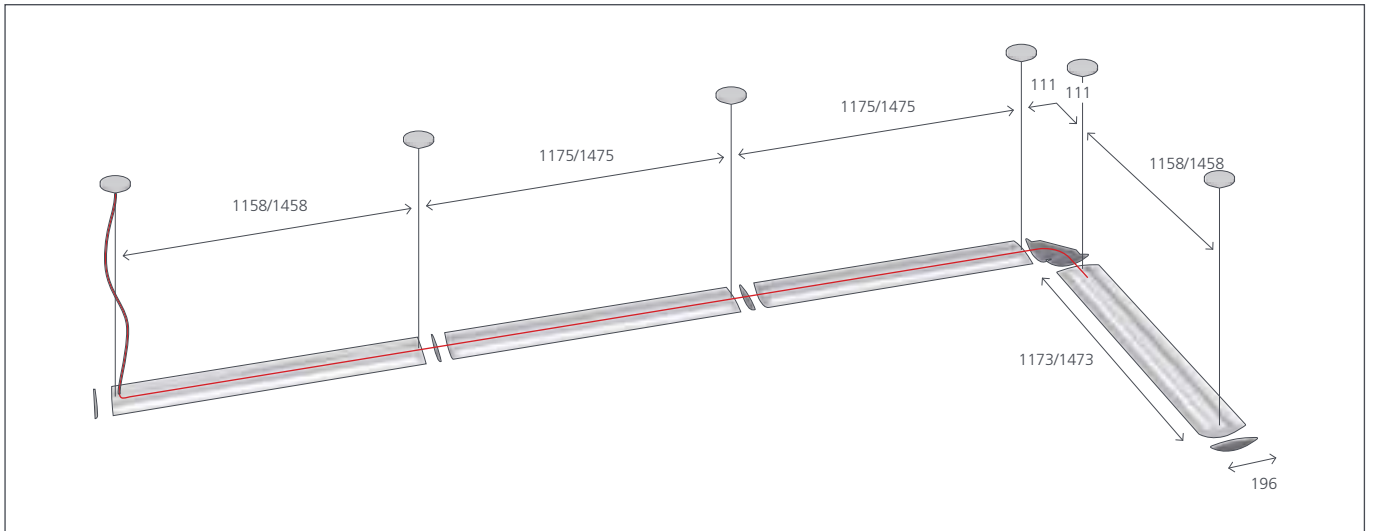
- 1 Neutral
- 2 Square pin
- 3 Square slot



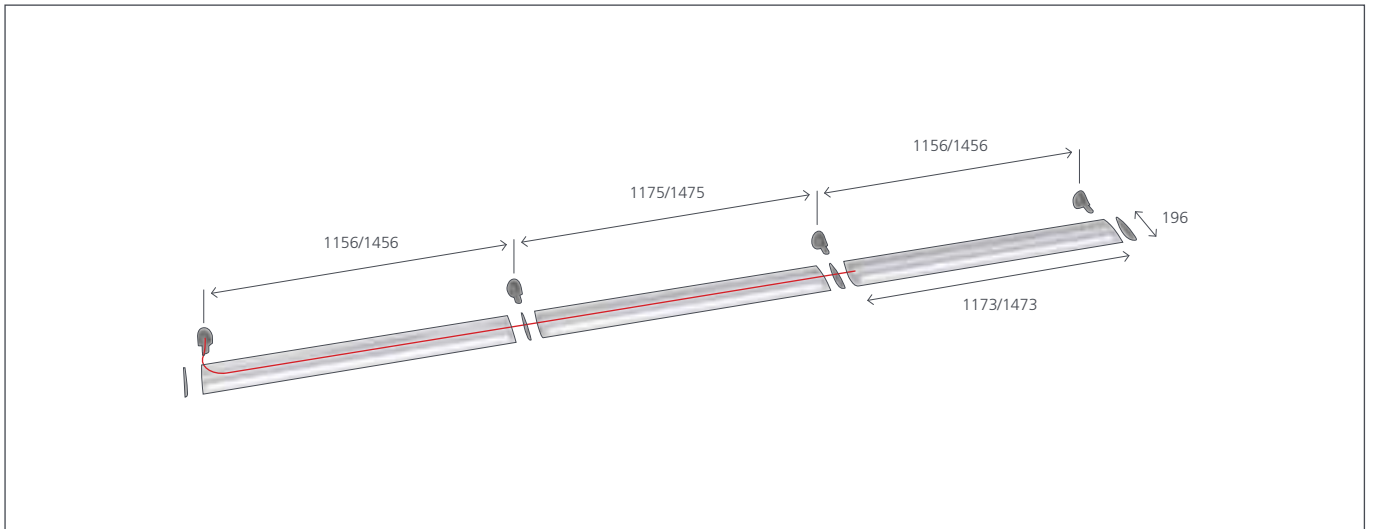
EXAMPLE WITH 90° CONNECTOR L6893.0

Multiple configurations, simple or complex, can be made thanks to **MEGAN SYSTEM**. The position of the fixtures is determined by the location of the neutral terminal inside the connector. Luminaires installed in a linear continuous row must have the same orientation (neutral terminal on the same side). The type of 90° or T connectors to be used also depends on the neutral terminal position. There is only one type of linear connector, which can be used with neutral terminals located on the left or right hand side, by a simple 180° rotation of the connector. The X-connector gives the starting position of the neutral terminals for all the luminaires' rows connected to it.

## MEGAN SYSTEM SUSPENSION


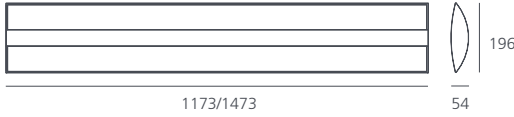






## MEGAN SYSTEM WALL





# MEGAN SYSTEM

																														
			<p>⊕ IP20   ● grey 0 ○ white 2</p>																											
<p>T16 (G5)</p> 	<table border="1"> <thead> <tr> <th>CODE</th> <th>LIGHT SOURCE</th> <th>LENGTH</th> <th>WEIGHT</th> </tr> </thead> <tbody> <tr> <td><b>L6857.0</b></td> <td>T16 (G5) 2x28W non dimmable</td> <td>1173mm</td> <td>2,95kg</td> </tr> <tr> <td><b>L6858.0</b></td> <td>T16 (G5) 2x35W non dimmable</td> <td>1473mm</td> <td>3,60kg</td> </tr> <tr> <td><b>L6859.0</b></td> <td>T16 (G5) 2x54W non dimmable</td> <td>1173mm</td> <td>2,95kg</td> </tr> <tr> <td><b>L6861.0</b></td> <td>T16 (G5) 2x35W dimmable DALI</td> <td>1473mm</td> <td>3,60kg</td> </tr> <tr> <td><b>L6862.0</b></td> <td>T16 (G5) 2x28-54W dimmable DALI</td> <td>1173mm</td> <td>2,95kg</td> </tr> <tr> <td><b>L6862.6</b></td> <td>T16 (G5) 2x28-54W INTERACTIVE-DALI</td> <td>1173mm</td> <td>3,00kg</td> </tr> </tbody> </table>	CODE	LIGHT SOURCE	LENGTH	WEIGHT	<b>L6857.0</b>	T16 (G5) 2x28W non dimmable	1173mm	2,95kg	<b>L6858.0</b>	T16 (G5) 2x35W non dimmable	1473mm	3,60kg	<b>L6859.0</b>	T16 (G5) 2x54W non dimmable	1173mm	2,95kg	<b>L6861.0</b>	T16 (G5) 2x35W dimmable DALI	1473mm	3,60kg	<b>L6862.0</b>	T16 (G5) 2x28-54W dimmable DALI	1173mm	2,95kg	<b>L6862.6</b>	T16 (G5) 2x28-54W INTERACTIVE-DALI	1173mm	3,00kg	
	CODE	LIGHT SOURCE	LENGTH	WEIGHT																										
	<b>L6857.0</b>	T16 (G5) 2x28W non dimmable	1173mm	2,95kg																										
	<b>L6858.0</b>	T16 (G5) 2x35W non dimmable	1473mm	3,60kg																										
	<b>L6859.0</b>	T16 (G5) 2x54W non dimmable	1173mm	2,95kg																										
	<b>L6861.0</b>	T16 (G5) 2x35W dimmable DALI	1473mm	3,60kg																										
	<b>L6862.0</b>	T16 (G5) 2x28-54W dimmable DALI	1173mm	2,95kg																										
<b>L6862.6</b>	T16 (G5) 2x28-54W INTERACTIVE-DALI	1173mm	3,00kg																											

photometric data: see page 433 and 438.

## MEGAN SYSTEM COMPONENTS

	<p><b>L6897.0</b> Steel suspension cable. Height adjustment via integral griplock system in the base plate, max.1900mm.</p> <p>● grey 0 ○ white 2</p>		<p><b>L6891.0</b> Linear connector. Overall thickness 8mm. Useful thickness 3mm.</p> <p>● grey 0 ○ white 2</p>
	<p><b>L6899.0</b> Steel suspension cable + power feed cable. Height adjustment capacity, max.1900mm. 3 wires (3x0,75mm²). <b>L6898.0</b> 5 wires (5x1,5mm²).</p> <p>● grey 0 ○ white 2</p>		<p>L-connector. 205x205mm.</p> <p><b>L6892.0</b> Internal peg (for external neutral) <b>L6893.0</b> External peg (for internal neutral)</p> <p>● grey 0 ○ white 2</p>
	<p><b>L6873.0</b> Left wall fixing. Ø106mm. Protrusion 50mm.</p> <p>● grey 0 ○ white 2</p>		<p>T-connector. 205x205mm.</p> <p><b>L6894.0</b> Peg on the left (for neutral on the right). <b>L6895.0</b> Peg on the right (for neutral on the left).</p> <p>● grey 0 ○ white 2</p>
	<p><b>L6871.0</b> Mid wall fixing. Ø106mm. Protrusion 50mm.</p> <p>● grey 0 ○ white 2</p>		<p><b>L6896.0</b> X-connector. 205x205mm.</p> <p>● grey 0 ○ white 2</p>
	<p><b>L6872.0</b> Right wall fixing. Ø106mm. Protrusion 50mm.</p> <p>● grey 0 ○ white 2</p>		<p><b>M104900</b> INTERACTIVE-DALI remote control.</p>
	<p><b>L687000</b> Wall feed 3 wires (3x0,75mm²). For dimmable version: 2 pieces required.</p>		<p><b>M074030</b> INTERACTIVE-DALI kit Ø86mm white, recessed. Can be connected to a max. 11 DALI dimmable units. Is operated through INTERACTIVE-DALI remote control or external push button.</p> <p>Ⓢ Ø72</p>
	<p><b>L6890.0</b> End cap. Overall thickness 8mm. Useful thickness 3mm.</p> <p>● grey 0 ○ white 2</p>		<p><b>M074130</b> Extension recessed movement detector for INTERACTIVE-DALI system.</p> <p>Ⓢ Ø64</p>

# EOS SYSTEM

design BRUNO HOUSSIN & ALAIN GIROT



FUJITSU HQ'S, TOKYO (J), GENSLER.




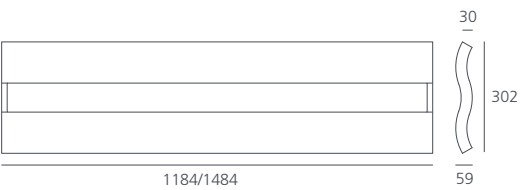



BANCA POPOLARE DI MILANO, MILAN (I), CARLOTTA DE BEVILACQUA.



- DIRECT-INDIRECT MODULAR PENDANT SYSTEM USING 2x28W TO 2x54W T16 FLUORESCENT LAMPS.
- EXTRUDED ALUMINIUM BODY WITH A WHITE PAINT FINISH.
- SOFT LIGHT DIRECT LIGHTING WITH INTERNAL OPTIC AND POLYCARBONATE DIFFUSER.
- LIGHT OUTPUT RATIO: 74%.
- LIGHT DISTRIBUTION: 93% INDIRECT AND 7% DIRECT.
- ELECTRONIC BALLAST.
- OPTIONAL EMERGENCY LIGHTING.
- MOUNTING WITH LINEAR OR VARIABLE ANGLE CONNECTORS, 3- AND 4-WAYS CONNECTORS.
- QUICK ADJUSTMENT STEEL SUSPENSION CABLES.
- POLYCARBONATE DUST PROTECTION COVER.
- OPTIONAL COLOURED FILTERS (BLUE, PURPLE AND GREEN) FOR VARIED DIRECT LIGHTING TONES.
- COMPLIES WITH STANDARD EN60598-1 AND OTHER SPECIFIC STANDARDS.



# EOS SYSTEM



		  																				
			<p>T16 (G5)</p>																			
	<table border="1"> <thead> <tr> <th>CODE</th> <th>LIGHT SOURCE</th> <th>LENGTH</th> <th>WEIGHT</th> </tr> </thead> <tbody> <tr> <td><b>M093620</b></td> <td>T16 (G5) 2x28W</td> <td>1184mm</td> <td>6,00kg</td> </tr> <tr> <td><b>M093720</b></td> <td>T16 (G5) 2x54W</td> <td>1184mm</td> <td>6,00kg</td> </tr> <tr> <td><b>M093520</b></td> <td>T16 (G5) 2x35W</td> <td>1484mm</td> <td>7,30kg</td> </tr> <tr> <td><b>M093820</b></td> <td>T16 (G5) 2x35W + emergency 1h</td> <td>1484mm</td> <td>7,80kg</td> </tr> </tbody> </table>	CODE	LIGHT SOURCE	LENGTH	WEIGHT	<b>M093620</b>	T16 (G5) 2x28W	1184mm	6,00kg	<b>M093720</b>	T16 (G5) 2x54W	1184mm	6,00kg	<b>M093520</b>	T16 (G5) 2x35W	1484mm	7,30kg	<b>M093820</b>	T16 (G5) 2x35W + emergency 1h	1484mm	7,80kg	
CODE	LIGHT SOURCE	LENGTH	WEIGHT																			
<b>M093620</b>	T16 (G5) 2x28W	1184mm	6,00kg																			
<b>M093720</b>	T16 (G5) 2x54W	1184mm	6,00kg																			
<b>M093520</b>	T16 (G5) 2x35W	1484mm	7,30kg																			
<b>M093820</b>	T16 (G5) 2x35W + emergency 1h	1484mm	7,80kg																			

photometric data: see page 432.

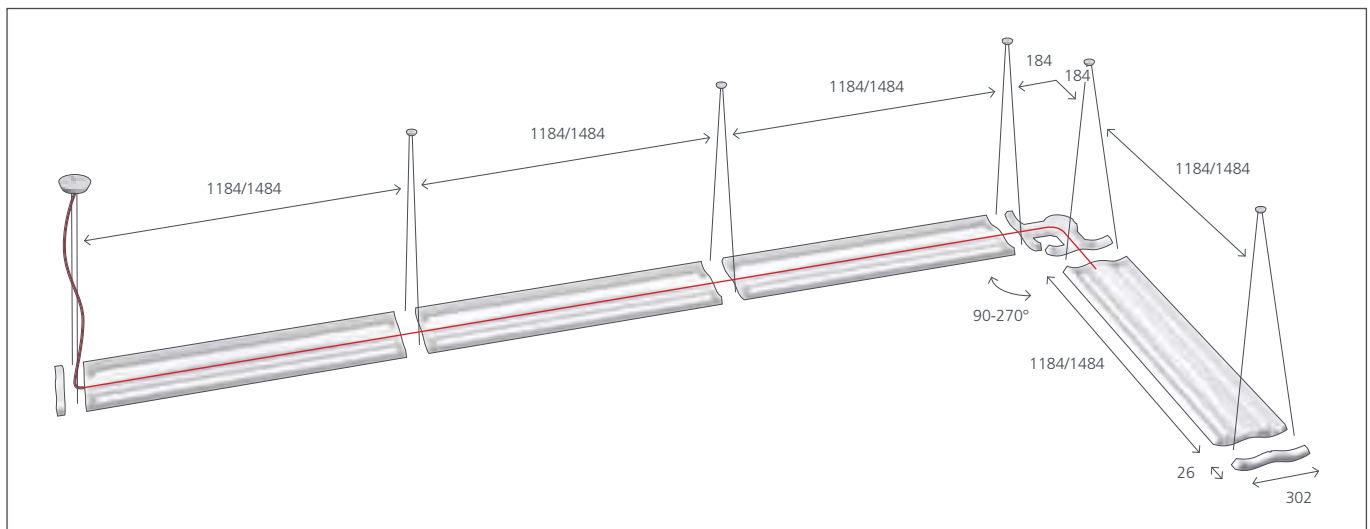
## EOS SYSTEM COMPONENTS

	<p><b>M094220</b> Variable angle connector. 368x368mm. Adjustable from 90° to 270°.</p> <p></p>		<p><b>M093920</b> Decorative end plate. 302x30mm.</p> <p></p>
	<p><b>M094320</b> T-shaped connector. 368x368mm.</p> <p></p>		<p><b>M094120</b> Steel suspension cable. Adjustable length min.300mm/max.900mm. Ceiling plate Ø40mm.</p>
	<p><b>M094420</b> X-shaped connector. 368x368mm.</p> <p></p>		<p><b>M094020</b> Steel suspension cable + power feed cable 3 wires (3x1,5mm²). Adjustable length min.300mm/max.900mm. Ceiling plate Ø120mm.</p>

## EOS SYSTEM ACCESSORIES

	<p>Coloured filters for modules of 1184mm long.</p> <p><b>M080405</b> Blue.  <b>M080415</b> Violet.  <b>M080425</b> Green.</p>		<p>Coloured filters for modules of 1484mm long.</p> <p><b>M080435</b> Blue.  <b>M080445</b> Violet.  <b>M080455</b> Green.</p>
---	--	---	--

## EOS SYSTEM



# FLAP - MINI FLAP

design BRUNO HOUSSIN & ALAIN GIROT






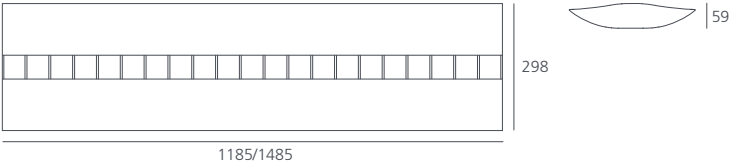



# MINI FLAP SYSTEM SUSPENSION






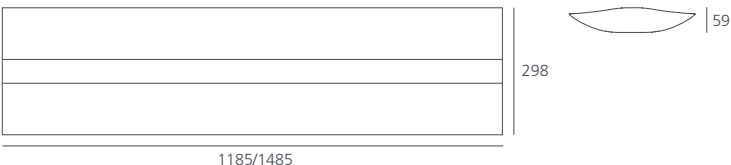



- PENDANT SYSTEM WITH DIRECT-INDIRECT LIGHTING, FOR CONTINUOUS LINEAR MOUNTING AND WITH 90° CONNECTORS.
- EXTRUDED ALUMINIUM BODY WITH METALLIC GREY PAINT FINISH.
- INDIRECT LIGHTING USING 2x28 TO 2x54W T16 FLUORESCENT LAMPS.
- 3 TYPES OF DIRECT LIGHTING: DIFFUSED EMISSION WITH AN OPALINE POLYCARBONATE DIFFUSER, DARK LIGHT EMISSION WITH OPTICS MADE FROM SUPER PURE ALUMINIUM, AND INTENSIVE LIGHT EMISSION VIA RECESSED DOWNLIGHTS USING 12V DICHROIC HALOGEN LAMPS.
- DARK LIGHT EMISSION IS IN COMPLIANCE WITH EN 12464-1 STANDARD, WITH AVERAGE LUMINANCE LEVELS LOWER THAN THE 1000 CD/M<sup>2</sup> LIMIT FOR AN OBSERVATION ANGLE OF 65° OR ABOVE WITH RESPECT TO THE VERTICAL AXIS. LIGHT OUTPUT RATIO: 64%. LIGHT DISTRIBUTION: 76% INDIRECT AND 24% DIRECT.
- DIFFUSED EMISSION: LIGHT OUTPUT RATIO: 61%. LIGHT DISTRIBUTION: 80% INDIRECT AND 20% DIRECT.
- ELECTRONIC BALLAST, OR DALI-SWITCHDIM DIMMABLE ELECTRONIC BALLAST (FOR INDIRECT LIGHTING ONLY).
- 2 SEPARATE SWITCH CIRCUITS FOR THE INDEPENDENT CONTROL OF THE DIRECT AND INDIRECT LIGHTING FUNCTIONS.
- POLYCARBONATE DUST-PROTECTION SCREEN AS AN OPTIONAL EXTRA.
- ADJUSTABLE STEEL SUSPENSION CABLES.
- SLIMLINE OR DECORATIVE END CAPS.
- COMPLIES WITH STANDARD EN60598-1 AND OTHER SPECIFIC STANDARDS.

## MINI FLAP SYSTEM SUSPENSION DUAL EMISSION (DIRECT DARK LIGHT)

																														
			  IP20 ● metal grey																											
T16 (G5)	<table border="1"> <thead> <tr> <th>CODE</th> <th>LIGHT SOURCE</th> <th>LENGTH</th> <th>WEIGHT</th> </tr> </thead> <tbody> <tr> <td><b>M152669</b></td> <td>T16 (G5) 2x28W + T16 (G5) 1x28W non dimmable</td> <td>1185mm</td> <td>7,00kg</td> </tr> <tr> <td><b>M152769</b></td> <td>T16 (G5) 2x54W + T16 (G5) 1x54W non dimmable</td> <td>1185mm</td> <td>7,00kg</td> </tr> <tr> <td><b>M152869</b></td> <td>T16 (G5) 2x35W + T16 (G5) 1x35W non dimmable</td> <td>1485mm</td> <td>8,10kg</td> </tr> <tr> <td><b>M152668</b></td> <td>T16 (G5) 2x28W + T16 (G5) 1x28W dimmable DALI*</td> <td>1185mm</td> <td>7,00kg</td> </tr> <tr> <td><b>M152768</b></td> <td>T16 (G5) 2x54W + T16 (G5) 1x54W dimmable DALI*</td> <td>1185mm</td> <td>7,00kg</td> </tr> <tr> <td><b>M152868</b></td> <td>T16 (G5) 2x35W + T16 (G5) 1x35W dimmable DALI*</td> <td>1485mm</td> <td>8,10kg</td> </tr> </tbody> </table>	CODE	LIGHT SOURCE	LENGTH	WEIGHT	<b>M152669</b>	T16 (G5) 2x28W + T16 (G5) 1x28W non dimmable	1185mm	7,00kg	<b>M152769</b>	T16 (G5) 2x54W + T16 (G5) 1x54W non dimmable	1185mm	7,00kg	<b>M152869</b>	T16 (G5) 2x35W + T16 (G5) 1x35W non dimmable	1485mm	8,10kg	<b>M152668</b>	T16 (G5) 2x28W + T16 (G5) 1x28W dimmable DALI*	1185mm	7,00kg	<b>M152768</b>	T16 (G5) 2x54W + T16 (G5) 1x54W dimmable DALI*	1185mm	7,00kg	<b>M152868</b>	T16 (G5) 2x35W + T16 (G5) 1x35W dimmable DALI*	1485mm	8,10kg	
CODE	LIGHT SOURCE	LENGTH	WEIGHT																											
<b>M152669</b>	T16 (G5) 2x28W + T16 (G5) 1x28W non dimmable	1185mm	7,00kg																											
<b>M152769</b>	T16 (G5) 2x54W + T16 (G5) 1x54W non dimmable	1185mm	7,00kg																											
<b>M152869</b>	T16 (G5) 2x35W + T16 (G5) 1x35W non dimmable	1485mm	8,10kg																											
<b>M152668</b>	T16 (G5) 2x28W + T16 (G5) 1x28W dimmable DALI*	1185mm	7,00kg																											
<b>M152768</b>	T16 (G5) 2x54W + T16 (G5) 1x54W dimmable DALI*	1185mm	7,00kg																											
<b>M152868</b>	T16 (G5) 2x35W + T16 (G5) 1x35W dimmable DALI*	1485mm	8,10kg																											
*Indirect emission dimmable, direct emission non dimmable.																														


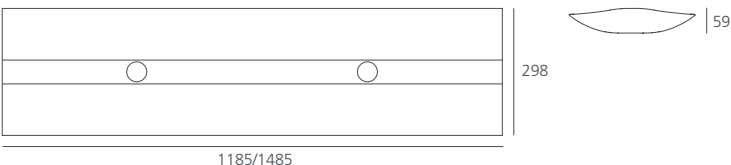



photometric data: see page 433.

## MINI FLAP SYSTEM SUSPENSION DUAL EMISSION (DIRECT DIFFUSED)

																														
			  IP20 ● metal grey																											
T16 (G5)	<table border="1"> <thead> <tr> <th>CODE</th> <th>LIGHT SOURCE</th> <th>LENGTH</th> <th>WEIGHT</th> </tr> </thead> <tbody> <tr> <td><b>M153269</b></td> <td>T16 (G5) 2x28W + T16 (G5) 1x28W non dimmable</td> <td>1185mm</td> <td>7,00kg</td> </tr> <tr> <td><b>M153369</b></td> <td>T16 (G5) 2x54W + T16 (G5) 1x54W non dimmable</td> <td>1185mm</td> <td>7,00kg</td> </tr> <tr> <td><b>M153469</b></td> <td>T16 (G5) 2x35W + T16 (G5) 1x35W non dimmable</td> <td>1485mm</td> <td>8,10kg</td> </tr> <tr> <td><b>M153268</b></td> <td>T16 (G5) 2x28W + T16 (G5) 1x28W dimmable DALI*</td> <td>1185mm</td> <td>7,00kg</td> </tr> <tr> <td><b>M153368</b></td> <td>T16 (G5) 2x54W + T16 (G5) 1x54W dimmable DALI*</td> <td>1185mm</td> <td>7,00kg</td> </tr> <tr> <td><b>M153468</b></td> <td>T16 (G5) 2x35W + T16 (G5) 1x35W dimmable DALI*</td> <td>1485mm</td> <td>8,10kg</td> </tr> </tbody> </table>	CODE	LIGHT SOURCE	LENGTH	WEIGHT	<b>M153269</b>	T16 (G5) 2x28W + T16 (G5) 1x28W non dimmable	1185mm	7,00kg	<b>M153369</b>	T16 (G5) 2x54W + T16 (G5) 1x54W non dimmable	1185mm	7,00kg	<b>M153469</b>	T16 (G5) 2x35W + T16 (G5) 1x35W non dimmable	1485mm	8,10kg	<b>M153268</b>	T16 (G5) 2x28W + T16 (G5) 1x28W dimmable DALI*	1185mm	7,00kg	<b>M153368</b>	T16 (G5) 2x54W + T16 (G5) 1x54W dimmable DALI*	1185mm	7,00kg	<b>M153468</b>	T16 (G5) 2x35W + T16 (G5) 1x35W dimmable DALI*	1485mm	8,10kg	
CODE	LIGHT SOURCE	LENGTH	WEIGHT																											
<b>M153269</b>	T16 (G5) 2x28W + T16 (G5) 1x28W non dimmable	1185mm	7,00kg																											
<b>M153369</b>	T16 (G5) 2x54W + T16 (G5) 1x54W non dimmable	1185mm	7,00kg																											
<b>M153469</b>	T16 (G5) 2x35W + T16 (G5) 1x35W non dimmable	1485mm	8,10kg																											
<b>M153268</b>	T16 (G5) 2x28W + T16 (G5) 1x28W dimmable DALI*	1185mm	7,00kg																											
<b>M153368</b>	T16 (G5) 2x54W + T16 (G5) 1x54W dimmable DALI*	1185mm	7,00kg																											
<b>M153468</b>	T16 (G5) 2x35W + T16 (G5) 1x35W dimmable DALI*	1485mm	8,10kg																											
*Indirect emission dimmable, direct emission non dimmable.																														







photometric data: see page 433.

## MINI FLAP SYSTEM SUSPENSION DUAL EMISSION (DIRECT SPOT)

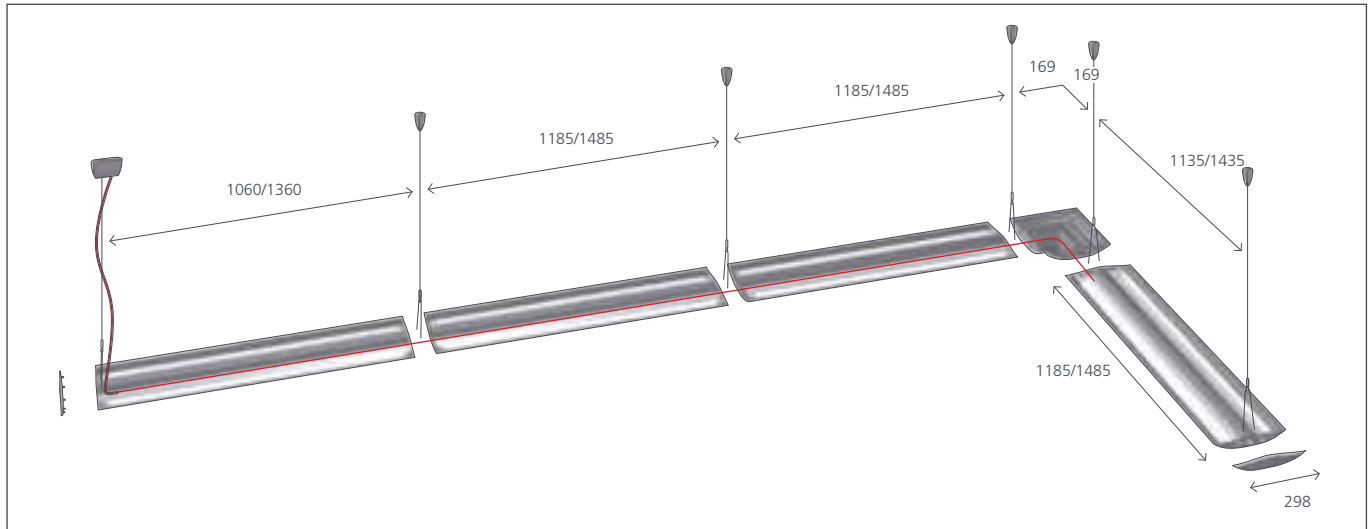
																														
			  IP20 ● metal grey																											
T16 (G5) QR-CBC35 (GU4)	<table border="1"> <thead> <tr> <th>CODE</th> <th>LIGHT SOURCE</th> <th>LENGTH</th> <th>WEIGHT</th> </tr> </thead> <tbody> <tr> <td><b>M153869</b></td> <td>T16 (G5) 2x28W + QR-CBC35 (GU4) 12V 2x35W non dimmable</td> <td>1185mm</td> <td>8,40kg</td> </tr> <tr> <td><b>M153969</b></td> <td>T16 (G5) 2x54W + QR-CBC35 (GU4) 12V 2x35W non dimmable</td> <td>1185mm</td> <td>8,40kg</td> </tr> <tr> <td><b>M154069</b></td> <td>T16 (G5) 2x35W + QR-CBC35 (GU4) 12V 3x35W non dimmable</td> <td>1485mm</td> <td>9,60kg</td> </tr> <tr> <td><b>M153868</b></td> <td>T16 (G5) 2x28W + QR-CBC35 (GU4) 12V 2x35W dimmable DALI*</td> <td>1185mm</td> <td>8,40kg</td> </tr> <tr> <td><b>M153968</b></td> <td>T16 (G5) 2x54W + QR-CBC35 (GU4) 12V 2x35W dimmable DALI*</td> <td>1185mm</td> <td>8,40kg</td> </tr> <tr> <td><b>M154068</b></td> <td>T16 (G5) 2x35W + QR-CBC35 (GU4) 12V 3x35W dimmable DALI*</td> <td>1485mm</td> <td>9,60kg</td> </tr> </tbody> </table>	CODE	LIGHT SOURCE	LENGTH	WEIGHT	<b>M153869</b>	T16 (G5) 2x28W + QR-CBC35 (GU4) 12V 2x35W non dimmable	1185mm	8,40kg	<b>M153969</b>	T16 (G5) 2x54W + QR-CBC35 (GU4) 12V 2x35W non dimmable	1185mm	8,40kg	<b>M154069</b>	T16 (G5) 2x35W + QR-CBC35 (GU4) 12V 3x35W non dimmable	1485mm	9,60kg	<b>M153868</b>	T16 (G5) 2x28W + QR-CBC35 (GU4) 12V 2x35W dimmable DALI*	1185mm	8,40kg	<b>M153968</b>	T16 (G5) 2x54W + QR-CBC35 (GU4) 12V 2x35W dimmable DALI*	1185mm	8,40kg	<b>M154068</b>	T16 (G5) 2x35W + QR-CBC35 (GU4) 12V 3x35W dimmable DALI*	1485mm	9,60kg	
CODE	LIGHT SOURCE	LENGTH	WEIGHT																											
<b>M153869</b>	T16 (G5) 2x28W + QR-CBC35 (GU4) 12V 2x35W non dimmable	1185mm	8,40kg																											
<b>M153969</b>	T16 (G5) 2x54W + QR-CBC35 (GU4) 12V 2x35W non dimmable	1185mm	8,40kg																											
<b>M154069</b>	T16 (G5) 2x35W + QR-CBC35 (GU4) 12V 3x35W non dimmable	1485mm	9,60kg																											
<b>M153868</b>	T16 (G5) 2x28W + QR-CBC35 (GU4) 12V 2x35W dimmable DALI*	1185mm	8,40kg																											
<b>M153968</b>	T16 (G5) 2x54W + QR-CBC35 (GU4) 12V 2x35W dimmable DALI*	1185mm	8,40kg																											
<b>M154068</b>	T16 (G5) 2x35W + QR-CBC35 (GU4) 12V 3x35W dimmable DALI*	1485mm	9,60kg																											
Integral electronic transformer, 35-105W, 230-240V/12V. Class II. Dimmable by trailing or leading edge external dimmers.																														

photometric data: see page 433.

## MINI FLAP SYSTEM SUSPENSION COMPONENTS

	<p><b>M159961</b> Flat end cap. Thickness 2mm.</p> <p>● metal grey</p>		<p>Dust-protection polycarbonate screen. 2 pieces required.</p> <p><b>M080515</b> For modules 1185mm long. <b>M080525</b> For modules 1485mm long.</p>
	<p><b>M159261</b> Decorative end cap. 298x181mm.</p> <p>● metal grey</p>		<p><b>M159361</b> Steel suspension cable. 1400mm.</p>
	<p><b>M158761</b> 90° connector. 318x318mm.</p> <p>● metal grey</p>		<p>Steel suspension cable. 1400mm. With power feed cable.</p> <p><b>M159461</b> 5 wires (5x1,5mm<sup>2</sup>). <b>M158661</b> 7 wires (5x1,5mm<sup>2</sup> + 2x0,75mm<sup>2</sup>).</p>
<p>INTERACTIVE-DALI TECHNOLOGY</p>	<p>INTERACTIVE-DALI components: see page 409.</p>		

## MINI FLAP SYSTEM SUSPENSION



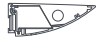



# MINI FLAP SYSTEM WALL




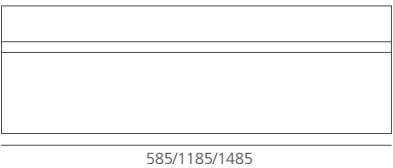


- LINEAR SYSTEM FOR WALL MOUNTING WITH DIRECT AND DIRECT-INDIRECT LIGHTING, USING 1x24W TO 1x80W T16 FLUORESCENT LAMPS.
- EXTRUDED ALUMINIUM BODY WITH METALLIC GREY PAINT FINISH.
- DIRECT DIFFUSED WALL WASHER LIGHTING.
- ELECTRONIC BALLAST OR DALI-SWITCHDIM DIMMABLE ELECTRONIC BALLAST.
- 90° CONNECTORS AVAILABLE ON REQUEST.
- POLYCARBONATE DUST-PROTECTION SCREEN AS AN OPTIONAL EXTRA.
- SLIMLINE FINISHING END CAPS.
- COMPLIES WITH STANDARD EN60598-1 AND OTHER SPECIFIC STANDARDS.

## MINI FLAP SYSTEM WALL INDIRECT EMISSION

		 48																																								
			Ⓧ IP20 ● metal grey																																							
T16 (G5)		<table border="1"> <thead> <tr> <th>CODE</th> <th>LIGHT SOURCE</th> <th>LENGTH</th> <th>WEIGHT</th> </tr> </thead> <tbody> <tr> <td><b>M150069</b></td> <td>T16 (G5) 1x24W non dimmable</td> <td>585mm</td> <td>1,50kg</td> </tr> <tr> <td><b>M150169</b></td> <td>T16 (G5) 1x28W non dimmable</td> <td>1185mm</td> <td>3,40kg</td> </tr> <tr> <td><b>M150269</b></td> <td>T16 (G5) 1x54W non dimmable</td> <td>1185mm</td> <td>3,40kg</td> </tr> <tr> <td><b>M150369</b></td> <td>T16 (G5) 1x35W non dimmable</td> <td>1485mm</td> <td>4,20kg</td> </tr> <tr> <td><b>M150469</b></td> <td>T16 (G5) 1x80W non dimmable</td> <td>1485mm</td> <td>4,20kg</td> </tr> <tr> <td><b>M150168</b></td> <td>T16 (G5) 1x28W dimmable DALI</td> <td>1185mm</td> <td>3,40kg</td> </tr> <tr> <td><b>M150268</b></td> <td>T16 (G5) 1x54W dimmable DALI</td> <td>1185mm</td> <td>3,40kg</td> </tr> <tr> <td><b>M150368</b></td> <td>T16 (G5) 1x35W dimmable DALI</td> <td>1485mm</td> <td>4,20kg</td> </tr> <tr> <td><b>M150468</b></td> <td>T16 (G5) 1x80W dimmable DALI</td> <td>1485mm</td> <td>4,20kg</td> </tr> </tbody> </table>	CODE	LIGHT SOURCE	LENGTH	WEIGHT	<b>M150069</b>	T16 (G5) 1x24W non dimmable	585mm	1,50kg	<b>M150169</b>	T16 (G5) 1x28W non dimmable	1185mm	3,40kg	<b>M150269</b>	T16 (G5) 1x54W non dimmable	1185mm	3,40kg	<b>M150369</b>	T16 (G5) 1x35W non dimmable	1485mm	4,20kg	<b>M150469</b>	T16 (G5) 1x80W non dimmable	1485mm	4,20kg	<b>M150168</b>	T16 (G5) 1x28W dimmable DALI	1185mm	3,40kg	<b>M150268</b>	T16 (G5) 1x54W dimmable DALI	1185mm	3,40kg	<b>M150368</b>	T16 (G5) 1x35W dimmable DALI	1485mm	4,20kg	<b>M150468</b>	T16 (G5) 1x80W dimmable DALI	1485mm	4,20kg
		CODE	LIGHT SOURCE	LENGTH	WEIGHT																																					
		<b>M150069</b>	T16 (G5) 1x24W non dimmable	585mm	1,50kg																																					
		<b>M150169</b>	T16 (G5) 1x28W non dimmable	1185mm	3,40kg																																					
		<b>M150269</b>	T16 (G5) 1x54W non dimmable	1185mm	3,40kg																																					
		<b>M150369</b>	T16 (G5) 1x35W non dimmable	1485mm	4,20kg																																					
		<b>M150469</b>	T16 (G5) 1x80W non dimmable	1485mm	4,20kg																																					
		<b>M150168</b>	T16 (G5) 1x28W dimmable DALI	1185mm	3,40kg																																					
		<b>M150268</b>	T16 (G5) 1x54W dimmable DALI	1185mm	3,40kg																																					
		<b>M150368</b>	T16 (G5) 1x35W dimmable DALI	1485mm	4,20kg																																					
<b>M150468</b>	T16 (G5) 1x80W dimmable DALI	1485mm	4,20kg																																							



photometric data: see page 438.

## MINI FLAP SYSTEM WALL DUAL EMISSION (DIRECT WALL WASHER)

		 60																																								
			Ⓧ IP20 ● metal grey																																							
T16 (G5)		<table border="1"> <thead> <tr> <th>CODE</th> <th>LIGHT SOURCE</th> <th>LENGTH</th> <th>WEIGHT</th> </tr> </thead> <tbody> <tr> <td><b>M150569</b></td> <td>T16 (G5) 1x24W non dimmable</td> <td>585mm</td> <td>1,80kg</td> </tr> <tr> <td><b>M150669</b></td> <td>T16 (G5) 1x28W non dimmable</td> <td>1185mm</td> <td>4,20kg</td> </tr> <tr> <td><b>M150769</b></td> <td>T16 (G5) 1x54W non dimmable</td> <td>1185mm</td> <td>4,20kg</td> </tr> <tr> <td><b>M150869</b></td> <td>T16 (G5) 1x35W non dimmable</td> <td>1485mm</td> <td>5,10kg</td> </tr> <tr> <td><b>M150969</b></td> <td>T16 (G5) 1x80W non dimmable</td> <td>1485mm</td> <td>5,10kg</td> </tr> <tr> <td><b>M150668</b></td> <td>T16 (G5) 1x28W dimmable DALI</td> <td>1185mm</td> <td>4,20kg</td> </tr> <tr> <td><b>M150768</b></td> <td>T16 (G5) 1x54W dimmable DALI</td> <td>1185mm</td> <td>4,20kg</td> </tr> <tr> <td><b>M150868</b></td> <td>T16 (G5) 1x35W dimmable DALI</td> <td>1485mm</td> <td>5,10kg</td> </tr> <tr> <td><b>M150968</b></td> <td>T16 (G5) 1x80W dimmable DALI</td> <td>1485mm</td> <td>5,10kg</td> </tr> </tbody> </table>	CODE	LIGHT SOURCE	LENGTH	WEIGHT	<b>M150569</b>	T16 (G5) 1x24W non dimmable	585mm	1,80kg	<b>M150669</b>	T16 (G5) 1x28W non dimmable	1185mm	4,20kg	<b>M150769</b>	T16 (G5) 1x54W non dimmable	1185mm	4,20kg	<b>M150869</b>	T16 (G5) 1x35W non dimmable	1485mm	5,10kg	<b>M150969</b>	T16 (G5) 1x80W non dimmable	1485mm	5,10kg	<b>M150668</b>	T16 (G5) 1x28W dimmable DALI	1185mm	4,20kg	<b>M150768</b>	T16 (G5) 1x54W dimmable DALI	1185mm	4,20kg	<b>M150868</b>	T16 (G5) 1x35W dimmable DALI	1485mm	5,10kg	<b>M150968</b>	T16 (G5) 1x80W dimmable DALI	1485mm	5,10kg
		CODE	LIGHT SOURCE	LENGTH	WEIGHT																																					
		<b>M150569</b>	T16 (G5) 1x24W non dimmable	585mm	1,80kg																																					
		<b>M150669</b>	T16 (G5) 1x28W non dimmable	1185mm	4,20kg																																					
		<b>M150769</b>	T16 (G5) 1x54W non dimmable	1185mm	4,20kg																																					
		<b>M150869</b>	T16 (G5) 1x35W non dimmable	1485mm	5,10kg																																					
		<b>M150969</b>	T16 (G5) 1x80W non dimmable	1485mm	5,10kg																																					
		<b>M150668</b>	T16 (G5) 1x28W dimmable DALI	1185mm	4,20kg																																					
		<b>M150768</b>	T16 (G5) 1x54W dimmable DALI	1185mm	4,20kg																																					
		<b>M150868</b>	T16 (G5) 1x35W dimmable DALI	1485mm	5,10kg																																					
<b>M150968</b>	T16 (G5) 1x80W dimmable DALI	1485mm	5,10kg																																							

photometric data: see page 438.

## MINI FLAP SYSTEM WALL COMPONENTS

	Flat end cap, indirect emission. Thickness 2mm. <b>M159561</b> Right. <b>M159661</b> Left. ● metal grey		Dust-protection polycarbonate screen. <b>M080505</b> For modules 585mm long. <b>M080515</b> For modules 1185mm long. <b>M080525</b> For modules 1485mm long.
	Flat end cap, dual emission (direct wall washer). Thickness 2mm. <b>M158461</b> Right. <b>M158561</b> Left. ● metal grey		INTERACTIVE-DALI TECHNOLOGY INTERACTIVE-DALI components: see page 409.







# FLAP SYSTEM WALL

- LINEAR SYSTEM FOR WALL MOUNTING WITH DIRECT AND DIRECT-INDIRECT LIGHTING.
- EXTRUDED ALUMINIUM BODY WITH A METALLIC GREY PAINT FINISH.
- INDIRECT LIGHTING USING 1x28W TO 2x54W T16 FLUORESCENT LAMPS.
- DIRECT LIGHTING VIA 12V HALOGEN SPOTS (FOR UNITS EQUIPPED WITH TRANSFORMER AND LOW VOLTAGE TRACK).
- ELECTRONIC BALLAST.
- 90° CONNECTORS AVAILABLE ON REQUEST.
- PICTURE HANGING SYSTEM AS AN OPTIONAL EXTRA.
- SLIMLINE OR DECORATIVE END CAPS.
- COMPLIES WITH STANDARD EN60598-1 AND OTHER SPECIFIC STANDARDS.













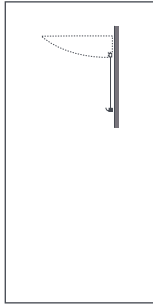
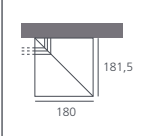

## FLAP SYSTEM WALL T16 INDIRECT EMISSION

			  IP20  metal grey																																															
			T16 (G5)																																															
	<table border="1"> <thead> <tr> <th>CODE</th> <th>LIGHT SOURCE</th> <th>LENGTH</th> <th>WEIGHT</th> </tr> </thead> <tbody> <tr> <td><b>M084060</b></td> <td>T16 (G5) 1x28W non dimmable</td> <td>1185mm</td> <td>4,30kg</td> </tr> <tr> <td><b>M084160</b></td> <td>T16 (G5) 1x35W non dimmable</td> <td>1485mm</td> <td>5,20kg</td> </tr> <tr> <td><b>M084260</b></td> <td>T16 (G5) 1x54W non dimmable</td> <td>1185mm</td> <td>4,30kg</td> </tr> <tr> <td><b>M084360</b></td> <td>T16 (G5) 2x28W non dimmable</td> <td>1185mm</td> <td>4,30kg</td> </tr> <tr> <td><b>M084460</b></td> <td>T16 (G5) 2x35W non dimmable</td> <td>1485mm</td> <td>5,20kg</td> </tr> <tr> <td><b>M084560</b></td> <td>T16 (G5) 2x54W non dimmable</td> <td>1185mm</td> <td>4,30kg</td> </tr> <tr> <td><b>M084061</b></td> <td>T16 (G5) 1x28W dimmable DALI</td> <td>1185mm</td> <td>4,40kg</td> </tr> <tr> <td><b>M084161</b></td> <td>T16 (G5) 1x35W dimmable DALI</td> <td>1485mm</td> <td>5,30kg</td> </tr> <tr> <td><b>M084261</b></td> <td>T16 (G5) 1x54W dimmable DALI</td> <td>1185mm</td> <td>4,40kg</td> </tr> <tr> <td><b>M084461</b></td> <td>T16 (G5) 2x35W dimmable DALI</td> <td>1485mm</td> <td>5,30kg</td> </tr> <tr> <td><b>M084561</b></td> <td>T16 (G5) 2x28-54W dimmable DALI</td> <td>1185mm</td> <td>4,40kg</td> </tr> </tbody> </table>	CODE	LIGHT SOURCE	LENGTH	WEIGHT	<b>M084060</b>	T16 (G5) 1x28W non dimmable	1185mm	4,30kg	<b>M084160</b>	T16 (G5) 1x35W non dimmable	1485mm	5,20kg	<b>M084260</b>	T16 (G5) 1x54W non dimmable	1185mm	4,30kg	<b>M084360</b>	T16 (G5) 2x28W non dimmable	1185mm	4,30kg	<b>M084460</b>	T16 (G5) 2x35W non dimmable	1485mm	5,20kg	<b>M084560</b>	T16 (G5) 2x54W non dimmable	1185mm	4,30kg	<b>M084061</b>	T16 (G5) 1x28W dimmable DALI	1185mm	4,40kg	<b>M084161</b>	T16 (G5) 1x35W dimmable DALI	1485mm	5,30kg	<b>M084261</b>	T16 (G5) 1x54W dimmable DALI	1185mm	4,40kg	<b>M084461</b>	T16 (G5) 2x35W dimmable DALI	1485mm	5,30kg	<b>M084561</b>	T16 (G5) 2x28-54W dimmable DALI	1185mm	4,40kg	
CODE	LIGHT SOURCE	LENGTH	WEIGHT																																															
<b>M084060</b>	T16 (G5) 1x28W non dimmable	1185mm	4,30kg																																															
<b>M084160</b>	T16 (G5) 1x35W non dimmable	1485mm	5,20kg																																															
<b>M084260</b>	T16 (G5) 1x54W non dimmable	1185mm	4,30kg																																															
<b>M084360</b>	T16 (G5) 2x28W non dimmable	1185mm	4,30kg																																															
<b>M084460</b>	T16 (G5) 2x35W non dimmable	1485mm	5,20kg																																															
<b>M084560</b>	T16 (G5) 2x54W non dimmable	1185mm	4,30kg																																															
<b>M084061</b>	T16 (G5) 1x28W dimmable DALI	1185mm	4,40kg																																															
<b>M084161</b>	T16 (G5) 1x35W dimmable DALI	1485mm	5,30kg																																															
<b>M084261</b>	T16 (G5) 1x54W dimmable DALI	1185mm	4,40kg																																															
<b>M084461</b>	T16 (G5) 2x35W dimmable DALI	1485mm	5,30kg																																															
<b>M084561</b>	T16 (G5) 2x28-54W dimmable DALI	1185mm	4,40kg																																															


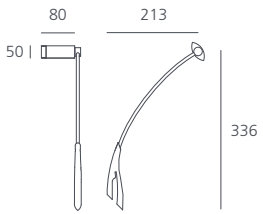

## FLAP SYSTEM WALL T16 WITH INTEGRAL LV TRACK


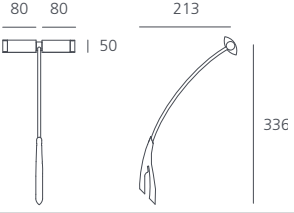

			  IP20  metal grey																											
			T16 (G5)																											
	<table border="1"> <thead> <tr> <th>CODE</th> <th>LIGHT SOURCE</th> <th>LENGTH</th> <th>WEIGHT</th> </tr> </thead> <tbody> <tr> <td><b>M084660</b></td> <td>T16 (G5) 1x28W non dimmable + BTS 100W max</td> <td>1185mm</td> <td>4,30kg</td> </tr> <tr> <td><b>M084760</b></td> <td>T16 (G5) 1x35W non dimmable + BTS 100W max</td> <td>1485mm</td> <td>5,20kg</td> </tr> <tr> <td><b>M084860</b></td> <td>T16 (G5) 1x54W non dimmable + BTS 100W max</td> <td>1185mm</td> <td>4,30kg</td> </tr> <tr> <td><b>M084661</b></td> <td>T16 (G5) 1x28W dimmable DALI + BTS 100W max</td> <td>1185mm</td> <td>4,30kg</td> </tr> <tr> <td><b>M084761</b></td> <td>T16 (G5) 1x35W dimmable DALI + BTS 100W max</td> <td>1485mm</td> <td>5,20kg</td> </tr> <tr> <td><b>M084861</b></td> <td>T16 (G5) 1x54W dimmable DALI + BTS 100W max</td> <td>1185mm</td> <td>4,30kg</td> </tr> </tbody> </table>	CODE	LIGHT SOURCE	LENGTH	WEIGHT	<b>M084660</b>	T16 (G5) 1x28W non dimmable + BTS 100W max	1185mm	4,30kg	<b>M084760</b>	T16 (G5) 1x35W non dimmable + BTS 100W max	1485mm	5,20kg	<b>M084860</b>	T16 (G5) 1x54W non dimmable + BTS 100W max	1185mm	4,30kg	<b>M084661</b>	T16 (G5) 1x28W dimmable DALI + BTS 100W max	1185mm	4,30kg	<b>M084761</b>	T16 (G5) 1x35W dimmable DALI + BTS 100W max	1485mm	5,20kg	<b>M084861</b>	T16 (G5) 1x54W dimmable DALI + BTS 100W max	1185mm	4,30kg	
CODE	LIGHT SOURCE	LENGTH	WEIGHT																											
<b>M084660</b>	T16 (G5) 1x28W non dimmable + BTS 100W max	1185mm	4,30kg																											
<b>M084760</b>	T16 (G5) 1x35W non dimmable + BTS 100W max	1485mm	5,20kg																											
<b>M084860</b>	T16 (G5) 1x54W non dimmable + BTS 100W max	1185mm	4,30kg																											
<b>M084661</b>	T16 (G5) 1x28W dimmable DALI + BTS 100W max	1185mm	4,30kg																											
<b>M084761</b>	T16 (G5) 1x35W dimmable DALI + BTS 100W max	1485mm	5,20kg																											
<b>M084861</b>	T16 (G5) 1x54W dimmable DALI + BTS 100W max	1185mm	4,30kg																											


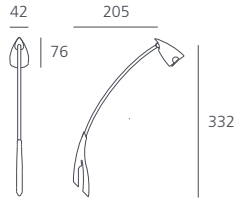

## FLAP SYSTEM WALL T16 COMPONENTS

	Flat end cap. Thickness 2mm. <b>M089461</b> Right. <b>M089561</b> Left.  metal grey		Picture hanging system with Ø4mm rod and sliding hook. Maximum load 15kg. <b>M086061</b> 500mm. <b>M086161</b> 1000mm. <b>M086261</b> 1500mm.
	<b>M089361</b> Decorative end cap.  metal grey		
INTERACTIVE-DALI TECHNOLOGY	INTERACTIVE-DALI components: see page 409.		

# FLAP SYSTEM WALL SPOTS

			
	⚡ IP20 ● metal grey		
QT12-UVr-ax (GY6,35) 	<b>CODE</b>	<b>LIGHT SOURCE</b>	<b>WEIGHT</b>
	<b>M015262</b>	QT12-UVr-ax (GY6,35) 12V 1xmax50W	0,10kg

			
	⚡ IP20 ● metal grey		
QT12-UVr-ax (GY6,35) 	<b>CODE</b>	<b>LIGHT SOURCE</b>	<b>WEIGHT</b>
	<b>M015462</b>	QT12-UVr-ax (GY6,35) 12V 2xmax50W	0,20kg

			
	⚡ IP20 ● metal grey		
QR-CBC35 (GU4) 	<b>CODE</b>	<b>LIGHT SOURCE</b>	<b>WEIGHT</b>
	<b>M015562</b>	QR-CBC35 (GU4) 12V 1xmax35W	0,10kg



# FLAP WALL/TABLEAU




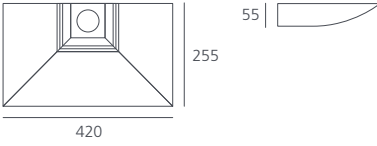





## FLAP WALL

- WALL LAMP FOR DIRECT-INDIRECT LIGHTING USING 300W HALOGEN AND 50W/12V DICHROIC HALOGEN LAMPS.
- EXTRUDED ALUMINIUM BODY WITH METALLIC GREY PAINT FINISH.
- ELECTRONIC TRANSFORMER.
- PROTECTIVE GLASS.
- COMPLIES WITH STANDARD EN60598-1 AND OTHER SPECIFIC STANDARDS.

## FLAP TABLEAU


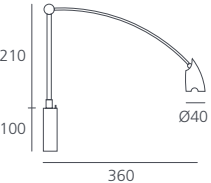




- WALL LAMP FOR THE LIGHTING OF PICTURES, MIRRORS, ETC., USING 12V HALOGEN LAMPS.
- DIRECTIONAL SPOTLIGHT WITH SINGLE OR DOUBLE HEAD.
- STEEL POWER SUPPLY UNIT.
- METALLIC GREY PAINT FINISH.
- INTEGRAL PICTURE HOOK.
- ELECTRONIC TRANSFORMER.
- COMPLIES WITH STANDARD EN60598-1 AND OTHER SPECIFIC STANDARDS.

## FLAP WALL


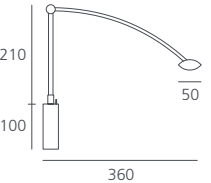




		  IP20  metal grey				
			<table border="1"> <thead> <tr> <th>CODE</th> <th>LIGHT SOURCE</th> <th>WEIGHT</th> </tr> </thead> <tbody> <tr> <td><b>M096261</b></td> <td>QT-DE12 (R7s) 1xmax300W + QR-CBC51 (GU5,3) 12V 1xmax50W</td> <td>1,80kg</td> </tr> </tbody> </table>	CODE	LIGHT SOURCE	WEIGHT
CODE	LIGHT SOURCE	WEIGHT				
<b>M096261</b>	QT-DE12 (R7s) 1xmax300W + QR-CBC51 (GU5,3) 12V 1xmax50W	1,80kg				
QT-DE12 (R7s)  QR-CBC51 (GU5,3) 						
Integral electronic transformer. Dimmable by trailing edge external dimmers.						

photometric data: see page 436.

## FLAP TABLEAU I

		  IP20  metal grey				
			<table border="1"> <thead> <tr> <th>CODE</th> <th>LIGHT SOURCE</th> <th>WEIGHT</th> </tr> </thead> <tbody> <tr> <td><b>M022061</b></td> <td>QR-CBC35 (GU4) 12V 1xmax35W</td> <td>0,70kg</td> </tr> </tbody> </table>	CODE	LIGHT SOURCE	WEIGHT
CODE	LIGHT SOURCE	WEIGHT				
<b>M022061</b>	QR-CBC35 (GU4) 12V 1xmax35W	0,70kg				
QR-CBC35 (GU4) 						
Integral electronic transformer. Dimmable by trailing edge external dimmers.						

## FLAP TABLEAU II

		  IP20  metal grey				
			<table border="1"> <thead> <tr> <th>CODE</th> <th>LIGHT SOURCE</th> <th>WEIGHT</th> </tr> </thead> <tbody> <tr> <td><b>M022161</b></td> <td>QT9-UVr-ax (G4) 12V 2xmax 20W</td> <td>0,80kg</td> </tr> </tbody> </table>	CODE	LIGHT SOURCE	WEIGHT
CODE	LIGHT SOURCE	WEIGHT				
<b>M022161</b>	QT9-UVr-ax (G4) 12V 2xmax 20W	0,80kg				
QT9-UVr-ax (G4) 						
Integral electronic transformer 20-50W, 230V/12V. Dimmable by trailing edge external dimmers.						

photometric data: see page 436.



BANCA POPOLARE DI MILANO, MILAN (I), CARLOTTA DE BEVILACQUA.



ADSERV, MILAN (I), P CAROZZI.

# RA SYSTEM

design FOSTER & PARTNERS



- MULTIFUNCTIONAL MODULAR SYSTEM USING T16 FLUORESCENT LAMPS. THE SYSTEM COMPRISES OF A PRE-CABLED EXTRUDED ALUMINIUM STRUCTURE WITH GREY PAINT FINISH, VARIOUS INTERCHANGEABLE OPTICS AND PANELS FOR AUXILIARY SERVICES.
- THE STRUCTURE COMES IN 2 DIFFERENT WIDTHS (400MM OR 600MM) AND LENGTHS (2080MM OR 2380MM) DEPENDING ON THE LAMPS NUMBER AND WATTAGE. STRUCTURE AVAILABLE WITH OR WITHOUT A THREE-PHASE TRACK SUITABLE FOR SPOTLIGHTS WITH ADAPTER, FOR LCD SCREENS, ETC.
- THE WIDE RANGE OF INTERCHANGEABLE OPTICS AND LIGHT EMISSION OPTIONS MEET THE NEEDS OF MANY DIFFERENT APPLICATIONS LIKE IN OFFICE ENVIRONMENTS, PREMISES EQUIPPED WITH COMPUTER TERMINALS, WAITING ROOMS, HALLS, RESTAURANTS, AIRPORTS, EXHIBITION HALLS, MUSEUMS, COMMERCIAL PREMISES, ETC.
- RA SYSTEM MAY BE EQUIPPED WITH SAFETY SYSTEMS (SMOKE DETECTORS, INDEPENDENT UNITS), DETECTOR UNITS (MOVEMENT OR DAYLIGHT SENSORS) AND WITH AUXILIARY SERVICES (AUDIO, VIDEO, THERMOSTATS OR SIGNAL PANELS). SUCH DEVICES ENHANCE ITS FUNCTIONAL NATURE AND ENSURE INTELLIGENT AND RATIONAL USE OF THE SYSTEM.

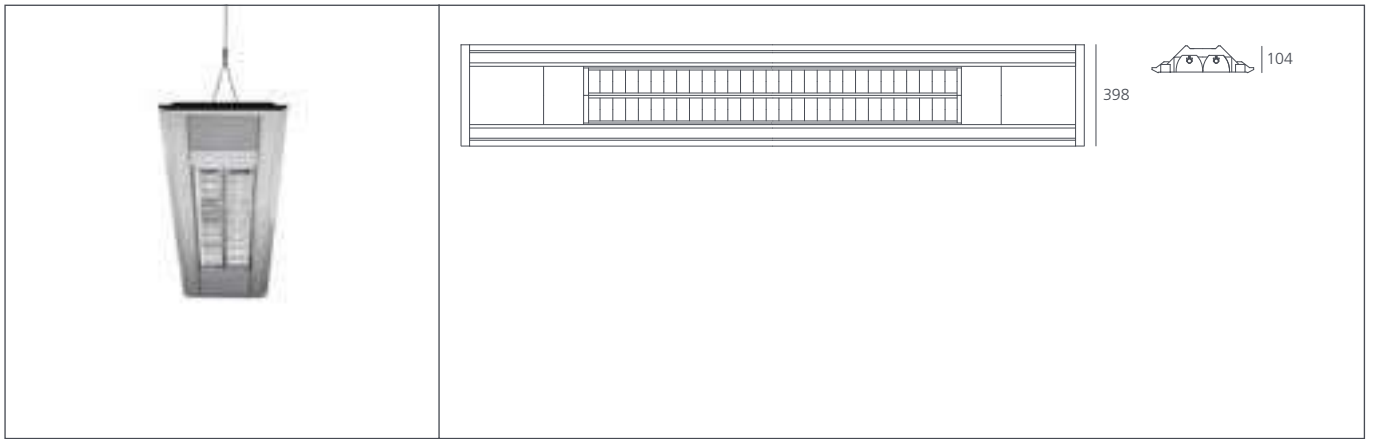
- RA SYSTEM CAN BE INSTALLED AS A PENDANT, AS A CEILING LIGHT OR RECESSED INTO PLASTERBOARD FALSE CEILINGS.
- INTERMEDIATE CONNECTORS, END PIECES OR PENDANT SYSTEMS ARE TO BE ORDERED SEPARATELY.
- ELECTRONIC BALLAST OR DALI DIMMABLE BALLAST.
- AN OPTIONAL CABLE DUCT CAN BE INSTALLED IN THE UPPER PART OF THE STRUCTURE.
- COMPLIES WITH STANDARD EN60598-1 AND OTHER SPECIFIC STANDARDS.

NOT ONLY DOES RA SYSTEM REPRESENT A PLATFORM CAPABLE OF ACCOMMODATING DIFFERENT LIGHTING SYSTEMS, IT ALSO ACTS AS A SUPPORT FOR OTHER SYSTEMS OR SERVICES RELATED TO THE WORKING ENVIRONMENT. RA SPECIAL PROJECTS PROVIDES A RANGE OF ACCESSORIES AND INTEGRATED SYSTEMS, WHOSE PURPOSE IS TO IMPROVE THE QUALITY OF LIFE OF ANY INTERIOR ENVIRONMENT BY SATISFYING ALL OF THE END USER'S SPECIFIC NEEDS.

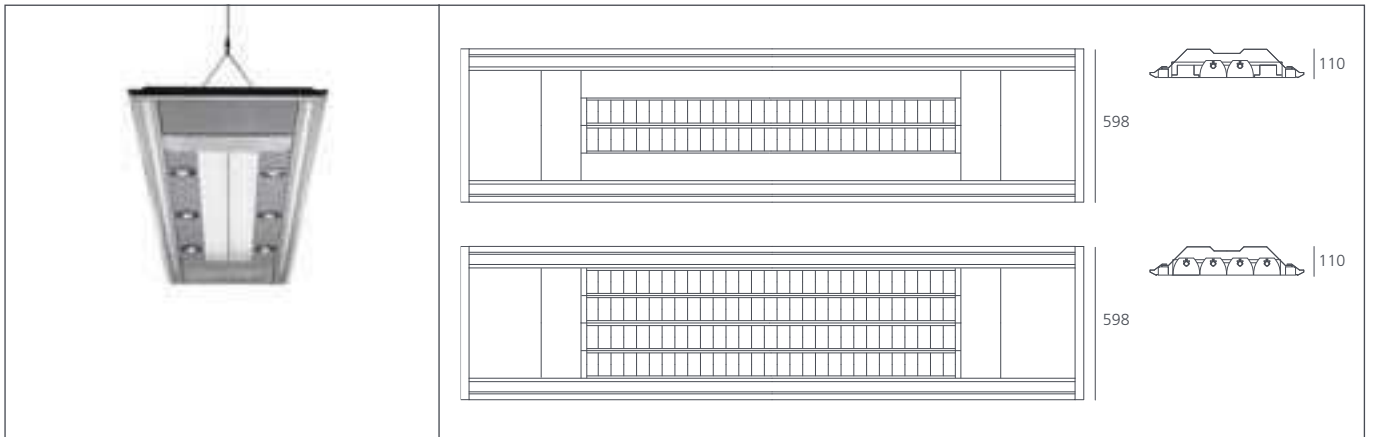
IN VIRTUE OF ITS CLOSE COLLABORATION WITH FIRST-RATE SUPPLIERS, ARTEMIDE IS ABLE TO OFFER SOLUTIONS AND EQUIPMENT SUITABLE FOR ALL TYPES OF PROJECTS.





## RA SYSTEM 400MM 2 LAMPS




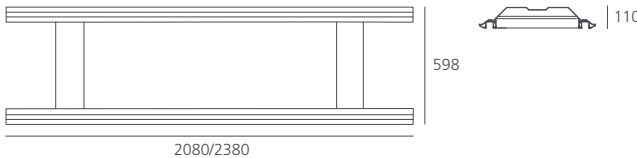
## RA SYSTEM 600MM 2/4 LAMPS




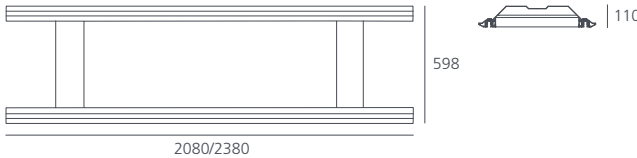
## RA SYSTEM BASE STRUCTURE 400MM WITHOUT TRACK

																							
	<p>⊕ ⊖ ● metal grey</p>																						
<table border="1"> <thead> <tr> <th>CODE</th> <th>VERSION</th> <th>LENGTH</th> <th>WEIGHT</th> </tr> </thead> <tbody> <tr> <td><b>L580300</b></td> <td>non dimmable</td> <td>2080mm (2x28W)</td> <td>11,65kg</td> </tr> <tr> <td><b>L580400</b></td> <td>non dimmable</td> <td>2380mm (2x35W)</td> <td>12,80kg</td> </tr> <tr> <td><b>L580900</b></td> <td>dimmable DALI</td> <td>2080mm (2x28W)</td> <td>11,65kg</td> </tr> <tr> <td><b>L581000</b></td> <td>dimmable DALI</td> <td>2380mm (2x35W)</td> <td>12,80kg</td> </tr> </tbody> </table>				CODE	VERSION	LENGTH	WEIGHT	<b>L580300</b>	non dimmable	2080mm (2x28W)	11,65kg	<b>L580400</b>	non dimmable	2380mm (2x35W)	12,80kg	<b>L580900</b>	dimmable DALI	2080mm (2x28W)	11,65kg	<b>L581000</b>	dimmable DALI	2380mm (2x35W)	12,80kg
CODE	VERSION	LENGTH	WEIGHT																				
<b>L580300</b>	non dimmable	2080mm (2x28W)	11,65kg																				
<b>L580400</b>	non dimmable	2380mm (2x35W)	12,80kg																				
<b>L580900</b>	dimmable DALI	2080mm (2x28W)	11,65kg																				
<b>L581000</b>	dimmable DALI	2380mm (2x35W)	12,80kg																				


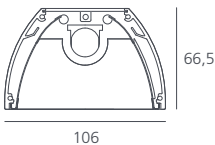



## RA SYSTEM BASE STRUCTURE 600MM WITHOUT TRACK

																																							
	<p>⊕ ⊖ ● metal grey</p>																																						
<table border="1"> <thead> <tr> <th>CODE</th> <th>VERSION</th> <th>LENGTH</th> <th>WEIGHT</th> </tr> </thead> <tbody> <tr> <td><b>L560300</b></td> <td>non dimmable</td> <td>2080mm (2x28W)</td> <td>19,40kg</td> </tr> <tr> <td><b>L560400</b></td> <td>non dimmable</td> <td>2380mm (2x35W)</td> <td>19,70kg</td> </tr> <tr> <td><b>L562300</b></td> <td>non dimmable</td> <td>2080mm (4x28W)</td> <td>20,50kg</td> </tr> <tr> <td><b>L562400</b></td> <td>non dimmable</td> <td>2380mm (4x35W)</td> <td>20,80kg</td> </tr> <tr> <td><b>L560900</b></td> <td>dimmable DALI</td> <td>2080mm (2x28W)</td> <td>19,40kg</td> </tr> <tr> <td><b>L561000</b></td> <td>dimmable DALI</td> <td>2380mm (2x35W)</td> <td>19,70kg</td> </tr> <tr> <td><b>L562900</b></td> <td>dimmable DALI</td> <td>2080mm (4x28W)</td> <td>20,50kg</td> </tr> <tr> <td><b>L563000</b></td> <td>dimmable DALI</td> <td>2380mm (4x35W)</td> <td>20,80kg</td> </tr> </tbody> </table>				CODE	VERSION	LENGTH	WEIGHT	<b>L560300</b>	non dimmable	2080mm (2x28W)	19,40kg	<b>L560400</b>	non dimmable	2380mm (2x35W)	19,70kg	<b>L562300</b>	non dimmable	2080mm (4x28W)	20,50kg	<b>L562400</b>	non dimmable	2380mm (4x35W)	20,80kg	<b>L560900</b>	dimmable DALI	2080mm (2x28W)	19,40kg	<b>L561000</b>	dimmable DALI	2380mm (2x35W)	19,70kg	<b>L562900</b>	dimmable DALI	2080mm (4x28W)	20,50kg	<b>L563000</b>	dimmable DALI	2380mm (4x35W)	20,80kg
CODE	VERSION	LENGTH	WEIGHT																																				
<b>L560300</b>	non dimmable	2080mm (2x28W)	19,40kg																																				
<b>L560400</b>	non dimmable	2380mm (2x35W)	19,70kg																																				
<b>L562300</b>	non dimmable	2080mm (4x28W)	20,50kg																																				
<b>L562400</b>	non dimmable	2380mm (4x35W)	20,80kg																																				
<b>L560900</b>	dimmable DALI	2080mm (2x28W)	19,40kg																																				
<b>L561000</b>	dimmable DALI	2380mm (2x35W)	19,70kg																																				
<b>L562900</b>	dimmable DALI	2080mm (4x28W)	20,50kg																																				
<b>L563000</b>	dimmable DALI	2380mm (4x35W)	20,80kg																																				

## RA SYSTEM BASE STRUCTURE 600MM WITH 3-CIRCUIT TRACK


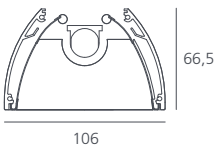



																																							
	<p>⊕ ⊖ ● metal grey</p>																																						
<table border="1"> <thead> <tr> <th>CODE</th> <th>VERSION</th> <th>LENGTH</th> <th>WEIGHT</th> </tr> </thead> <tbody> <tr> <td><b>L560700</b></td> <td>non dimmable</td> <td>2080mm (2x28W)</td> <td>21,00kg</td> </tr> <tr> <td><b>L560800</b></td> <td>non dimmable</td> <td>2380mm (2x35W)</td> <td>21,30kg</td> </tr> <tr> <td><b>L562700</b></td> <td>non dimmable</td> <td>2080mm (4x28W)</td> <td>22,00kg</td> </tr> <tr> <td><b>L562800</b></td> <td>non dimmable</td> <td>2380mm (4x35W)</td> <td>22,50kg</td> </tr> <tr> <td><b>L561100</b></td> <td>dimmable DALI</td> <td>2080mm (2x28W)</td> <td>21,00kg</td> </tr> <tr> <td><b>L561200</b></td> <td>dimmable DALI</td> <td>2380mm (2x35W)</td> <td>21,30kg</td> </tr> <tr> <td><b>L563100</b></td> <td>dimmable DALI</td> <td>2080mm (4x28W)</td> <td>22,00kg</td> </tr> <tr> <td><b>L563200</b></td> <td>dimmable DALI</td> <td>2380mm (4x35W)</td> <td>22,50kg</td> </tr> </tbody> </table>				CODE	VERSION	LENGTH	WEIGHT	<b>L560700</b>	non dimmable	2080mm (2x28W)	21,00kg	<b>L560800</b>	non dimmable	2380mm (2x35W)	21,30kg	<b>L562700</b>	non dimmable	2080mm (4x28W)	22,00kg	<b>L562800</b>	non dimmable	2380mm (4x35W)	22,50kg	<b>L561100</b>	dimmable DALI	2080mm (2x28W)	21,00kg	<b>L561200</b>	dimmable DALI	2380mm (2x35W)	21,30kg	<b>L563100</b>	dimmable DALI	2080mm (4x28W)	22,00kg	<b>L563200</b>	dimmable DALI	2380mm (4x35W)	22,50kg
CODE	VERSION	LENGTH	WEIGHT																																				
<b>L560700</b>	non dimmable	2080mm (2x28W)	21,00kg																																				
<b>L560800</b>	non dimmable	2380mm (2x35W)	21,30kg																																				
<b>L562700</b>	non dimmable	2080mm (4x28W)	22,00kg																																				
<b>L562800</b>	non dimmable	2380mm (4x35W)	22,50kg																																				
<b>L561100</b>	dimmable DALI	2080mm (2x28W)	21,00kg																																				
<b>L561200</b>	dimmable DALI	2380mm (2x35W)	21,30kg																																				
<b>L563100</b>	dimmable DALI	2080mm (4x28W)	22,00kg																																				
<b>L563200</b>	dimmable DALI	2380mm (4x35W)	22,50kg																																				

## RA SYSTEM DIRECT DARK LIGHT OPTIC

		  IP20  metal grey								
			T16 (G5)							
	<table border="1"> <thead> <tr> <th>CODE</th> <th>LIGHT SOURCE</th> <th>WEIGHT</th> </tr> </thead> <tbody> <tr> <td><b>L564200</b></td> <td>T16 (G5) 1x28W</td> <td>2,00kg</td> </tr> <tr> <td><b>L564300</b></td> <td>T16 (G5) 1x35W</td> <td>2,50kg</td> </tr> </tbody> </table>	CODE	LIGHT SOURCE	WEIGHT	<b>L564200</b>	T16 (G5) 1x28W	2,00kg	<b>L564300</b>	T16 (G5) 1x35W	2,50kg
CODE	LIGHT SOURCE	WEIGHT								
<b>L564200</b>	T16 (G5) 1x28W	2,00kg								
<b>L564300</b>	T16 (G5) 1x35W	2,50kg								


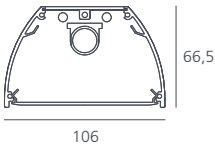



photometric data: see page 435.

## RA SYSTEM DIRECT/INDIRECT DARK LIGHT OPTIC

		  IP20  metal grey								
			T16 (G5)							
	<table border="1"> <thead> <tr> <th>CODE</th> <th>LIGHT SOURCE</th> <th>WEIGHT</th> </tr> </thead> <tbody> <tr> <td><b>L565000</b></td> <td>T16 (G5) 1x28W</td> <td>2,00kg</td> </tr> <tr> <td><b>L565100</b></td> <td>T16 (G5) 1x35W</td> <td>2,50kg</td> </tr> </tbody> </table>	CODE	LIGHT SOURCE	WEIGHT	<b>L565000</b>	T16 (G5) 1x28W	2,00kg	<b>L565100</b>	T16 (G5) 1x35W	2,50kg
CODE	LIGHT SOURCE	WEIGHT								
<b>L565000</b>	T16 (G5) 1x28W	2,00kg								
<b>L565100</b>	T16 (G5) 1x35W	2,50kg								


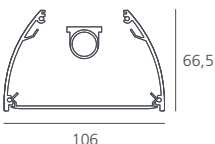



photometric data: see page 435.

## RA SYSTEM DIRECT DIFFUSER OPTIC

		  IP20  metal grey								
			T16 (G5)							
	<table border="1"> <thead> <tr> <th>CODE</th> <th>LIGHT SOURCE</th> <th>WEIGHT</th> </tr> </thead> <tbody> <tr> <td><b>L565800</b></td> <td>T16 (G5) 1x28W</td> <td>2,00kg</td> </tr> <tr> <td><b>L565900</b></td> <td>T16 (G5) 1x35W</td> <td>2,50kg</td> </tr> </tbody> </table>	CODE	LIGHT SOURCE	WEIGHT	<b>L565800</b>	T16 (G5) 1x28W	2,00kg	<b>L565900</b>	T16 (G5) 1x35W	2,50kg
CODE	LIGHT SOURCE	WEIGHT								
<b>L565800</b>	T16 (G5) 1x28W	2,00kg								
<b>L565900</b>	T16 (G5) 1x35W	2,50kg								


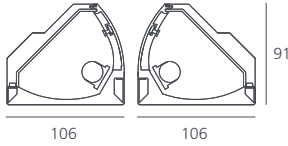



photometric data: see page 435.

## RA SYSTEM DIRECT/INDIRECT DIFFUSER OPTIC

		  IP20  metal grey								
			T16 (G5)							
	<table border="1"> <thead> <tr> <th>CODE</th> <th>LIGHT SOURCE</th> <th>WEIGHT</th> </tr> </thead> <tbody> <tr> <td><b>L566600</b></td> <td>T16 (G5) 1x28W</td> <td>2,00kg</td> </tr> <tr> <td><b>L566700</b></td> <td>T16 (G5) 1x35W</td> <td>2,50kg</td> </tr> </tbody> </table>	CODE	LIGHT SOURCE	WEIGHT	<b>L566600</b>	T16 (G5) 1x28W	2,00kg	<b>L566700</b>	T16 (G5) 1x35W	2,50kg
CODE	LIGHT SOURCE	WEIGHT								
<b>L566600</b>	T16 (G5) 1x28W	2,00kg								
<b>L566700</b>	T16 (G5) 1x35W	2,50kg								

photometric data: see page 435.

## RA SYSTEM INDIRECT ASYMMETRICAL OPTIC

		  IP20  metal grey									
			T16 (G5)								
	<table border="1"> <thead> <tr> <th>CODE</th> <th>LIGHT SOURCE</th> <th>WEIGHT</th> </tr> </thead> <tbody> <tr> <td><b>L567800</b></td> <td>T16 (G5) 1x28W + 1x28W</td> <td>4,00kg</td> </tr> <tr> <td><b>L567900</b></td> <td>T16 (G5) 1x35W + 1x35W</td> <td>5,00kg</td> </tr> </tbody> </table>	CODE	LIGHT SOURCE	WEIGHT	<b>L567800</b>	T16 (G5) 1x28W + 1x28W	4,00kg	<b>L567900</b>	T16 (G5) 1x35W + 1x35W	5,00kg	
CODE	LIGHT SOURCE	WEIGHT									
<b>L567800</b>	T16 (G5) 1x28W + 1x28W	4,00kg									
<b>L567900</b>	T16 (G5) 1x35W + 1x35W	5,00kg									

photometric data: see page 435.

## RA SYSTEM ACCESSORIES

	End cap. <b>L575000</b> For RA SYSTEM 400mm. <b>L571000</b> For RA SYSTEM 600mm.		<b>L570900</b> Mid element for module connection (set of 2).
	End panel in microperforated steel. 285mm. <b>L575100</b> For RA SYSTEM 400mm. <b>L570100</b> For RA SYSTEM 600mm.		<b>L572600</b> Track live end + end cap for RA SYSTEM 600mm.
	Mid panel in microperforated steel. 580mm. <b>L575200</b> For RA SYSTEM 400mm. <b>L570200</b> For RA SYSTEM 600mm.		<b>L572700</b> Mid track connector (set of 2) for RA SYSTEM 600mm.
	Optic compartment cover (set of 2). <b>L572400</b> 28W. <b>L572500</b> 35W.		<b>L571700</b> Steel suspension cable. 2000mm.
	Upper cable duct. <b>L571110</b> End cap. <b>L571140</b> 28W mid. <b>L571150</b> 35W mid.		<b>L571800</b> Adjustable 4 wires suspension kit (for 1 module). 2000mm.
	<b>L573300</b> Mid connector. <b>L573400</b> End cap 2 pieces.		<b>L571600</b> Power supply rose, with feed cable (5x1,5mm <sup>2</sup> ). Ø120mm.
	Duct cover. <b>L571210</b> Terminal. <b>L571240</b> 28W mid. <b>L571250</b> 35W mid.		

# ORION SYSTEM

design S. & R. CORNELISSEN



## ORION SYSTEM

- MODULAR PENDANT SYSTEM WITH INDIRECT LIGHTING USING T16 FLUORESCENT LAMPS.
- EXTRUDED ALUMINUM BODY WITH WHITE PAINT FINISH.
- CONTINUOUS LINEAR MOUNTING OR WITH 90° CONNECTORS (INTERNAL AND EXTERNAL ANGLES).
- EXTRUDED ALUMINUM END CAPS (PROVIDED WITH STEEL CABLE SUSPENSION SET).
- ELECTRONIC BALLAST, WITH OR WITHOUT DIMMING (DALI-SWITCHDIM).
- EMERGENCY LIGHTING AS AN OPTIONAL EXTRA.
- POLYCARBONATE DUST-PROTECTION COVER.
- QUICK ADJUSTMENT 2,5-METER LONG STEEL SUSPENSION CABLES.
- COMPLIES WITH STANDARD EN60598-1 AND OTHER SPECIFIC STANDARDS.

## ORION PROJECTORS

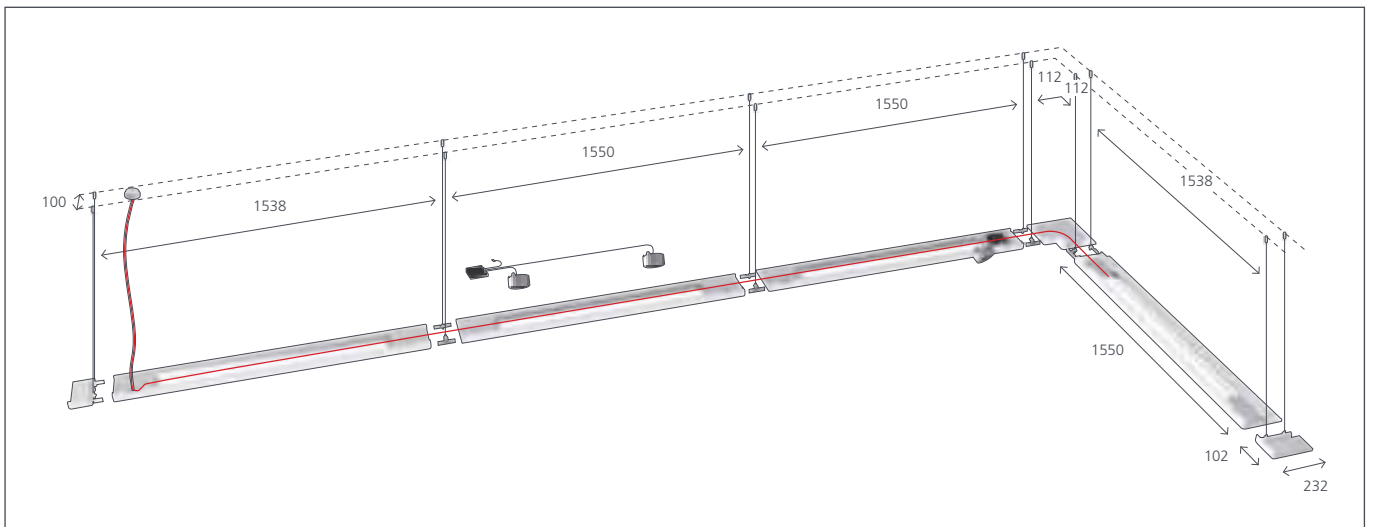
- ADJUSTABLE SPOTLIGHTS USING QR111/12V HALOGEN OR HIR111 METAL HALIDE LAMPS.
- AVAILABLE IN MONO OR DUO KIT, THEY COME COMPLETE WITH CABLES AND ELECTRONIC CONTROL GEAR.
- INSTALLED BY SIMPLE CLIPPING ONTO A BUILT IN MECHANICAL TRACK.
- TILT ANGLE OF UP TO 60°, ROTATION OF UP TO 180°.
- EACH **ORION SYSTEM** MODULE CAN TAKE 1 OR 2 KITS (OR 1 TO 4 SPOTLIGHTS).
- COMPLIES WITH STANDARD EN60598-1 AND OTHER SPECIFIC STANDARDS.







NHN CORPORATION HQ'S, BUNDANG-GU (KOR), NBBJ, SAMOO, NHN SPX TEAM.

## ORION SYSTEM


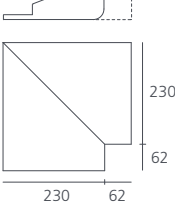



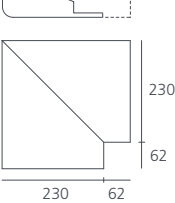



## ORION SYSTEM





		IP20 850° ○ white												
			T16 (G5)											
	<table border="1"> <thead> <tr> <th>CODE</th> <th>LIGHT SOURCE</th> <th>WEIGHT</th> </tr> </thead> <tbody> <tr> <td><b>M177520</b></td> <td>T16 (G5) 2x54W non dimmable</td> <td>5,00kg</td> </tr> <tr> <td><b>M177527</b></td> <td>T16 (G5) 2x54W non dimmable + emergency 1h</td> <td>5,80kg</td> </tr> <tr> <td><b>M177521</b></td> <td>T16 (G5) 2x54W dimmable DALI</td> <td>5,00kg</td> </tr> </tbody> </table>	CODE	LIGHT SOURCE	WEIGHT	<b>M177520</b>	T16 (G5) 2x54W non dimmable	5,00kg	<b>M177527</b>	T16 (G5) 2x54W non dimmable + emergency 1h	5,80kg	<b>M177521</b>	T16 (G5) 2x54W dimmable DALI	5,00kg	
CODE	LIGHT SOURCE	WEIGHT												
<b>M177520</b>	T16 (G5) 2x54W non dimmable	5,00kg												
<b>M177527</b>	T16 (G5) 2x54W non dimmable + emergency 1h	5,80kg												
<b>M177521</b>	T16 (G5) 2x54W dimmable DALI	5,00kg												

photometric data: see page 434.

## ORION SYSTEM COMPONENTS

	<b>M178020</b> 90° internal corner. Unwired. 		End cap. 102x230mm. Includes 1 set of steel suspension cables 1200mm long. <b>M178220</b> left. <b>M178320</b> right. ○ white
	○ white		<b>M178420</b> Set of steel suspension cables. 1200mm.
	<b>M178120</b> 90° external corner. Unwired. 		Power feed cable 1200mm long. Ceiling plate Ø100mm. <b>M178520</b> 5 wires. 5x1,5mm <sup>2</sup> . ○ white
	○ white	<b>INTERACTIVE-DALI TECHNOLOGY</b>	INTERACTIVE-DALI components: see page 409.

## ORION PROJECTOR KIT

																							
		IP20 850° ○ white 0 ● grey 2																					
QR111 (G53) HIR111-CE-P (GX8,5)	<table border="1"> <thead> <tr> <th>CODE</th> <th>LIGHT SOURCE</th> <th>VERSION</th> <th>CLASS</th> <th>WEIGHT</th> </tr> </thead> <tbody> <tr> <td><b>M1735.0</b></td> <td>QR111 (G53) 12V 1xmax100W</td> <td>Single projector</td> <td>□</td> <td>0,70kg</td> </tr> <tr> <td><b>M1737.0</b></td> <td>HIR111-CE-P (GX8,5) 1x70W</td> <td>Single projector</td> <td>⊕</td> <td>0,70kg</td> </tr> <tr> <td><b>M1738.0</b></td> <td>HIR111-CE-P (GX8,5) 2x35W</td> <td>Double projector</td> <td>⊕</td> <td>1,00kg</td> </tr> </tbody> </table>	CODE	LIGHT SOURCE	VERSION	CLASS	WEIGHT	<b>M1735.0</b>	QR111 (G53) 12V 1xmax100W	Single projector	□	0,70kg	<b>M1737.0</b>	HIR111-CE-P (GX8,5) 1x70W	Single projector	⊕	0,70kg	<b>M1738.0</b>	HIR111-CE-P (GX8,5) 2x35W	Double projector	⊕	1,00kg		
CODE	LIGHT SOURCE	VERSION	CLASS	WEIGHT																			
<b>M1735.0</b>	QR111 (G53) 12V 1xmax100W	Single projector	□	0,70kg																			
<b>M1737.0</b>	HIR111-CE-P (GX8,5) 1x70W	Single projector	⊕	0,70kg																			
<b>M1738.0</b>	HIR111-CE-P (GX8,5) 2x35W	Double projector	⊕	1,00kg																			
	Kit comes prewired, with electronic power supply.																						

# ORION SUSPENSION


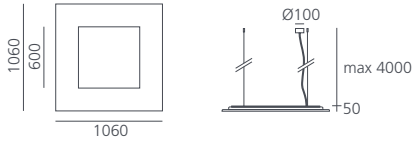






- SINGLE PENDANT WITH INDIRECT LIGHTING USING 4X55W TC-LEL FLUORESCENT LAMPS.
- EXTRUDED ALUMINIUM BODY WITH WHITE PAINT FINISH.
- OPTIONAL ACCENT LIGHTING SPOTLIGHTS USING QR111/12V HALOGEN OR HIR111 METAL-HALIDE LAMPS.
- AVAILABLE IN MONO OR DUO KIT, THESE SPOTLIGHTS COME COMPLETE WITH CABLES AND ELECTRONIC CONTROL GEAR.
- EACH PENDANT CAN TAKE 1 TO 8 SPOTS (OR 1 TO 4 KITS) INSTALLED BY SIMPLE CLIPPING ONTO A BUILT IN MECHANICAL TRACK.
- LIGHT OUTPUT RATIO: 60%.
- ELECTRONIC BALLAST OR DALI-SWITCHDIM DIMMABLE ELECTRONIC BALLAST, AND EMERGENCY LIGHTING.
- LUMINAIRE COMES COMPLETE WITH 4 QUICK-ADJUSTMENT STEEL SUSPENSION CABLES 4 METRES IN LENGTH, CEILING PLATE AND POWER CABLE.
- COMPLIES WITH STANDARD EN60598-1 AND OTHER SPECIFIC STANDARDS.



















KRONOSPAN ITALIA, SAN VITO AL TAGLIAMENTO (I), PIERLUIGI GIORDANO - MAURO BELLINZANI.

## ORION SUSPENSION

		  												
		TC-LEL (2G11)		<table border="1"> <thead> <tr> <th>CODE</th> <th>LIGHT SOURCE</th> <th>WEIGHT</th> </tr> </thead> <tbody> <tr> <td><b>M173020</b></td> <td>TC-LEL (2G11) 4x55W non dimmable</td> <td>15,50kg</td> </tr> <tr> <td><b>M173027</b></td> <td>TC-LEL (2G11) 4x55W non dimmable + emergency 1h</td> <td>16,10kg</td> </tr> <tr> <td><b>M173021</b></td> <td>TC-LEL (2G11) 4x55W dimmable DALI</td> <td>15,50kg</td> </tr> </tbody> </table>	CODE	LIGHT SOURCE	WEIGHT	<b>M173020</b>	TC-LEL (2G11) 4x55W non dimmable	15,50kg	<b>M173027</b>	TC-LEL (2G11) 4x55W non dimmable + emergency 1h	16,10kg	<b>M173021</b>
CODE	LIGHT SOURCE	WEIGHT												
<b>M173020</b>	TC-LEL (2G11) 4x55W non dimmable	15,50kg												
<b>M173027</b>	TC-LEL (2G11) 4x55W non dimmable + emergency 1h	16,10kg												
<b>M173021</b>	TC-LEL (2G11) 4x55W dimmable DALI	15,50kg												

photometric data: see page 434.

## ORION PROJECTOR KIT

			   																			
			QR111 (G53)		<table border="1"> <thead> <tr> <th>CODE</th> <th>LIGHT SOURCE</th> <th>VERSION</th> <th>CLASS</th> <th>WEIGHT</th> </tr> </thead> <tbody> <tr> <td><b>M1735.0</b></td> <td>QR111 (G53) 12V 1xmax100W</td> <td>Single projector</td> <td></td> <td>0,70kg</td> </tr> <tr> <td><b>M1737.0</b></td> <td>HIR111-CE-P (GX8,5) 1x70W</td> <td>Single projector</td> <td></td> <td>0,70kg</td> </tr> <tr> <td><b>M1738.0</b></td> <td>HIR111-CE-P (GX8,5) 2x35W</td> <td>Double projector</td> <td></td> <td>1,00kg</td> </tr> </tbody> </table>	CODE	LIGHT SOURCE	VERSION	CLASS	WEIGHT	<b>M1735.0</b>	QR111 (G53) 12V 1xmax100W	Single projector		0,70kg	<b>M1737.0</b>	HIR111-CE-P (GX8,5) 1x70W	Single projector		0,70kg	<b>M1738.0</b>	HIR111-CE-P (GX8,5) 2x35W
CODE	LIGHT SOURCE	VERSION	CLASS	WEIGHT																		
<b>M1735.0</b>	QR111 (G53) 12V 1xmax100W	Single projector		0,70kg																		
<b>M1737.0</b>	HIR111-CE-P (GX8,5) 1x70W	Single projector		0,70kg																		
<b>M1738.0</b>	HIR111-CE-P (GX8,5) 2x35W	Double projector		1,00kg																		

Kit comes prewired, with electronic power supply.

## ORION SUSPENSION ACCESSORIES

<p><b>INTERACTIVE-DALI TECHNOLOGY</b></p>	<p>INTERACTIVE-DALI components: see page 409.</p>
---	---

# MIX SYSTEM

design BRUNO HOUSSIN & ALAIN GIROT




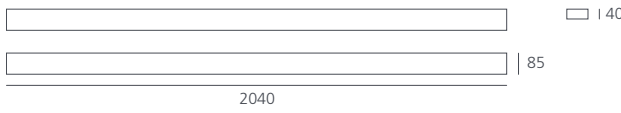


- MULTI-SOURCE MODULAR PENDANT SYSTEM USING 12V HALOGEN, METAL-HALIDE AND COMPACT FLUORESCENT LAMPS.
- THE SUPPORTING STRUCTURE IS COMPRISED OF 2 PARALLEL LINEAR PROFILES MADE OF EXTRUDED ALUMINIUM, LENGTH 2040MM, WITH A LIGHT GREY PAINT FINISH. ONE OF THE PROFILES IS INTENDED TO HOST THE MAINS POWER SUPPLY CABLES, WHILST THE OTHER ACTS AS HOST TO AUXILIARY CIRCUITS ALLOWING FOR SERVICES LIKE AUDIO, VIDEO, COMPUTER, SMOKE DETECTOR, ETC.
- STEEL LIGHTING MODULES WITH ANTHRACITE GREY PAINT FINISH, AVAILABLE IN 330MM OR 670MM LENGTHS DEPENDING ON THE LIGHT SOURCES. THEY CAN BE INSTALLED FREELY AT ANY POINT ON THE STRUCTURE DEPENDING ON THE LIGHTING SOLUTION REQUIRED.
- INTEGRAL CONTROL GEAR.
- SUSPENSION ROD FOR SIGNAL PANELS AVAILABLE AS AN OPTIONAL EXTRA.
- SUSPENSION CABLES, POWER CABLES, LINEAR OR 90° CONNECTORS AND DECORATIVE END CAPS TO BE ORDERED SEPARATELY.
- COMPLIES WITH STANDARD EN60598-1 AND OTHER SPECIFIC STANDARDS.


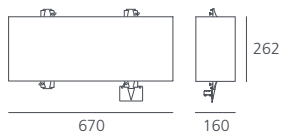




## MIX SYSTEM STRUCTURE


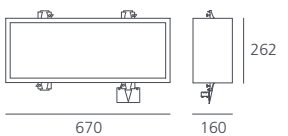
				
	<p>● grey</p> <table border="1"> <thead> <tr> <th>CODE</th> <th>WEIGHT</th> </tr> </thead> <tbody> <tr> <td><b>M130090</b> Structure 2 pieces</td> <td>5,30kg</td> </tr> </tbody> </table>	CODE	WEIGHT	<b>M130090</b> Structure 2 pieces
CODE	WEIGHT			
<b>M130090</b> Structure 2 pieces	5,30kg			

## MIX SYSTEM MODULES INDIRECT EMISSION

						
	<p>⊕ ⚡ IP20 ● grey</p> <table border="1"> <thead> <tr> <th>CODE</th> <th>LIGHT SOURCE</th> <th>WEIGHT</th> </tr> </thead> <tbody> <tr> <td><b>M133190</b></td> <td>TC-LEL (2G11) 2x55W</td> <td>6,50kg</td> </tr> </tbody> </table>	CODE	LIGHT SOURCE	WEIGHT	<b>M133190</b>	TC-LEL (2G11) 2x55W
CODE	LIGHT SOURCE	WEIGHT				
<b>M133190</b>	TC-LEL (2G11) 2x55W	6,50kg				

photometric data: see page 433.

## MIX SYSTEM MODULES DIRECT DIFFUSED EMISSION


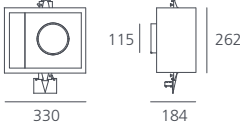



						
	<p>⊕ ⚡ IP20 ● grey</p> <table border="1"> <thead> <tr> <th>CODE</th> <th>LIGHT SOURCE</th> <th>WEIGHT</th> </tr> </thead> <tbody> <tr> <td><b>M133090</b></td> <td>TC-LEL (2G11) 2x55W</td> <td>7,30kg</td> </tr> </tbody> </table> <p>Sanded glass diffuser.</p>	CODE	LIGHT SOURCE	WEIGHT	<b>M133090</b>	TC-LEL (2G11) 2x55W
CODE	LIGHT SOURCE	WEIGHT				
<b>M133090</b>	TC-LEL (2G11) 2x55W	7,30kg				

photometric data: see page 433.








AL TAYER MOTORS, DUBAI (UAE), SIMON IRESON.  
PAGE 352: WHITE STAR ADVENTURE, MILAN (I), CARLA CELESTINO.


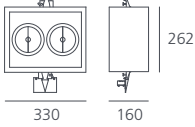



# MIX SYSTEM SPOTLIGHTING MODULES


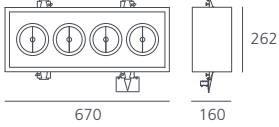



		  IP20  grey							
			<table border="1"> <thead> <tr> <th>CODE</th> <th>LIGHT SOURCE</th> <th>WEIGHT</th> </tr> </thead> <tbody> <tr> <td><b>M132290</b></td> <td>HIT-CE (G12) 1x70W ferromagnetic ballast</td> <td>7,00kg</td> </tr> <tr> <td><b>M132390</b></td> <td>HIT-CE (G12) 1x70W electronic ballast</td> <td>5,80kg</td> </tr> </tbody> </table>	CODE	LIGHT SOURCE	WEIGHT	<b>M132290</b>	HIT-CE (G12) 1x70W ferromagnetic ballast	7,00kg
CODE	LIGHT SOURCE	WEIGHT							
<b>M132290</b>	HIT-CE (G12) 1x70W ferromagnetic ballast	7,00kg							
<b>M132390</b>	HIT-CE (G12) 1x70W electronic ballast	5,80kg							

photometric data: see page 433.


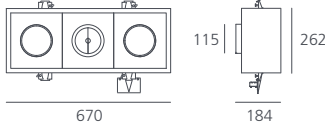





		  IP20  grey							
			<table border="1"> <thead> <tr> <th>CODE</th> <th>LIGHT SOURCE</th> <th>WEIGHT</th> </tr> </thead> <tbody> <tr> <td><b>M131490</b></td> <td>HIT-CE (G12) 2x70W ferromagnetic ballast</td> <td>10,80kg</td> </tr> <tr> <td><b>M131590</b></td> <td>HIT-CE (G12) 2x70W electronic ballast</td> <td>9,60kg</td> </tr> </tbody> </table>	CODE	LIGHT SOURCE	WEIGHT	<b>M131490</b>	HIT-CE (G12) 2x70W ferromagnetic ballast	10,80kg
CODE	LIGHT SOURCE	WEIGHT							
<b>M131490</b>	HIT-CE (G12) 2x70W ferromagnetic ballast	10,80kg							
<b>M131590</b>	HIT-CE (G12) 2x70W electronic ballast	9,60kg							

photometric data: see page 433.

		  IP20  grey				
			<table border="1"> <thead> <tr> <th>CODE</th> <th>LIGHT SOURCE</th> <th>WEIGHT</th> </tr> </thead> <tbody> <tr> <td><b>M132690</b></td> <td>QR111 (G53) 12V 2xmax50W</td> <td>4,70kg</td> </tr> </tbody> </table> <p>Integral electronic transformer. Dimmable by trailing edge external dimmers.</p>	CODE	LIGHT SOURCE	WEIGHT
CODE	LIGHT SOURCE	WEIGHT				
<b>M132690</b>	QR111 (G53) 12V 2xmax50W	4,70kg				



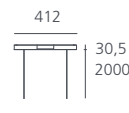
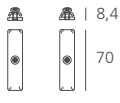
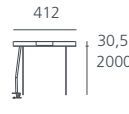
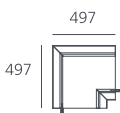

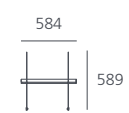
		  IP20  grey				
			<table border="1"> <thead> <tr> <th>CODE</th> <th>LIGHT SOURCE</th> <th>WEIGHT</th> </tr> </thead> <tbody> <tr> <td><b>M132790</b></td> <td>QR111 (G53) 12V 4xmax50W</td> <td>7,60kg</td> </tr> </tbody> </table> <p>Integral electronic transformer. Dimmable by trailing edge external dimmers.</p>	CODE	LIGHT SOURCE	WEIGHT
CODE	LIGHT SOURCE	WEIGHT				
<b>M132790</b>	QR111 (G53) 12V 4xmax50W	7,60kg				

## MIX SYSTEM SPOTLIGHTING MODULES

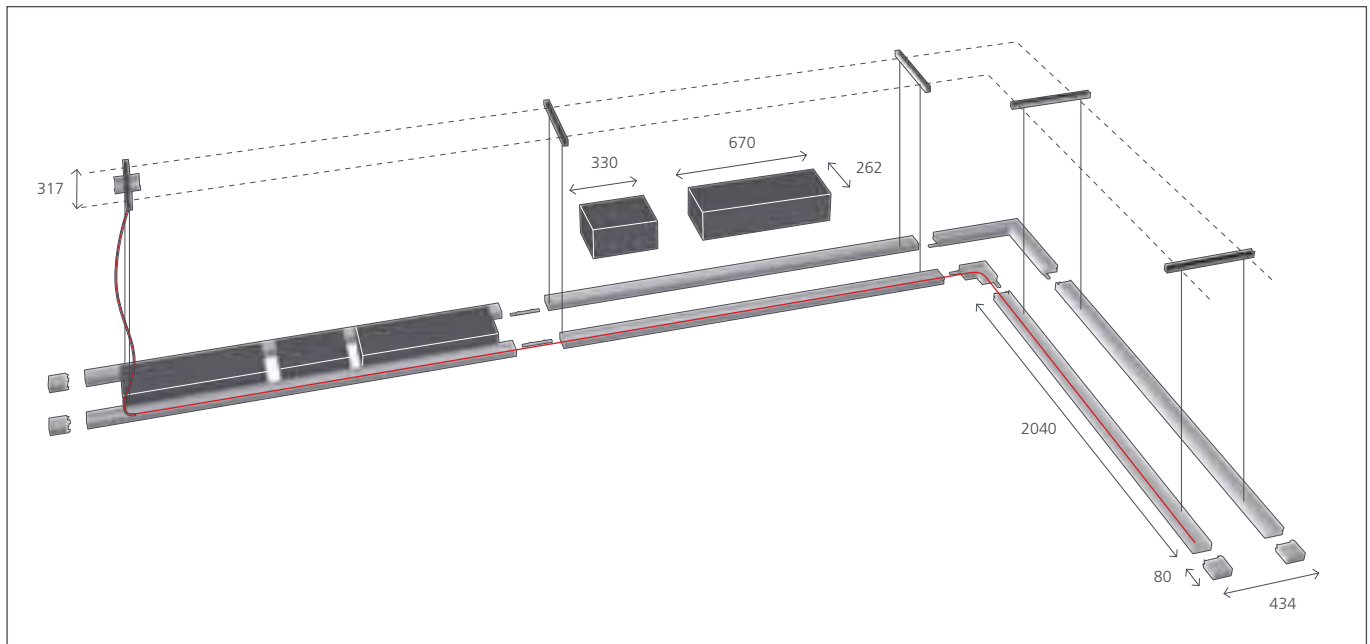
		  IP20  grey							
			<table border="1"> <thead> <tr> <th>CODE</th> <th>LIGHT SOURCE</th> <th>WEIGHT</th> </tr> </thead> <tbody> <tr> <td><b>M133390</b></td> <td>HIT-CE (G12) 1x70W ferromagnetic ballast + QR111 (G53) 12V 2xmax50W</td> <td>9,20kg</td> </tr> <tr> <td><b>M133290</b></td> <td>HIT-CE (G12) 1x70W electronic ballast + QR111 (G53) 12V 2xmax50W</td> <td>8,90kg</td> </tr> </tbody> </table>	CODE	LIGHT SOURCE	WEIGHT	<b>M133390</b>	HIT-CE (G12) 1x70W ferromagnetic ballast + QR111 (G53) 12V 2xmax50W	9,20kg
CODE	LIGHT SOURCE	WEIGHT							
<b>M133390</b>	HIT-CE (G12) 1x70W ferromagnetic ballast + QR111 (G53) 12V 2xmax50W	9,20kg							
<b>M133290</b>	HIT-CE (G12) 1x70W electronic ballast + QR111 (G53) 12V 2xmax50W	8,90kg							
HIT-CE (G12) QR111 (G53)	 	Halogen equipment with integral electronic transformer. Dimmable by trailing edge external dimmers.							

photometric data: see page 433.

## MIX SYSTEM COMPONENTS

	<b>M130490</b> Decorative end cap (set of 2). 80x85x40mm.   grey		<b>M130290</b> Suspension set with steel wires.
	<b>M130190</b> Linear connector (set of 2).  8,4 70		<b>M130390</b> Suspension set with power feed cable (5x1,5mm <sup>2</sup> ).
	<b>M130690</b> L-shaped connector. 2,30kg.   grey		<b>M130590</b> Suspension set for signal panels.

## MIX SYSTEM



# TWIST


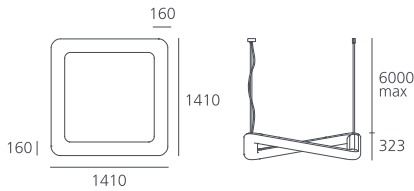


design DESIGN OFFICE

NEW



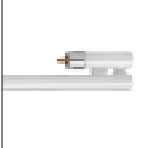
- WITH ITS UNUSUAL FLOWING DESIGN THAT GIVES THE ILLUSION THAT IT SHIFTS AND CHANGES SHAPE DEPENDING ON THE ANGLE OF VIEW, **TWIST** IS A PENDANT LIGHT USING T16-SEAMLESS FLUORESCENT TUBES.
- THE LUMINAIRE CONSISTS OF A ONE-PIECE ROTOMOULDED OPALINE DIFFUSER IN POLYETHYLENE AND BALLAST-HOLDER IN EXTRUDED ALUMINIUM.
- LAMP MAINTENANCE IS PARTICULARLY EASY: LAMPS ARE ACCESSED INDIVIDUALLY FROM ABOVE FOR EACH SIDE WITHOUT THE NEED TO REMOVE THE DIFFUSER.
- ELECTRONIC AND DIMMABLE ELECTRONIC CONTROL GEAR (DALI).
- QUICK ADJUSTMENT 6M LONG STEEL SUSPENSION CABLES.
- THANKS TO THE USE OF A SPECIFIC MECHANICAL CONNECTOR THAT CAN BE ATTACHED TO ONE OR MORE CORNERS OF THE LUMINAIRE, VARIOUS LIGHT SHAPES CAN BE CREATED: IN LINE, CLUSTERS OR IN A RANDOM PATTERN.
- LIGHT SOURCES TO BE ORDERED SEPARATELY.
- COMPLIES WITH STANDARD EN60598-1 AND OTHER SPECIFIC STANDARDS.

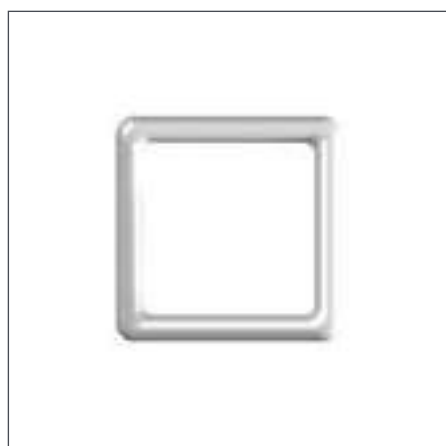
# TWIST

		 IP40/20 650°										
		T16-SLS (G5)		<table border="1"> <thead> <tr> <th>CODE</th> <th>LIGHT SOURCE</th> <th>WEIGHT</th> </tr> </thead> <tbody> <tr> <td><b>M240100</b></td> <td>T16-SLS 8x54W</td> <td>16,00kg</td> </tr> <tr> <td><b>M240101</b></td> <td>T16-SLS 8x28-54W dimmable DALI</td> <td>16,00kg</td> </tr> </tbody> </table>	CODE	LIGHT SOURCE	WEIGHT	<b>M240100</b>	T16-SLS 8x54W	16,00kg	<b>M240101</b>	T16-SLS 8x28-54W dimmable DALI
CODE	LIGHT SOURCE	WEIGHT										
<b>M240100</b>	T16-SLS 8x54W	16,00kg										
<b>M240101</b>	T16-SLS 8x28-54W dimmable DALI	16,00kg										

photometric data: see page 435.

## TWIST LIGHT SOURCES

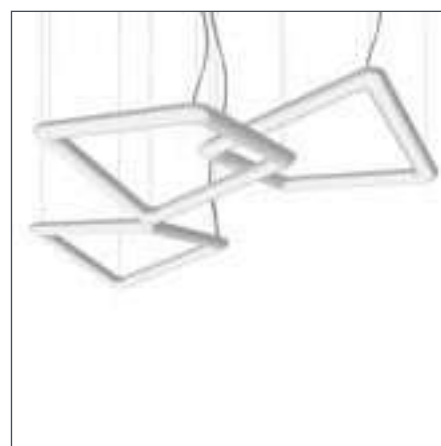
	Fluorescent tube T16-SEAMLESS (G5) (1 piece).							
	<table> <tr> <td><b>M004800</b></td> <td>54W (3000K).</td> </tr> <tr> <td><b>M004805</b></td> <td>54W (4000K).</td> </tr> <tr> <td><b>M004810</b></td> <td>28W (3000K).</td> </tr> <tr> <td><b>M004815</b></td> <td>28W (4000K).</td> </tr> </table>	<b>M004800</b>	54W (3000K).	<b>M004805</b>	54W (4000K).	<b>M004810</b>	28W (3000K).	<b>M004815</b>
<b>M004800</b>	54W (3000K).							
<b>M004805</b>	54W (4000K).							
<b>M004810</b>	28W (3000K).							
<b>M004815</b>	28W (4000K).							



TWIST VIEW FROM BELOW



TWIST SIDE VIEW



TWIST EXAMPLE OF INSTALLATION IN CLUSTER

# ABSOLU

design DESIGN OFFICE





- SINGLE PENDANT LUMINAIRE WITH DIFFUSED LIGHTING USING 54W T16-SEAMLESS FLUORESCENT LAMPS.
- 2 LENGTH OPTIONS: 2400MM (2x54W) AND 4800MM (4x54W).
- CONTINUOUS SOLID DIFFUSER IN OPALINE POLYCARBONATE.
- STRUCTURE MADE FROM EXTRUDED ALUMINIUM.
- T16-SEAMLESS EQUIPMENT PERFORMS A UNIFORM LIGHT EMISSION WITHOUT SHADOWS.
- A SIMPLE LOCKING/UNLOCKING SYSTEM WITH SMART HINGE ALLOWS FOR AN EASY LAMP MAINTENANCE.
- ELECTRONIC BALLAST OR DALI-SWITCHDIM DIMMABLE MULTIWATT ELECTRONIC BALLAST.
- LUMINAIRE COMES COMPLETE WITH 6M LONG QUICK-ADJUSTMENT STEEL SUSPENSION CABLES, CEILING PLATE AND POWER CABLE.
- COMPLIES WITH STANDARD EN60598-1 AND OTHER SPECIFIC STANDARDS.


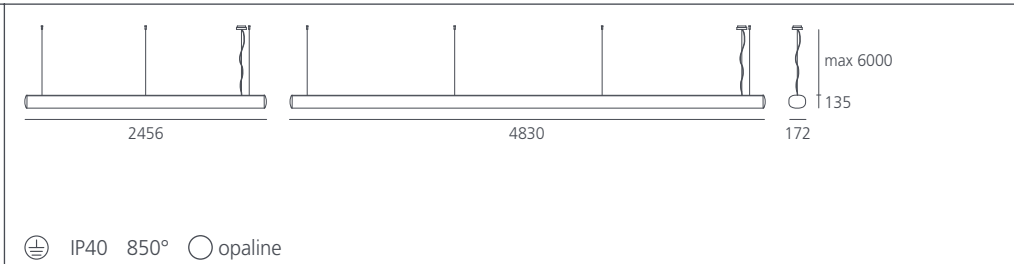










## ABSOLU

	 <p>⊕ IP40 850° ○ opaline</p>																				
<p>T16-SEAMLESS (G5) </p>	<table border="1"> <thead> <tr> <th>CODE</th> <th>LIGHT SOURCE</th> <th>LENGTH</th> <th>WEIGHT</th> </tr> </thead> <tbody> <tr> <td><b>M113300</b></td> <td>T16-SEAMLESS (G5) 2x54W non dimmable</td> <td>2456mm</td> <td>9,50kg</td> </tr> <tr> <td><b>M113301</b></td> <td>T16-SEAMLESS (G5) 2x28-54W dimmable DALI</td> <td>2456mm</td> <td>9,50kg</td> </tr> <tr> <td><b>M113400</b></td> <td>T16-SEAMLESS (G5) 4x54W non dimmable</td> <td>4830mm</td> <td>18,50kg</td> </tr> <tr> <td><b>M113401</b></td> <td>T16-SEAMLESS (G5) 4x28-54W dimmable DALI</td> <td>4830mm</td> <td>18,50kg</td> </tr> </tbody> </table>	CODE	LIGHT SOURCE	LENGTH	WEIGHT	<b>M113300</b>	T16-SEAMLESS (G5) 2x54W non dimmable	2456mm	9,50kg	<b>M113301</b>	T16-SEAMLESS (G5) 2x28-54W dimmable DALI	2456mm	9,50kg	<b>M113400</b>	T16-SEAMLESS (G5) 4x54W non dimmable	4830mm	18,50kg	<b>M113401</b>	T16-SEAMLESS (G5) 4x28-54W dimmable DALI	4830mm	18,50kg
CODE	LIGHT SOURCE	LENGTH	WEIGHT																		
<b>M113300</b>	T16-SEAMLESS (G5) 2x54W non dimmable	2456mm	9,50kg																		
<b>M113301</b>	T16-SEAMLESS (G5) 2x28-54W dimmable DALI	2456mm	9,50kg																		
<b>M113400</b>	T16-SEAMLESS (G5) 4x54W non dimmable	4830mm	18,50kg																		
<b>M113401</b>	T16-SEAMLESS (G5) 4x28-54W dimmable DALI	4830mm	18,50kg																		

photometric data: see page 431.

## ABSOLU LIGHT SOURCES

	<p>Fluorescent tube T16-SEAMLESS (G5) (1 piece).</p> <p><b>M004800</b> 54W (3000K). <b>M004805</b> 54W (4000K).</p>
---	---

# MOUETTE - MOUETTE MINI

design WILMOTTE & INDUSTRIES

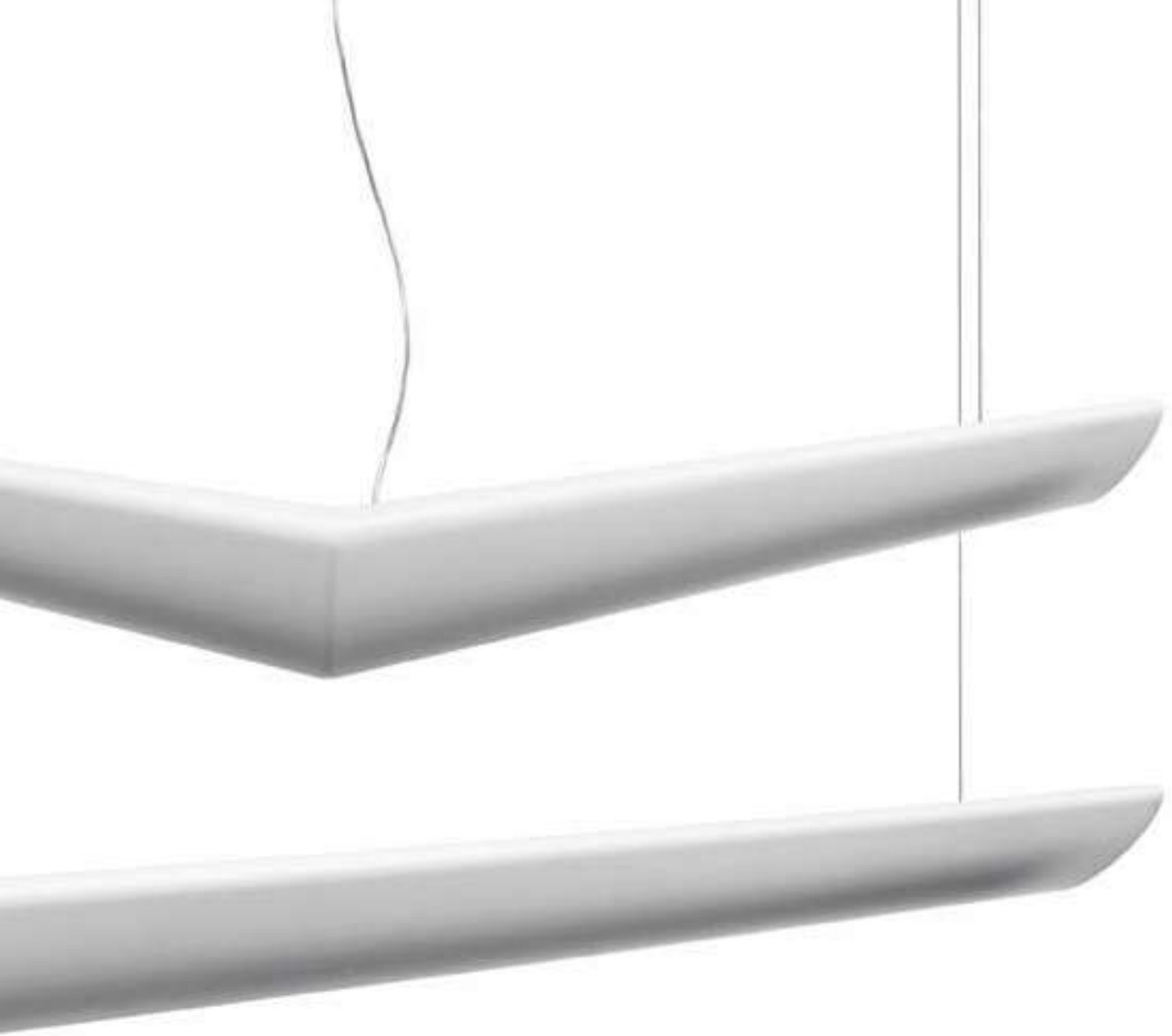




# MOUETTE



- SINGLE PENDANT WITH DIFFUSED LIGHTING USING 24W AND 54W T16 FLUORESCENT LAMPS.
- SOLID OPALINE DIFFUSER IN MOULDED POLYPROPYLENE, AVAILABLE IN 2 VERSIONS: SYMMETRICAL OR ASYMMETRICAL.
- LIGHT OUTPUT RATIO: 55%.
- LIGHT DISTRIBUTION: 74% DIRECT AND 26% INDIRECT.
- ELECTRONIC OR DSI DIMMABLE ELECTRONIC BALLAST.
- THE UPPER PART HAS AN OPENING FOR EASY INSTALLATION AND MAINTAINANCE.
- LUMINAIRE COMES COMPLETE WITH 2M OR 6M LONG QUICK-ADJUSTMENT STEEL SUSPENSION CABLES, CEILING PLATE AND POWER CABLE.
- T16 LIGHT SOURCES INCLUDED (3000K).
- COMPLIES WITH STANDARD EN60598-1 AND OTHER SPECIFIC STANDARDS.




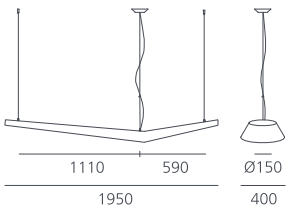


SALA CONSILIARE COMUNE DI SEGRATE, SEGRATE (I), EDOARDO ZANABONI.  
PAGE 364-365: RAMADA HOTEL, MILAN (I), LAURA FRANCHI.



SAN FRANCISCO INT'L AIRPORT-TERMINAL 2, SAN FRANCISCO (USA), GENSLER.


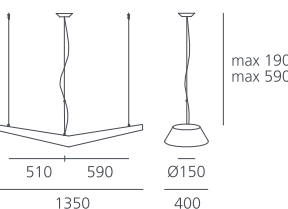




## MOUETTE ASYMMETRICAL

		max 1900 / max 5900	IP40/20 650°   white opaline																				
				T16 (G5)																			
	<table border="1"> <thead> <tr> <th>CODE</th> <th>LIGHT SOURCE</th> <th>HEIGHT</th> <th>WEIGHT</th> </tr> </thead> <tbody> <tr> <td><b>L860410</b></td> <td>T16 (G5) 2x24W + 2x54W non dimmable</td> <td>max.1900mm</td> <td>6,80kg</td> </tr> <tr> <td><b>L860450</b></td> <td>T16 (G5) 2x24W + 2x54W non dimmable</td> <td>max. 5900mm</td> <td>6,90kg</td> </tr> <tr> <td><b>L860510</b></td> <td>T16 (G5) 2x24W + 2x54W dimmable DSI</td> <td>max.1900mm</td> <td>6,80kg</td> </tr> <tr> <td><b>L860550</b></td> <td>T16 (G5) 2x24W + 2x54W dimmable DSI</td> <td>max. 5900mm</td> <td>6,90kg</td> </tr> </tbody> </table>	CODE	LIGHT SOURCE	HEIGHT	WEIGHT	<b>L860410</b>	T16 (G5) 2x24W + 2x54W non dimmable	max.1900mm	6,80kg	<b>L860450</b>	T16 (G5) 2x24W + 2x54W non dimmable	max. 5900mm	6,90kg	<b>L860510</b>	T16 (G5) 2x24W + 2x54W dimmable DSI	max.1900mm	6,80kg	<b>L860550</b>	T16 (G5) 2x24W + 2x54W dimmable DSI	max. 5900mm	6,90kg		
CODE	LIGHT SOURCE	HEIGHT	WEIGHT																				
<b>L860410</b>	T16 (G5) 2x24W + 2x54W non dimmable	max.1900mm	6,80kg																				
<b>L860450</b>	T16 (G5) 2x24W + 2x54W non dimmable	max. 5900mm	6,90kg																				
<b>L860510</b>	T16 (G5) 2x24W + 2x54W dimmable DSI	max.1900mm	6,80kg																				
<b>L860550</b>	T16 (G5) 2x24W + 2x54W dimmable DSI	max. 5900mm	6,90kg																				
	Light sources (3000K) included.																						

photometric data: see page 433.

## MOUETTE SYMMETRICAL

		max 1900/ max 5900	IP40/20 650°   white opaline																				
				T16 (G5)																			
	<table border="1"> <thead> <tr> <th>CODE</th> <th>LIGHT SOURCE</th> <th>HEIGHT</th> <th>WEIGHT</th> </tr> </thead> <tbody> <tr> <td><b>L860610</b></td> <td>T16 (G5) 4x24W non dimmable</td> <td>max.1900mm</td> <td>5,40kg</td> </tr> <tr> <td><b>L860650</b></td> <td>T16 (G5) 4x24W non dimmable</td> <td>max. 5900mm</td> <td>5,50kg</td> </tr> <tr> <td><b>L860710</b></td> <td>T16 (G5) 4x24W dimmable DSI</td> <td>max.1900mm</td> <td>5,40kg</td> </tr> <tr> <td><b>L860750</b></td> <td>T16 (G5) 4x24W dimmable DSI</td> <td>max. 5900mm</td> <td>5,50kg</td> </tr> </tbody> </table>	CODE	LIGHT SOURCE	HEIGHT	WEIGHT	<b>L860610</b>	T16 (G5) 4x24W non dimmable	max.1900mm	5,40kg	<b>L860650</b>	T16 (G5) 4x24W non dimmable	max. 5900mm	5,50kg	<b>L860710</b>	T16 (G5) 4x24W dimmable DSI	max.1900mm	5,40kg	<b>L860750</b>	T16 (G5) 4x24W dimmable DSI	max. 5900mm	5,50kg		
CODE	LIGHT SOURCE	HEIGHT	WEIGHT																				
<b>L860610</b>	T16 (G5) 4x24W non dimmable	max.1900mm	5,40kg																				
<b>L860650</b>	T16 (G5) 4x24W non dimmable	max. 5900mm	5,50kg																				
<b>L860710</b>	T16 (G5) 4x24W dimmable DSI	max.1900mm	5,40kg																				
<b>L860750</b>	T16 (G5) 4x24W dimmable DSI	max. 5900mm	5,50kg																				
	Light sources (3000K) included.																						

photometric data: see page 434.



WHITE STAR ADVENTURE, MILAN (I), CARLA CELESTINO.  
PAGE 368: DISCOVERY CHANNEL, MILAN (I).



FECO FORUM, KARLSRUHE (D), LEDERER, RAGNARSDÓTTIR, OIE.


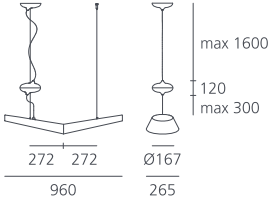






# MOUETTE MINI

NEW



- SINGLE PENDANT WITH DIFFUSED LIGHTING USING 2x36W COMPACT FLUORESCENT LAMPS.
- SOLID OPALINE DIFFUSER IN MOULDED POLYPROPYLENE.
- LIGHT OUTPUT RATIO: 74%.
- LIGHT DISTRIBUTION: 74% DIRECT AND 26% INDIRECT.
- ELECTRONIC BALLAST LOCATED IN A SPECIFIC POWER-SUPPLY HOLDER IN INJECTION MOULDED THERMOPLASTIC MATERIAL.
- THE UPPER PART HAS AN OPENING FOR EASY INSTALLATION AND MAINTAINANCE.
- LUMINAIRE COMES COMPLETE WITH 2M LONG QUICK-ADJUSTMENT STEEL SUSPENSION CABLES.
- LIGHT SOURCES INCLUDED (3000K).
- COMPLIES WITH STANDARD EN60598-1 AND OTHER SPECIFIC STANDARDS.

# MOUETTE MINI

	 <p>      white opaline         </p>									
<p>TC-LEL (2G11) </p>	<table border="1"> <thead> <tr> <th>CODE</th> <th>LIGHT SOURCE</th> <th>WEIGHT</th> </tr> </thead> <tbody> <tr> <td><b>L860810</b></td> <td>TC-LEL (2G11) 2x36W non dimmable</td> <td>3,50kg</td> </tr> <tr> <td colspan="3">Light sources (3000K) included.</td> </tr> </tbody> </table>	CODE	LIGHT SOURCE	WEIGHT	<b>L860810</b>	TC-LEL (2G11) 2x36W non dimmable	3,50kg	Light sources (3000K) included.		
CODE	LIGHT SOURCE	WEIGHT								
<b>L860810</b>	TC-LEL (2G11) 2x36W non dimmable	3,50kg								
Light sources (3000K) included.										

photometric data: see page 434.

# KAO

design BRUNO HOUSSIN





MEN

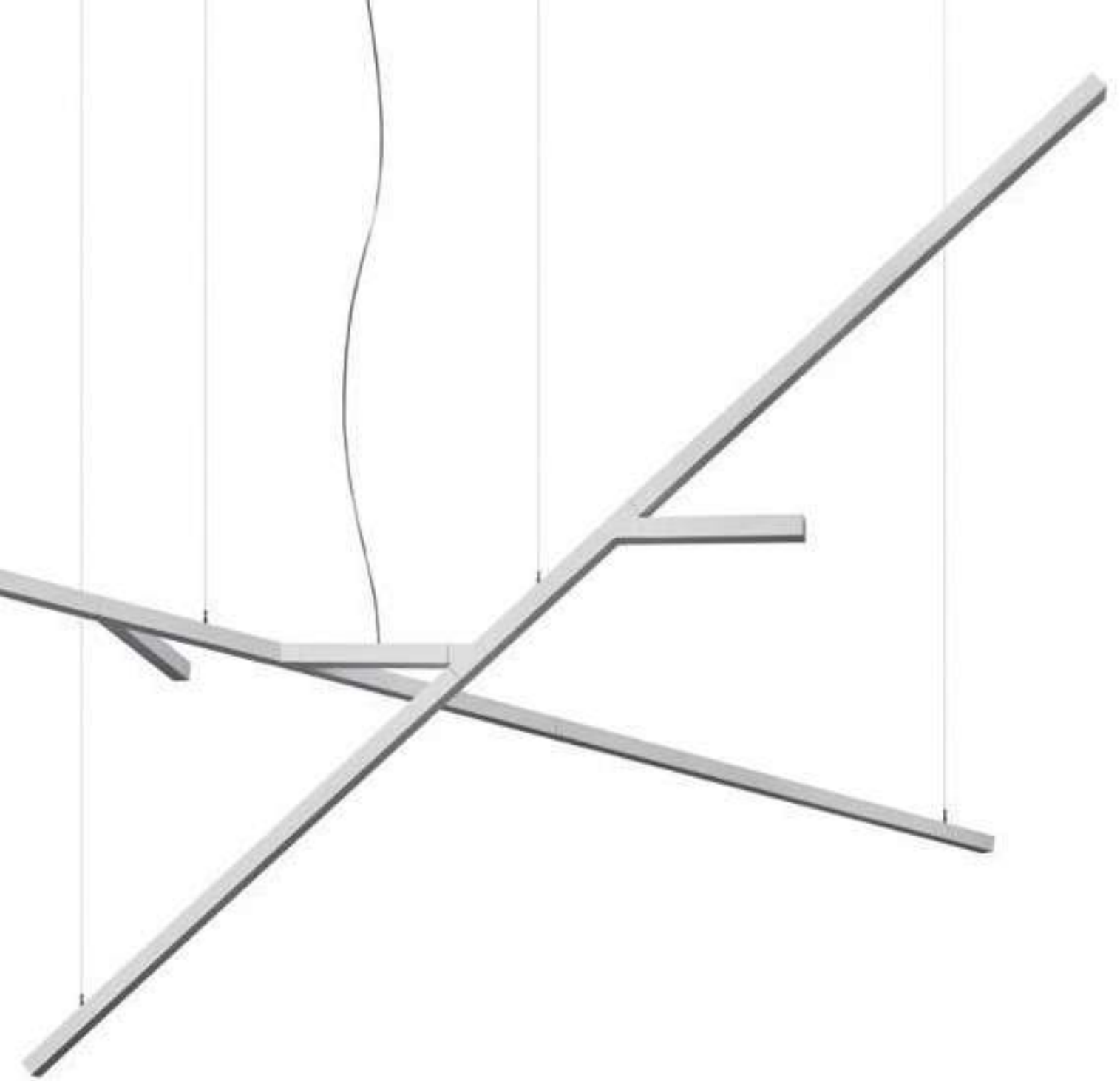
# KAO SUSPENSION

- SERIES OF SUSPENDED LIGHTING STRUCTURES WITH INDIRECT LIGHTING USING 24W AND 54W T16 FLUORESCENT LAMPS, INTENDED FOR THE ILLUMINATION OF SPACES SUCH AS ENTRANCE HALLS, RECEPTION AREAS, CORRIDORS, MEETING ROOMS, ETC.
- 4 STANDARD VERSIONS.
- LUMINAIRES ARE MADE FROM ALUMINIUM WITH WHITE PAINT FINISH.
- 40x40MM SQUARE SECTION MODULES.
- EACH STRUCTURE IS COMPOSED OF PRE-ASSEMBLED AND PRE-WIRED SUB-UNITS.
- ELECTRICAL CONNECTION IS MADE VIA QUICK CONNECTORS.
- ELECTRONIC CONTROL GEAR.
- 6M LONG STEEL SUSPENSION CABLE.
- DUST PROTECTION SCREEN IN TRANSPARENT POLYCARBONATE.
- THE KITS ARE DELIVERED WITH A DRILLING STENCIL FOR PLACING THE CEILING FIXING POINTS.
- COMPLIES WITH STANDARD EN60598-1 AND OTHER SPECIFIC STANDARDS.



METROPOLITAN EXPO, ATHENS (GR), STAGE DESIGN OFFICE.





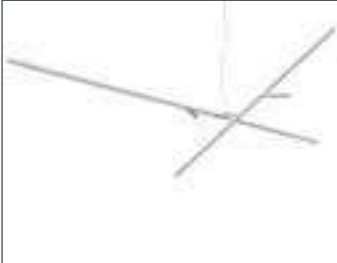
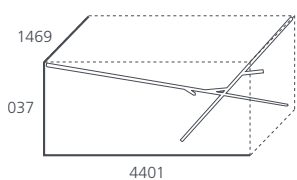




COLUMBIA UNIVERSITY, NORTHWEST SCIENCES BUILDING, NEW-YORK (US),  
MONEO BROCK STUDIO



ROMA URBE AIRPORT-PASSENGER TERMINAL, ROME (I), ONE WORKS.


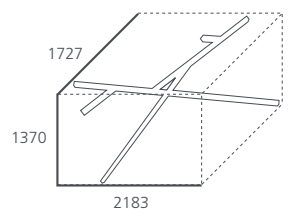






## KAO SUSPENSION KIT A

		  IP20 850°  white						
		T16 (G5)		<table border="1"> <thead> <tr> <th>CODE</th> <th>LIGHT SOURCE</th> <th>WEIGHT</th> </tr> </thead> <tbody> <tr> <td><b>M119120</b></td> <td>T16 (G5) 2x24W + 2x54W</td> <td>12,50kg</td> </tr> </tbody> </table>	CODE	LIGHT SOURCE	WEIGHT	<b>M119120</b>
CODE	LIGHT SOURCE	WEIGHT						
<b>M119120</b>	T16 (G5) 2x24W + 2x54W	12,50kg						

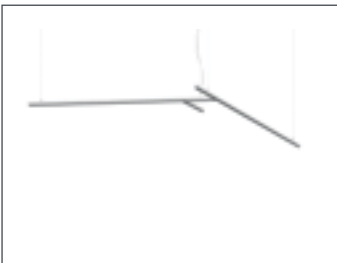
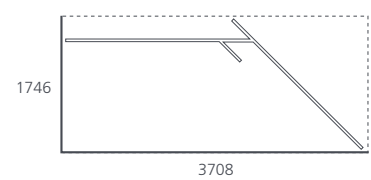




photometric data: see page 433.

## KAO SUSPENSION KIT B

		  IP20 850°  white						
		T16 (G5)		<table border="1"> <thead> <tr> <th>CODE</th> <th>LIGHT SOURCE</th> <th>WEIGHT</th> </tr> </thead> <tbody> <tr> <td><b>M119220</b></td> <td>T16 (G5) 1x24W + 1x54W</td> <td>10,70kg</td> </tr> </tbody> </table>	CODE	LIGHT SOURCE	WEIGHT	<b>M119220</b>
CODE	LIGHT SOURCE	WEIGHT						
<b>M119220</b>	T16 (G5) 1x24W + 1x54W	10,70kg						

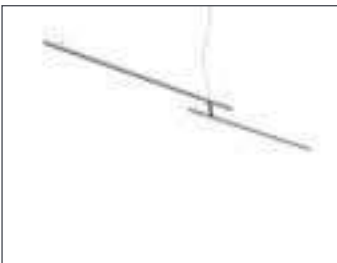





photometric data: see page 433.

## KAO SUSPENSION KIT C

		  IP20 850°  white						
		T16 (G5)		<table border="1"> <thead> <tr> <th>CODE</th> <th>LIGHT SOURCE</th> <th>WEIGHT</th> </tr> </thead> <tbody> <tr> <td><b>M119320</b></td> <td>T16 (G5) 2x54W</td> <td>8,80kg</td> </tr> </tbody> </table>	CODE	LIGHT SOURCE	WEIGHT	<b>M119320</b>
CODE	LIGHT SOURCE	WEIGHT						
<b>M119320</b>	T16 (G5) 2x54W	8,80kg						

photometric data: see page 433.

## KAO SUSPENSION KIT D

		  IP20 850°  white						
		T16 (G5)		<table border="1"> <thead> <tr> <th>CODE</th> <th>LIGHT SOURCE</th> <th>WEIGHT</th> </tr> </thead> <tbody> <tr> <td><b>M119420</b></td> <td>T16 (G5) 2x54W</td> <td>8,80kg</td> </tr> </tbody> </table>	CODE	LIGHT SOURCE	WEIGHT	<b>M119420</b>
CODE	LIGHT SOURCE	WEIGHT						
<b>M119420</b>	T16 (G5) 2x54W	8,80kg						

photometric data: see page 433.

# KAO WALL/CEILING


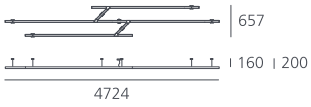







- SERIES OF WALL- OR CEILING-MOUNTED LIGHTING STRUCTURES WITH INDIRECT LIGHTING USING 24W AND 54W T16 FLUORESCENT LAMPS, INTENDED FOR THE ILLUMINATION OF SPACES SUCH AS ENTRANCE HALLS, RECEPTION AREAS, CORRIDORS, MEETING ROOMS, ETC.
- 3 STANDARD VERSIONS.
- LUMINAIRES ARE MADE FROM ALUMINUM WITH WHITE PAINT FINISH.
- 40x40MM SQUARE SECTION MODULES.
- DISTANCE TO WALL OR CEILING: 160MM.
- EACH STRUCTURE IS COMPOSED OF PRE-ASSEMBLED AND PRE-WIRED SUB-UNITS.
- ELECTRICAL CONNECTION IS MADE VIA QUICK CONNECTORS.
- ELECTRONIC CONTROL GEAR.
- DUST PROTECTION SCREEN IN TRANSPARENT POLYCARBONATE.
- THE KITS ARE DELIVERED WITH A DRILLING STENCIL FOR PLACING THE FIXING POINTS.
- COMPLIES WITH STANDARD EN60598-1 AND OTHER SPECIFIC STANDARDS.






## KAO WALL/CEILING KIT E

		  IP20 850°  white							
		<table border="1"> <thead> <tr> <th>T16 (G5)</th> <th>CODE</th> <th>LIGHT SOURCE</th> <th>WEIGHT</th> </tr> </thead> <tbody> <tr> <td></td> <td><b>M113020</b></td> <td>T16 (G5) 4x54W</td> <td>16,00kg</td> </tr> </tbody> </table>	T16 (G5)	CODE	LIGHT SOURCE	WEIGHT		<b>M113020</b>	T16 (G5) 4x54W
T16 (G5)	CODE	LIGHT SOURCE	WEIGHT						
	<b>M113020</b>	T16 (G5) 4x54W	16,00kg						

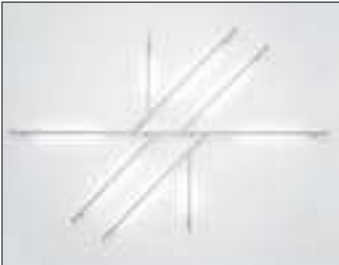
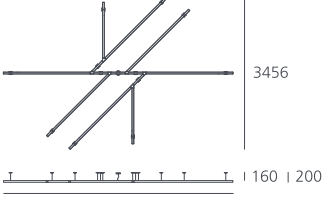



photometric data: see page 428 and 438.

## KAO WALL/CEILING KIT F

		  IP20 850°  white							
		<table border="1"> <thead> <tr> <th>T16 (G5)</th> <th>CODE</th> <th>LIGHT SOURCE</th> <th>WEIGHT</th> </tr> </thead> <tbody> <tr> <td></td> <td><b>M113120</b></td> <td>T16 (G5) 3x54W + 2x24W</td> <td>16,00kg</td> </tr> </tbody> </table>	T16 (G5)	CODE	LIGHT SOURCE	WEIGHT		<b>M113120</b>	T16 (G5) 3x54W + 2x24W
T16 (G5)	CODE	LIGHT SOURCE	WEIGHT						
	<b>M113120</b>	T16 (G5) 3x54W + 2x24W	16,00kg						

photometric data: see page 428 and 438.

## KAO WALL/CEILING KIT G

		  IP20 850°  white							
		<table border="1"> <thead> <tr> <th>T16 (G5)</th> <th>CODE</th> <th>LIGHT SOURCE</th> <th>WEIGHT</th> </tr> </thead> <tbody> <tr> <td></td> <td><b>M113220</b></td> <td>T16 (G5) 6x54W + 2x24W</td> <td>25,70kg</td> </tr> </tbody> </table>	T16 (G5)	CODE	LIGHT SOURCE	WEIGHT		<b>M113220</b>	T16 (G5) 6x54W + 2x24W
T16 (G5)	CODE	LIGHT SOURCE	WEIGHT						
	<b>M113220</b>	T16 (G5) 6x54W + 2x24W	25,70kg						

photometric data: see page 428 and 438.



ABOVE AND PAGE 380: HEENAN BLAIKIE, CALGARY (CA), B+H ARCHITECTS.


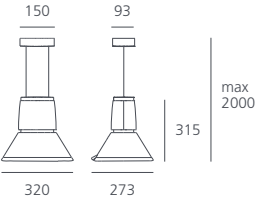






# ELIO

design MICHEL TORTEL



- SINGLE PENDANT WITH DIRECT LIGHTING, USING 70W AND 150W METAL-HALIDE OR 300W HALOGEN LAMPS.
- DIE-CAST ALUMINIUM BODY WITH GREY PAINT FINISH.
- 2 SIZE OPTIONS: THE 315MM VERSION INTEGRATES THE OPTICAL UNIT AND THE POWER SUPPLY UNIT, WHILST THE 180MM VERSION COMPRISES ONLY THE OPTICAL UNIT.
- PROTECTIVE GLASS.
- FERROMAGNETIC CONTROL GEAR.
- OPTIONAL LOUVRE GRID.
- COMPLIES WITH STANDARD EN60598-1 AND OTHER SPECIFIC STANDARDS.

## ELIO 315

	 <p>   IP20               grey         </p>												
HIT-DE-CE-h45 (RX7s)  QT-DE12 (R7s) 	<table border="1"> <thead> <tr> <th>CODE</th> <th>LIGHT SOURCE</th> <th>WEIGHT</th> </tr> </thead> <tbody> <tr> <td><b>L853000</b></td> <td>HIT-DE-CE-h45 (RX7s) 1x70W</td> <td>5,40kg</td> </tr> <tr> <td><b>L853100</b></td> <td>HIT-DE-CE-h45 (RX7s) 1x150W</td> <td>5,85kg</td> </tr> <tr> <td><b>L853200</b></td> <td>QT-DE12 (R7s) 1x300W</td> <td>4,45kg</td> </tr> </tbody> </table>	CODE	LIGHT SOURCE	WEIGHT	<b>L853000</b>	HIT-DE-CE-h45 (RX7s) 1x70W	5,40kg	<b>L853100</b>	HIT-DE-CE-h45 (RX7s) 1x150W	5,85kg	<b>L853200</b>	QT-DE12 (R7s) 1x300W	4,45kg
CODE	LIGHT SOURCE	WEIGHT											
<b>L853000</b>	HIT-DE-CE-h45 (RX7s) 1x70W	5,40kg											
<b>L853100</b>	HIT-DE-CE-h45 (RX7s) 1x150W	5,85kg											
<b>L853200</b>	QT-DE12 (R7s) 1x300W	4,45kg											


photometric data: see page 432.

## ELIO 180

	 <p>   IP20               grey         </p>						
QT-DE12 (R7s) 	<table border="1"> <thead> <tr> <th>CODE</th> <th>LIGHT SOURCE</th> <th>WEIGHT</th> </tr> </thead> <tbody> <tr> <td><b>L854000</b></td> <td>QT-DE12 (R7s) 1x300W</td> <td>3,25kg</td> </tr> </tbody> </table>	CODE	LIGHT SOURCE	WEIGHT	<b>L854000</b>	QT-DE12 (R7s) 1x300W	3,25kg
CODE	LIGHT SOURCE	WEIGHT					
<b>L854000</b>	QT-DE12 (R7s) 1x300W	3,25kg					

photometric data: see page 432.

## ELIO ACCESSORY

	<p><b>L858330</b> Honeycomb grid.</p>
---	---------------------------------------



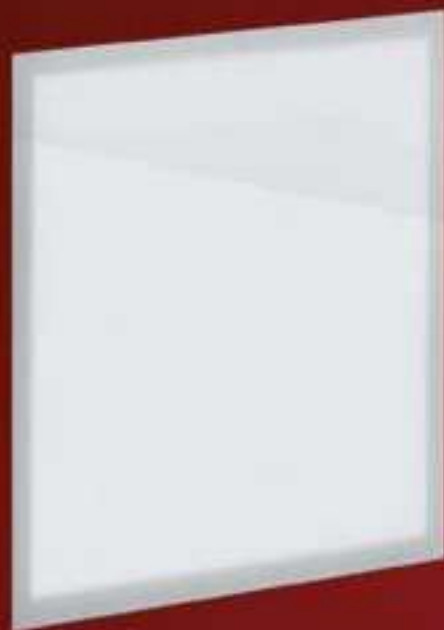
BIBLIOTECA CASA DELLA CONOSCENZA, CASALECCHIO DI RENO (I), MODELLI.



HQ'S TOYOTA MOTORS ITALIA, ROME (I), SHIGERU IWAKIRI - KENZO TANGE ASSOCIATES.

# COVER

design FORMAT DESIGN STUDIO





# COVER

- A RANGE OF WALL RECESSED LUMINAIRES USING COMPACT AND LINEAR FLUORESCENT LAMPS, AND LEDS.
- TWO LIGHTING OPTIONS: DIFFUSER AND ASYMMETRICAL EMISSION OPTICS WITH VERTICAL OR HORIZONTAL MOUNTING.
- 5 SIZE OPTIONS DEPENDING ON THE LIGHT SOURCE: 100x100, 100x250, 250x250, 100x600 AND 100x1200MM.
- BODY CONSISTING OF A STEEL RECESSING CASING (60MM DEEP) AND AN EXTRUDED ALUMINIUM FRAME THAT REQUIRES A FINISH COAT OF PLASTER.
- 4MM THICK TEMPERED GLASS: OPALINE FINISH WITH DIFFUSER VERSION, SILKSCREEN-PRINTED WITH ASYMMETRICAL VERSION.
- LAMPS CAN BE MAINTAINED BY REMOVING THE GLASS BY MEANS OF A SUCTION-GRIP DEVICE PROVIDED WITH THE LUMINAIRE.
- NOT SUITABLE FOR CEILING MOUNTING.
- ELECTRONIC CONTROL GEAR.
- OPTIONAL RECESSING BOX FOR INSTALLATION IN CONCRETE WALLS.
- COMPLIES WITH STANDARD EN60598-1 AND OTHER SPECIFIC STANDARDS.



reddot design award  
winner 2010



100x100  
ASYMMETRIC



250x250  
ASYMMETRIC



100x600  
ASYMMETRIC  
VERTICAL



100x100  
DIFFUSER



100x250  
DIFFUSER



250x250  
DIFFUSER



100x600  
DIFFUSER



100x1200  
DIFFUSER


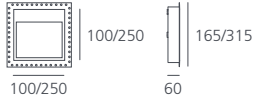




100x600  
ASYMMETRICAL  
HORIZONTAL




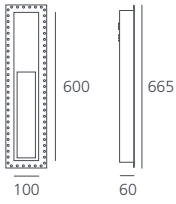


100x1200  
ASYMMETRICAL  
HORIZONTAL

## COVER ASYMMETRICAL SQUARE

			
		TC-LEL (2G11) LED	
		<b>M185500</b> LED 3W COOL WHITE 5000K      100x100mm      133x133mm      1,30kg	
		<b>M185600</b> TC-LEL (2G11) 1x18W      250x250mm      283x283mm      2,90kg	


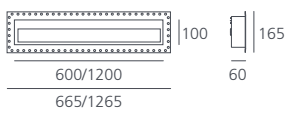


photometric data: see page 436.

## COVER ASYMMETRICAL VERTICAL

			
		LED	
		<b>M186600</b> LED 3W COOL WHITE 5000K      100x600mm      133x633mm      3,20kg	


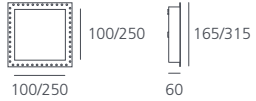
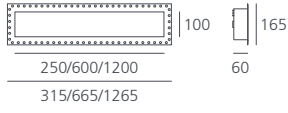





photometric data: see page 436.

## COVER ASYMMETRICAL HORIZONTAL

			
		T16 (G5)	
		<b>M185900</b> T16 (G5) 1x24W      100x600mm      133x633mm      3,20kg	
		<b>M186000</b> T16 (G5) 1x54W      100x1200mm      133x1233mm      5,70kg	

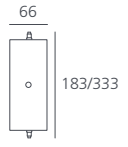





photometric data: see page 436.

## COVER DIFFUSER

					
					
TC-LEL (2G11)  T16 (G5)  LED 	<b>CODE</b>	<b>LIGHT SOURCE</b>	<b>DIMENSIONS</b>		<b>WEIGHT</b>
	<b>M185000</b>	LED 3W COOL WHITE 5000K	100x100mm	133x133mm	1,10kg
	<b>M185100</b>	TC-LEL (2G11) 1x18W	100x250mm	133x283mm	1,70kg
	<b>M185200</b>	TC-LEL (2G11) 2x18W	250x250mm	283x283mm	2,50kg
	<b>M185300</b>	T16 (G5) 1x24W	100x600mm	133x633mm	2,60kg
	<b>M185400</b>	T16 (G5) 1x54W	100x1200mm	133x1233mm	4,70kg

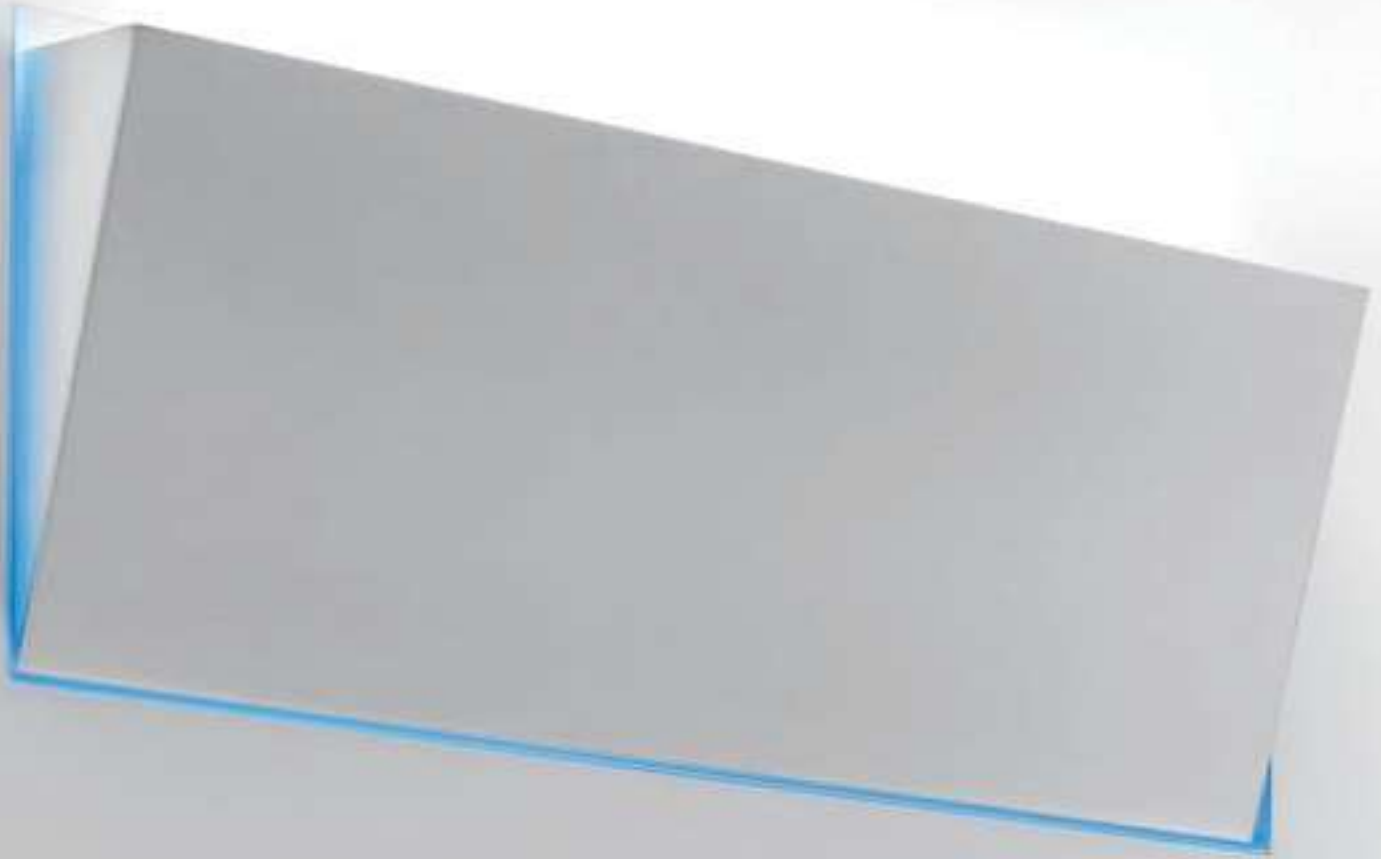
photometric data: see page 436.

## COVER ACCESSORIES

	Recessing box for concrete walls.
	<p><b>M186100</b> For COVER 100x100mm.  183x183mm.</p> <p><b>M186500</b> For COVER 250x250mm.  333x333mm.</p> <p><b>M186200</b> For COVER 100x250mm.  183x333mm.</p> <p><b>M186300</b> For COVER 100x600mm.  183x683mm.</p> <p><b>M186400</b> For COVER 100x1200mm.  183x1283mm.</p>

# NULLA


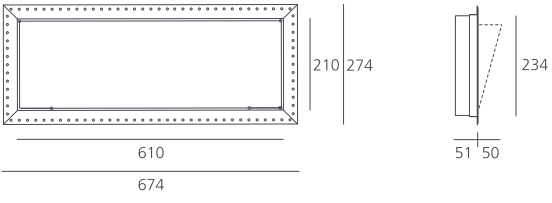


design FORMAT DESIGN STUDIO




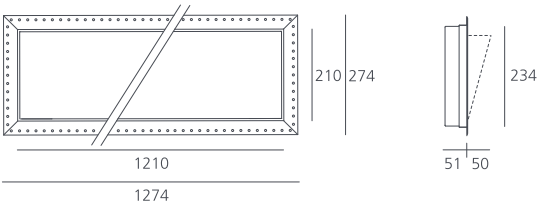
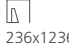

- RECESSED UNIT WITH INDIRECT LIGHTING WITH T16 FLUORESCENT LIGHT SOURCE, AND PATHLIGHTING WITH COLORED LEDS.
- BODY CONSISTING OF A LOW-DEPTH RECESSING CASING (ONLY 50MM DEEP) TO BE SEALED IN THE WALL, AND A MOTORIZED OPENING SHUTTER.
- RECESSING CASING MADE OF STEEL AND FITTED WITH AN EXTRUDED ALUMINUM FRAME THAT REQUIRES A FINISH COAT OF PLASTER.
- 2 SIZE OPTIONS DEPENDING ON THE LIGHT SOURCE: 210x610MM (24W T16), AND 210x1210MM (54W T16).
- WHEN THE FLUORESCENT LAMP IS TURNED ON, THE SHUTTER IS AUTOMATICALLY IN OPEN POSITION, THE INDIRECT LIGHTING IS THEN IN SERVICE. THE TURNING OFF OF THE FLUORESCENT BULB AND THE CLOSING OF THE SHUTTER ARE SIMULTANEOUS.
- THE LEDS, POWERED BY A SEPARATE SWITCH CIRCUIT, ILLUMINATE THE INSIDE OF THE CASING REGARDLESS OF THE POSITION OF THE SHUTTER. IF IT IS CLOSED, THE PERIPHERAL ILLUMINATION OF THE LIGHT FIXTURE PROVIDES A PATHLIGHTING FUNCTION. IF THE SHUTTER IS OPEN, THE COLORED LIGHT PROVIDES A DECORATIVE EFFECT.
- ELECTRONIC CONTROL GEAR.
- INCLUDES LED LAMPS AND 230-240V DRIVER UNIT.
- OPTIONAL RECESSING BOX FOR INSTALLATION IN CONCRETE WALLS.
- NOT SUITABLE FOR CEILING MOUNTING.
- COMPLIES WITH STANDARD EN60598-1 AND OTHER SPECIFIC STANDARDS.



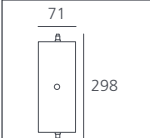


## NULLA 610

																						
			<p>⊕ ⚡ IP20 960° ○ white</p>																			
<p>T16 (G5) LED</p> 	<table border="1"> <thead> <tr> <th>CODE</th> <th>LIGHT SOURCE</th> <th>LED COLOUR</th> <th>WEIGHT</th> </tr> </thead> <tbody> <tr> <td><b>M184020</b></td> <td>T16 (G5) 1x24W non dimmable + LED 3W</td> <td>amber</td> <td>4,90kg</td> </tr> <tr> <td><b>M184120</b></td> <td>T16 (G5) 1x24W non dimmable + LED 3W</td> <td>red</td> <td>4,90kg</td> </tr> <tr> <td><b>M184220</b></td> <td>T16 (G5) 1x24W non dimmable + LED 3W</td> <td>green</td> <td>4,90kg</td> </tr> <tr> <td><b>M184320</b></td> <td>T16 (G5) 1x24W non dimmable + LED 3W</td> <td>blue</td> <td>4,90kg</td> </tr> </tbody> </table>	CODE	LIGHT SOURCE	LED COLOUR	WEIGHT	<b>M184020</b>	T16 (G5) 1x24W non dimmable + LED 3W	amber	4,90kg	<b>M184120</b>	T16 (G5) 1x24W non dimmable + LED 3W	red	4,90kg	<b>M184220</b>	T16 (G5) 1x24W non dimmable + LED 3W	green	4,90kg	<b>M184320</b>	T16 (G5) 1x24W non dimmable + LED 3W	blue	4,90kg	
CODE	LIGHT SOURCE	LED COLOUR	WEIGHT																			
<b>M184020</b>	T16 (G5) 1x24W non dimmable + LED 3W	amber	4,90kg																			
<b>M184120</b>	T16 (G5) 1x24W non dimmable + LED 3W	red	4,90kg																			
<b>M184220</b>	T16 (G5) 1x24W non dimmable + LED 3W	green	4,90kg																			
<b>M184320</b>	T16 (G5) 1x24W non dimmable + LED 3W	blue	4,90kg																			

## NULLA 1210

																						
			<p>⊕ ⚡ IP20 960° ○ white</p>																			
<p>T16 (G5) LED</p> 	<table border="1"> <thead> <tr> <th>CODE</th> <th>LIGHT SOURCE</th> <th>LED COLOUR</th> <th>WEIGHT</th> </tr> </thead> <tbody> <tr> <td><b>M184420</b></td> <td>T16 (G5) 1x54W non dimmable + LED 3W</td> <td>amber</td> <td>9,50kg</td> </tr> <tr> <td><b>M184520</b></td> <td>T16 (G5) 1x54W non dimmable + LED 3W</td> <td>red</td> <td>9,50kg</td> </tr> <tr> <td><b>M184620</b></td> <td>T16 (G5) 1x54W non dimmable + LED 3W</td> <td>green</td> <td>9,50kg</td> </tr> <tr> <td><b>M184720</b></td> <td>T16 (G5) 1x54W non dimmable + LED 3W</td> <td>blue</td> <td>9,50kg</td> </tr> </tbody> </table>	CODE	LIGHT SOURCE	LED COLOUR	WEIGHT	<b>M184420</b>	T16 (G5) 1x54W non dimmable + LED 3W	amber	9,50kg	<b>M184520</b>	T16 (G5) 1x54W non dimmable + LED 3W	red	9,50kg	<b>M184620</b>	T16 (G5) 1x54W non dimmable + LED 3W	green	9,50kg	<b>M184720</b>	T16 (G5) 1x54W non dimmable + LED 3W	blue	9,50kg	
CODE	LIGHT SOURCE	LED COLOUR	WEIGHT																			
<b>M184420</b>	T16 (G5) 1x54W non dimmable + LED 3W	amber	9,50kg																			
<b>M184520</b>	T16 (G5) 1x54W non dimmable + LED 3W	red	9,50kg																			
<b>M184620</b>	T16 (G5) 1x54W non dimmable + LED 3W	green	9,50kg																			
<b>M184720</b>	T16 (G5) 1x54W non dimmable + LED 3W	blue	9,50kg																			

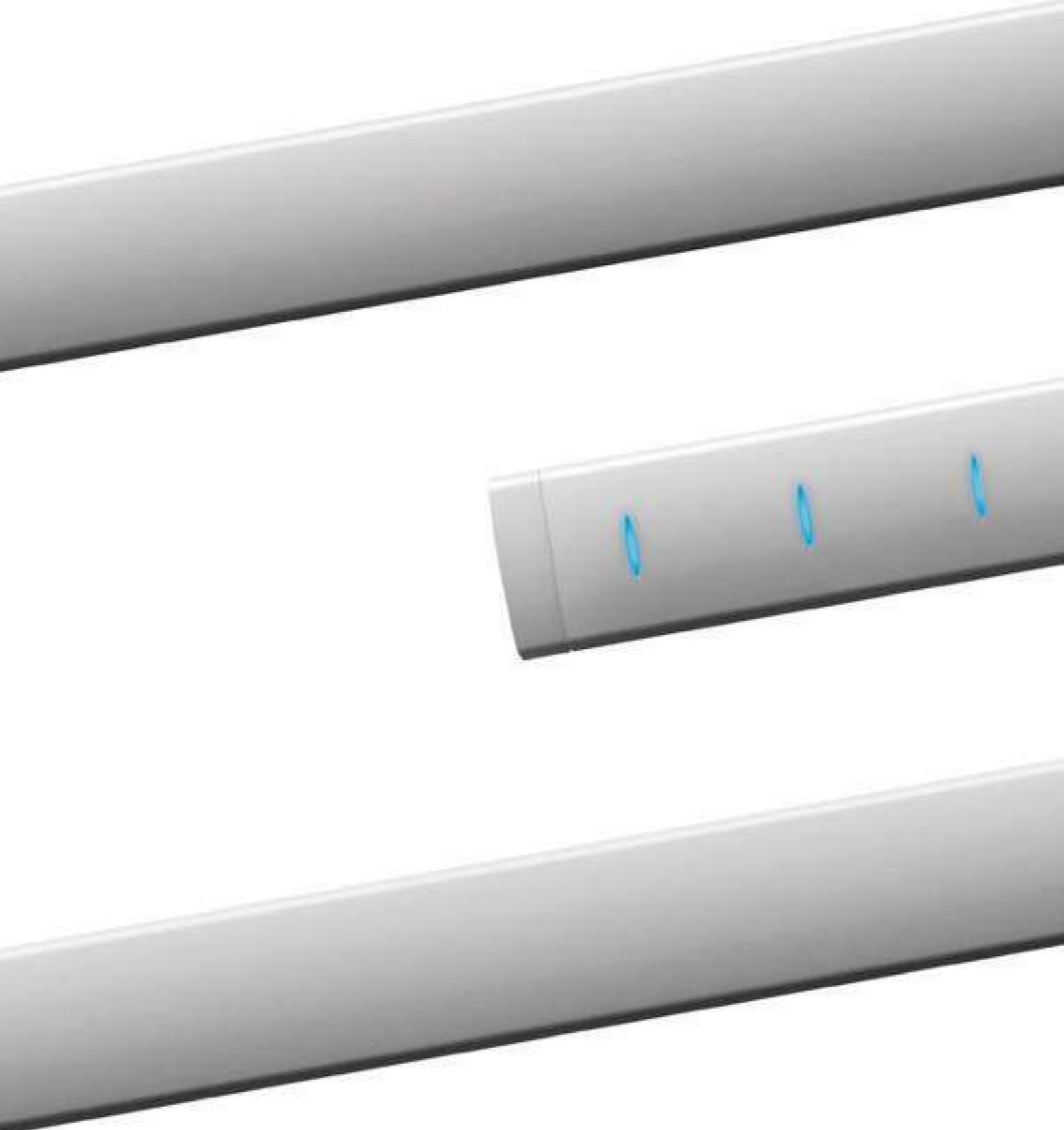
## NULLA ACCESSORIES

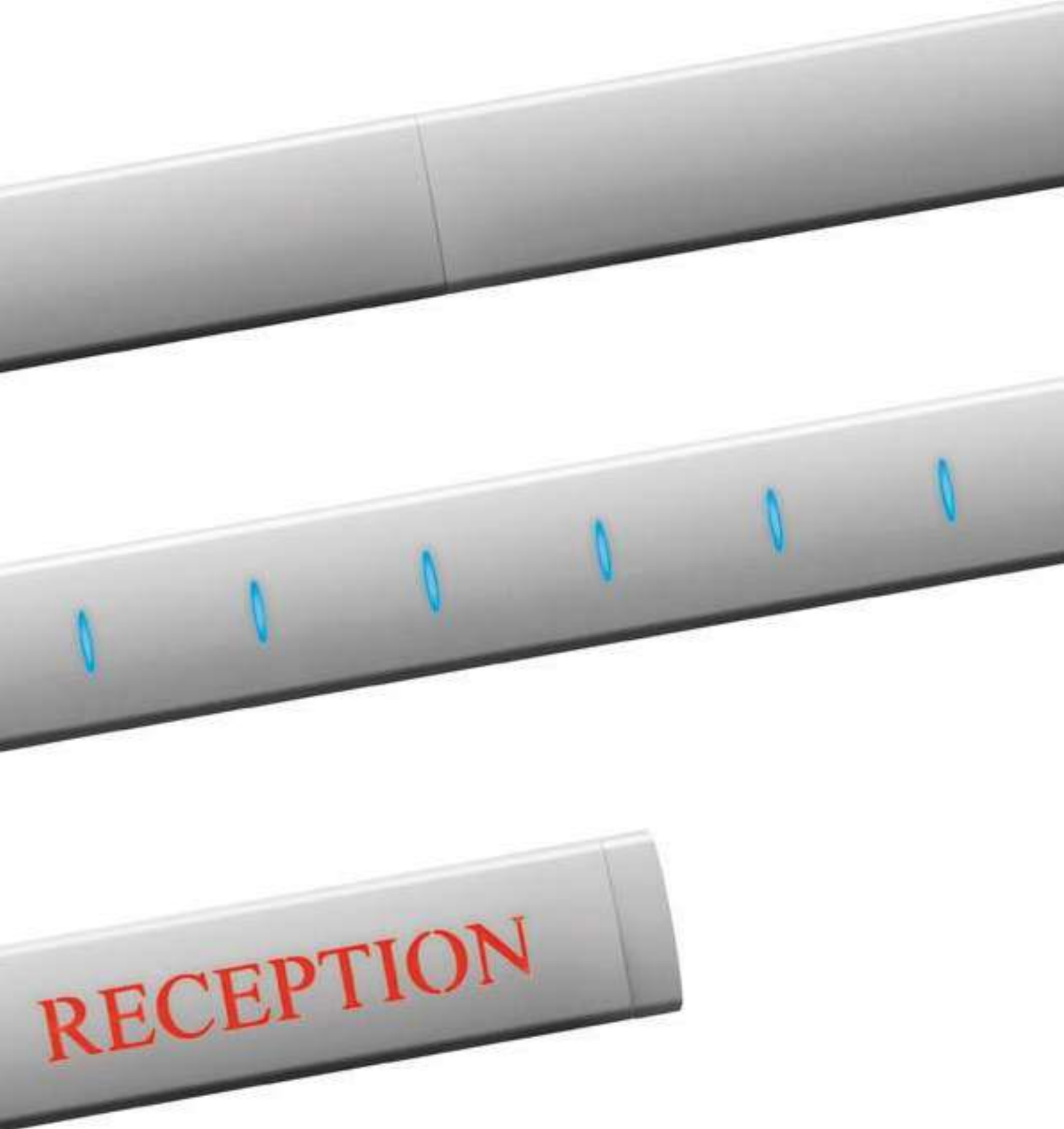
	<p>Recessing box for concrete walls.</p>
	<p><b>M184800</b> For NULLA 610.  298x684mm.  <b>M184900</b> For NULLA 1210.  298x1284mm.</p>



# TRAFFIC SYSTEM

design NEIL POULTON

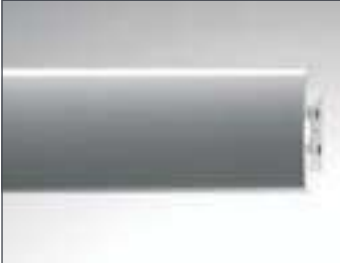





- WALL LIGHTING SYSTEM USING 28W AND 35W T16 FLUORESCENT LAMPS.
- ITS AESTHETIC CHARACTER AND HIGH LEVEL OF PERSONALIZATION MAKE IT SUITABLE FOR THE ILLUMINATION AND HIGHLIGHTING OF ZONES OF CIRCULATION SUCH AS HOTEL, HOSPITAL OR OFFICE BUILDING CORRIDORS, ENTRANCE HALLS, WAITING ROOMS, ETC.
- PAINTED STEEL STRUCTURE, FRONT FASCIA IN EXTRUDED ALUMINIUM WITH A WHITE OR GREY PAINT FINISH.
- 2 LENGTH OPTIONS: 1180MM AND 1480MM.
- 3 VERSIONS: FULL FRONT FASCIA WITH NO CUT-OUTS (TRAFFIC STANDARD), FRONT FASCIA WITH ELLIPTICAL CUT-OUTS AND OPALINE OR BLUE FILTER (TRAFFIC ELLIPSE), CUSTOMIZED FRONT FASCIA WITH CUT-OUT COMPANY LOGOS, SYMBOLS OR THE SUCHLIKE (TRAFFIC SIGNATURE).
- ELECTRONIC BALLAST.
- COMPLIES WITH STANDARD EN60598-1 AND OTHER SPECIFIC STANDARDS.

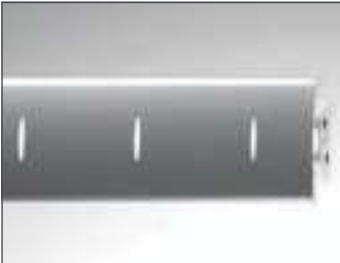



## TRAFFIC SYSTEM STANDARD

		<p>⊕ ▽ IP20 960° ○ white <b>2</b> ● grey <b>9</b></p>			
		T16 (G5)			
		CODE	LIGHT SOURCE	LENGTH	WEIGHT
		<b>M0922.0</b>	T16 (G5) 1x28W	1180mm	2,30kg
		<b>M0923.0</b>	T16 (G5) 1x35W	1480mm	3,00kg



photometric data: see page 439.

## TRAFFIC SYSTEM ELLIPSE

		<p>⊕ ▽ IP20 960° ○ white <b>2</b> ● grey <b>9</b></p>				
		T16 (G5)				
		CODE	LIGHT SOURCE	LENGTH	FILTER COLOUR	WEIGHT
		<b>M0924.0</b>	T16 (G5) 1x28W	1180mm	blue	2,30kg
		<b>M0925.0</b>	T16 (G5) 1x28W	1180mm	opaline	2,30kg
		<b>M0926.0</b>	T16 (G5) 1x35W	1480mm	blue	3,00kg
		<b>M0927.0</b>	T16 (G5) 1x35W	1480mm	opaline	3,00kg

photometric data: see page 439.

## TRAFFIC SYSTEM SIGNATURE

		<p>⊕ ▽ IP20 960° ○ white <b>2</b> ● grey <b>9</b></p>				
		T16 (G5)				
		CODE	LIGHT SOURCE	LENGTH	FILTER COLOUR	WEIGHT
		<b>M0932.0</b>	T16 (G5) 1x28W	1180mm	on request	2,30kg
		<b>M0933.0</b>	T16 (G5) 1x35W	1480mm	on request	3,00kg

photometric data: see page 439.

## TRAFFIC SYSTEM ACCESSORY

	<p><b>M0934.0</b> End plate (1 piece).</p> <p>○ white <b>2</b> ● grey <b>9</b></p>
---	--



NEWFORM, SERRVALLE SESIA (I).  
PAGE 394: HQ'S MASERATI, MODENA (I), STUDIO STURCHIO ARCHITECTS DESIGNERS.


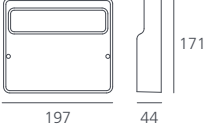




# SQUARE

design A+A COOREN



- WALL LAMP WITH INDIRECT LIGHTING USING 300W HALOGEN AND 18W TC-DEL FLUORESCENT LAMPS.
- DIE-CAST ALUMINIUM BODY WITH WHITE OR GREY PAINT FINISH.
- ELECTRONIC BALLAST WITH FLUORESCENT VERSION.
- COMPLIES WITH STANDARD EN60598-1 AND OTHER SPECIFIC STANDARDS.

# SQUARE

	 <p>   IP20 960° ○ white <b>2</b> ● grey <b>9</b> </p>									
<p>QT-DE12 (R7s) </p> <p>TC-DEL (G24q-2) </p>	<table border="1"> <thead> <tr> <th>CODE</th> <th>LIGHT SOURCE</th> <th>WEIGHT</th> </tr> </thead> <tbody> <tr> <td><b>M0618.0</b></td> <td>QT-DE12 (R7s) 1xmax300W</td> <td>0,80kg</td> </tr> <tr> <td><b>M0619.0</b></td> <td>TC-DEL (G24q-2) 1x18W</td> <td>0,80kg</td> </tr> </tbody> </table>	CODE	LIGHT SOURCE	WEIGHT	<b>M0618.0</b>	QT-DE12 (R7s) 1xmax300W	0,80kg	<b>M0619.0</b>	TC-DEL (G24q-2) 1x18W	0,80kg
CODE	LIGHT SOURCE	WEIGHT								
<b>M0618.0</b>	QT-DE12 (R7s) 1xmax300W	0,80kg								
<b>M0619.0</b>	TC-DEL (G24q-2) 1x18W	0,80kg								

photometric data: see page 438.

# KANJI


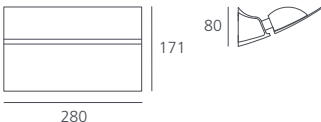

design ERIC SOLÉ



- A RANGE OF WALL LAMPS WITH INDIRECT LIGHTING USING 230/240V HALOGEN AND FLUORESCENT LAMPS.
- EXTRUDED ALUMINIUM BODY WITH WHITE PAINT FINISH.
- ASYMMETRIC LIGHT DISTRIBUTION.
- 3 LENGTH OPTIONS: 280MM, 900MM AND 1600MM.
- ELECTRONIC CONTROL GEAR.
- OPTIONAL EMERGENCY LIGHTING FOR THE TC-LEL FLUORESCENT.
- COMPLIES WITH STANDARD EN60598-1 AND OTHER SPECIFIC STANDARDS.


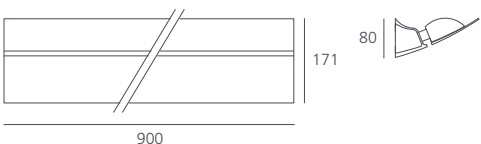



## KANJI 280

											
		<table border="1"> <thead> <tr> <th>CODE</th> <th>LIGHT SOURCE</th> <th>WEIGHT</th> </tr> </thead> <tbody> <tr> <td><b>M026020</b></td> <td>QT-DE12 (R7s) 1xmax300W</td> <td>1,45kg</td> </tr> <tr> <td><b>M026120</b></td> <td>TC-DEL (G24q-3) 1x26W</td> <td>1,45kg</td> </tr> </tbody> </table>	CODE	LIGHT SOURCE	WEIGHT	<b>M026020</b>	QT-DE12 (R7s) 1xmax300W	1,45kg	<b>M026120</b>	TC-DEL (G24q-3) 1x26W	1,45kg
CODE	LIGHT SOURCE	WEIGHT									
<b>M026020</b>	QT-DE12 (R7s) 1xmax300W	1,45kg									
<b>M026120</b>	TC-DEL (G24q-3) 1x26W	1,45kg									


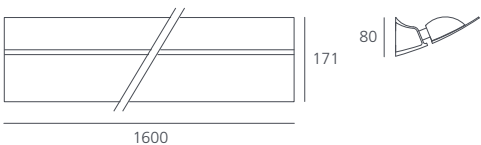

photometric data: see page 437.

## KANJI 900

														
		<table border="1"> <thead> <tr> <th>CODE</th> <th>LIGHT SOURCE</th> <th>WEIGHT</th> </tr> </thead> <tbody> <tr> <td><b>M026620</b></td> <td>TC-LEL (2G11) 1x55W</td> <td>4,40kg</td> </tr> <tr> <td><b>M026627</b></td> <td>TC-LEL (2G11) 1x55W + emergency 1h</td> <td>5,00kg</td> </tr> <tr> <td><b>M026720</b></td> <td>TC-LEL (2G11) 1x80W</td> <td>4,40kg</td> </tr> </tbody> </table>	CODE	LIGHT SOURCE	WEIGHT	<b>M026620</b>	TC-LEL (2G11) 1x55W	4,40kg	<b>M026627</b>	TC-LEL (2G11) 1x55W + emergency 1h	5,00kg	<b>M026720</b>	TC-LEL (2G11) 1x80W	4,40kg
CODE	LIGHT SOURCE	WEIGHT												
<b>M026620</b>	TC-LEL (2G11) 1x55W	4,40kg												
<b>M026627</b>	TC-LEL (2G11) 1x55W + emergency 1h	5,00kg												
<b>M026720</b>	TC-LEL (2G11) 1x80W	4,40kg												

photometric data: see page 437.

## KANJI 1600

								
		<table border="1"> <thead> <tr> <th>CODE</th> <th>LIGHT SOURCE</th> <th>WEIGHT</th> </tr> </thead> <tbody> <tr> <td><b>M026820</b></td> <td>T16 (G5) 1x80W</td> <td>7,50kg</td> </tr> </tbody> </table>	CODE	LIGHT SOURCE	WEIGHT	<b>M026820</b>	T16 (G5) 1x80W	7,50kg
CODE	LIGHT SOURCE	WEIGHT						
<b>M026820</b>	T16 (G5) 1x80W	7,50kg						

photometric data: see page 437.


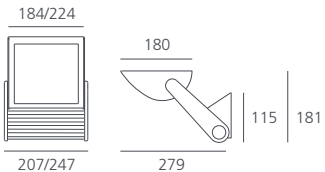







# PRADO

design BRUNO HOUSSIN & ALAIN GIROT



- A RANGE OF WALL LAMPS USING 230/240V HALOGEN, METAL HALIDE AND FLUORESCENT LAMPS.
- ALUMINIUM BODY COMPRISING AN OPTICAL AND POWER SUPPLY UNIT.
- THE OPTICAL UNIT, WITH A TILT ANGLE OF UP TO 90°, INCLUDES AN ASYMMETRICAL REFLECTOR IN ALUMINIUM.
- ELECTRONIC CONTROL GEAR.
- HALOGEN VERSION COMES WITH PROTECTIVE GLASS.
- HIT VERSION COMES WITH UV FILTER.
- OPTIONAL LOUVRE GRID.
- COMPLIES WITH STANDARD EN60598-1 AND OTHER SPECIFIC STANDARDS.

## PRADO WALL

			 90°															
	  IP20 960°  white <b>0</b>  grey <b>6</b>																	
HIT-DE-CE-h45  QT-DE12 (R7s)  TC-TEL (GX24q-4) 	<table border="1"> <thead> <tr> <th>CODE</th> <th>LIGHT SOURCE</th> <th>WEIGHT</th> </tr> </thead> <tbody> <tr> <td><b>M0540.1</b></td> <td>HIT-DE-CE-h45 1x70W</td> <td>2,30kg</td> </tr> <tr> <td><b>M0541.1</b></td> <td>HIT-DE-CE-h45 1x150W</td> <td>2,30kg</td> </tr> <tr> <td><b>M0230.1</b></td> <td>QT-DE12 (R7s) 1xmax300W</td> <td>2,10kg</td> </tr> <tr> <td><b>M0502.1</b></td> <td>TC-TEL (GX24q-4) 1x42W</td> <td>2,20kg</td> </tr> </tbody> </table>			CODE	LIGHT SOURCE	WEIGHT	<b>M0540.1</b>	HIT-DE-CE-h45 1x70W	2,30kg	<b>M0541.1</b>	HIT-DE-CE-h45 1x150W	2,30kg	<b>M0230.1</b>	QT-DE12 (R7s) 1xmax300W	2,10kg	<b>M0502.1</b>	TC-TEL (GX24q-4) 1x42W	2,20kg
CODE	LIGHT SOURCE	WEIGHT																
<b>M0540.1</b>	HIT-DE-CE-h45 1x70W	2,30kg																
<b>M0541.1</b>	HIT-DE-CE-h45 1x150W	2,30kg																
<b>M0230.1</b>	QT-DE12 (R7s) 1xmax300W	2,10kg																
<b>M0502.1</b>	TC-TEL (GX24q-4) 1x42W	2,20kg																

photometric data: see page 438.

## PRADO WALL ACCESSORIES

	Light-shade grill.
	<b>M081007</b> For HIT and halogen versions. <b>M081177</b> For fluorescent version.



ADSERV, MILAN (I), P. CAROZZI.

# RIVOLI

design ERNESTO GISMONDI



- A RANGE OF OUTDOOR LUMINAIRES FOR T16 FLUORESCENT LAMPS FOR LIGHTING FACADES OR VERTICAL SURFACES. 2 OPTIONS: RECESSED INTO THE GROUND OR SURFACE MOUNTED.
- ELECTRONIC CONTROL GEAR.
- CONNECTION AND BRANCH BOX TO BE ORDERED SEPARATELY.
- COMPLIES WITH STANDARD EN60598-1 AND OTHER SPECIFIC STANDARDS.

#### **RIVOLI RECESSED**

- EXTRUDED ALUMINIUM BODY.
- END CAPS MADE FROM DIE-CAST ALUMINIUM.
- DIFFUSER IN 8MM THICK SCREEN-PRINTED TEMPERED GLASS.
- RECESSING BOX TO BE ORDERED SEPARATELY.
- IP67.
- LUMINAIRE INCLUDES LAMP AND POWER SUPPLY CABLE.

#### **RIVOLI CORNICE**

- EXTRUDED ALUMINIUM BODY.
- END CAPS MADE FROM DIE-CAST ALUMINIUM.
- ALUMINIUM OPTIC UNIT.
- DIFFUSER IN 5MM THICK SCREEN-PRINTED TEMPERED GLASS.
- SUITABLE FOR WALL MOUNTING WITH LIGHTING DIRECTED UPWARDS OR DOWNWARDS, AND FOR CEILING MOUNTING.
- MULTI-POSITION FIXING MECHANISM TO BE ORDERED SEPARATELY.
- LUMINAIRE INCLUDES LAMP AND POWER SUPPLY CABLE.





GRÜNPROJEKT LADENBURG, LADENBURG (D).  
PAGE 406: PALACIO DE LA TINTA, MALAGA (SP), LUIS OCTAVIO FRADE.



MUSEO DEL MARE, GENOA (I), GUILLERMO VASQUEZ CONSUEGRA.


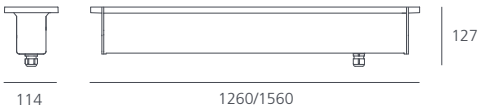
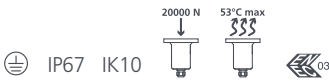


GRÜNPROJEKT LADENBURG, LADENBURG (D).




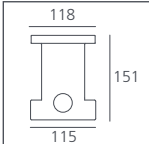
TELESIS, ATHENS (GR).

## RIVOLI RECESSED T16

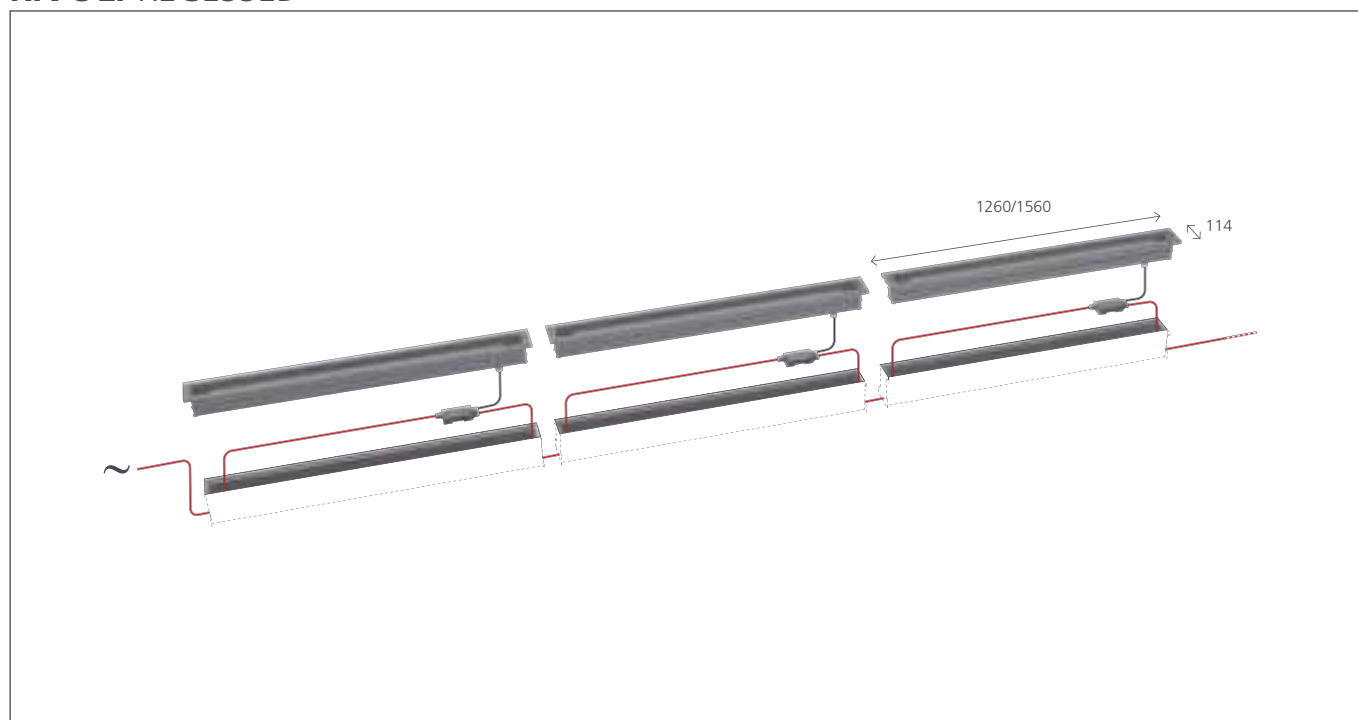
			IP67 IK10	<b>CODE</b>	<b>LIGHT SOURCE</b>	<b>LENGTH</b>	<b>WEIGHT</b>
				<b>M128800</b>	T16 (G5) 1x28W 2700K non dimmable	1260mm	5,70kg
				<b>M128900</b>	T16 (G5) 1x54W 2700K non dimmable	1260mm	5,70kg
				<b>M129000</b>	T16 (G5) 1x35W 2700K non dimmable	1560mm	6,80kg
				<b>M129100</b>	T16 (G5) 1x28W 2700K dimmable DALI	1260mm	5,70kg
				<b>M129200</b>	T16 (G5) 1x54W 2700K dimmable DALI	1260mm	5,70kg
				<b>M129300</b>	T16 (G5) 1x35W 2700K dimmable DALI	1560mm	6,80kg

photometric data: see page 439.

## RIVOLI RECESSED ACCESSORIES

	<b>M073130</b> Connection and branch box (IP67).		Recessing box.
			<b>M129400</b> For T16 28/54W. $\square$ 1264x118mm <b>M129500</b> For T16 35W. $\square$ 1564x118mm


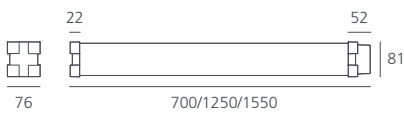

## RIVOLI RECESSED





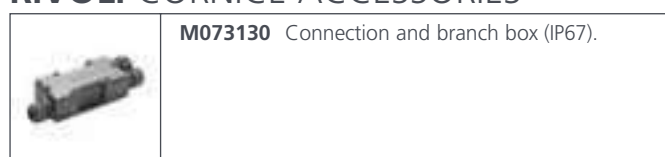
From the Ministry of Health and Family Welfare  
The National Institute of Health  
The National Institute of Child Health and Development

## RIVOLI CORNICE T16

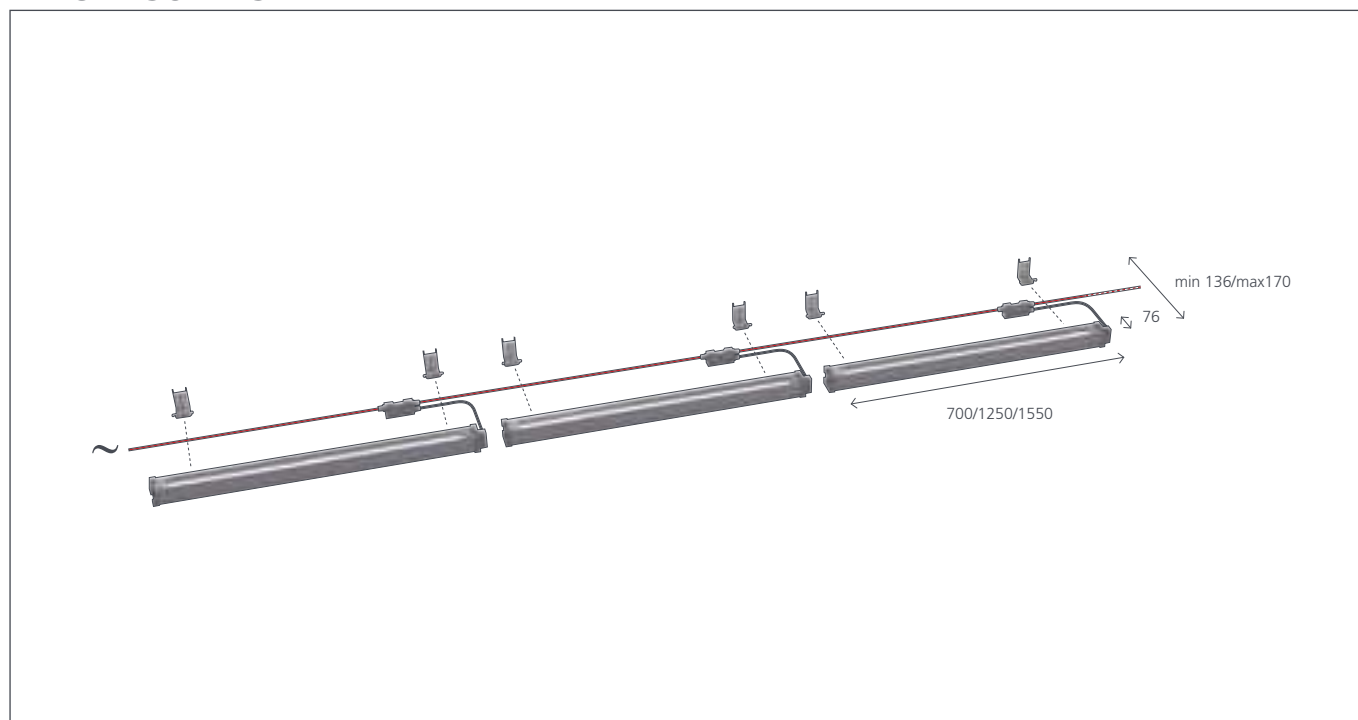
					
		T16 (G5)			
		<b>CODE</b>	<b>LIGHT SOURCE</b>	<b>LENGTH</b>	<b>WEIGHT</b>
		<b>M103000</b>	T16 (G5) 1x24W 2700K non dimmable	700mm	2,60kg
		<b>M103100</b>	T16 (G5) 1x28W 2700K non dimmable	1250mm	4,70kg
		<b>M103200</b>	T16 (G5) 1x35W 2700K non dimmable	1550mm	5,80kg
		<b>M103300</b>	T16 (G5) 1x54W 2700K non dimmable	1250mm	4,70kg

photometric data: see page 439.

## RIVOLI CORNICE ACCESSORIES



## RIVOLI CORNICE



# INTERACTIVE-DALI TECHNOLOGY



ROOM IN USE. OPERATION WITH MOVEMENT DETECTION AND DAYLIGHT CONTROL.



ROOM NOT IN USE. TIMED SWITCH-OFF.



ROOM NOT IN USE, COMPLETE SWITCH-OFF.

TO COMPLEMENT THE STANDARD VERSIONS, WITH OR WITHOUT DIMMING, ARTEMIDE ARCHITECTURAL PRESENTS **INTERACTIVE-DALI**, A CONTROL SYSTEM WHICH RESPONDS TO TWO RELATED REQUIREMENTS: CUSTOMIZED LIGHT, WHICH ENSURES OPTIMUM CONVENIENCE OF USE, AND AUTOMATIC SWITCHING ON AND OFF TO SAVE ENERGY.

EXTREMELY VARIED LIGHTING PROGRAMMES CAN BE SET THANKS TO **INTERACTIVE-DALI**, ADJUSTABLE COMPONENTS SUCH AS A MOVEMENT DETECTOR, A PHOTOVOLTAIC CELL AND AN INFRARED RECEIVER. WITH **INTERACTIVE-DALI**, THE LIGHTS IGNITE AUTOMATICALLY WHEN SOMEONE IS IN THE ROOM AND THERE IS NOT ENOUGH NATURAL LIGHT.

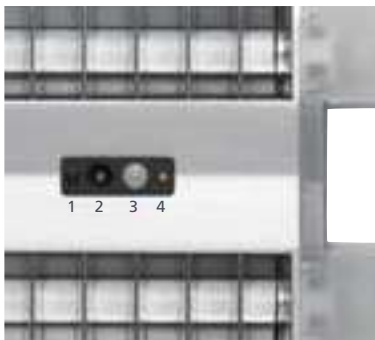
ON THE BASIS OF PERSONAL CHARACTERISTICS (EYESIGHT, REQUIRED CONCENTRATION, FEELING OF TIREDNESS...) OR THE WORK TO BE DONE (INDIVIDUAL WORK, A MEETING, VIDEO PROJECTION, ETC.) PEOPLE CAN SET THE AMOUNT OF LIGHT THEY PREFER AND REQUIRE SIMPLY BY PUSHING A BUTTON OR USING THE OPTIONAL REMOTE CONTROL. ONCE THESE PARAMETERS ARE SET, THE SYSTEM AUTOMATICALLY MAINTAINS A CONSTANT LIGHTING LEVEL ACCORDING TO THE DEGREE OF DAYLIGHT.

WHEN THE ROOM IS EMPTY, THE LIGHT REDUCES AUTOMATICALLY AND LATER TURNS OFF IN ACCORDANCE WITH AN ADJUSTABLE TIME SEQUENCE.

#### MAIN ADVANTAGES

- HIGHLY ADJUSTABLE FUNCTIONS.
- "PLUG AND PLAY" CONNECTION, NO MODIFICATIONS TO EXISTING WIRING.
- POSSIBILITY (OPTIONAL) OF OPERATING UP TO A MAXIMUM OF TEN LIGHTS, WHICH CAN BE DIVIDED INTO TWO GROUPS.
- ENERGY SAVINGS BRING A RETURN ON YOUR INVESTMENT.

NB: **INTERACTIVE-DALI** TECHNOLOGY IS APPLIED TO STAND-ALONE LUMINAIRES, TO SOME SPECIFIC FIXTURES BELONGING TO THE SAME FAMILY, CONNECTED TO EACH OTHER OR TO EXTERNAL **INTERACTIVE-DALI** COMPONENTS (EG: EXTENSION MOVEMENT DETECTOR). AS A RESULT, NO CONNECTION TO AN EXTERNAL DALI BUS IS ALLOWED.

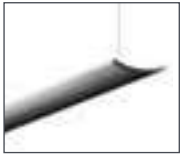


- 1 INFRARED RECEIVER.
- 2 DAYLIGHT SENSOR.
- 3 MOVEMENT DETECTOR.
- 4 SERVICE BUTTON (FOR SELECTING OPERATING PROGRAMMES).

## INTERACTIVE-DALI LUMINAIRES

THE FOLLOWING PRODUCTS ARE FITTED WITH INTERACTIVE-DALI SYSTEM.

THE MASTER LUMINAIRE (EQUIPPED WITH INTERACTIVE-DALI SYSTEM) CAN BE CONNECTED TO ANOTHER 10 DALI DIMMABLE LIGHTS. OPERATION THROUGH INTERACTIVE-DALI REMOTE CONTROL OR EXTERNAL PUSH BUTTON.



SURF SYSTEM 259



MEGAN SYSTEM 319

OPERATION THROUGH INTERACTIVE-DALI REMOTE CONTROL OR EXTERNAL PUSH BUTTON.



LOST DUO 305

OPERATION THROUGH INTERACTIVE-DALI REMOTE CONTROL OR INTEGRAL PUSH BUTTON.



CHOCOLATE 194



KALIFA FLOOR 280

## DALI LUMINAIRES

FOR THE PRODUCTS EQUIPPED WITH DALI DIMMABLE ELECTRONIC BALLAST, IT IS POSSIBLE TO USE AN EXTERNAL INTERACTIVE-DALI KIT, FOR RECESS INTO THE FALSE CEILING. THIS KIT CAN OPERATE UP TO 11 DALI DIMMABLE UNITS. OPERATION THROUGH INTERACTIVE-DALI REMOTE CONTROL OR EXTERNAL PUSH BUTTON.



ALGORITMO 222



KALIFA SYSTEM 275



NOTA BENE 290



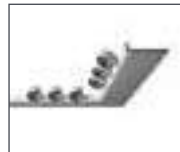
TALO SYSTEM 300



ESPRIT 312



MINI FLAP SYSTEM 328



ORION SYSTEM 347



CHOCOLATE 199



KALIFA II 267



KALIFA SUSP. 287



LOST 305



TWIST 357



ABSOLU 363



ORION SUSP. 349



TAGORA 114



SOLAR 183



BOLERO 185



ALTOP 187



KALIFA RECESSED 285





NOTHING LINEAR SYSTEM 91



JAVA LINEAR SYSTEM 70





## INTERACTIVE-DALI COMPONENTS

	<p><b>M074030</b> INTERACTIVE-DALI KIT, Ø86MM, WHITE, RECESSED.  Ø72</p> <p>Can be connected to a max. 11 DALI dimmable units. Is operated through INTERACTIVE-DALI remote control or external push button.</p>
	<p><b>M104900</b> INTERACTIVE-DALI remote control.</p>



	<p><b>M074130</b> EXTENSION MOVEMENT DETECTOR, WHITE, RECESSED.  Ø64</p> <p>To be used when the area to be covered is bigger than 6,00x5,00m by height 2,50m. To be connected to one of the outputs of the INTERACTIVE-DALI controller. No extra mains connection required.</p>
--	--

# LIGHT SOURCES






## 230-240V LED LAMPS

	CODE	LBS	ILCOS L	WATTAGE	BEAM	COLOUR T	SOCKET	LM	CRI																																																																																
	<b>M004720</b>	-	-	4W	25°	3000K	GU10	-	85	 55,5mm																																																																															
	<table border="1"> <thead> <tr> <th>H m</th> <th>Ø m</th> <th>EMax lux</th> <th>EM lux</th> </tr> </thead> <tbody> <tr> <td>1</td> <td>0,39</td> <td>550</td> <td>247</td> </tr> <tr> <td>2</td> <td>0,78</td> <td>137</td> <td>61</td> </tr> <tr> <td>3</td> <td>1,17</td> <td>61</td> <td>27</td> </tr> <tr> <td>4</td> <td>1,56</td> <td>34</td> <td>15</td> </tr> </tbody> </table>										H m	Ø m	EMax lux	EM lux	1	0,39	550	247	2	0,78	137	61	3	1,17	61	27	4	1,56	34	15																																																											
	H m	Ø m	EMax lux	EM lux																																																																																					
	1	0,39	550	247																																																																																					
	2	0,78	137	61																																																																																					
	3	1,17	61	27																																																																																					
4	1,56	34	15																																																																																						
TCR35-SE 3W 25°																																																																																									
	<b>M004730</b>	-	-	7W	25°	3000K	GU10	-	85	 80,5mm																																																																															
	<b>M004740</b>	-	-	7W	40°	3000K	GU10	-	85																																																																																
	<b>M004735</b>	-	-	7W	25°	4200K	GU10	-	85																																																																																
	<b>M004745</b>	-	-	7W	40°	4200K	GU10	-	85																																																																																
	<table border="1"> <thead> <tr> <th>H m</th> <th>Ø m</th> <th>EMax lux</th> <th>EM lux</th> <th>H m</th> <th>Ø m</th> <th>EMax lux</th> <th>EM lux</th> <th>H m</th> <th>Ø m</th> <th>EMax lux</th> <th>EM lux</th> <th>H m</th> <th>Ø m</th> <th>EMax lux</th> <th>EM lux</th> </tr> </thead> <tbody> <tr> <td>1</td> <td>0,43</td> <td>1006</td> <td>474</td> <td>1</td> <td>0,71</td> <td>402</td> <td>168</td> <td>1</td> <td>0,40</td> <td>1148</td> <td>547</td> <td>1</td> <td>0,67</td> <td>559</td> <td>239</td> </tr> <tr> <td>2</td> <td>0,85</td> <td>252</td> <td>118</td> <td>2</td> <td>1,42</td> <td>100</td> <td>42</td> <td>2</td> <td>0,79</td> <td>287</td> <td>137</td> <td>2</td> <td>1,34</td> <td>140</td> <td>60</td> </tr> <tr> <td>3</td> <td>1,28</td> <td>112</td> <td>53</td> <td>3</td> <td>2,14</td> <td>45</td> <td>19</td> <td>3</td> <td>1,19</td> <td>128</td> <td>61</td> <td>3</td> <td>2,01</td> <td>62</td> <td>27</td> </tr> <tr> <td>4</td> <td>1,70</td> <td>63</td> <td>30</td> <td>4</td> <td>2,85</td> <td>25</td> <td>11</td> <td>4</td> <td>1,58</td> <td>72</td> <td>34</td> <td>4</td> <td>2,68</td> <td>35</td> <td>15</td> </tr> </tbody> </table>										H m	Ø m	EMax lux	EM lux	H m	Ø m	EMax lux	EM lux	H m	Ø m	EMax lux	EM lux	H m	Ø m	EMax lux	EM lux	1	0,43	1006	474	1	0,71	402	168	1	0,40	1148	547	1	0,67	559	239	2	0,85	252	118	2	1,42	100	42	2	0,79	287	137	2	1,34	140	60	3	1,28	112	53	3	2,14	45	19	3	1,19	128	61	3	2,01	62	27	4	1,70	63	30	4	2,85	25	11	4	1,58	72	34	4	2,68	35
H m	Ø m	EMax lux	EM lux	H m	Ø m	EMax lux	EM lux	H m	Ø m	EMax lux	EM lux	H m	Ø m	EMax lux	EM lux																																																																										
1	0,43	1006	474	1	0,71	402	168	1	0,40	1148	547	1	0,67	559	239																																																																										
2	0,85	252	118	2	1,42	100	42	2	0,79	287	137	2	1,34	140	60																																																																										
3	1,28	112	53	3	2,14	45	19	3	1,19	128	61	3	2,01	62	27																																																																										
4	1,70	63	30	4	2,85	25	11	4	1,58	72	34	4	2,68	35	15																																																																										
TCR50-SE 7W 3000K 25°			TCR50-SE 7W 3000K 40°			TCR50-SE 7W 4200K 25°			TCR50-SE 7W 4200K 40°																																																																																



## 230-240V HALOGEN LAMPS

	CODE	LBS	ILCOS L	WATTAGE	BEAM	COLOUR T	SOCKET	LM	CRI																																									
	<b>M002040</b>	QT-DE12	HDG	150W	-	3000K	R7s	2500lm	100																																									
	<b>M002025</b>	QT-DE12	HDG	120W ECO	-	3000K	R7s	2300lm	100																																									
	<b>M002035</b>	QT-DE12	HDG	160W ECO	-	3000K	R7s	3300lm	100																																									
	<b>M002045</b>	QT-DE12	HDG	230W ECO	-	3000K	R7s	5000lm	100																																									
	<b>M002010</b>	QT-DE12	HDG	300W	-	2900K	R7s	5600lm	100																																									
		<b>M002220</b>	QPAR20	HAGS/UB	50W	10°	2800K	E27	-	100																																								
<b>M002230</b>		QPAR20	HAGS/UB	50W	30°	2800K	E27	-	100																																									
<table border="1"> <thead> <tr> <th>H m</th> <th>Ø m</th> <th>EMax lux</th> <th>EM lux</th> <th>H m</th> <th>Ø m</th> <th>EMax lux</th> <th>EM lux</th> </tr> </thead> <tbody> <tr> <td>1</td> <td>0,17</td> <td>3201</td> <td>1599</td> <td>1</td> <td>0,47</td> <td>1099</td> <td>512</td> </tr> <tr> <td>2</td> <td>0,35</td> <td>800</td> <td>400</td> <td>2</td> <td>0,93</td> <td>275</td> <td>128</td> </tr> <tr> <td>3</td> <td>0,52</td> <td>356</td> <td>178</td> <td>3</td> <td>1,40</td> <td>122</td> <td>57</td> </tr> <tr> <td>4</td> <td>0,70</td> <td>200</td> <td>100</td> <td>4</td> <td>1,86</td> <td>69</td> <td>32</td> </tr> </tbody> </table>										H m	Ø m	EMax lux	EM lux	H m	Ø m	EMax lux	EM lux	1	0,17	3201	1599	1	0,47	1099	512	2	0,35	800	400	2	0,93	275	128	3	0,52	356	178	3	1,40	122	57	4	0,70	200	100	4	1,86	69	32	
H m		Ø m	EMax lux	EM lux	H m	Ø m	EMax lux	EM lux																																										
1		0,17	3201	1599	1	0,47	1099	512																																										
2		0,35	800	400	2	0,93	275	128																																										
3	0,52	356	178	3	1,40	122	57																																											
4	0,70	200	100	4	1,86	69	32																																											
QPAR20 50W 10°			QPAR20 50W 30°																																															








# 12V HALOGEN LAMPS

	CODE	LBS	ILCOS L	WATTAGE	BEAM	COLOUR T	SOCKET	LM	CRI																																																																																																																																													
	<b>M001050</b>	QT9-UVr-ax	HSGST/C/UB	20W	-	3000K	G4	320lm	100																																																																																																																																													
	<b>M001245</b>	QT12-UVr-ax	HSGST/C/UB	35W ECO	-	3000K	GY6,35	900lm	100																																																																																																																																													
	<b>M001250</b>	QT12-UVr-ax	HSGST/C/UB	50W ECO	-	3000K	GY6,35	1250lm	100																																																																																																																																													
	<b>M001060</b>	QT12-UVr-ax	HSGST/C/UB	50W	-	3000K	GY6,35	950lm	100																																																																																																																																													
	<b>M001005</b>	QT12-UVr-ax	HSGST/C/UB	60W ECO	-	3000K	GY6,35	1650lm	100																																																																																																																																													
	<b>M001140</b>	QR-CBC35	HRGI	20W	30°	3000K	GU4	-	100																																																																																																																																													
	<b>M001230</b>	QR-CBC35	HRGI	35W	30°	3000K	GU4	-	100																																																																																																																																													
	<table border="1"> <thead> <tr> <th>H</th> <th>Ø</th> <th>EMax</th> <th>EM</th> <th>H</th> <th>Ø</th> <th>EMax</th> <th>EM</th> </tr> <tr> <th>m</th> <th>m</th> <th>lux</th> <th>lux</th> <th>m</th> <th>m</th> <th>lux</th> <th>lux</th> </tr> </thead> <tbody> <tr> <td>1</td> <td>0,41</td> <td>1311</td> <td>616</td> <td>1</td> <td>0,40</td> <td>3090</td> <td>1457</td> </tr> <tr> <td>2</td> <td>0,83</td> <td>328</td> <td>154</td> <td>2</td> <td>0,81</td> <td>773</td> <td>364</td> </tr> <tr> <td>3</td> <td>1,24</td> <td>146</td> <td>68</td> <td>3</td> <td>1,21</td> <td>343</td> <td>162</td> </tr> <tr> <td>4</td> <td>1,66</td> <td>82</td> <td>38</td> <td>4</td> <td>1,61</td> <td>193</td> <td>91</td> </tr> </tbody> </table>		H	Ø	EMax	EM	H	Ø	EMax	EM	m	m	lux	lux	m	m	lux	lux	1	0,41	1311	616	1	0,40	3090	1457	2	0,83	328	154	2	0,81	773	364	3	1,24	146	68	3	1,21	343	162	4	1,66	82	38	4	1,61	193	91	QR-CBC35 20W 30°		QR-CBC35 35W 30°																																																																																																	
H	Ø	EMax	EM	H	Ø	EMax	EM																																																																																																																																															
m	m	lux	lux	m	m	lux	lux																																																																																																																																															
1	0,41	1311	616	1	0,40	3090	1457																																																																																																																																															
2	0,83	328	154	2	0,81	773	364																																																																																																																																															
3	1,24	146	68	3	1,21	343	162																																																																																																																																															
4	1,66	82	38	4	1,61	193	91																																																																																																																																															
	<b>M001155</b>	QR-CBC51	HRGS/UBIB	35W ECO	10°	3000K	GU5,3	-	100																																																																																																																																													
	<b>M001160</b>	QR-CBC51	HRGS/UBIB	35W ECO	24°	3000K	GU5,3	-	100																																																																																																																																													
	<b>M001165</b>	QR-CBC51	HRGS/UBIB	35W ECO	36°	3000K	GU5,3	-	100																																																																																																																																													
	<b>M001170</b>	QR-CBC51	HRGS/UBIB	35W ECO	60°	3000K	GU5,3	-	100																																																																																																																																													
	<b>M001020</b>	QR-CBC51	HRGS/UB	50W	10°	3000K	GU5,3	-	100																																																																																																																																													
	<b>M001220</b>	QR-CBC51	HRGS/UB	50W	24°	3000K	GU5,3	-	100																																																																																																																																													
	<b>M001010</b>	QR-CBC51	HRGS/UB	50W	36°	3000K	GU5,3	-	100																																																																																																																																													
	<b>M001300</b>	QR-CBC51	HRGS/UB	50W	60°	3000K	GU5,3	-	100																																																																																																																																													
		<table border="1"> <thead> <tr> <th>H</th> <th>Ø</th> <th>EMax</th> <th>EM</th> <th>H</th> <th>Ø</th> <th>EMax</th> <th>EM</th> <th>H</th> <th>Ø</th> <th>EMax</th> <th>EM</th> <th>H</th> <th>Ø</th> <th>EMax</th> <th>EM</th> </tr> <tr> <th>m</th> <th>m</th> <th>lux</th> <th>lux</th> <th>m</th> <th>m</th> <th>lux</th> <th>lux</th> <th>m</th> <th>m</th> <th>lux</th> <th>lux</th> <th>m</th> <th>m</th> <th>lux</th> <th>lux</th> </tr> </thead> <tbody> <tr> <td>1</td> <td>0,17</td> <td>14750</td> <td>7364</td> <td>1</td> <td>0,36</td> <td>5250</td> <td>2505</td> <td>1</td> <td>0,66</td> <td>2300</td> <td>988</td> <td>1</td> <td>1,07</td> <td>1110</td> <td>381</td> </tr> <tr> <td>2</td> <td>0,34</td> <td>3688</td> <td>1841</td> <td>2</td> <td>0,73</td> <td>1313</td> <td>626</td> <td>2</td> <td>1,32</td> <td>575</td> <td>247</td> <td>2</td> <td>2,14</td> <td>278</td> <td>95</td> </tr> <tr> <td>3</td> <td>0,50</td> <td>1639</td> <td>818</td> <td>3</td> <td>1,09</td> <td>583</td> <td>278</td> <td>3</td> <td>1,97</td> <td>256</td> <td>110</td> <td>3</td> <td>3,22</td> <td>123</td> <td>42</td> </tr> <tr> <td>4</td> <td>0,67</td> <td>922</td> <td>460</td> <td>4</td> <td>1,45</td> <td>328</td> <td>157</td> <td>4</td> <td>2,63</td> <td>144</td> <td>62</td> <td>4</td> <td>4,29</td> <td>69</td> <td>24</td> </tr> </tbody> </table>		H	Ø	EMax	EM	H	Ø	EMax	EM	H	Ø	EMax	EM	H	Ø	EMax	EM	m	m	lux	lux	m	m	lux	lux	m	m	lux	lux	m	m	lux	lux	1	0,17	14750	7364	1	0,36	5250	2505	1	0,66	2300	988	1	1,07	1110	381	2	0,34	3688	1841	2	0,73	1313	626	2	1,32	575	247	2	2,14	278	95	3	0,50	1639	818	3	1,09	583	278	3	1,97	256	110	3	3,22	123	42	4	0,67	922	460	4	1,45	328	157	4	2,63	144	62	4	4,29	69	24	QR-CBC51 50W 10°		QR-CBC51 50W 24°		QR-CBC51 50W 36°		QR-CBC51 50W 60°																																												
	H	Ø	EMax	EM	H	Ø	EMax	EM	H	Ø	EMax	EM	H	Ø	EMax	EM																																																																																																																																						
m	m	lux	lux	m	m	lux	lux	m	m	lux	lux	m	m	lux	lux																																																																																																																																							
1	0,17	14750	7364	1	0,36	5250	2505	1	0,66	2300	988	1	1,07	1110	381																																																																																																																																							
2	0,34	3688	1841	2	0,73	1313	626	2	1,32	575	247	2	2,14	278	95																																																																																																																																							
3	0,50	1639	818	3	1,09	583	278	3	1,97	256	110	3	3,22	123	42																																																																																																																																							
4	0,67	922	460	4	1,45	328	157	4	2,63	144	62	4	4,29	69	24																																																																																																																																							
	<b>M001175</b>	QR111	HMGS/UBIB	35W ECO	8°	3000K	G53	-	100																																																																																																																																													
	<b>M001180</b>	QR111	HMGS/UBIB	35W ECO	24°	3000K	G53	-	100																																																																																																																																													
	<b>M001185</b>	QR111	HMGS/UBIB	50W ECO	8°	3000K	G53	-	100																																																																																																																																													
	<b>M001195</b>	QR111	HMGS/UBIB	50W ECO	24°	3000K	G53	-	100																																																																																																																																													
	<b>M001330</b>	QR111	HMGS/UB	50W	8°	3000K	G53	-	100																																																																																																																																													
	<b>M001340</b>	QR111	HMGS/UB	50W	24°	3000K	G53	-	100																																																																																																																																													
	<b>M001310</b>	QR111	HMGS/UBIB	65W ECO	8°	3000K	G53	-	100																																																																																																																																													
	<b>M001395</b>	QR111	HMGS/UBIB	65W ECO	24°	3000K	G53	-	100																																																																																																																																													
	<b>M001365</b>	QR111	HMGS/UB	75W	8°	3000K	G53	-	100																																																																																																																																													
	<b>M001360</b>	QR111	HMGS/UB	75W	24°	3000K	G53	-	100																																																																																																																																													
	<b>M001370</b>	QR111	HMGS/UB	100W	8°	3000K	G53	-	100																																																																																																																																													
	<b>M001390</b>	QR111	HMGS/UB	100W	24°	3000K	G53	-	100																																																																																																																																													
		<table border="1"> <thead> <tr> <th>H</th> <th>Ø</th> <th>EMax</th> <th>EM</th> <th>H</th> <th>Ø</th> <th>EMax</th> <th>EM</th> <th>H</th> <th>Ø</th> <th>EMax</th> <th>EM</th> <th>H</th> <th>Ø</th> <th>EMax</th> <th>EM</th> <th>H</th> <th>Ø</th> <th>EMax</th> <th>EM</th> </tr> <tr> <th>m</th> <th>m</th> <th>lux</th> <th>lux</th> <th>m</th> <th>m</th> <th>lux</th> <th>lux</th> <th>m</th> <th>m</th> <th>lux</th> <th>lux</th> <th>m</th> <th>m</th> <th>lux</th> <th>lux</th> <th>m</th> <th>m</th> <th>lux</th> <th>lux</th> </tr> </thead> <tbody> <tr> <td>1</td> <td>0,12</td> <td>23091</td> <td>11634</td> <td>1</td> <td>0,40</td> <td>4007</td> <td>1929</td> <td>1</td> <td>0,13</td> <td>29992</td> <td>15195</td> <td>1</td> <td>0,41</td> <td>5299</td> <td>2505</td> <td>1</td> <td>0,12</td> <td>48000</td> <td>23900</td> <td>1</td> <td>0,40</td> <td>8500</td> <td>4044</td> </tr> <tr> <td>2</td> <td>0,24</td> <td>5773</td> <td>2908</td> <td>2</td> <td>0,80</td> <td>1002</td> <td>482</td> <td>2</td> <td>0,25</td> <td>7498</td> <td>3799</td> <td>2</td> <td>0,81</td> <td>1325</td> <td>626</td> <td>2</td> <td>0,24</td> <td>12000</td> <td>5975</td> <td>2</td> <td>0,79</td> <td>2125</td> <td>1011</td> </tr> <tr> <td>3</td> <td>0,37</td> <td>2566</td> <td>1293</td> <td>3</td> <td>1,20</td> <td>445</td> <td>214</td> <td>3</td> <td>0,38</td> <td>3332</td> <td>1688</td> <td>3</td> <td>1,22</td> <td>589</td> <td>278</td> <td>3</td> <td>0,36</td> <td>5333</td> <td>2656</td> <td>3</td> <td>1,19</td> <td>944</td> <td>449</td> </tr> <tr> <td>4</td> <td>0,49</td> <td>1443</td> <td>727</td> <td>4</td> <td>1,60</td> <td>250</td> <td>121</td> <td>4</td> <td>0,50</td> <td>1874</td> <td>950</td> <td>4</td> <td>1,63</td> <td>331</td> <td>157</td> <td>4</td> <td>0,48</td> <td>3000</td> <td>1494</td> <td>4</td> <td>1,58</td> <td>531</td> <td>253</td> </tr> </tbody> </table>		H	Ø	EMax	EM	H	Ø	EMax	EM	H	Ø	EMax	EM	H	Ø	EMax	EM	H	Ø	EMax	EM	m	m	lux	lux	m	m	lux	lux	m	m	lux	lux	m	m	lux	lux	m	m	lux	lux	1	0,12	23091	11634	1	0,40	4007	1929	1	0,13	29992	15195	1	0,41	5299	2505	1	0,12	48000	23900	1	0,40	8500	4044	2	0,24	5773	2908	2	0,80	1002	482	2	0,25	7498	3799	2	0,81	1325	626	2	0,24	12000	5975	2	0,79	2125	1011	3	0,37	2566	1293	3	1,20	445	214	3	0,38	3332	1688	3	1,22	589	278	3	0,36	5333	2656	3	1,19	944	449	4	0,49	1443	727	4	1,60	250	121	4	0,50	1874	950	4	1,63	331	157	4	0,48	3000	1494	4	1,58	531	253	QR111 50W 8°		QR111 50W 24°		QR111 75W 8°		QR111 75W 24°		QR111 100W 8°		QR111 100W 24°
H	Ø	EMax	EM	H	Ø	EMax	EM	H	Ø	EMax	EM	H	Ø	EMax	EM	H	Ø	EMax	EM																																																																																																																																			
m	m	lux	lux	m	m	lux	lux	m	m	lux	lux	m	m	lux	lux	m	m	lux	lux																																																																																																																																			
1	0,12	23091	11634	1	0,40	4007	1929	1	0,13	29992	15195	1	0,41	5299	2505	1	0,12	48000	23900	1	0,40	8500	4044																																																																																																																															
2	0,24	5773	2908	2	0,80	1002	482	2	0,25	7498	3799	2	0,81	1325	626	2	0,24	12000	5975	2	0,79	2125	1011																																																																																																																															
3	0,37	2566	1293	3	1,20	445	214	3	0,38	3332	1688	3	1,22	589	278	3	0,36	5333	2656	3	1,19	944	449																																																																																																																															
4	0,49	1443	727	4	1,60	250	121	4	0,50	1874	950	4	1,63	331	157	4	0,48	3000	1494	4	1,58	531	253																																																																																																																															

## LINEAR FLUORESCENT LAMPS

	CODE	LBS	ILCOS L	WATTAGE	BEAM	COLOUR T	SOCKET	LM	CRI	SPECIFICITIES
	<b>M004810</b>	T16-SEAMLESS	FDH-28	28W	-	3000K	G5	2600lm	85	HE-FH
	<b>M004815</b>	T16-SEAMLESS	FDH-28	28W	-	4000K	G5	2600lm	85	HE-FH
	<b>M004800</b>	T16-SEAMLESS	FDH-54	54W	-	3000K	G5	4450lm	85	HO-FQ
	<b>M004805</b>	T16-SEAMLESS	FDH-54	54W	-	4000K	G5	4450lm	85	HO-FQ
	<b>M004300</b>	T16	FDH-14	14W	-	3000K	G5	1200lm	85	HE-FH
	<b>M004305</b>	T16	FDH-14	14W	-	4000K	G5	1200lm	85	HE-FH
	<b>M004340</b>	T16	FDH-21	21W	-	3000K	G5	1900lm	85	HE-FH
	<b>M004370</b>	T16	FDH-24	24W	-	3000K	G5	1750lm	85	HO-FQ
	<b>M004371</b>	T16	FDH-24	24W	-	4000K	G5	1750lm	85	HO-FQ
	<b>M004280</b>	T16	FDH-28	28W	-	3000K	G5	2600lm	85	HE-FH
	<b>M004325</b>	T16	FDH-28	28W	-	4000K	G5	2600lm	85	HE-FH
	<b>M004290</b>	T16	FDH-35	35W	-	3000K	G5	3300lm	85	HE-FH
	<b>M004295</b>	T16	FDH-35	35W	-	4000K	G5	3300lm	85	HE-FH
	<b>M004380</b>	T16	FDH-39	39W	-	3000K	G5	3100lm	85	HO-FQ
	<b>M004381</b>	T16	FDH-39	39W	-	4000K	G5	3100lm	85	HO-FQ
	<b>M004350</b>	T16	FDH-54	54W	-	3000K	G5	4450lm	85	HO-FQ
	<b>M004355</b>	T16	FDH-54	54W	-	4000K	G5	4450lm	85	HO-FQ
	<b>M004360</b>	T16	FDH-80	80W	-	3000K	G5	6150lm	85	HO-FQ
	<b>M004365</b>	T16	FDH-80	80W	-	4000K	G5	6150lm	85	HO-FQ

## COMPACT FLUORESCENT LAMPS

	CODE	LBS	ILCOS L	WATTAGE	BEAM	COLOUR T	SOCKET	LM	CRI
	<b>M004630</b>	TC-DEL	FSQ-13	13W	-	3000K	G24q-1	900lm	85
	<b>M004188</b>	TC-DEL	FSQ-18	18W	-	3000K	G24q-2	1200lm	85
	<b>M004181</b>	TC-DEL	FSQ-26	26W	-	3000K	G24q-3	1800lm	85
	<b>M004035</b>	TC-TEL	FSM-14	14W	-	3000K	GR14q-1	1200lm	85
	<b>M004031</b>	TC-TEL	FSM-17	17W	-	3000K	GR14q-1	1500lm	85
	<b>M004140</b>	TC-LEL	FSD-18	18W	-	3000K	2G11	1200lm	85
	<b>M004190</b>	TC-LEL	FSD-36	36W	-	3000K	2G11	2900lm	85
	<b>M004400</b>	TC-LEL	FSDH-55	55W	-	3000K	2G11	4800lm	85
	<b>M004660</b>	TC-LEL	FSDH-80	80W	-	3000K	2G11	6000lm	85
	<b>M004570</b>	TC-TEL	FSM-18	18W	-	3000K	GX24q-2	1200lm	85
	<b>M004420</b>	TC-TEL	FSM-32	32W	-	3000K	GX24q-3	2400lm	85
	<b>M004410</b>	TC-TEL	FSM-42	42W	-	3000K	GX24q-4	3200lm	85
	<b>M004060</b>	TC-FEL	SFS-36	36W	-	3000K	2G10	2800lm	85
	<b>M004500</b>	T16-R	SFCH-22	22W	-	3000K	2GX13	1800lm	85
	<b>M004230</b>	TC-DDELI	SFS-55	55W	-	3500K	GR10q3	3900lm	85

# DISCHARGE LAMPS METAL HALIDE

	CODE	LBS	ILCOS L	WATTAGE	BEAM	COLOUR T	SOCKET	LM	CRI																																																																																																																					
	<b>M004835</b>	HIT-TC-CE	MT/UB-20	20W	-	3000K	GU6,5	1700lm	80-85																																																																																																																					
	<b>M004830</b>	HIT-TC-CE	MT/UB-35	35W	-	3000K	GU6,5	3400lm	80-85																																																																																																																					
	<b>M003260</b>	HIT-DE-CE-h45	MD/UB-70	70W	-	3000K	RX7s	6300lm	80-85																																																																																																																					
	<b>M003270</b>	HIT-DE-CE-h45	MD/UB-150	150W	-	3000K	RX7s	13500lm	80-85																																																																																																																					
	<b>M003020</b>	HIT-DE-CE-h45	MD/UB-250	250W	-	3000K	Fc2	20000lm	80-85																																																																																																																					
	<b>M003080</b>	HIT-TC-CE	MT/UB-20	20W	-	3000K	G8,5	1700lm	80-85																																																																																																																					
	<b>M003030</b>	HIT-TC-CE	MT/UB-35	35W	-	3000K	G8,5	3400lm	80-85																																																																																																																					
	<b>M003090</b>	HIT-TC-CE	MT/UB-70	70W	-	3000K	G8,5	6600lm	80-85																																																																																																																					
	<b>M003165</b>	HIT-CE	MT/UB-35	35W	-	3000K	G12	3300lm	80-85																																																																																																																					
	<b>M003150</b>	HIT-CE	MT/UB-70	70W	-	3000K	G12	6600lm	80-85																																																																																																																					
	<b>M003155</b>	HIT-CE	MT/UB-70	70W	-	4200K	G12	6600lm	80-85																																																																																																																					
	<b>M003160</b>	HIT-CE	MT/UB-150	150W	-	3000K	G12	14000lm	80-85																																																																																																																					
	<b>M003320</b>	HIPAR51-CE-P	MRS/UB-20	20W	10°	3000K	GX10	-	80-85																																																																																																																					
	<b>M003330</b>	HIPAR51-CE-P	MRS/UB-20	20W	25°	3000K	GX10	-	80-85																																																																																																																					
	<b>M003340</b>	HIPAR51-CE-P	MRS/UB-20	20W	40°	3000K	GX10	-	80-85																																																																																																																					
	<b>M003275</b>	HIPAR51-CE-P	MRS/UB-35	35W	12°	3000K	GX10	-	80-85																																																																																																																					
	<b>M003280</b>	HIPAR51-CE-P	MRS/UB-35	35W	25°	3000K	GX10	-	80-85																																																																																																																					
	<b>M003290</b>	HIPAR51-CE-P	MRS/UB-35	35W	40°	3000K	GX10	-	80-85																																																																																																																					
	<table border="1"> <thead> <tr> <th>H m</th> <th>Ø m</th> <th>EMax lux</th> <th>EM lux</th> <th>H m</th> <th>Ø m</th> <th>EMax lux</th> <th>EM lux</th> <th>H m</th> <th>Ø m</th> <th>EMax lux</th> <th>EM lux</th> <th>H m</th> <th>Ø m</th> <th>EMax lux</th> <th>EM lux</th> <th>H m</th> <th>Ø m</th> <th>EMax lux</th> <th>EM lux</th> </tr> </thead> <tbody> <tr> <td>1</td> <td>0,17</td> <td>11007</td> <td>5533</td> <td>1</td> <td>0,42</td> <td>3500</td> <td>1668</td> <td>1</td> <td>0,76</td> <td>1749</td> <td>719</td> <td>1</td> <td>0,21</td> <td>36520</td> <td>18038</td> <td>1</td> <td>0,49</td> <td>13102</td> <td>5994</td> <td>1</td> <td>0,76</td> <td>7128</td> <td>2936</td> </tr> <tr> <td>2</td> <td>0,35</td> <td>2752</td> <td>1383</td> <td>2</td> <td>0,84</td> <td>875</td> <td>417</td> <td>2</td> <td>1,52</td> <td>437</td> <td>180</td> <td>2</td> <td>0,43</td> <td>9130</td> <td>4509</td> <td>2</td> <td>0,99</td> <td>3275</td> <td>1499</td> <td>2</td> <td>1,52</td> <td>1782</td> <td>734</td> </tr> <tr> <td>3</td> <td>0,52</td> <td>1223</td> <td>615</td> <td>3</td> <td>1,26</td> <td>389</td> <td>185</td> <td>3</td> <td>2,28</td> <td>194</td> <td>80</td> <td>3</td> <td>0,64</td> <td>4058</td> <td>2004</td> <td>3</td> <td>1,48</td> <td>1456</td> <td>666</td> <td>3</td> <td>2,28</td> <td>792</td> <td>326</td> </tr> <tr> <td>4</td> <td>0,70</td> <td>688</td> <td>346</td> <td>4</td> <td>1,69</td> <td>219</td> <td>104</td> <td>4</td> <td>3,04</td> <td>109</td> <td>45</td> <td>4</td> <td>0,85</td> <td>2283</td> <td>1127</td> <td>4</td> <td>1,98</td> <td>819</td> <td>375</td> <td>4</td> <td>3,04</td> <td>446</td> <td>184</td> </tr> </tbody> </table>										H m	Ø m	EMax lux	EM lux	H m	Ø m	EMax lux	EM lux	H m	Ø m	EMax lux	EM lux	H m	Ø m	EMax lux	EM lux	H m	Ø m	EMax lux	EM lux	1	0,17	11007	5533	1	0,42	3500	1668	1	0,76	1749	719	1	0,21	36520	18038	1	0,49	13102	5994	1	0,76	7128	2936	2	0,35	2752	1383	2	0,84	875	417	2	1,52	437	180	2	0,43	9130	4509	2	0,99	3275	1499	2	1,52	1782	734	3	0,52	1223	615	3	1,26	389	185	3	2,28	194	80	3	0,64	4058	2004	3	1,48	1456	666	3	2,28	792	326	4	0,70	688	346	4	1,69	219	104	4	3,04	109	45	4	0,85	2283	1127	4	1,98	819	375	4	3,04	446	184
	H m	Ø m	EMax lux	EM lux	H m	Ø m	EMax lux	EM lux	H m	Ø m	EMax lux	EM lux	H m	Ø m	EMax lux	EM lux	H m	Ø m	EMax lux	EM lux																																																																																																										
	1	0,17	11007	5533	1	0,42	3500	1668	1	0,76	1749	719	1	0,21	36520	18038	1	0,49	13102	5994	1	0,76	7128	2936																																																																																																						
	2	0,35	2752	1383	2	0,84	875	417	2	1,52	437	180	2	0,43	9130	4509	2	0,99	3275	1499	2	1,52	1782	734																																																																																																						
3	0,52	1223	615	3	1,26	389	185	3	2,28	194	80	3	0,64	4058	2004	3	1,48	1456	666	3	2,28	792	326																																																																																																							
4	0,70	688	346	4	1,69	219	104	4	3,04	109	45	4	0,85	2283	1127	4	1,98	819	375	4	3,04	446	184																																																																																																							
HIPAR51-CE-P 20W 10°			HIPAR51-CE-P 20W 25°			HIPAR51-CE-P 20W 40°			HIPAR51-CE-P 35W 12°			HIPAR51-CE-P 35W 25°			HIPAR51-CE-P 35W 40°																																																																																																															
	<b>M003310</b>	HIR111-CE-P	MRS/UB-35	35W	10°	3000K	GX8,5	-	80-85																																																																																																																					
	<b>M003170</b>	HIR111-CE-P	MRS/UB-35	35W	24°	3000K	GX8,5	-	80-85																																																																																																																					
	<b>M003190</b>	HIR111-CE-P	MRS/UB-35	35W	40°	3000K	GX8,5	-	80-85																																																																																																																					
	<b>M003185</b>	HIR111-CE-P	MRS/UB-70	70W	10°	2900K	GX8,5	-	80-85																																																																																																																					
	<b>M003175</b>	HIR111-CE-P	MRS/UB-70	70W	24°	2900K	GX8,5	-	80-85																																																																																																																					
	<b>M003178</b>	HIR111-CE-P	MRS/UB-70	70W	40°	3000K	GX8,5	-	80-85																																																																																																																					
<table border="1"> <thead> <tr> <th>H m</th> <th>Ø m</th> <th>EMax lux</th> <th>EM lux</th> <th>H m</th> <th>Ø m</th> <th>EMax lux</th> <th>EM lux</th> <th>H m</th> <th>Ø m</th> <th>EMax lux</th> <th>EM lux</th> <th>H m</th> <th>Ø m</th> <th>EMax lux</th> <th>EM lux</th> <th>H m</th> <th>Ø m</th> <th>EMax lux</th> <th>EM lux</th> </tr> </thead> <tbody> <tr> <td>1</td> <td>0,15</td> <td>36401</td> <td>18265</td> <td>1</td> <td>0,37</td> <td>8385</td> <td>4009</td> <td>1</td> <td>0,69</td> <td>4450</td> <td>1887</td> <td>1</td> <td>0,17</td> <td>55197</td> <td>27849</td> <td>1</td> <td>0,41</td> <td>13953</td> <td>6578</td> <td>1</td> <td>0,62</td> <td>8969</td> <td>3904</td> </tr> <tr> <td>2</td> <td>0,30</td> <td>9100</td> <td>4566</td> <td>2</td> <td>0,75</td> <td>2096</td> <td>1002</td> <td>2</td> <td>1,38</td> <td>1113</td> <td>472</td> <td>2</td> <td>0,34</td> <td>13799</td> <td>6962</td> <td>2</td> <td>0,83</td> <td>3488</td> <td>1644</td> <td>2</td> <td>1,25</td> <td>2242</td> <td>976</td> </tr> <tr> <td>3</td> <td>0,45</td> <td>4045</td> <td>2029</td> <td>3</td> <td>1,12</td> <td>932</td> <td>445</td> <td>3</td> <td>2,07</td> <td>494</td> <td>210</td> <td>3</td> <td>0,50</td> <td>6133</td> <td>3094</td> <td>3</td> <td>1,24</td> <td>1550</td> <td>731</td> <td>3</td> <td>1,87</td> <td>997</td> <td>434</td> </tr> <tr> <td>4</td> <td>0,60</td> <td>2275</td> <td>1142</td> <td>4</td> <td>1,50</td> <td>524</td> <td>251</td> <td>4</td> <td>2,75</td> <td>278</td> <td>118</td> <td>4</td> <td>0,67</td> <td>3450</td> <td>1741</td> <td>4</td> <td>1,66</td> <td>872</td> <td>411</td> <td>4</td> <td>2,49</td> <td>561</td> <td>244</td> </tr> </tbody> </table>										H m	Ø m	EMax lux	EM lux	H m	Ø m	EMax lux	EM lux	H m	Ø m	EMax lux	EM lux	H m	Ø m	EMax lux	EM lux	H m	Ø m	EMax lux	EM lux	1	0,15	36401	18265	1	0,37	8385	4009	1	0,69	4450	1887	1	0,17	55197	27849	1	0,41	13953	6578	1	0,62	8969	3904	2	0,30	9100	4566	2	0,75	2096	1002	2	1,38	1113	472	2	0,34	13799	6962	2	0,83	3488	1644	2	1,25	2242	976	3	0,45	4045	2029	3	1,12	932	445	3	2,07	494	210	3	0,50	6133	3094	3	1,24	1550	731	3	1,87	997	434	4	0,60	2275	1142	4	1,50	524	251	4	2,75	278	118	4	0,67	3450	1741	4	1,66	872	411	4	2,49	561	244	
H m	Ø m	EMax lux	EM lux	H m	Ø m	EMax lux	EM lux	H m	Ø m	EMax lux	EM lux	H m	Ø m	EMax lux	EM lux	H m	Ø m	EMax lux	EM lux																																																																																																											
1	0,15	36401	18265	1	0,37	8385	4009	1	0,69	4450	1887	1	0,17	55197	27849	1	0,41	13953	6578	1	0,62	8969	3904																																																																																																							
2	0,30	9100	4566	2	0,75	2096	1002	2	1,38	1113	472	2	0,34	13799	6962	2	0,83	3488	1644	2	1,25	2242	976																																																																																																							
3	0,45	4045	2029	3	1,12	932	445	3	2,07	494	210	3	0,50	6133	3094	3	1,24	1550	731	3	1,87	997	434																																																																																																							
4	0,60	2275	1142	4	1,50	524	251	4	2,75	278	118	4	0,67	3450	1741	4	1,66	872	411	4	2,49	561	244																																																																																																							
HIR111-CE-P 35W 10°			HIR111-CE-P 35W 24°			HIR111-CE-P 35W 40°			HIR111-CE-P 70W 10°			HIR111-CE-P 70W 24°			HIR111-CE-P 70W 40°																																																																																																															

# PROJECTORS

## ERMES 155 HIT



page 49



HIT-CE (G12)

70W = 6600lm  
150W = 14000lm

70W					150W				
H m	Ø m	EMax lux	EM lux		H m	Ø m	EMax lux	EM lux	
1	0,44	19810	9700		1	0,58	26348	13829	
2	0,88	4952	2425		2	1,17	6587	3457	
3	1,32	2201	1078		3	1,75	2928	1537	
4	1,76	1238	606		4	2,34	1647	864	
5	2,20	792	388		5	2,92	1054	553	
Cd/Klm					Cd/Klm				
$\alpha = 2 \times 12^\circ$					$\alpha = 2 \times 16^\circ$				

## FOCAL TRACK/CEILING



page 36



HIT-CE (G12)

35W = 3300lm  
70W = 6600lm  
150W = 14000lm

35W					70W					150W				
H m	Ø m	EMax lux	EM lux		H m	Ø m	EMax lux	EM lux		H m	Ø m	EMax lux	EM lux	
1	0,13	57885	29022		1	0,13	115889	57682		1	0,13	245826	122356	
2	0,27	14471	7255		2	0,27	28972	14421		2	0,27	61457	30589	
3	0,40	6432	3225		3	0,40	12877	6409		3	0,40	27314	13595	
4	0,53	3618	1814		4	0,53	7243	3605		4	0,53	15364	7647	
5	0,66	2315	1161		5	0,66	4636	2307		5	0,66	9833	4894	
Cd/Klm					Cd/Klm					Cd/Klm				
$\alpha = 2 \times 4^\circ$					$\alpha = 2 \times 4^\circ$					$\alpha = 2 \times 4^\circ$				

35W					70W					150W				
H m	Ø m	EMax lux	EM lux		H m	Ø m	EMax lux	EM lux		H m	Ø m	EMax lux	EM lux	
1	0,31	9569	4628		1	0,34	18965	9131		1	0,34	40229	19369	
2	0,62	2392	1157		2	0,68	4741	2283		2	0,68	10057	4842	
3	0,93	1063	514		3	1,01	2107	1015		3	1,01	4470	2152	
4	1,24	598	289		4	1,35	1185	571		4	1,35	2514	1211	
5	1,55	383	185		5	1,69	759	365		5	1,69	1609	775	
Cd/Klm					Cd/Klm					Cd/Klm				
$\alpha = 2 \times 10^\circ$					$\alpha = 2 \times 9^\circ$					$\alpha = 2 \times 10^\circ$				

35W					70W					150W				
H m	Ø m	EMax lux	EM lux		H m	Ø m	EMax lux	EM lux		H m	Ø m	EMax lux	EM lux	
1	0,98	1347	1023		1	1,08	3592	1764		1	1,08	7620	3743	
2	1,97	337	256		2	2,15	898	441		2	2,15	1905	936	
3	2,95	150	114		3	3,23	399	196		3	3,23	847	416	
4	3,94	84	64		4	4,31	225	110		4	4,31	476	234	
5	4,92	54	41		5	5,38	144	71		5	5,38	305	150	
Cd/Klm					Cd/Klm					Cd/Klm				
$\alpha = 2 \times 26^\circ$					$\alpha = 2 \times 28^\circ$					$\alpha = 2 \times 28^\circ$				

## FOCAL TRACK/CEILING



page 36



HIT-TC-CE (G8,5)

70W = 6600lm

70W					70W				
H m	Ø m	EMax lux	EM lux		H m	Ø m	EMax lux	EM lux	
1	0,13	115889	57682		1	0,31	9569	4628	
2	0,27	28972	14421		2	0,62	2392	1157	
3	0,40	12877	6409		3	0,93	1063	514	
4	0,53	7243	3605		4	1,24	598	289	
5	0,66	4636	2307		5	1,55	383	185	
Cd/Klm					Cd/Klm				
$\alpha = 2 \times 4^\circ$					$\alpha = 2 \times 10^\circ$				

70W				
H m	Ø m	EMax lux	EM lux	
1	1,08	3592	1764	
2	2,15	898	441	
3	3,23	399	196	
4	4,31	225	110	
5	5,38	144	71	
Cd/Klm				
$\alpha = 2 \times 28^\circ$				

### OTO 80 HIT



page 43

HIT-TC-CE (G8,5)  
35W = 3300lm

-90° 90°				-90° 90°			
H m	Ø m	EMax lux	EM lux	H m	Ø m	EMax lux	EM lux
1	0,33	5981	2875	1	0,60	2388	1051
2	0,66	1495	719	2	1,21	597	263
3	0,98	665	319	3	1,81	265	117
4	1,31	374	180	4	2,42	149	66
5	1,64	239	115	5	3,02	96	42
35W Cd/Klm $\alpha = 2 \times 10^\circ$				35W Cd/Klm $\alpha = 2 \times 17^\circ$			

### OTO 130 HIT



page 45

HIT-CE (G12)  
70W = 6600lm  
150W = 14000lm

-90° 90°				-90° 90°			
H m	Ø m	EMax lux	EM lux	H m	Ø m	EMax lux	EM lux
1	0,52	7001	3185	1	1,01	4490	1593
2	1,03	1750	796	2	2,03	1122	398
3	1,55	778	354	3	3,04	499	177
4	2,07	438	199	4	4,06	281	100
5	2,59	280	127	5	5,07	180	64
70W Cd/Klm $\alpha = 2 \times 15^\circ$				70W Cd/Klm $\alpha = 2 \times 27^\circ$			

-90° 90°				-90° 90°			
H m	Ø m	EMax lux	EM lux	H m	Ø m	EMax lux	EM lux
1	0,56	11441	5114	1	1,09	7496	2546
2	1,12	2860	1279	2	2,17	1874	637
3	1,69	1271	568	3	3,26	833	283
4	2,25	715	320	4	4,34	468	159
5	2,81	458	205	5	5,43	300	102
150W Cd/Klm $\alpha = 2 \times 16^\circ$				150W Cd/Klm $\alpha = 2 \times 29^\circ$			

### PAD 230V



page 28

LED  
MONOCHROMATIC  
Luminous flux of the luminaire:  
13W/2x5° = 710lm  
13W/2x10° = 734lm  
13W/2x20° = 757lm

-90° 90°				-90° 90°			
H m	Ø m	EMax lux	EM lux	H m	Ø m	EMax lux	EM lux
1	0,22	8476	4191	1	0,41	3308	1572
2	0,43	2119	1048	2	0,81	827	393
3	0,65	942	466	3	1,22	368	175
4	0,87	530	262	4	1,63	207	98
5	1,09	339	168	5	2,03	132	63
Cd/Klm $\alpha = 2 \times 5^\circ$				Cd/Klm $\alpha = 2 \times 11^\circ$			

-90° 90°			
H m	Ø m	EMax lux	EM lux
1	0,68	1526	651
2	1,37	382	163
3	2,05	170	72
4	2,74	95	41
5	3,42	61	26
Cd/Klm $\alpha = 2 \times 19^\circ$			

**PICTO 70 HIT**



page 20

HIT-TC-CE (GU6,5)  
20W = 1700lm  
35W = 3400lm

20W SP				35W SP			
H m	Ø m	EMax lux	EM lux	H m	Ø m	EMax lux	EM lux
1	0,28	7906	3858	1	0,24	14073	6927
2	0,56	1976	964	2	0,48	3518	1732
3	0,84	878	429	3	0,72	1564	770
4	1,12	494	241	4	0,95	880	433
5	1,41	316	154	5	1,19	563	277

20W MFL				35W MFL			
H m	Ø m	EMax lux	EM lux	H m	Ø m	EMax lux	EM lux
1	0,41	4113	1940	1	0,44	5828	2726
2	0,83	1028	485	2	0,87	1457	682
3	1,24	457	216	3	1,31	648	303
4	1,66	257	121	4	1,74	364	170
5	2,07	165	78	5	2,18	233	109

20W FL				35W FL			
H m	Ø m	EMax lux	EM lux	H m	Ø m	EMax lux	EM lux
1	0,67	2355	1008	1	0,72	3060	1277
2	1,35	589	252	2	1,45	765	319
3	2,02	262	112	3	2,17	340	142
4	2,69	147	63	4	2,90	191	80
5	3,37	94	40	5	3,62	122	51

**PICTO 70 LED**



page 20

LED  
MONOCHROMATIC  
Luminous flux  
of the luminaire:  
8W/3000K = 485lm  
8W/4100K = 536lm

8W SP				8W WFL			
H m	Ø m	EMax lux	EM lux	H m	Ø m	EMax lux	EM lux
1	0,35	1953	941	1	0,35	2155	1038
2	0,69	488	235	2	0,69	539	259
3	1,04	217	105	3	1,04	239	115
4	1,38	122	59	4	1,38	135	65
5	1,73	78	38	5	1,73	86	42

8W SP				8W WFL			
H m	Ø m	EMax lux	EM lux	H m	Ø m	EMax lux	EM lux
1	0,85	818	320	1	0,85	902	353
2	1,71	204	80	2	1,71	226	88
3	2,56	91	36	3	2,56	100	39
4	3,41	51	20	4	3,41	56	22
5	4,27	33	13	5	4,27	36	14

**PICTO 100 HIT**



page 21

HIT-TC-CE (G8,5)  
35W = 3400lm  
70W = 6600lm

35W SP				70W SP			
H m	Ø m	EMax lux	EM lux	H m	Ø m	EMax lux	EM lux
1	0,16	32751	16379	1	0,21	43380	21521
2	0,32	8188	4095	2	0,42	10845	5380
3	0,48	3639	1820	3	0,63	4820	2391
4	0,64	2047	1024	4	0,84	2711	1345
5	0,80	1310	655	5	1,05	1735	861

35W MFL					70W MFL				
H m	Ø m	EMax lux	EM lux		H m	Ø m	EMax lux	EM lux	
1	0,45	9356	4469		1	0,45	18713	8937	
2	0,90	2339	1117		2	0,90	4678	2234	
3	1,35	1040	497		3	1,35	2079	993	
4	1,80	585	279		4	1,80	1170	559	
5	2,25	374	179		5	2,25	749	357	
<b>Cd/Klm</b>				$\alpha = 2 \times 13^\circ$	<b>Cd/Klm</b>				$\alpha = 2 \times 13^\circ$

35W FL					70W FL				
H m	Ø m	EMax lux	EM lux		H m	Ø m	EMax lux	EM lux	
1	0,58	5762	2568		1	0,63	10437	4558	
2	1,17	1441	642		2	1,25	2609	1139	
3	1,75	640	285		3	1,88	1160	506	
4	2,34	360	161		4	2,51	652	285	
5	2,92	230	103		5	3,13	417	182	
<b>Cd/Klm</b>				$\alpha = 2 \times 17^\circ$	<b>Cd/Klm</b>				$\alpha = 2 \times 17^\circ$

35W WFL					70W WFL				
H m	Ø m	EMax lux	EM lux		H m	Ø m	EMax lux	EM lux	
1	0,74	3748	1554		1	0,83	6594	2607	
2	1,48	937	388		2	1,67	1649	652	
3	2,22	416	173		3	2,50	733	290	
4	2,96	234	97		4	3,33	412	163	
5	3,70	150	62		5	4,16	264	104	
<b>Cd/Klm</b>				$\alpha = 2 \times 21^\circ$	<b>Cd/Klm</b>				$\alpha = 2 \times 23^\circ$

### PICTO 100 LED



page 22



LED  
MONOCHROMATIC  
Luminous flux  
of the luminaire:

19W/3000K = 913lm  
19W/4100K = 1025lm

19W SP					19W FL						
H m	Ø m	EMax lux	EM lux		H m	Ø m	EMax lux	EM lux			
1	0,30	7104	3466		1	0,30	7970	3889			
2	0,59	1776	866		2	0,59	1992	972			
3	0,89	789	385		3	0,89	886	432			
4	1,18	444	217		4	1,18	498	243			
5	1,48	284	139		5	1,48	319	156			
<b>Cd/Klm</b>				WARM WHITE	$\alpha = 2 \times 8^\circ$	<b>Cd/Klm</b>				NEUTRAL WHITE	$\alpha = 2 \times 8^\circ$

19W SP					19W FL						
H m	Ø m	EMax lux	EM lux		H m	Ø m	EMax lux	EM lux			
1	0,72	2136	899		1	0,72	2395	1008			
2	1,43	534	225		2	1,43	599	252			
3	2,15	237	100		3	2,15	266	112			
4	2,86	133	56		4	2,86	150	63			
5	3,58	85	36		5	3,58	96	40			
<b>Cd/Klm</b>				WARM WHITE	$\alpha = 2 \times 20^\circ$	<b>Cd/Klm</b>				NEUTRAL WHITE	$\alpha = 2 \times 20^\circ$

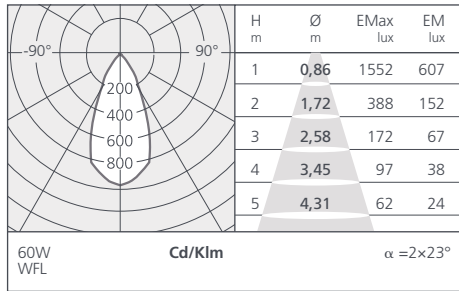
### PICTO 100 HALO



page 21

QT12-UVr-ax (GY6,35)  
60W ECO = 1650lm

60W SP					60W FL				
H m	Ø m	EMax lux	EM lux		H m	Ø m	EMax lux	EM lux	
1	0,13	32130	16261		1	0,61	2725	1270	
2	0,25	8033	4065		2	1,22	681	318	
3	0,38	3570	1807		3	1,83	303	141	
4	0,50	2008	1016		4	2,45	170	79	
5	0,63	1285	650		5	3,06	109	51	
<b>Cd/Klm</b>				$\alpha = 2 \times 7^\circ$	<b>Cd/Klm</b>				$\alpha = 2 \times 17^\circ$



## PICTO 125 HIT



page 23

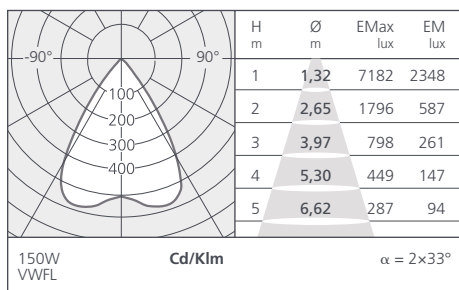
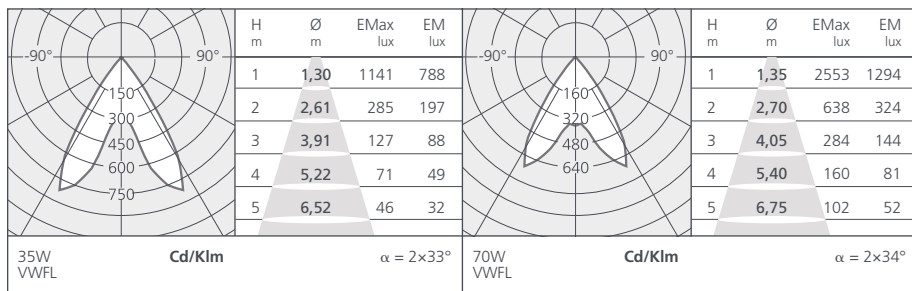
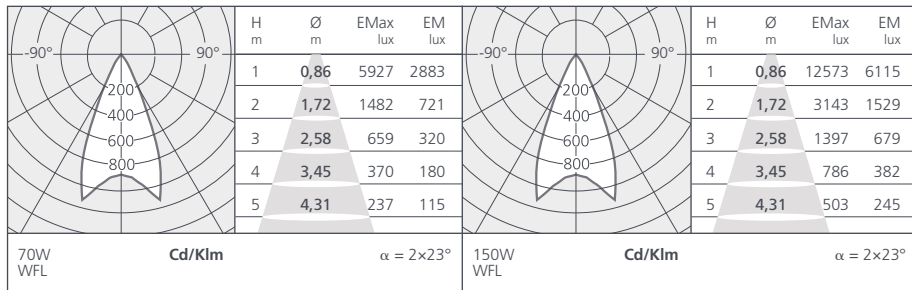
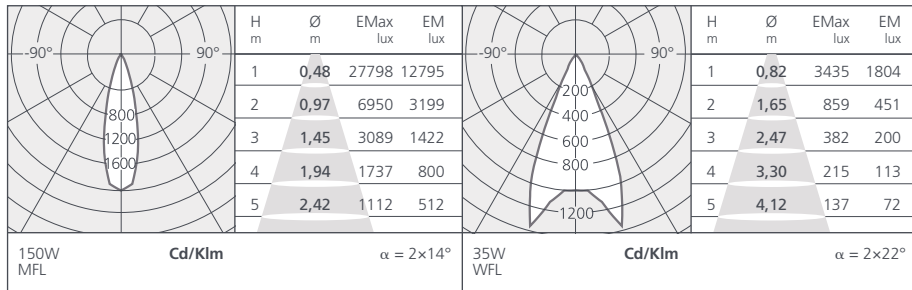
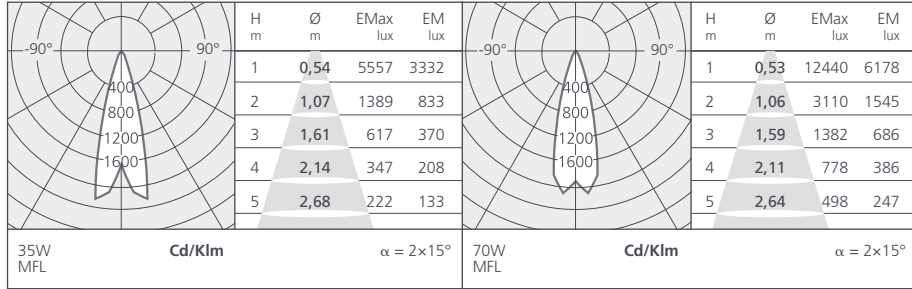


HIT-CE (G12)

35W = 3300lm

70W = 6600lm

150W = 14000lm



## PICTO 125 LED



page 23



LED  
MONOCHROMATIC  
Luminous flux  
of the luminaire:  
33W/FL = 1174lm  
33W/MFL = 1242lm

H m	Ø m	EMax lux	EM lux	H m	Ø m	EMax lux	EM lux
1	0,67	2305	990	1	0,34	7924	3801
2	1,35	576	248	2	0,68	1981	950
3	2,02	256	110	3	1,01	880	422
4	2,69	144	62	4	1,35	495	238
5	3,37	92	40	5	1,69	317	152

33W FL	<b>Cd/Klm</b>	$\alpha = 2 \times 19^\circ$	33W MFL	<b>Cd/Klm</b>	$\alpha = 2 \times 10^\circ$
-----------	---------------	------------------------------	------------	---------------	------------------------------

## RECESSED DOWNLIGHTS

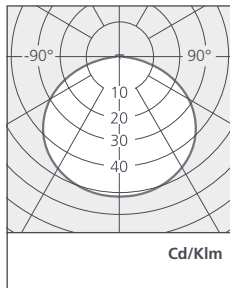
### ANDROMEDA RECESSED 300x300



page 101



T16-R (2Gx13)  
22W = 1800lm

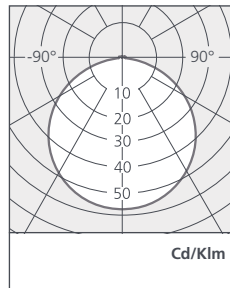


### ANDROMEDA RECESSED 300x600



page 101

T16-HO/FQ (G5)  
24W = 1750lm

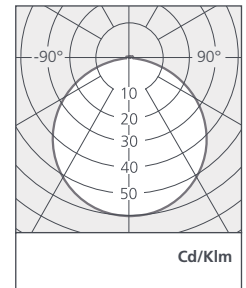


### ANDROMEDA RECESSED 300x900



page 102

T16-HE/FH (G5)  
21W = 1900lm

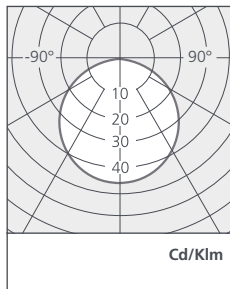


### ANDROMEDA RECESSED 300x1200



page 102

T16-HE/FH (G5)  
28W = 2600lm

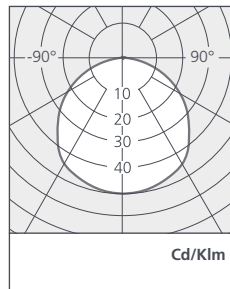


### ANDROMEDA RECESSED 600x600



page 103

T16-HO/FQ (G5)  
24W = 1750lm



## AYRTON 156



page 161



HIT-CE (G12)  
70W = 6600lm

H m	Ø m	EMax lux	EM lux
1	1,43	2860	770
2	2,86	715	193
3	4,30	318	86
4	5,73	179	48
5	7,16	114	31

<b>Cd/Klm</b>	$\alpha = 2 \times 35^\circ$
---------------	------------------------------

## JAVA 172 SYSTEM HIT



page 74-75



HIT-CE (G12)  
35W = 3300lm  
70W = 6600lm  
150W = 14000lm

H m	Ø m	EMax lux	EM lux	H m	Ø m	EMax lux	EM lux
1	0,54	5557	3332	1	0,53	12440	6178
2	1,07	1389	833	2	1,06	3110	1545
3	1,61	617	370	3	1,59	1382	686
4	2,14	347	208	4	2,11	778	386
5	2,68	222	133	5	2,64	498	247

35W MFL	<b>Cd/Klm</b>	$\alpha = 2 \times 15^\circ$	70W MFL	<b>Cd/Klm</b>	$\alpha = 2 \times 15^\circ$
------------	---------------	------------------------------	------------	---------------	------------------------------

	<table border="1"> <thead> <tr> <th>H m</th> <th>Ø m</th> <th>EMax lux</th> <th>EM lux</th> </tr> </thead> <tbody> <tr><td>1</td><td>0,48</td><td>27798</td><td>12795</td></tr> <tr><td>2</td><td>0,97</td><td>6950</td><td>3199</td></tr> <tr><td>3</td><td>1,45</td><td>3089</td><td>1422</td></tr> <tr><td>4</td><td>1,94</td><td>1737</td><td>800</td></tr> <tr><td>5</td><td>2,42</td><td>1112</td><td>512</td></tr> </tbody> </table>	H m	Ø m	EMax lux	EM lux	1	0,48	27798	12795	2	0,97	6950	3199	3	1,45	3089	1422	4	1,94	1737	800	5	2,42	1112	512	$\alpha = 2 \times 14^\circ$		<table border="1"> <thead> <tr> <th>H m</th> <th>Ø m</th> <th>EMax lux</th> <th>EM lux</th> </tr> </thead> <tbody> <tr><td>1</td><td>0,82</td><td>3435</td><td>1804</td></tr> <tr><td>2</td><td>1,65</td><td>859</td><td>451</td></tr> <tr><td>3</td><td>2,47</td><td>382</td><td>200</td></tr> <tr><td>4</td><td>3,30</td><td>215</td><td>113</td></tr> <tr><td>5</td><td>4,12</td><td>137</td><td>72</td></tr> </tbody> </table>	H m	Ø m	EMax lux	EM lux	1	0,82	3435	1804	2	1,65	859	451	3	2,47	382	200	4	3,30	215	113	5	4,12	137	72	$\alpha = 2 \times 22^\circ$
H m	Ø m	EMax lux	EM lux																																																		
1	0,48	27798	12795																																																		
2	0,97	6950	3199																																																		
3	1,45	3089	1422																																																		
4	1,94	1737	800																																																		
5	2,42	1112	512																																																		
H m	Ø m	EMax lux	EM lux																																																		
1	0,82	3435	1804																																																		
2	1,65	859	451																																																		
3	2,47	382	200																																																		
4	3,30	215	113																																																		
5	4,12	137	72																																																		
150W MFL	<b>Cd/Klm</b>			35W WFL	<b>Cd/Klm</b>																																																

	<table border="1"> <thead> <tr> <th>H m</th> <th>Ø m</th> <th>EMax lux</th> <th>EM lux</th> </tr> </thead> <tbody> <tr><td>1</td><td>0,86</td><td>5927</td><td>2883</td></tr> <tr><td>2</td><td>1,72</td><td>1482</td><td>721</td></tr> <tr><td>3</td><td>2,58</td><td>659</td><td>320</td></tr> <tr><td>4</td><td>3,45</td><td>370</td><td>180</td></tr> <tr><td>5</td><td>4,31</td><td>237</td><td>115</td></tr> </tbody> </table>	H m	Ø m	EMax lux	EM lux	1	0,86	5927	2883	2	1,72	1482	721	3	2,58	659	320	4	3,45	370	180	5	4,31	237	115	$\alpha = 2 \times 23^\circ$		<table border="1"> <thead> <tr> <th>H m</th> <th>Ø m</th> <th>EMax lux</th> <th>EM lux</th> </tr> </thead> <tbody> <tr><td>1</td><td>0,86</td><td>12573</td><td>6115</td></tr> <tr><td>2</td><td>1,72</td><td>3143</td><td>1529</td></tr> <tr><td>3</td><td>2,58</td><td>1397</td><td>679</td></tr> <tr><td>4</td><td>3,45</td><td>786</td><td>382</td></tr> <tr><td>5</td><td>4,31</td><td>503</td><td>245</td></tr> </tbody> </table>	H m	Ø m	EMax lux	EM lux	1	0,86	12573	6115	2	1,72	3143	1529	3	2,58	1397	679	4	3,45	786	382	5	4,31	503	245	$\alpha = 2 \times 23^\circ$
H m	Ø m	EMax lux	EM lux																																																		
1	0,86	5927	2883																																																		
2	1,72	1482	721																																																		
3	2,58	659	320																																																		
4	3,45	370	180																																																		
5	4,31	237	115																																																		
H m	Ø m	EMax lux	EM lux																																																		
1	0,86	12573	6115																																																		
2	1,72	3143	1529																																																		
3	2,58	1397	679																																																		
4	3,45	786	382																																																		
5	4,31	503	245																																																		
70W WFL	<b>Cd/Klm</b>			150W WFL	<b>Cd/Klm</b>																																																

	<table border="1"> <thead> <tr> <th>H m</th> <th>Ø m</th> <th>EMax lux</th> <th>EM lux</th> </tr> </thead> <tbody> <tr><td>1</td><td>1,30</td><td>1141</td><td>788</td></tr> <tr><td>2</td><td>2,61</td><td>285</td><td>197</td></tr> <tr><td>3</td><td>3,91</td><td>127</td><td>88</td></tr> <tr><td>4</td><td>5,22</td><td>71</td><td>49</td></tr> <tr><td>5</td><td>6,52</td><td>46</td><td>32</td></tr> </tbody> </table>	H m	Ø m	EMax lux	EM lux	1	1,30	1141	788	2	2,61	285	197	3	3,91	127	88	4	5,22	71	49	5	6,52	46	32	$\alpha = 2 \times 33^\circ$		<table border="1"> <thead> <tr> <th>H m</th> <th>Ø m</th> <th>EMax lux</th> <th>EM lux</th> </tr> </thead> <tbody> <tr><td>1</td><td>1,35</td><td>2553</td><td>1294</td></tr> <tr><td>2</td><td>2,70</td><td>638</td><td>324</td></tr> <tr><td>3</td><td>4,05</td><td>284</td><td>144</td></tr> <tr><td>4</td><td>5,40</td><td>160</td><td>81</td></tr> <tr><td>5</td><td>6,75</td><td>102</td><td>52</td></tr> </tbody> </table>	H m	Ø m	EMax lux	EM lux	1	1,35	2553	1294	2	2,70	638	324	3	4,05	284	144	4	5,40	160	81	5	6,75	102	52	$\alpha = 2 \times 34^\circ$
H m	Ø m	EMax lux	EM lux																																																		
1	1,30	1141	788																																																		
2	2,61	285	197																																																		
3	3,91	127	88																																																		
4	5,22	71	49																																																		
5	6,52	46	32																																																		
H m	Ø m	EMax lux	EM lux																																																		
1	1,35	2553	1294																																																		
2	2,70	638	324																																																		
3	4,05	284	144																																																		
4	5,40	160	81																																																		
5	6,75	102	52																																																		
35W VWFL	<b>Cd/Klm</b>			70W VWFL	<b>Cd/Klm</b>																																																

	<table border="1"> <thead> <tr> <th>H m</th> <th>Ø m</th> <th>EMax lux</th> <th>EM lux</th> </tr> </thead> <tbody> <tr><td>1</td><td>1,32</td><td>7182</td><td>2348</td></tr> <tr><td>2</td><td>2,65</td><td>1796</td><td>587</td></tr> <tr><td>3</td><td>3,97</td><td>798</td><td>261</td></tr> <tr><td>4</td><td>5,30</td><td>449</td><td>147</td></tr> <tr><td>5</td><td>6,62</td><td>287</td><td>94</td></tr> </tbody> </table>	H m	Ø m	EMax lux	EM lux	1	1,32	7182	2348	2	2,65	1796	587	3	3,97	798	261	4	5,30	449	147	5	6,62	287	94	$\alpha = 2 \times 33^\circ$
H m	Ø m	EMax lux	EM lux																							
1	1,32	7182	2348																							
2	2,65	1796	587																							
3	3,97	798	261																							
4	5,30	449	147																							
5	6,62	287	94																							
150W VWFL	<b>Cd/Klm</b>																									

### JAVA 172 SYSTEM LED



page 74-75



LED  
MONOCHROMATIC  
Luminous flux  
of the luminaire:  
33W/FL = 1174lm  
33W/MFL = 1242lm

	<table border="1"> <thead> <tr> <th>H m</th> <th>Ø m</th> <th>EMax lux</th> <th>EM lux</th> </tr> </thead> <tbody> <tr><td>1</td><td>0,67</td><td>2305</td><td>990</td></tr> <tr><td>2</td><td>1,35</td><td>576</td><td>248</td></tr> <tr><td>3</td><td>2,02</td><td>256</td><td>110</td></tr> <tr><td>4</td><td>2,69</td><td>144</td><td>62</td></tr> <tr><td>5</td><td>3,37</td><td>92</td><td>40</td></tr> </tbody> </table>	H m	Ø m	EMax lux	EM lux	1	0,67	2305	990	2	1,35	576	248	3	2,02	256	110	4	2,69	144	62	5	3,37	92	40	$\alpha = 2 \times 19^\circ$		<table border="1"> <thead> <tr> <th>H m</th> <th>Ø m</th> <th>EMax lux</th> <th>EM lux</th> </tr> </thead> <tbody> <tr><td>1</td><td>0,34</td><td>7924</td><td>3801</td></tr> <tr><td>2</td><td>0,68</td><td>1981</td><td>950</td></tr> <tr><td>3</td><td>1,01</td><td>880</td><td>422</td></tr> <tr><td>4</td><td>1,35</td><td>495</td><td>238</td></tr> <tr><td>5</td><td>1,69</td><td>317</td><td>152</td></tr> </tbody> </table>	H m	Ø m	EMax lux	EM lux	1	0,34	7924	3801	2	0,68	1981	950	3	1,01	880	422	4	1,35	495	238	5	1,69	317	152	$\alpha = 2 \times 10^\circ$
H m	Ø m	EMax lux	EM lux																																																		
1	0,67	2305	990																																																		
2	1,35	576	248																																																		
3	2,02	256	110																																																		
4	2,69	144	62																																																		
5	3,37	92	40																																																		
H m	Ø m	EMax lux	EM lux																																																		
1	0,34	7924	3801																																																		
2	0,68	1981	950																																																		
3	1,01	880	422																																																		
4	1,35	495	238																																																		
5	1,69	317	152																																																		
33W FL	<b>Cd/Klm</b>			33W MFL	<b>Cd/Klm</b>																																																

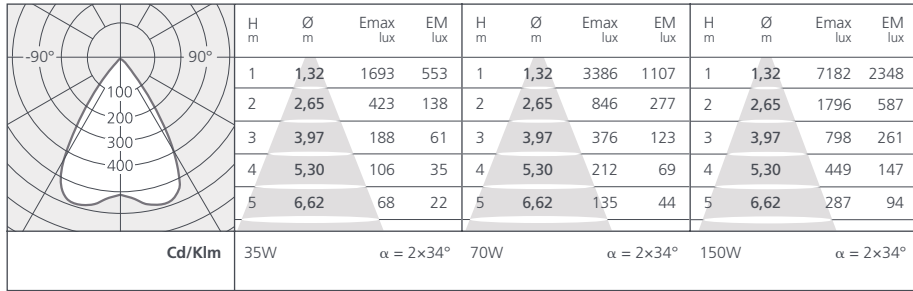
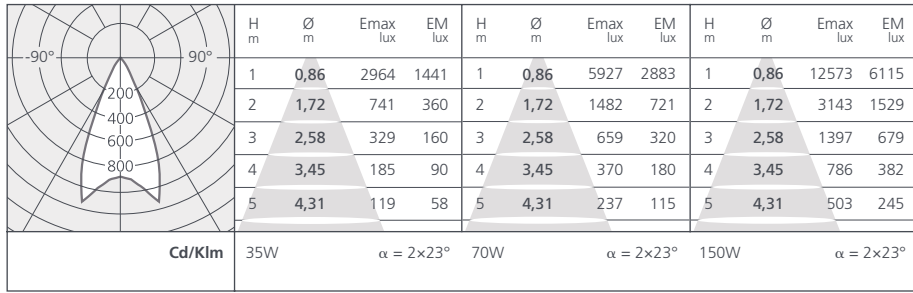
### JAVA 208



page 66

HIT-CE (G12)  
35W = 3300lm  
70W = 6600lm  
150W = 14000lm

	<table border="1"> <thead> <tr> <th>H m</th> <th>Ø m</th> <th>EMax lux</th> <th>EM lux</th> </tr> </thead> <tbody> <tr><td>1</td><td>0,48</td><td>6552</td><td>3016</td></tr> <tr><td>2</td><td>0,97</td><td>1638</td><td>754</td></tr> <tr><td>3</td><td>1,45</td><td>728</td><td>335</td></tr> <tr><td>4</td><td>1,94</td><td>410</td><td>188</td></tr> <tr><td>5</td><td>2,42</td><td>262</td><td>121</td></tr> </tbody> </table>	H m	Ø m	EMax lux	EM lux	1	0,48	6552	3016	2	0,97	1638	754	3	1,45	728	335	4	1,94	410	188	5	2,42	262	121	$\alpha = 2 \times 14^\circ$		<table border="1"> <thead> <tr> <th>H m</th> <th>Ø m</th> <th>EMax lux</th> <th>EM lux</th> </tr> </thead> <tbody> <tr><td>1</td><td>0,48</td><td>13105</td><td>6032</td></tr> <tr><td>2</td><td>0,97</td><td>3276</td><td>1508</td></tr> <tr><td>3</td><td>1,45</td><td>1456</td><td>670</td></tr> <tr><td>4</td><td>1,94</td><td>819</td><td>377</td></tr> <tr><td>5</td><td>2,42</td><td>524</td><td>241</td></tr> </tbody> </table>	H m	Ø m	EMax lux	EM lux	1	0,48	13105	6032	2	0,97	3276	1508	3	1,45	1456	670	4	1,94	819	377	5	2,42	524	241	$\alpha = 2 \times 14^\circ$		<table border="1"> <thead> <tr> <th>H m</th> <th>Ø m</th> <th>EMax lux</th> <th>EM lux</th> </tr> </thead> <tbody> <tr><td>1</td><td>0,48</td><td>27798</td><td>12795</td></tr> <tr><td>2</td><td>0,97</td><td>6950</td><td>3199</td></tr> <tr><td>3</td><td>1,45</td><td>3089</td><td>1422</td></tr> <tr><td>4</td><td>1,94</td><td>1737</td><td>800</td></tr> <tr><td>5</td><td>2,42</td><td>1112</td><td>512</td></tr> </tbody> </table>	H m	Ø m	EMax lux	EM lux	1	0,48	27798	12795	2	0,97	6950	3199	3	1,45	3089	1422	4	1,94	1737	800	5	2,42	1112	512	$\alpha = 2 \times 14^\circ$
H m	Ø m	EMax lux	EM lux																																																																													
1	0,48	6552	3016																																																																													
2	0,97	1638	754																																																																													
3	1,45	728	335																																																																													
4	1,94	410	188																																																																													
5	2,42	262	121																																																																													
H m	Ø m	EMax lux	EM lux																																																																													
1	0,48	13105	6032																																																																													
2	0,97	3276	1508																																																																													
3	1,45	1456	670																																																																													
4	1,94	819	377																																																																													
5	2,42	524	241																																																																													
H m	Ø m	EMax lux	EM lux																																																																													
1	0,48	27798	12795																																																																													
2	0,97	6950	3199																																																																													
3	1,45	3089	1422																																																																													
4	1,94	1737	800																																																																													
5	2,42	1112	512																																																																													
	<b>Cd/Klm</b>	35W		70W		150W																																																																										

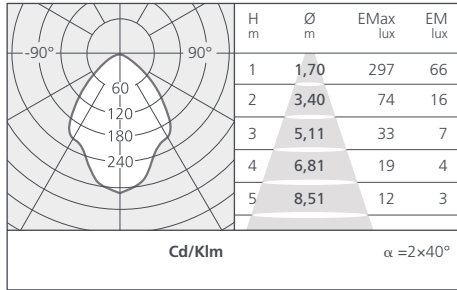


### L.D. SYSTEM 96



page 155

QT12-UVr-ax (GY6,35)  
50W ECO = 1250lm

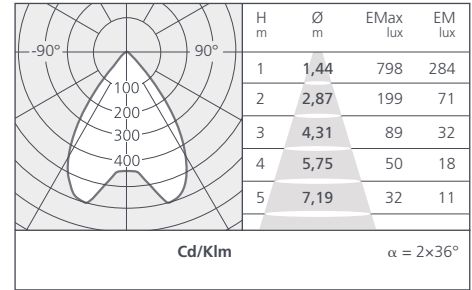


### L.D. SYSTEM 156 HALO



page 156

QT12-UVr-ax (GY6,35)  
60W ECO = 1650lm

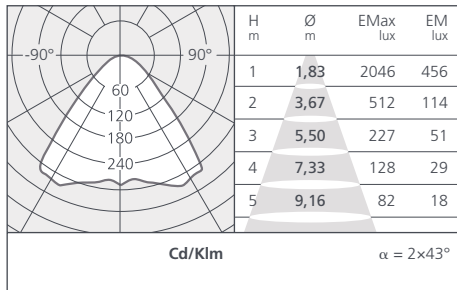


### L.D. SYSTEM 156 HIT



page 156

HIT-CE (G12)  
70W = 6600lm

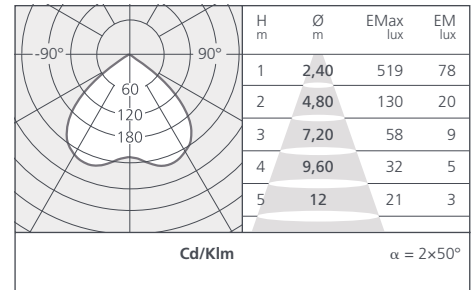


### L.D. SYSTEM 206 FLUO



page 157

TC-DEL (G24q-2)  
18W = 1200lm

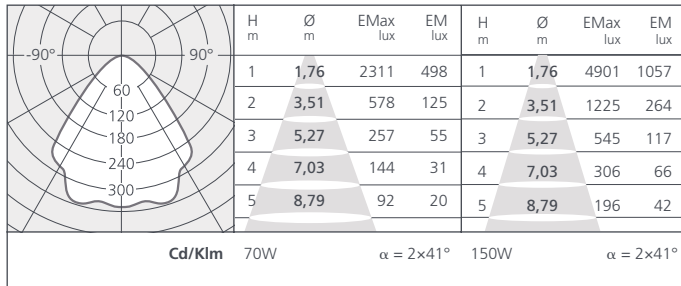


### L.D. SYSTEM 206 HIT



page 157

HIT-CE (G12)  
70W = 6600lm  
150W = 14000lm



**NOTHING RECESSED ROUND Ø155 ADJUSTABLE**



page 85

HIT-TC-CE (G8,5)  
 20W = 1700lm  
 35W = 3400lm  
 70W = 6600lm

-90°		90°									
H	Ø	E <sub>max</sub>	E <sub>M</sub>	H	Ø	E <sub>max</sub>	E <sub>M</sub>	H	Ø	E <sub>max</sub>	E <sub>M</sub>
m	m	lux	lux	m	m	lux	lux	m	m	lux	lux
1	0,30	7055	3444	1	0,30	13694	6686	1	0,30	27389	13373
2	0,59	1764	861	2	0,59	3424	1672	2	0,59	6847	3343
3	0,89	784	383	3	0,89	1522	743	3	0,89	3043	1486
4	1,18	441	215	4	1,18	856	418	4	1,18	1712	836
5	1,48	282	138	5	1,48	548	267	5	1,48	1096	535
<b>Cd/Klm</b>		20W		α = 2×8°	35W		α = 2×8°	70W		α = 2×8°	

-90°		90°									
H	Ø	E <sub>max</sub>	E <sub>M</sub>	H	Ø	E <sub>max</sub>	E <sub>M</sub>	H	Ø	E <sub>max</sub>	E <sub>M</sub>
m	m	lux	lux	m	m	lux	lux	m	m	lux	lux
1	0,50	4684	2144	1	0,50	9093	4163	1	0,50	18186	8326
2	1,00	1171	536	2	1,00	2273	1041	2	1,00	4546	2081
3	1,50	520	238	3	1,50	1010	463	3	1,50	2021	925
4	1,99	293	134	4	1,99	568	260	4	1,99	1137	520
5	2,49	187	86	5	2,49	364	167	5	2,49	727	333
<b>Cd/Klm</b>		20W		α = 2×14°	35W		α = 2×14°	70W		α = 2×14°	

**NOTHING RECESSED ROUND Ø155 ADJUSTABLE**



page 85

HIT-CE (G12)  
 70W = 6600lm  
 150W = 14000lm

-90°		90°									
H	Ø	E <sub>max</sub>	E <sub>M</sub>	H	Ø	E <sub>max</sub>	E <sub>M</sub>	H	Ø	E <sub>max</sub>	E <sub>M</sub>
m	m	lux	lux	m	m	lux	lux	m	m	lux	lux
1	0,30	19057	9271	1	0,30	40424	19665				
2	0,60	4764	2318	2	0,60	10106	4916				
3	0,91	2117	1030	3	0,91	4492	2185				
4	1,21	1191	579	4	1,21	2526	1229				
5	1,51	762	371	5	1,51	1617	787				
<b>Cd/Klm</b>		70W		α = 2×9°	150W		α = 2×9°				

-90°		90°									
H	Ø	E <sub>max</sub>	E <sub>M</sub>	H	Ø	E <sub>max</sub>	E <sub>M</sub>	H	Ø	E <sub>max</sub>	E <sub>M</sub>
m	m	lux	lux	m	m	lux	lux	m	m	lux	lux
1	1,00	4454	2014	1	0,85	12183	4749				
2	1,99	1113	503	2	1,71	3046	1187				
3	2,99	495	224	3	2,56	1354	528				
4	3,99	278	126	4	3,41	761	297				
5	4,99	178	81	5	4,27	487	190				
70W	<b>Cd/Klm</b>			α = 2×26°	150W	<b>Cd/Klm</b>			α = 2×23°		

**NOTHING RECESSED 172 SYSTEM HIT**



page 78-79

HIT-CE (G12)  
 35W = 3300lm  
 70W = 6600lm  
 150W = 14000lm

-90°		90°									
H	Ø	E <sub>max</sub>	E <sub>M</sub>	H	Ø	E <sub>max</sub>	E <sub>M</sub>	H	Ø	E <sub>max</sub>	E <sub>M</sub>
m	m	lux	lux	m	m	lux	lux	m	m	lux	lux
1	0,54	5557	3332	1	0,53	12440	6178				
2	1,07	1389	833	2	1,06	3110	1545				
3	1,61	617	370	3	1,59	1382	686				
4	2,14	347	208	4	2,11	778	386				
5	2,68	222	133	5	2,64	498	247				
35W	<b>Cd/Klm</b>			α = 2×15°	70W	<b>Cd/Klm</b>			α = 2×15°		
MFL					MFL						

	H m	Ø m	EMax lux	EM lux		H m	Ø m	EMax lux	EM lux
	1	0,48	27798	12795		1	0,82	3435	1804
	2	0,97	6950	3199		2	1,65	859	451
	3	1,45	3089	1422		3	2,47	382	200
	4	1,94	1737	800		4	3,30	215	113
	5	2,42	1112	512		5	4,12	137	72
150W MFL	<b>Cd/Klm</b>		$\alpha = 2 \times 14^\circ$		35W WFL	<b>Cd/Klm</b>		$\alpha = 2 \times 22^\circ$	

	H m	Ø m	EMax lux	EM lux		H m	Ø m	EMax lux	EM lux
	1	0,86	5927	2883		1	0,86	12573	6115
	2	1,72	1482	721		2	1,72	3143	1529
	3	2,58	659	320		3	2,58	1397	679
	4	3,45	370	180		4	3,45	786	382
	5	4,31	237	115		5	4,31	503	245
70W WFL	<b>Cd/Klm</b>		$\alpha = 2 \times 23^\circ$		150W WFL	<b>Cd/Klm</b>		$\alpha = 2 \times 23^\circ$	

	H m	Ø m	EMax lux	EM lux		H m	Ø m	EMax lux	EM lux
	1	1,30	1141	788		1	1,35	2553	1294
	2	2,61	285	197		2	2,70	638	324
	3	3,91	127	88		3	4,05	284	144
	4	5,22	71	49		4	5,40	160	81
	5	6,52	46	32		5	6,75	102	52
35W VWFL	<b>Cd/Klm</b>		$\alpha = 2 \times 33^\circ$		70W VWFL	<b>Cd/Klm</b>		$\alpha = 2 \times 24^\circ$	

	H m	Ø m	EMax lux	EM lux
	1	1,32	7182	2348
	2	2,65	1796	587
	3	3,97	798	261
	4	5,30	449	147
	5	6,62	287	94
150W VWFL	<b>Cd/Klm</b>		$\alpha = 2 \times 34^\circ$	

## NOTHING RECESSED 172 SYSTEM LED



page 78-79



LED  
MONOCHROMATIC  
Luminous flux  
of the luminaire:  
33W/FL = 1174lm  
33W/MFL = 1242lm

	H m	Ø m	EMax lux	EM lux		H m	Ø m	EMax lux	EM lux
	1	0,67	2305	990		1	0,34	7924	3801
	2	1,35	576	248		2	0,68	1981	950
	3	2,02	256	110		3	1,01	880	422
	4	2,69	144	62		4	1,35	495	238
	5	3,37	92	40		5	1,69	317	152
33W FL	<b>Cd/Klm</b>		$\alpha = 2 \times 19^\circ$		33W MFL	<b>Cd/Klm</b>		$\alpha = 2 \times 10^\circ$	

## STICK



page 135

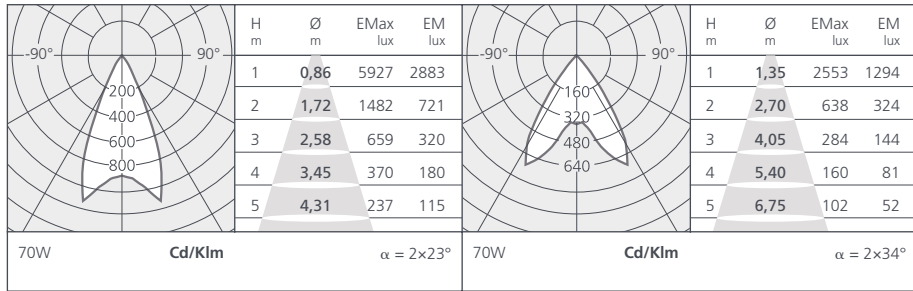
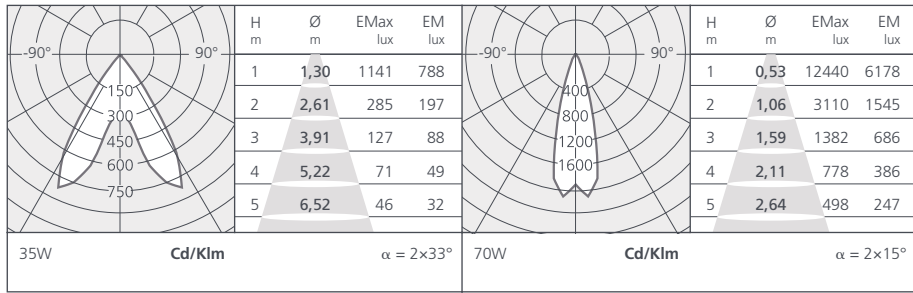


HIT-TC-CE (G8,5)  
35W = 3400lm  
70W = 6600lm



HIT-CE (G12)  
35W = 3400lm  
70W = 6600lm

	H m	Ø m	EMax lux	EM lux		H m	Ø m	EMax lux	EM lux
	1	0,54	5557	3332		1	0,82	3435	1804
	2	1,07	1389	833		2	1,65	859	451
	3	1,61	617	370		3	2,47	382	200
	4	2,14	347	208		4	3,30	215	113
	5	2,68	222	133		5	4,12	137	72
35W	<b>Cd/Klm</b>		$\alpha = 2 \times 15^\circ$		35W	<b>Cd/Klm</b>		$\alpha = 2 \times 22^\circ$	



### VULCANIA RECESSED ø308

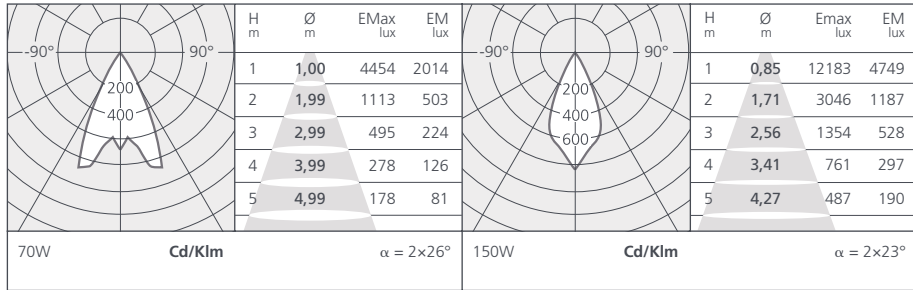


page 167



HIT-CE (G12)

70W = 6600lm  
150W = 14000lm



### VULCANIA RECESSED ø375

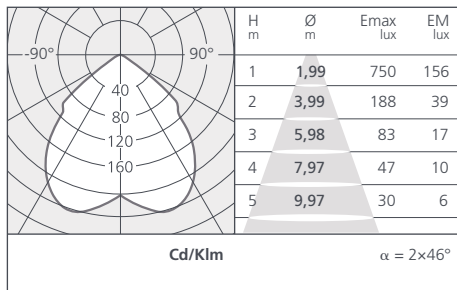


page 167



TC-DEL (G24q-3)

26W = 1800lm



## LED AND FLUORESCENT RECESSED LUMINAIRES

### ALTOP SOFT LIGHT

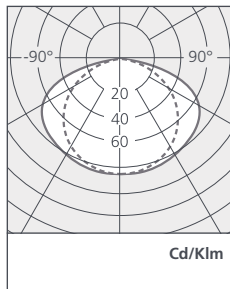


page 187



TC-LEL (2G11)

55W = 4800lm



### ALTOP DIFFUSER

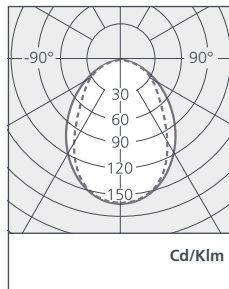


page 187



TC-LEL (2G11)

36W = 2900lm



### BOLERO

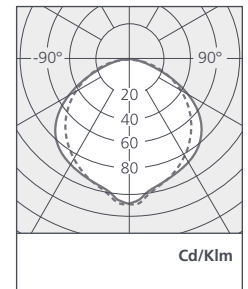


page 185



TC-LEL (2G11)

55W = 4800lm

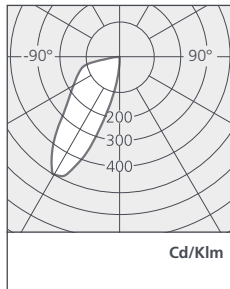


### JAVA WALL WASHER



page 71

T16-HO/FQ (G5)  
24W = 1750lm



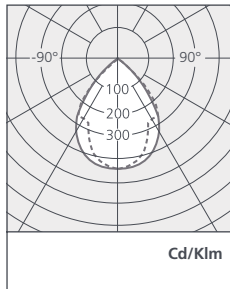
Cd/Klm

### JAVA LINEAR SYSTEM DARK LIGHT



page 70

T16-HO/FQ (G5)  
24W = 1750lm  
54W = 4450lm



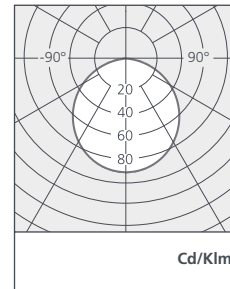
Cd/Klm

### JAVA LINEAR SYSTEM DIFFUSER



page 70

T16-HO/FQ (G5)  
24W = 1750lm



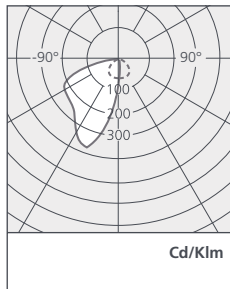
Cd/Klm

### JAVA LINEAR SYSTEM WALL WASHER



page 71

T16-HO/FQ (G5)  
24W = 1750lm



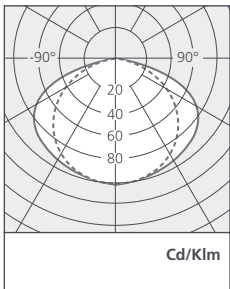
Cd/Klm

### KALIFA RECESSED SOFT LIGHT



page 285

TC-LEL (2G11)  
55W = 4800lm



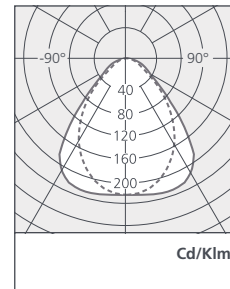
Cd/Klm

### KALIFA RECESSED DARK LIGHT + DIFF.



page 285

T16-HO/FQ (G5)  
24W = 1950lm



Cd/Klm

### LUCERI LED



page 163

LED  
MONOCHROMATIC  
Luminous flux  
of the luminaire:  
27W = 1650lm  
37W = 2390lm

H m	Ø m	E Max lux	E M lux	H m	Ø m	E Max lux	E M lux
1	1,25	1165	475	1	1,25	1689	689
2	2,50	291	119	2	2,50	422	172
3	3,75	129	53	3	3,75	188	77
4	5,00	73	30	4	5,00	106	43
5	6,25	47	19	5	6,25	68	28

Cd/Klm LED 27W α = 2x32° LED 37W α = 2x32°

### LUCERI SYSTEM 150



page 169

TC-DEL (G24q-1)  
18W = 1200lm  
26W = 1800lm

TC-TEL (GX24q-2)  
18W = 1200lm

H m	Ø m	E Max lux	E M lux	H m	Ø m	E Max lux	E M lux
1	2,75	123	19	1	3,30	185	18
2	5,51	31	5	2	6,60	46	4
3	8,26	14	2	3	9,91	21	2
4	11,01	8	1	4	13,21	12	1
5	13,76	5	1	5	16,51	7	1

TC-DEL 1x13W Cd/Klm α = 2x54° TC-TEL 1x18W Cd/Klm α = 2x59°

### LUCERI SYSTEM 220 FLAT



page 170

TC-DEL (G24q-2/3)  
18W = 1200lm  
26W = 1800lm

TC-TEL (GR14q-1)  
14W = 1200lm  
17W = 1500lm

H m	Ø m	E Max lux	E M lux	H m	Ø m	E Max lux	E M lux
1	2,71	246	43	1	2,64	594	66
2	5,43	61	11	2	5,29	148	16
3	8,14	27	5	3	7,93	66	7
4	10,85	15	3	4	10,58	37	4
5	13,56	10	2	5	13,22	24	3

TC-DEL 1x26W Cd/Klm α = 2x53° TC-TEL 2x17W Cd/Klm α = 2x53°

H m	Ø m	E Max lux	E M lux	H m	Ø m	E Max lux	E M lux
1	2,44	591	77	1	2,43	841	111
2	4,89	148	19	2	4,87	210	28
3	7,33	66	9	3	7,30	93	12
4	9,77	37	5	4	9,74	53	7
5	12,22	24	3	5	12,17	34	4

TC-DEL 2x18W Cd/Klm α = 2x51° TC-DEL 2x26W Cd/Klm α = 2x51°

### LUCERI SYSTEM 220 SCREEN



page 171

TC-DEL (G24q-2/3)  
18W = 1200lm  
26W = 1800lm

2x18W				2x26W			
H m	Ø m	EMax lux	EM lux	H m	Ø m	EMax lux	EM lux
1	1,97	471	98	1	2,03	751	148
2	3,93	118	25	2	4,06	188	37
3	5,90	52	11	3	6,08	83	16
4	7,86	29	6	4	8,11	47	9
5	9,83	19	4	5	10,14	30	6

**Cd/Klm**       $\alpha = 2 \times 45^\circ$

### LUCERI SYSTEM 220 WALL WASHER



page 174

TC-DEL (G24q-1/2/3)  
13W = 900lm  
18W = 1200lm  
26W = 1800lm

**Cd/Klm**

### LUCERI SYSTEM 290



page 175

TC-TEL (GX24q-3/4)  
32W = 2400lm  
42W = 3200lm

2x32W				2x42W			
H m	Ø m	EMax lux	EM lux	H m	Ø m	EMax lux	EM lux
1	2,61	1074	140	1	2,52	1807	249
2	5,21	269	35	2	5,05	452	62
3	7,82	119	16	3	7,57	201	28
4	10,43	67	9	4	10,09	113	16
5	13,03	43	6	5	12,62	72	10

**Cd/Klm**       $\alpha = 2 \times 53^\circ$

### LUCERI 220 FLAT QR WITH SILSCREEN PRINTED GLASS



page 177

TC-DEL (G24q-2)  
18W = 1200lm  
26W = 1800lm

2x18W				2x26W			
H m	Ø m	EMax lux	EM lux	H m	Ø m	EMax lux	EM lux
1	2,65	291	37	1	2,65	302	37
2	5,31	73	9	2	5,31	76	9
3	7,96	32	4	3	7,96	34	4
4	10,62	18	2	4	10,62	19	2
5	13,27	12	1	5	13,27	12	1

**Cd/Klm**       $\alpha = 2 \times 53^\circ$

### LUCERI 220 FLAT WITH ANTI-DAZZLE CROSS BLADE



page 177

TC-DEL (G24q-2/3)  
18W = 1200lm  
26W = 1800lm

2x18W				2x26W			
H m	Ø m	EMax lux	EM lux	H m	Ø m	EMax lux	EM lux
1	2,20	575	93	1	2,20	908	154
2	4,40	144	23	2	4,40	227	39
3	6,59	64	10	3	6,59	101	17
4	8,79	36	6	4	8,79	57	10
5	10,99	23	4	5	10,99	36	6

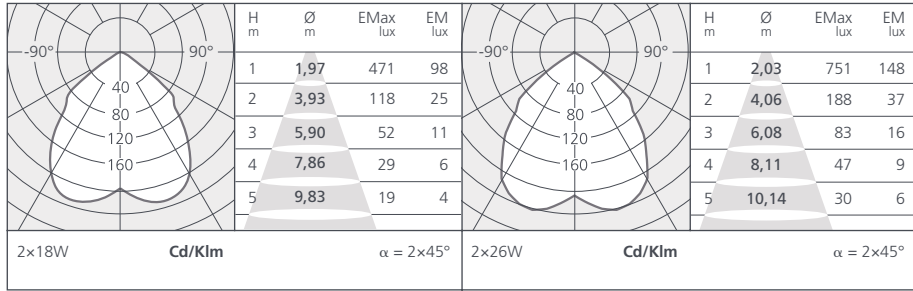
**Cd/Klm**       $\alpha = 2 \times 48^\circ$

## LUCERI 220 SCREEN QUICK REFERENCE



page 176

TC-DEL (G24q-2/3)  
18W = 1200lm  
26W = 1800lm



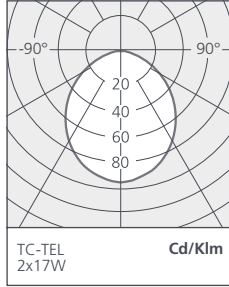
## LUCERI KADRO DIFFUSER



page 179

TC-DEL (G24q-3)  
26W = 1800lm

TC-TEL (GR14q-1)  
14W = 1200lm  
17W = 1500lm



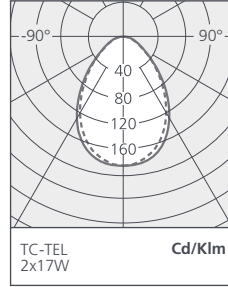
## LUCERI KADRO PRISMOPTIC



page 179

TC-DEL (G24q-3)  
26W = 1800lm

TC-TEL (G24q-1)  
14W = 1200lm  
17W = 1500lm

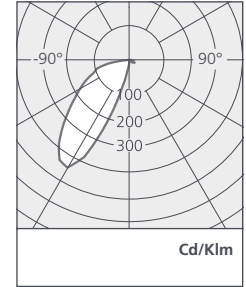


## NOTHING RECESSED WALL WASHER



page 89

T16-HO/FQ (G5)  
24W = 1750lm  
39W = 3100lm  
54W = 4450lm

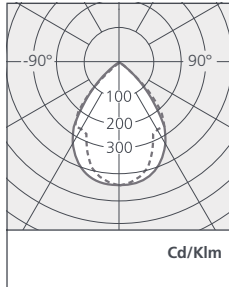


## NOTHING LINEAR SYSTEM DARK LIGHT



page 91

T16-HO/FQ (G5)  
24W = 1750lm  
54W = 4450lm

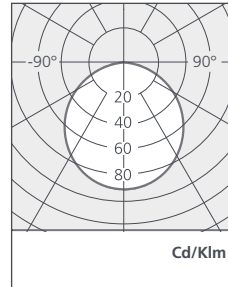


## NOTHING LINEAR SYSTEM DIFFUSER



page 91

T16-HO/FQ (G5)  
24W = 1750lm  
54W = 4450lm

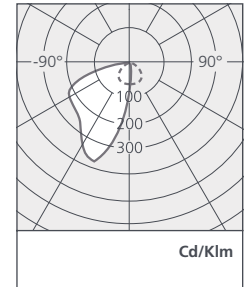


## NOTHING LINEAR SYSTEM WALL WASHER



page 92

T16-HO/FQ (G5)  
24W = 1750lm  
54W = 4450lm

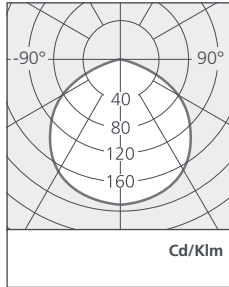


## SOLAR II



page 183

TC-DDELI (GR10q3)  
55W = 3900lm



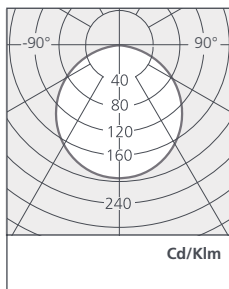
## CEILING LUMINAIRE

### ALGORITMO CEILING FLUO DIFFUSER



page 223

T16-SLS (G5)

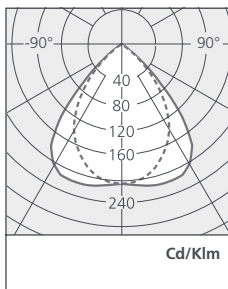


### ALGORITMO CEILING FLUO DARK LIGHT



page 223

T16-SLS (G5)

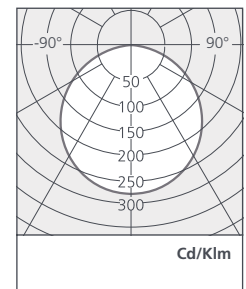


### ALGORITMO CEILING LED DIFFUSER



page 225

LED  
MONOCHROMATIC  
30W/1184mm = 1805lm  
60W/2368mm = 3610lm



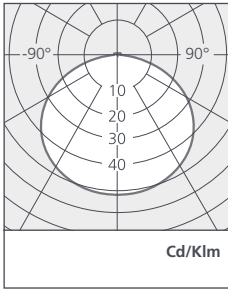
**ANDROMEDA CEILING 300x300**



page 104



T16-R (2Gx13)  
22W = 1800lm



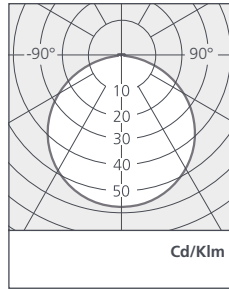
Cd/Klm

**ANDROMEDA CEILING 300x600**



page 104

T16-HO/FQ (G5)  
24W = 1750lm



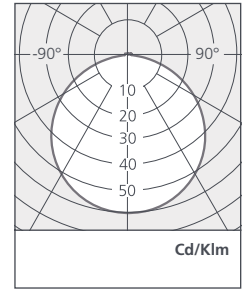
Cd/Klm

**ANDROMEDA CEILING 300x900**



page 104

T16-HE/FH (G5)  
21W = 1900lm



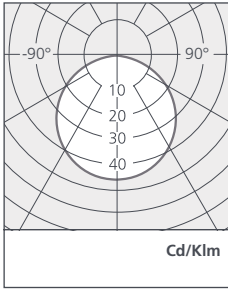
Cd/Klm

**ANDROMEDA CEILING 300x1200**



page 105

T16-HE/FH (G5)  
28W = 2600lm



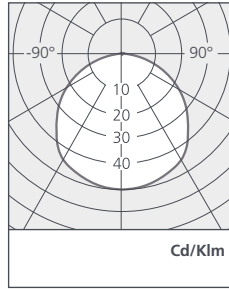
Cd/Klm

**ANDROMEDA CEILING 600x600**



page 105

T16-HO/FQ (G5)  
24W = 1750lm



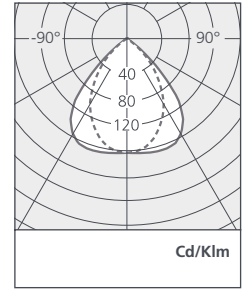
Cd/Klm

**KALIFA CEILING DARK LIGHT + GLASS**



page 287

T16-HO/FQ (G5)  
24W = 1750lm



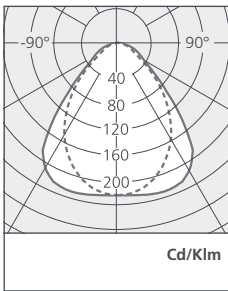
Cd/Klm

**KALIFA CEILING DARK LIGHT + DIFF.**



page 287

T16 (G5)  
14W = 1200lm  
24W = 1750lm



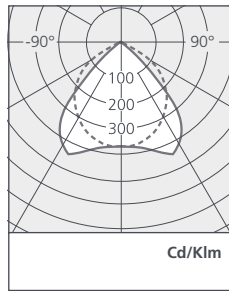
Cd/Klm

**KALIFA II CEILING**



page 271

T16 (G5)  
28W = 2600lm  
54W = 4450lm



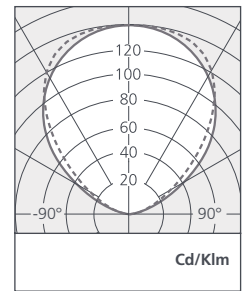
Cd/Klm

**KAO CEILING**



page 381

T16/HO-FQ (G5)  
24W = 1750lm  
54W = 4450lm



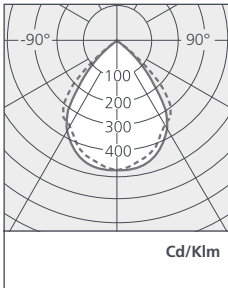
Cd/Klm

**NOTA BENE CEILING DARK LIGHT**



page 294

T16-HO/FQ (G5)  
54W = 4450lm



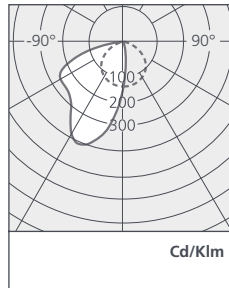
Cd/Klm

**NOTA BENE CEILING WALL WASHER**



page 295

T16-HO/FQ (G5)  
54W = 4450lm



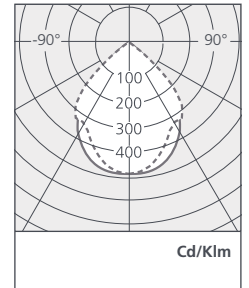
Cd/Klm

**NOTHING 86 SYSTEM CEILING DARK LIGHT**



page 240

T16 (G5)  
28W = 2600lm  
54W = 4450lm



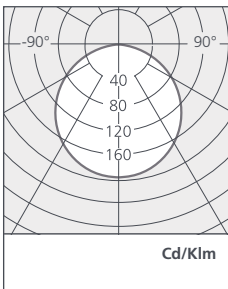
Cd/Klm

**NOTHING 86 SYSTEM CEILING DIFFUSER**



page 240

T16 (G5)  
28W = 2600lm  
54W = 4450lm



Cd/Klm

## TAGORA 80 HIT



page 114

HIT-TC-CE (GU6,5)  
20W = 1700lm  
35W = 3400lm

20W SP				35W SP			
H m	Ø m	EMax lux	EM lux	H m	Ø m	EMax lux	EM lux
1	0,28	7906	3858	1	0,24	14073	6927
2	0,56	1976	964	2	0,48	3518	1732
3	0,84	878	429	3	0,72	1564	770
4	1,12	494	241	4	0,95	880	433
5	1,41	316	154	5	1,19	563	277
Cd/Klm				Cd/Klm			
$\alpha = 2 \times 8^\circ$				$\alpha = 2 \times 7^\circ$			

20W MFL				35W MFL			
H m	Ø m	EMax lux	EM lux	H m	Ø m	EMax lux	EM lux
1	0,67	2355	1008	1	0,72	3060	1277
2	1,35	589	252	2	1,45	765	319
3	2,02	262	112	3	2,17	340	142
4	2,69	147	63	4	2,90	191	80
5	3,37	94	40	5	3,62	122	51
Cd/Klm				Cd/Klm			
$\alpha = 2 \times 12^\circ$				$\alpha = 2 \times 12^\circ$			

20W FL				35W FL			
H m	Ø m	EMax lux	EM lux	H m	Ø m	EMax lux	EM lux
1	0,41	4113	1940	1	0,44	5828	2726
2	0,83	1028	485	2	0,87	1457	682
3	1,24	457	216	3	1,31	648	303
4	1,66	257	121	4	1,74	364	170
5	2,07	165	78	5	2,18	233	109
Cd/Klm				Cd/Klm			
$\alpha = 2 \times 19^\circ$				$\alpha = 2 \times 20^\circ$			

## TAGORA 80 LED



page 114

LED  
MONOCHROMATIC  
Luminous flux  
of the luminaire:  
8W/3000K = 485lm  
8W/4100K = 536lm

8W SP				8W SP			
H m	Ø m	EMax lux	EM lux	H m	Ø m	EMax lux	EM lux
1	0,35	1953	941	1	0,35	2155	1038
2	0,69	488	235	2	0,69	539	259
3	1,04	217	105	3	1,04	239	115
4	1,38	122	59	4	1,38	135	65
5	1,73	78	38	5	1,73	86	42
Cd/Klm				Cd/Klm			
WARM WHITE				NEUTRAL WHITE			
$\alpha = 2 \times 10^\circ$				$\alpha = 2 \times 10^\circ$			

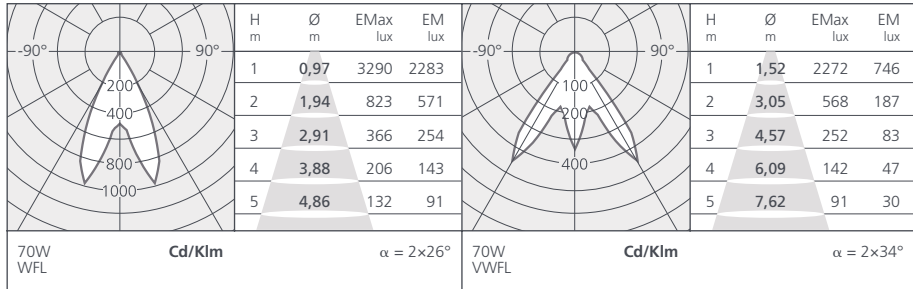
8W WFL				8W WFL			
H m	Ø m	EMax lux	EM lux	H m	Ø m	EMax lux	EM lux
1	0,85	818	320	1	0,85	902	353
2	1,71	204	80	2	1,71	226	88
3	2,56	91	36	3	2,56	100	39
4	3,41	51	20	4	3,41	56	22
5	4,27	33	13	5	4,27	36	14
Cd/Klm				Cd/Klm			
WARM WHITE				NEUTRAL WHITE			
$\alpha = 2 \times 23^\circ$				$\alpha = 2 \times 23^\circ$			

## TAGORA 270 HIT



page 114

HIT-CE (G12)  
70W = 6600lm



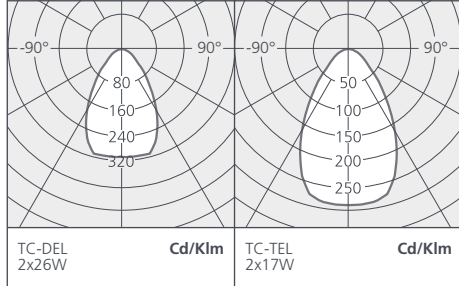
## TAGORA 270 FLUO



page 114

TC-DEL (G24q-3)  
26W = 1800lm

TC-TEL (GR14q-1)  
14W = 1200lm  
17W = 1500lm

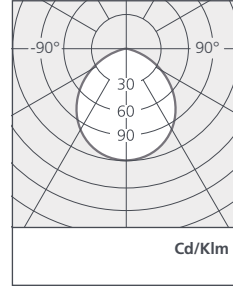


## TAGORA 570



page 114

TC-FEL (2G10)  
36W = 2800lm

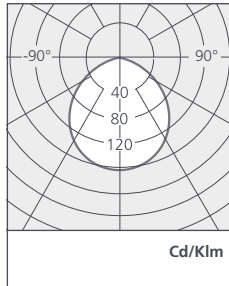


## TAGORA 970



page 115

T16-HO/FQ (G5)  
24W = 1750lm  
39W = 3100lm



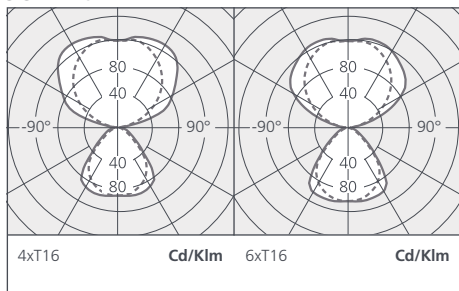
## FLOOR LUMINAIRES

### CHOCOLATE FLOOR T16



page 194

T16-HO/FQ (G5)  
24W = 1750lm

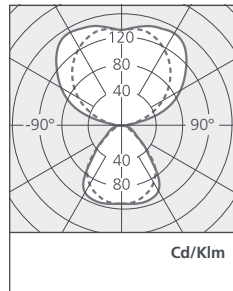


### CHOCOLATE FLOOR TC-LEL



page 195

TC-LEL (2G11)  
55W = 4800lm

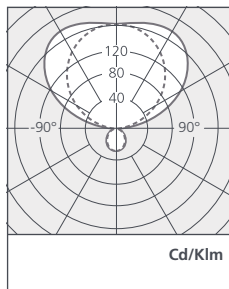


### KALIFA FLOOR COMFORT



page 280

TC-LEL (2G11)  
55W = 4800lm

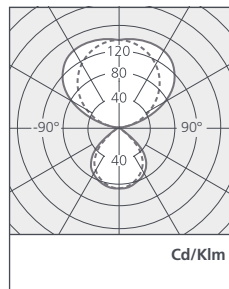


### KALIFA FLOOR DARK LIGHT



page 281

TC-LEL (2G11)  
55W = 4800lm

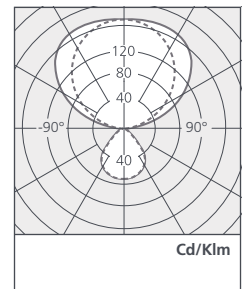


### KALIFA FLOOR PRISMOPTIC I



page 282

TC-LEL (2G11)  
55W = 4800lm

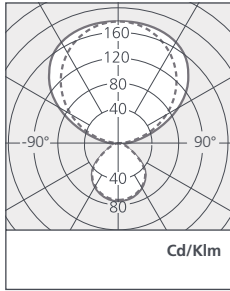


**KALIFA FLOOR PRISMOPTIC II**



page 283

TC-LEL (2G11)  
55W = 4800lm



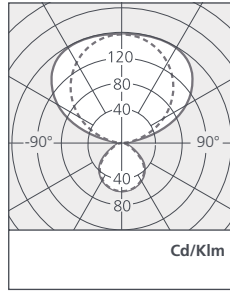
Cd/Klm

**KALIFA FLOOR PRISMOPTIC III**



page 283

TC-LEL (2G11)  
80W = 6000lm



Cd/Klm

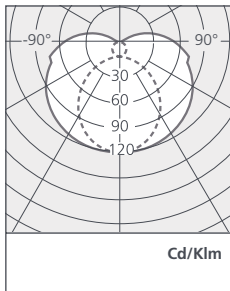
**SUSPENSION LUMINAIRES**

**ABSOLU**



page 363

T16-SLS (G5)  
28W = 2600lm  
54W = 4450lm



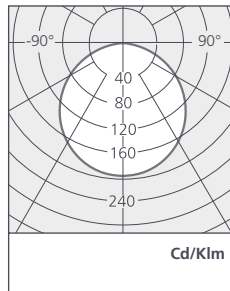
Cd/Klm

**ALGORITMO SUSP. FLUO DIR. DIFFUSER**



page 222

T16-SLS (G5)  
28W = 2600lm  
54W = 4450lm



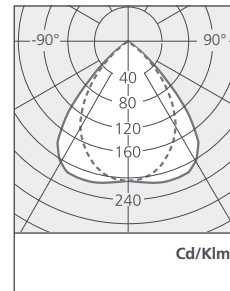
Cd/Klm

**ALGORITMO SUSP. FLUO DIR. DARK LIGHT**



page 222

T16-SLS (G5)  
28W = 2600lm  
54W = 4450lm



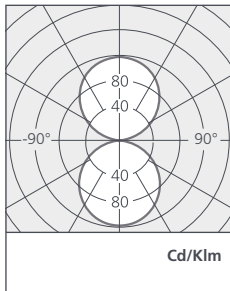
Cd/Klm

**ALGORITMO SUSP. FLUO IND./DIR. DIFFUSER**



page 222

T16-SLS (G5)  
28W = 2600lm  
54W = 4450lm



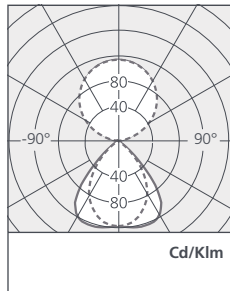
Cd/Klm

**ALGORITMO SUSP. FLUO IND./DIR. DARK LIGHT**



page 222

T16-SLS (G5)  
28W = 2600lm  
54W = 4450lm



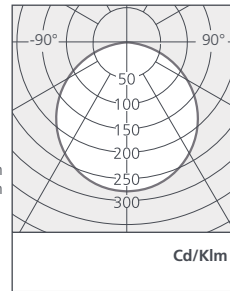
Cd/Klm

**ALGORITMO SUSP. LED DIR. DIFFUSER**



page 224

LED MONOCHROMATIC  
30W/1184mm = 1805lm  
60W/2368mm = 2610lm



Cd/Klm

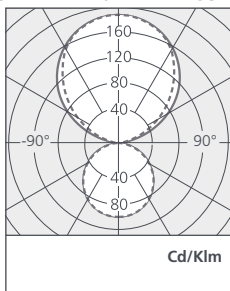
**ALGORITMO SUSP. LED IND./DIR. DIFFUSER**



page 224

LED MONOCHROMATIC  
30W/1184mm = 1805lm  
60W/2368mm = 2610lm

T16 (G5)  
39W = 3100lm



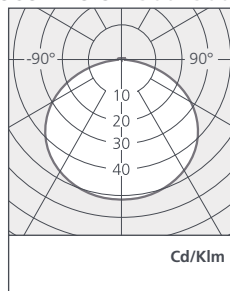
Cd/Klm

**ANDROMEDA SUSPENSION 300x300**



page 108

T16-R (2Gx13)  
22W = 1800lm



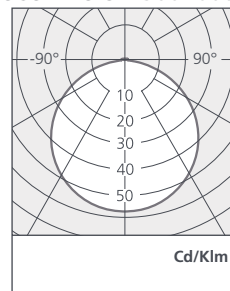
Cd/Klm

**ANDROMEDA SUSPENSION 300x600**



page 108

T16-HO/FQ (G5)  
24W = 1750lm



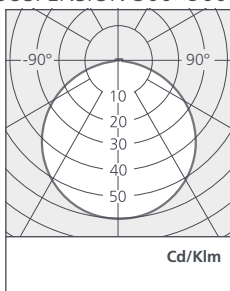
Cd/Klm

**ANDROMEDA SUSPENSION 300x900**



page 108

T16-HE/FH (G5)  
21W = 1900lm



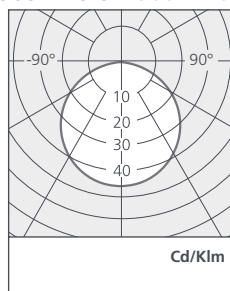
Cd/Klm

**ANDROMEDA SUSPENSION 300x1200**



page 109

T16-HE/FH (G5)  
28W = 2600lm



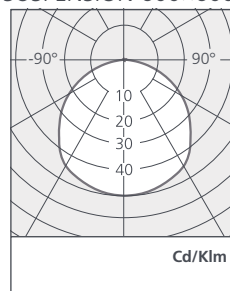
Cd/Klm

**ANDROMEDA SUSPENSION 600x600**



page 109

T16-HO/FQ (G5)  
24W = 1750lm



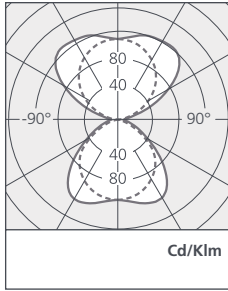
Cd/Klm

### CHOCOLATE SUSPENSION



page 199

T16-HO/FQ (G5)  
54W = 4450lm

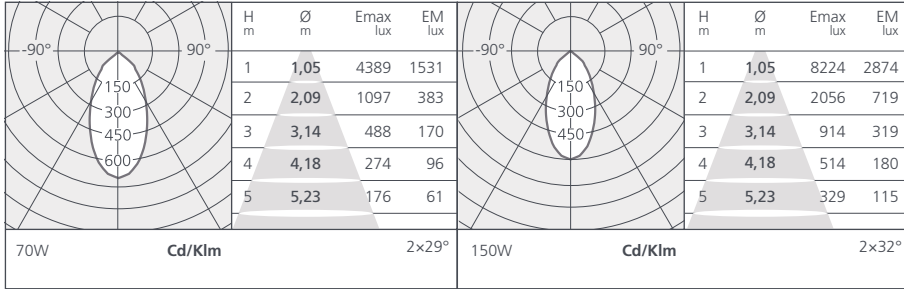


### ELIO 315 HIT



page 383

HIT-DE-CE-h45 (RX7s)  
70W = 6300lm  
150W = 13500lm

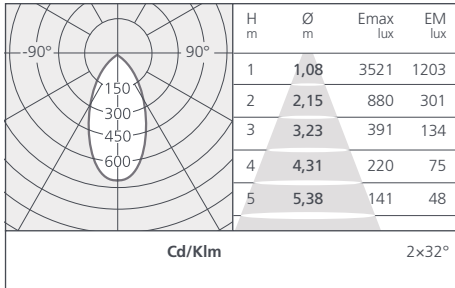


### ELIO 315 HALO



page 383

QT-DE12 (R7s)  
120W ECO = 2300lm  
160W ECO = 3300lm  
230W ECO = 5000lm

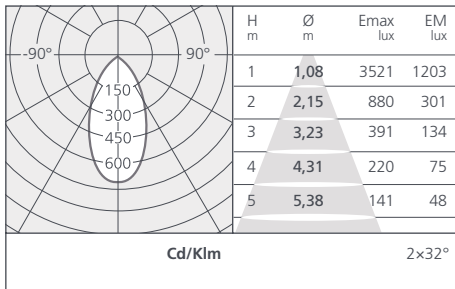


### ELIO 180



page 383

QT-DE12 (R7s)  
120W ECO = 2300lm  
160W ECO = 3300lm  
230W ECO = 5000lm

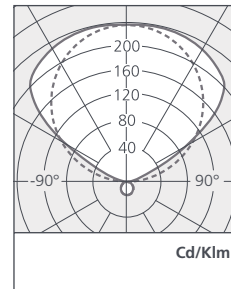


### EOS SYSTEM



page 323

T16 (G5)  
28W = 2600lm  
35W = 3300lm  
54W = 4450lm

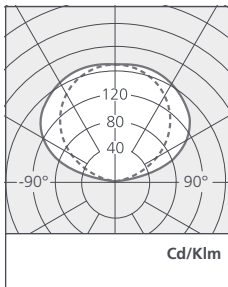


### ESPRIT SUSPENSION INDIRECT



page 312

T16 (G5)  
54W = 4450lm

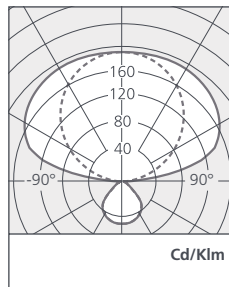


### ESPRIT SUSPENSION INDIRECT/DIRECT



page 312

T16 (G5)  
54W = 4450lm

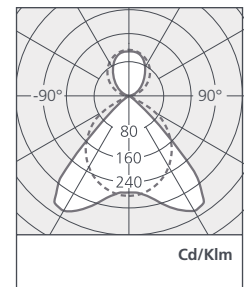


### KALIFA II SUSPENSION INDIRECT/DIRECT



page 267

T16-HO-FQ (G5)  
24W = 1750lm  
54W = 4450lm

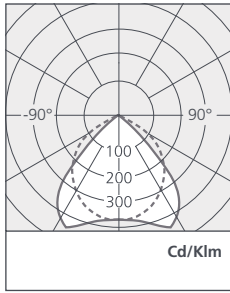


### KALIFA II SUSPENSION DIRECT



page 269

T16 (G5)  
28W = 2600lm  
54W = 4450lm

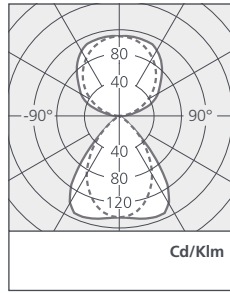


### KALIFA SYSTEM



page 275

T16 (G5)  
28W = 2600lm  
35W = 3300lm  
54W = 4450lm

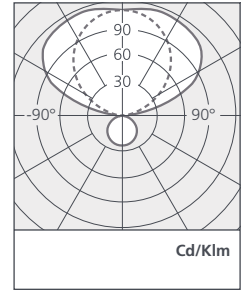


### KALIFA SUSPENSION



page 287

T16-HO/FQ (G5)  
24W = 1750lm

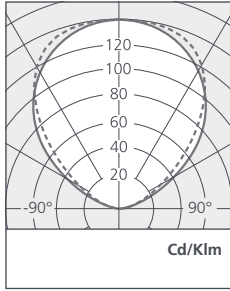


### KAO SUSPENSION



page 377

T16-HO/FQ (G5)  
24W = 1750lm  
54W = 4450lm

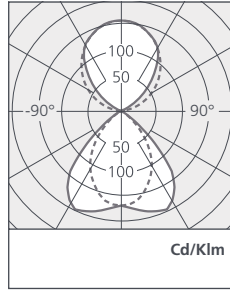


### LOST



page 305

T16-HO/FQ (G5)  
54W = 4450lm  
80W = 6150lm

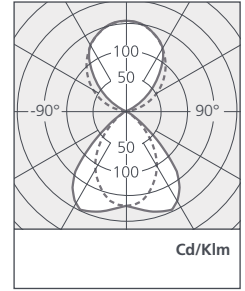


### LOST DUO



page 305

T16-HO/FQ (G5)  
54W = 4450lm  
80W = 6150lm

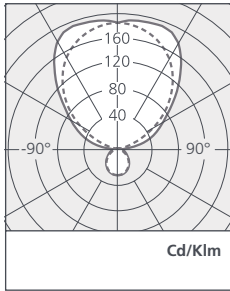


### MEGAN SYSTEM



page 319

T16 (G5)  
28W = 2600lm  
35W = 3300lm  
54W = 4450lm

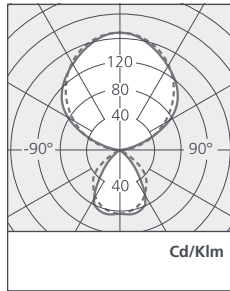


### MINI FLAP SYSTEM DUAL DARK LIGHT



page 328

T16 (G5)  
28W = 2600lm  
35W = 3300lm  
54W = 4450lm

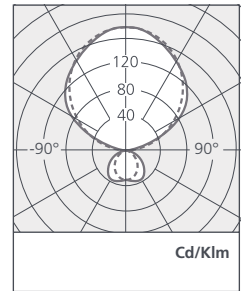


### MINI FLAP SYSTEM DUAL DIFFUSED



page 328

T16 (G5)  
28W = 2600lm  
35W = 3300lm  
54W = 4450lm

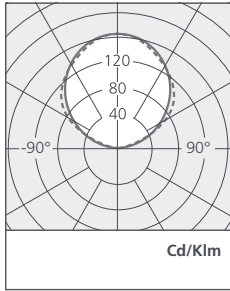


### MINI FLAP SYSTEM DUAL SPOT



page 328

T16 (G5)  
28W = 2600lm  
35W = 3300lm  
54W = 4450lm

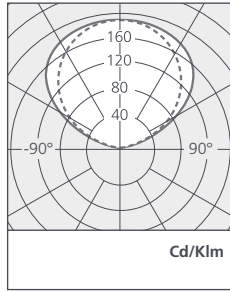


### MIX SYSTEM INDIRECT EMISSION



page 353

TC-LEL (2G11)  
55W = 4800lm

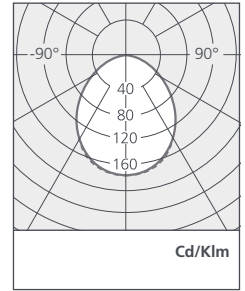


### MIX SYSTEM DIRECT EMISSION



page 353

TC-LEL (2G11)  
55W = 4800lm

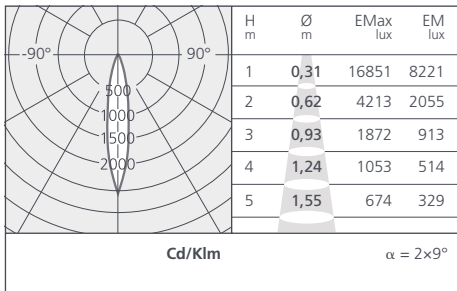


### MIX SYSTEM SPOTLIGHTING MODULES



page 354-355

HIT-CE (G12)  
70W = 6600lm

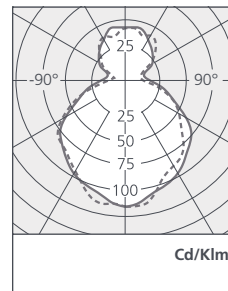


### MOUETTE ASYMMETRICAL



page 367

T16-HO/FQ (G5)  
24W = 1750lm  
54W = 4450lm

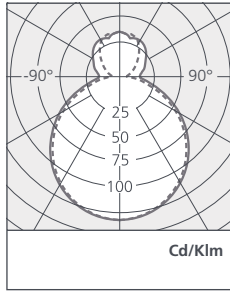


**MOUETTE SYMMETRICAL**



page 315

T16-HO/FQ (G5)  
24W = 1750lm



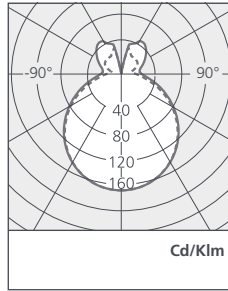
Cd/Klm

**MOUETTE MINI**



page 317

TC-LEL (2G11)  
36W = 2900lm



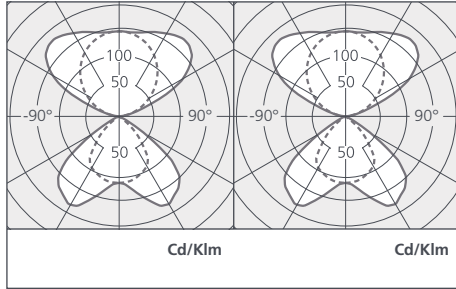
Cd/Klm

**NOTA BENE SUSPENSION**



page 248-249

T16 (G5)  
28W = 2600lm  
54W = 4450lm



Cd/Klm

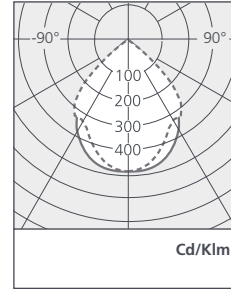
Cd/Klm

**NOTHING 86 SYSTEM SUSP. DARK LIGHT**



page 200

T16 (G5)  
28W = 2600lm  
54W = 4450lm



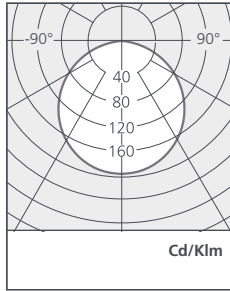
Cd/Klm

**NOTHING 86 SYSTEM SUSP. DIFFUSER**



page 200

T16 (G5)  
28W = 2600lm  
54W = 4450lm



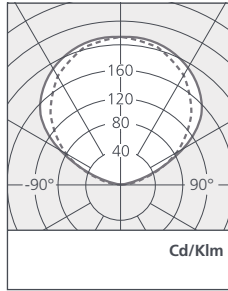
Cd/Klm

**ORION SYSTEM**



page 297

T16-HO/FQ (G5)  
54W = 4450lm



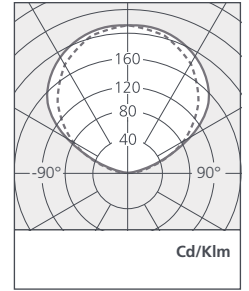
Cd/Klm

**ORION SUSPENSION**



page 299

TC-LEL (2G11)  
55W = 4800lm



Cd/Klm

**OUREA 156 HIT**



page 105

HIT-CE (G12)  
35W = 3300lm  
70W = 6600lm

	H m	Ø m	EMax lux	EM lux		H m	Ø m	EMax lux	EM lux		
35W	1	0,82	3435	1804	Cd/Klm	70W	1	0,86	5927	2883	
	2	1,65	859	451			2	1,72	1482	721	
	3	2,47	382	200			3	2,58	659	320	
	4	3,30	215	113			4	3,45	370	180	
	5	4,12	137	72			5	4,31	237	115	

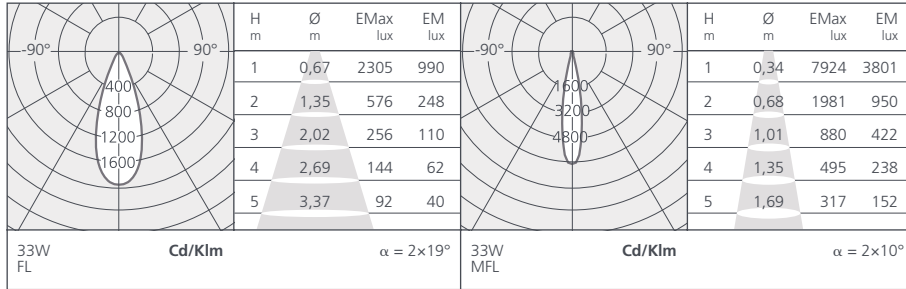
	H m	Ø m	EMax lux	EM lux		H m	Ø m	EMax lux	EM lux		
35W	1	1,30	1141	788	Cd/Klm	70W	1	1,35	2553	1294	
	2	2,61	285	197			2	2,70	638	324	
	3	3,91	127	88			3	4,05	284	144	
	4	5,22	71	49			4	5,40	160	81	
	5	6,52	46	32			5	6,75	102	52	

**OUREA 156 LED**



page 105

LED MONOCHROMATIC  
Luminous flux of the luminaire:  
33W/FL = 1174lm  
33W/MFL = 1242lm

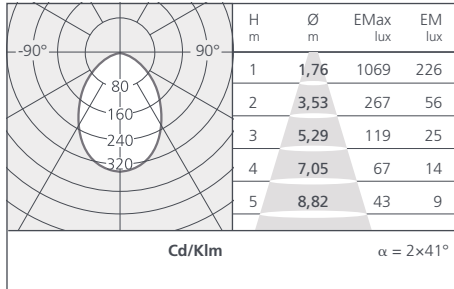


**OUREA 410 FLUO**



page 105

TC-TEL (GX24q-4)  
42W = 3200lm

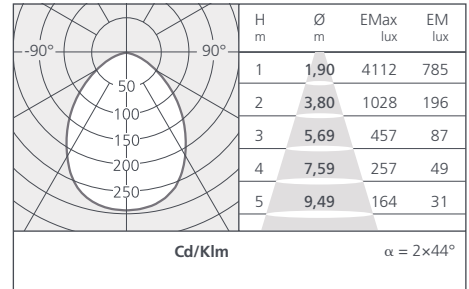


**OUREA 410 HIT**



page 105

HIT-CE (G12)  
150W = 14000lm

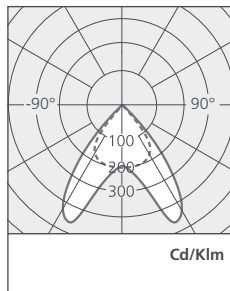


**RA SYSTEM DIRECT DARK LIGHT**



page 292

T16-HE/FH (G5)  
28W = 2600lm  
35W = 3300lm

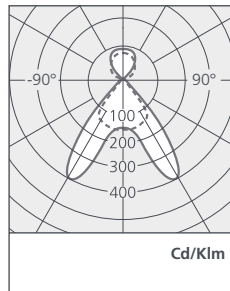


**RA SYSTEM INDIRECT/DIR.DARK LIGHT**



page 292

T16-HE/FH (G5)  
28W = 2600lm  
35W = 3300lm

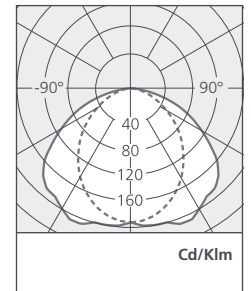


**RA SYSTEM DIRECT DIFFUSER**



page 292

T16-HE/FH (G5)  
28W = 2600lm  
35W = 3300lm

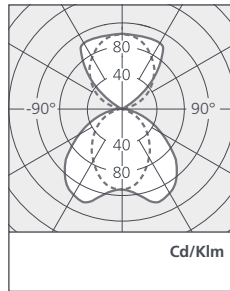


**RA SYSTEM INDIRECT/DIR. DIFFUSER**



page 292

T16-HE/FH (G5)  
28W = 2600lm  
35W = 3300lm

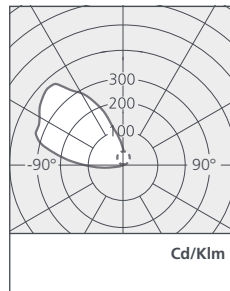


**RA SYSTEM INDIRECT ASYMMETRICAL**



page 293

T16-HE/FH (G5)  
28W = 2600lm  
35W = 3300lm

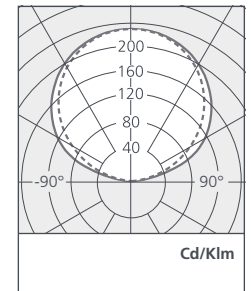


**SURF SYSTEM SUSPENSION**



page 219

T16-HE/FH (G5)  
14W = 1200lm  
28W = 2600lm  
35W = 3300lm  
T16-HE/FH (G5)  
24W = 1750lm  
39W = 3100lm  
54W = 4450lm  
80W = 6150lm

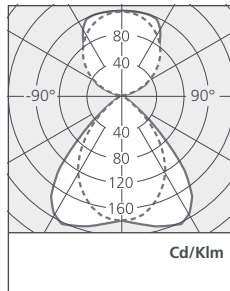


**TALO SYSTEM SUSPENSION**



page 256-257

T16-HO/FQ (G5)  
54W = 4450lm  
80W = 4450lm

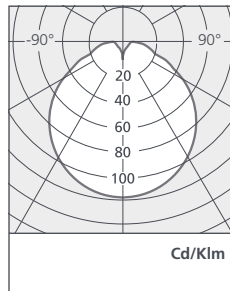


**TWIST**



page 307

T16-SLS (G5)  
28W = 2600lm  
54W = 4450lm



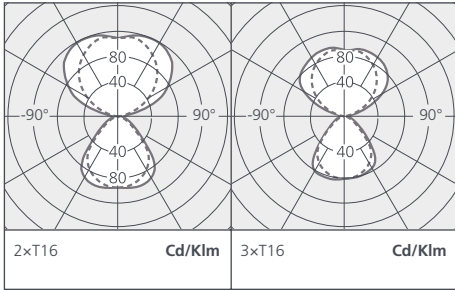
# WALL LUMINAIRES

## CHOCOLATE WALL



page 169

T16-HO/FQ (G5)  
24W = 1750lm



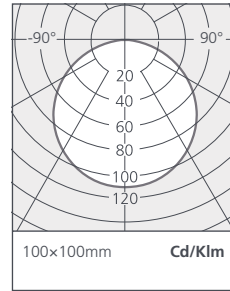
## COVER DIFFUSER



page 333



LED

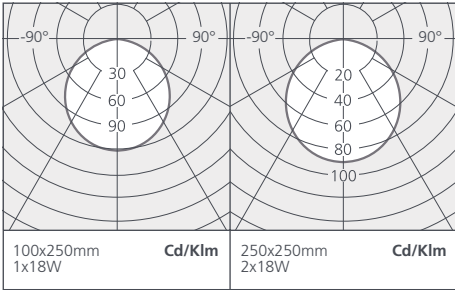


## COVER DIFFUSER



page 333

TC-LEL (2G11)  
18W = 1200lm

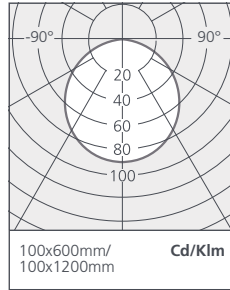


## COVER DIFFUSER



page 333

T16-HO/FQ (G5)  
24W = 1750lm  
54W = 4450lm



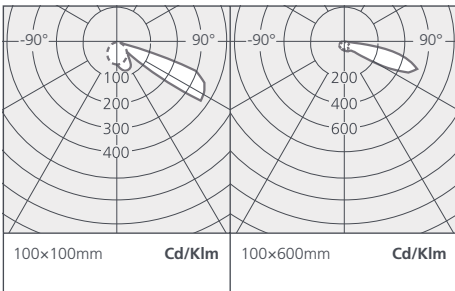
## COVER ASYMMETRIC



page 332



LED

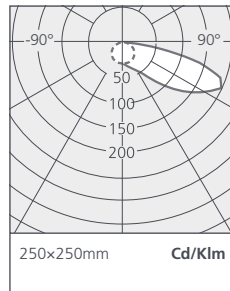


## COVER ASYMMETRIC



page 332

TC-LEL (2G11)  
18W = 1200lm

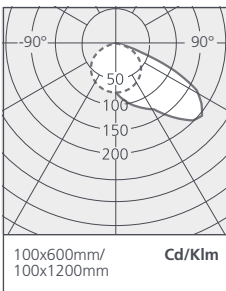


## COVER ASYMMETRIC



page 332

T16-HO/FQ (G5)  
24W = 1750lm  
54W = 4450lm

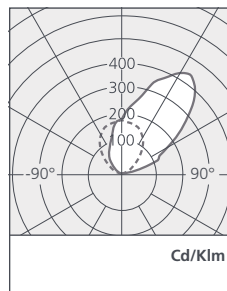


## FLAP WALL



page 278

QT-DE12 (R7S)  
120W ECO = 2300lm  
160W ECO = 3300lm  
230W ECO = 5000lm

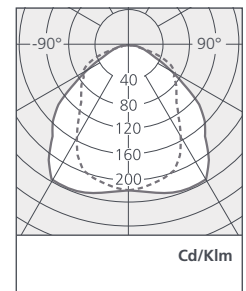


## FLAP TABLEAU II



page 287

QT9-UVr-ax (G4)  
20W = 320lm



## FOCAL WALL/SUSPENSION

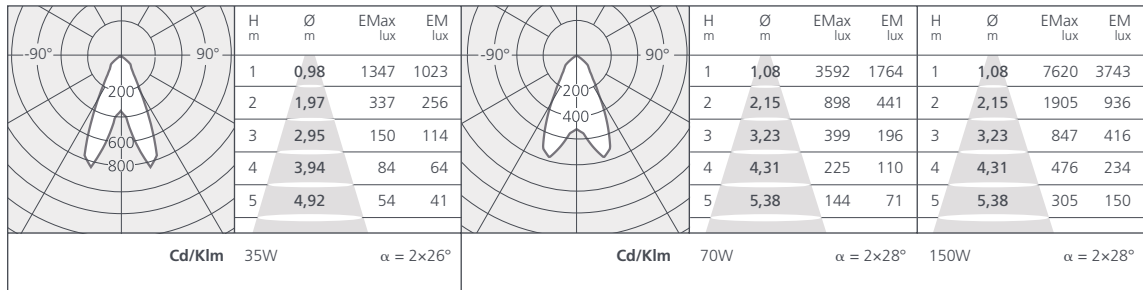
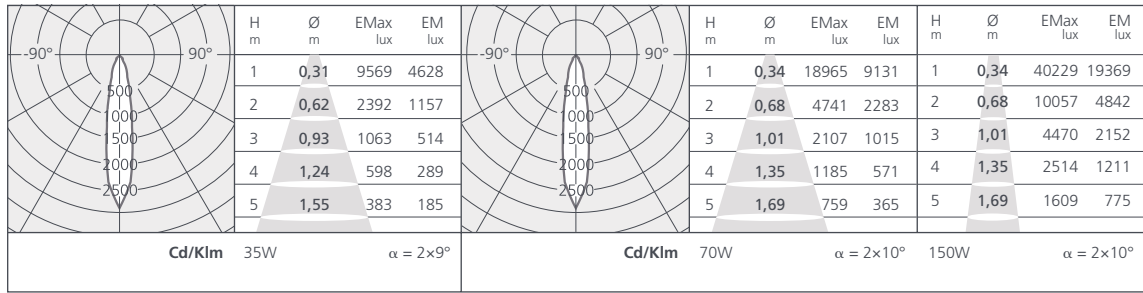


page 29

HIT-CE (G12)

35W = 3300lm  
70W = 6600lm  
150W = 14000lm

	H m	Ø m	E <sub>Max</sub> lux	E <sub>M</sub> lux		H m	Ø m	E <sub>Max</sub> lux	E <sub>M</sub> lux		H m	Ø m	E <sub>Max</sub> lux	E <sub>M</sub> lux		
Cd/Klm	1	0,13	57885	29022	α = 2x4°	Cd/Klm	1	0,13	115889	57682	α = 2x4°	Cd/Klm	1	0,13	245826	122356
	2	0,27	14471	7255			2	0,27	28972	14421			2	0,27	61457	30589
	3	0,40	6432	3225			3	0,40	12877	6409			3	0,40	27314	13595
	4	0,53	3618	1814			4	0,53	7243	3605			4	0,53	15364	7647
	5	0,66	2315	1161			5	0,66	4636	2307			5	0,66	9833	4894

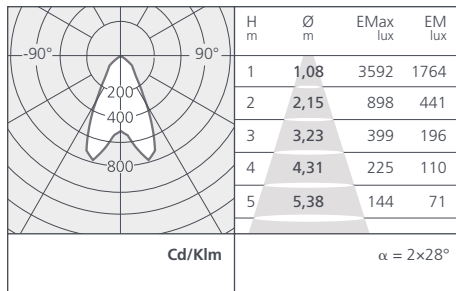
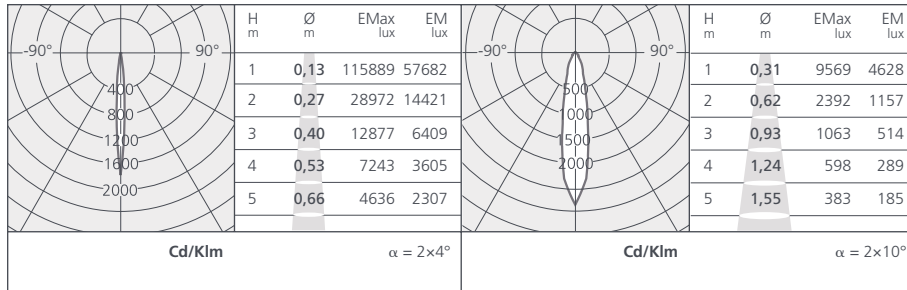


### FOCAL WALL/SUSPENSION



page 29

HIT-TC-CE (G8,5)  
70W = 6600lm

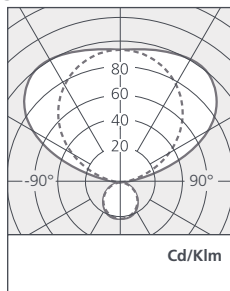


### KALIFA WALL TC-LEL



page 235

TC-LEL (2G11)  
55W = 4800lm

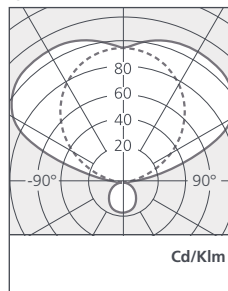


### KALIFA WALL T16



page 235

T16-HO/FQ (G5)  
24W = 1750lm  
80W = 6150lm

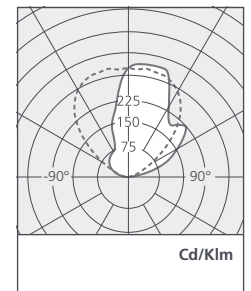


### KANJI 280



page 341

QT-DE12 (R7s)  
120W ECO = 2300lm  
160W ECO = 3300lm  
230W ECO = 5000lm

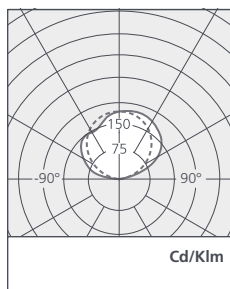


### KANJI 280



page 341

TC-DEL (G24q-3)  
26W = 1800lm

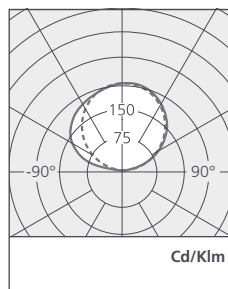


### KANJI 900



page 341

TC-LEL (2G11)  
55W = 4800lm  
80W = 6000lm

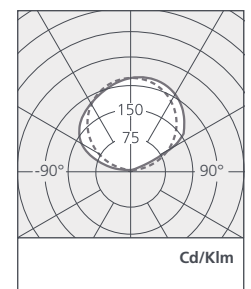


### KANJI 1600



page 399

T16 (G5)  
80W = 6150lm

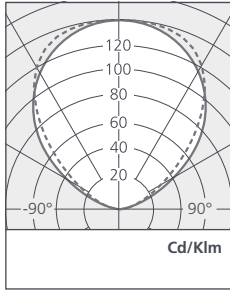


**KAO WALL**



page 325

T16-HO/FQ (G5)  
24W = 1750lm  
54W = 4450lm



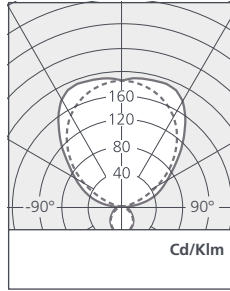
Cd/Klm

**MEGAN SYSTEM**



page 271

TC-LEL (2G11)  
55W = 4800lm



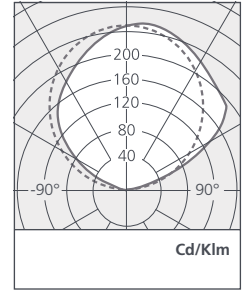
Cd/Klm

**MINI FLAP SYSTEM WALL INDIRECT**



page 281

T16 (G5)  
24W = 1750lm  
28W = 2600lm  
35W = 3300lm  
54W = 4450lm  
80W = 6150lm



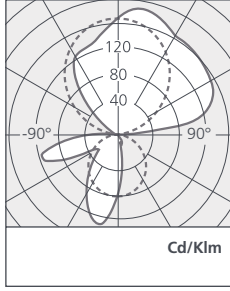
Cd/Klm

**MINI FLAP SYSTEM WALL INDIRECT+DIRECT WALL WASHER**



page 281

T16 (G5)  
24W = 1750lm  
28W = 2600lm  
35W = 3300lm  
54W = 4450lm  
80W = 6150lm



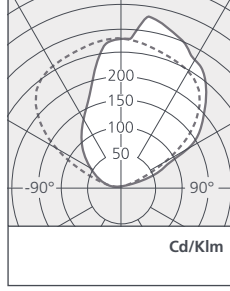
Cd/Klm

**MINISURF WALL HALO**



page 223

QT-DE12 (R75)  
120W ECO = 2300lm



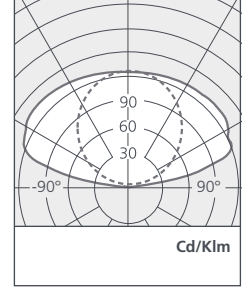
Cd/Klm

**MINISURF WALL FLUO**



page 223

T16-HO/FQ (G5)  
24W = 1750lm



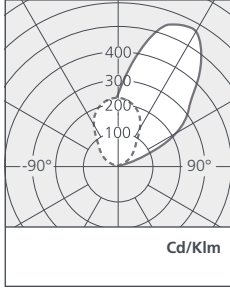
Cd/Klm

**PRADO WALL**



page 343

HIT-DE-CE-h45  
70W = 6300lm  
150W = 13500lm



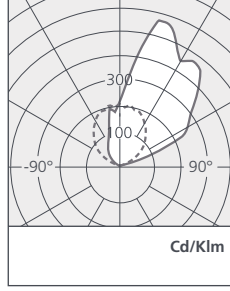
Cd/Klm

**PRADO WALL**



page 343

QT-DE12 (R75)  
120W ECO = 2300lm  
160W ECO = 3300lm  
230W ECO = 5000lm



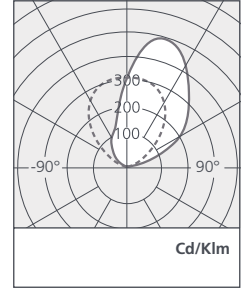
Cd/Klm

**PRADO WALL**



page 343

TC-TEL (GX24q-4)  
42W = 3200lm



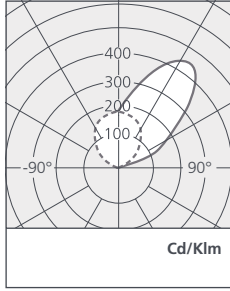
Cd/Klm

**SQUARE**



page 339

QT-DE12 (R75)  
120W ECO = 2300lm  
160W ECO = 3300lm  
230W ECO = 5000lm



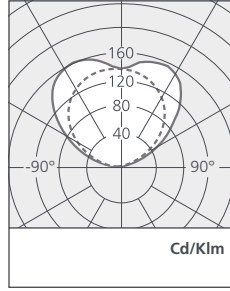
Cd/Klm

**SQUARE**



page 339

TC-DEL (G24q-2)  
18W = 1200lm



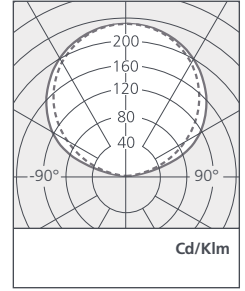
Cd/Klm

**SURF SYSTEM WALL**



page 219

T16 (G5)  
14W = 1200lm  
28W = 2600lm  
35W = 3300lm  
24W = 1750lm  
39W = 3100lm  
54W = 4450lm  
80W = 6150lm



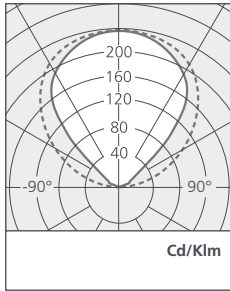
Cd/Klm

**SURF WALL 300 FLUO**



page 221

TC-LEL (2G11)  
18W = 1200lm



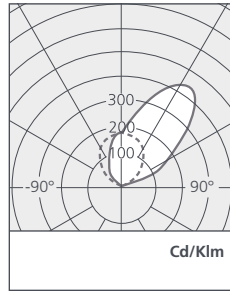
Cd/Klm

**SURF WALL 300 HALO**



page 221

QT-DE12 (R75)  
300W = 5000lm



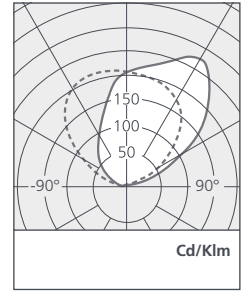
Cd/Klm

**SURF WALL 460 HIT**



page 221

HIT-DE-CE-h45 (RX7s)  
150W = 11250lm



Cd/Klm

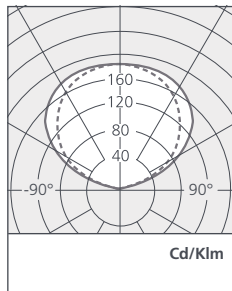
### SURF WALL 460 FLUO



page 221



TC-LEL (2G11)  
36W = 2900lm



Cd/Klm

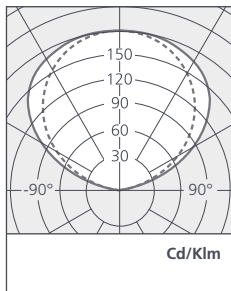
### SURF WALL 600



page 221



TC-LEL (2G11)  
55W = 4800lm



Cd/Klm

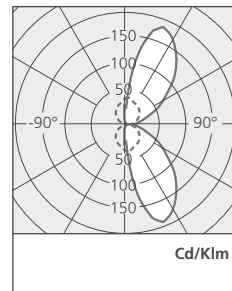
### TRAFFIC SYSTEM



page 337



T16-HE/FH (G5)  
28W = 2600lm  
35W = 3300lm



Cd/Klm

## OUTDOOR

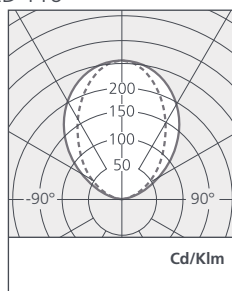
### RIVOLI RECESSED T16



page 347



T16 (G5)  
28W = 2600lm  
35W = 3300lm  
54W = 4450lm



Cd/Klm

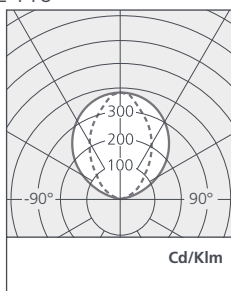
### RIVOLI CORNICE T16



page 349



T16 (G5)  
24W = 1750lm  
28W = 2600lm  
35W = 3300lm  
54W = 4450lm



Cd/Klm

# GENERAL TERMINOLOGY

classification according to the electrical protection

type of installation

ingress protection (IP)

resistance to incandescent wire


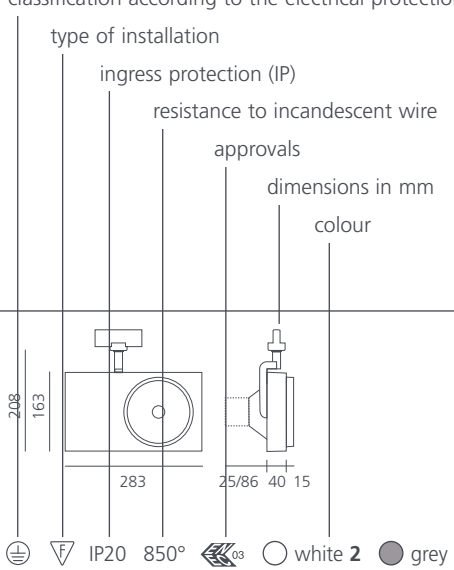
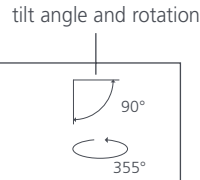
approvals


dimensions in mm

colour

tilt angle and rotation

**PRODUCT NAME**

HIT-TC-CE (G8,5) 

light source

colour code

CODE	LIGHT SOURCE	LENGTH	WEIGHT
M0000.0	00x00W	000mm	0,00kg



## CLASS I

The safety of the luminaire is guaranteed by an additional protective conductor (earth) connected with the metal frame of the lamp.



## CLASS II

The safety of the luminaire is guaranteed by the double reinforced insulation of conductive parts, and without earth connection.



## CLASS III

The luminaire is fitted with a protection device against electrical shock that features a very low voltage power supply and prevents it from generating higher voltages.

Note: a Class III luminaire does not have to be equipped with an earth protection.

## SURFACES FOR INSTALLATION



Luminaire suitable for installation on normally inflammable surfaces.



Luminaire suitable only for mounting on non-combustible surfaces.



Luminaire suitable for installation on normally inflammable surfaces, into ceilings covered with an insulator.



Luminaire not suitable for covering with thermally insulating material.

## APPROVALS



ENEC Certification of European Conformity



IMQ Italian Institute of Quality Mark



CCC China Compulsory Certification



MINERGIE® Swiss standard for sustainable buildings.

## DIMENSIONS

Dimensions are given in millimeters.

## CODES

The codes of products available in different colours are indicated only with the fixed digits. They must be completed with digits shown in the colour chart.

## SUPPLY VOLTAGE

All fittings are manufactured for 230-240V/50Hz power supply voltage.

## IP RATE

Electrical fittings are preset in order to prevent the intrusion and contact with solids and liquids with live parts.

Resistance against the penetration of solids and liquids is expressed by the initials IP, followed by two digits that stand for the degree of protection: the first referring to solids, the second to liquids.

## FIRST DIGIT

0 Non-protected.

1 Protected against the penetration of solid objects greater than 50 mm.

2 Protected against the penetration of solid objects greater than 12 mm.

3 Protected against the penetration of solid objects greater than 2.5 mm.

4 Protected against the penetration of solid objects greater than 1 mm.

5 Dust-protected.

6 Dust-tight.

## SECOND DIGIT

0 Non-protected.

1 Protected against dripping water.

2 Protected against dripping water when tilted up to 15°.

3 Protected against spraying water.

4 Protected against splashing water.

5 Protected against water jets.

6 Protected against heavy seas.

7 Protected against the effects of immersion.

8 Protected against submersion.

**PHOTOMETRIC DISTRIBUTION DATA**

From these diagrams, it is possible to make an initial assessment of the product to be used and the amount to be installed, etc. (a more accurate analysis based on the work plane reflectances etc. should be carried out later, in order to establish the effects of environmental characteristics on illuminance). Briefly, the chart shows:

- average and maximum illuminance (lux) of the area in the diagram.
- the main beam diameter within the cone area.

The values of illuminance are shown for varying mounting heights of 1 to 5 meters.

**SPREAD OF BEAM**

Shows the flat angle including the directions in which 50% of the maximum intensity exists.

Symmetrical emission can be symbolized by  $\sphericalangle 2\alpha^\circ$ .

Luminaires are classified according to angles of emission, as shown here below.

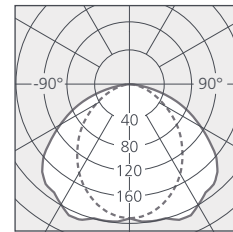
The spread of beam is only given for luminaires having a symmetrical distribution.

**PHOTOMETRIC CURVES IN POLAR COORDINATES**

These represent the light intensity distribution (in cd/klm = candles/1000 lumen) emitted by the luminaire on the planes that contain the optical axis of the luminaire.

Two curves are indicated for each luminaire. The first refers to the transversal C0 - C180 plane (continuous line) and the second to the longitudinal C90 - C270 plane (dotted line). The photometric curves define important lighting engineering features of the luminaire itself such as the light flow control, the type of emission, the maximum intensity. Furthermore they can be used to calculate the lighting levels at each point of a given plane.

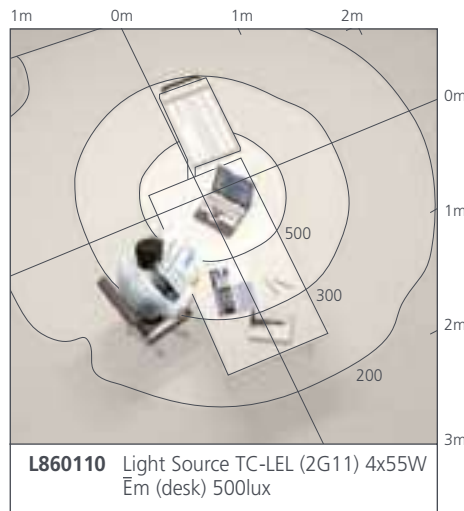
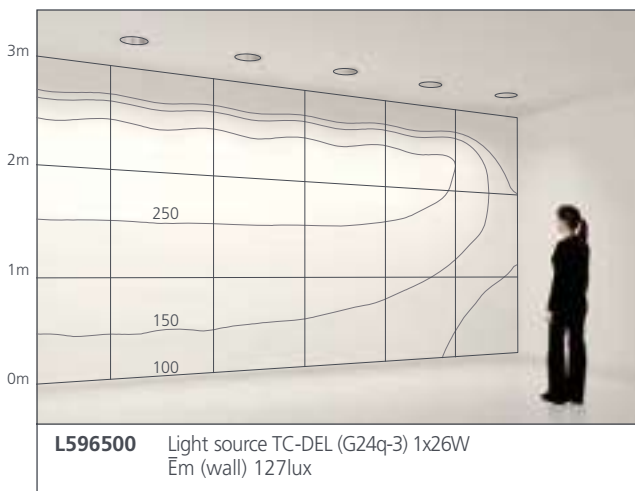
The photometric curves shown in this catalogue are only indicative. For accurate photometric data, calculations should be taken from Dialux lighting programme.



	VWFL very-wide-flood emission $\alpha > 2 \times 30^\circ$	WFL wide-flood emission $2 \times 20^\circ < \alpha \leq 2 \times 30^\circ$	FL flood emission $2 \times 15^\circ < \alpha \leq 2 \times 20^\circ$	MFL medium-flood emission $2 \times 10^\circ < \alpha \leq 2 \times 15^\circ$	SP spot emission $2 \times 5^\circ < \alpha \leq 2 \times 10^\circ$

**ISOLUX DIAGRAMS**

A graphical representation of the illuminance distribution on a vertical surface (wall washer luminaires) or a working plane (floor lamps). The isolux curve lines link the points of equal illuminance.



# CODES INDEX

CODE	PAGE	CODE	PAGE	CODE	PAGE	CODE	PAGE	CODE	PAGE	CODE	PAGE	CODE	PAGE	CODE	PAGE	CODE	PAGE
L161020	51	L171821	57	L567900	343	L599540	175	L860610	369	M004800	412	M018760	114	M020920SP	121	M027501	36
L161030	51	L171830	57	L570100	343	L599570	175	L860650	369	M004805	412	M018810	114	M021010	122	M027503	36
L161090	51	L171831	57	L570200	343	L599590	175	L860710	369	M004810	412	M018820	114	M021011	122	M027601	36
L162520	51	L171870	57	L570900	343	L599620	174	L860750	369	M004815	412	M018860	114	M021020	122	M027603	36
L162530	51	L171871	57	L571000	343	L599640	174	L860810	371	M004830	413	M018910	114	M021021	122	M027701	36
L162590	51	L172020	57	L571110	343	L599720	174	M001005	411	M004835	413	M018920	114	M021110	122	M027703	36
L165020	51	L172021	57	L571140	343	L599740	174	M001010	411	M011313	55	M018960	114	M021111	122	M027801	36
L165030	51	L172030	57	L571150	343	L599820	174	M001020	411	M011363	55	M019020	151	M021120	122	M027803	36
L165090	51	L172031	57	L571210	343	L599840	174	M001050	411	M011413	55	M019110	118	M021121	122	M027901	36
L170020	57	L172620	57	L571240	343	L599900	174	M001060	411	M011463	55	M019120	118	M021210	122	M027903	36
L170021	57	L172621	57	L571250	343	L600320	155	M001140	411	M011764	54	M019160	118	M021220	122	M028001	36
L170030	57	L172720	57	L571600	343	L600370	155	M001155	411	M011864	54	M019210	118	M021310	122	M028003	36
L170031	57	L172721	57	L571700	343	L600390	155	M001160	411	M012013	55	M019220	118	M021320	122	M028101	36
L170070	57	L172820	57	L571800	343	L600420	155	M001165	411	M012063	55	M019260	118	M021410	123	M028103	36
L170071	57	L172821	57	L572400	343	L600470	155	M001170	411	M012113	55	M019310FL	118	M021411	123	M028201	36
L170120	57	L173220	57	L572500	343	L600490	155	M001175	411	M012163	55	M019310MFL	118	M021417	123	M028203	36
L170121	57	L173221	57	L572600	343	L600620	155	M001180	411	M012213	55	M019310SP	118	M021420	123	M028301	36
L170130	57	L173320	57	L572700	343	L600670	155	M001185	411	M012263	55	M019320FL	118	M021421	123	M028303	36
L170131	57	L173400	57	L573300	343	L600690	155	M001195	411	M012313	55	M019320MFL	118	M021427	123	M028401	36
L170170	57	L173420	57	L573400	343	L601020	156	M001220	411	M012363	55	M019320SP	118	M021510	123	M028403	36
L170171	57	L173430	57	L575000	343	L601070	156	M001230	411	M015262	335	M019360FL	118	M021511	123	M033400	183
L170220	57	L173520	57	L575100	343	L601090	156	M001245	411	M015462	335	M019360MFL	118	M021520	123	M035500	183
L170221	57	L176420	57	L575200	343	L601920	156	M001250	411	M015562	335	M019360SP	118	M021521	123	M035507	183
L170230	57	L176421	57	L580300	341	L601970	156	M001300	411	M017010FL	114	M019410	118	M021715	135	M035700	183
L170231	57	L176520	57	L580400	341	L601990	156	M001310	411	M017010MFL	114	M019411	118	M021755	135	M036100	183
L170270	57	L176521	57	L580900	341	L603420	157	M001330	411	M017400	139	M019420	118	M021795	135	M041200	145
L170271	57	L230600	43	L581000	341	L603470	157	M001340	411	M017020FL	114	M019421	118	M021815	135	M041205	145
L170320	57	L230610	43	L590300	169	L603490	157	M001360	411	M017020MFL	114	M019460	118	M021855	135	M041260	145
L170321	57	L230620	43	L590600	169	L603620	157	M001365	411	M017020SP	114	M019461	118	M021895	135	M041265	145
L170330	57	L230800	43	L591220	169	L603670	157	M001370	411	M017060FL	114	M019510	118	M021915	135	M041400	142
L170331	57	L230810	43	L591320	169	L603690	157	M001390	411	M017060MFL	114	M019511	118	M021955	135	M041405	143
L170370	57	L230820	43	L591390	169	L607720	157	M001395	411	M017060SP	114	M019520	118	M021995	135	M041410	142
L170371	57	L231200	45	L591520	169	L607770	157	M002010	410	M017300	139	M019521	118	M022061	337	M041415	143
L170420	57	L231210	45	L591540	169	L607790	157	M002025	410	M017400	139	M019560	118	M022161	337	M041460	142
L170430	57	L231220	45	L591570	169	L610420	160	M002035	410	M017510SP	114	M019561	118	M022315	135	M041465	143
L170520	57	L231400	45	L591590	169	L610490	160	M002040	410	M017510WFL	114	M019610	118	M022355	135	M041520	142
L170530	57	L231410	45	L593000	170	L611120	161	M002045	410	M017520SP	114	M019620	118	M022395	135	M041530	142
L170620	57	L231420	45	L593001	170	L612220	161	M002220	410	M017520WFL	114	M019660	118	M022415	135	M041590	142
L170621	57	L234500	43	L593100	170	L613520	160	M002230	410	M017560SP	114	M019710	118	M022455	135	M041600	142
L170630	57	L234510	43	L593200	170	L613590	160	M003020	413	M017560WFL	114	M019720	118	M022495	135	M042500	143
L170631	57	L234520	43	L594600	171	L621000	155	M003030	413	M017610SP	114	M019760	118	M022515	135	M042905	143
L170670	57	L234600	43	L594601	171	L621001	155	M003080	413	M017610WFL	114	M019810	119	M022555	135	M042915	143
L170671	57	L234610	43	L594700	171	L621002	160	M003090	413	M017620SP	114	M019811	119	M022595	135	M042965	143
L170720	57	L234620	43	L594800	171	L621003	156, 161	M003150	413	M017620WFL	114	M019817	119	M023001	401	M043000	142
L170721	57	L235200	45	L596300	174	L621100	169	M003155	413	M017660SP	114	M019820	119	M023061	401	M043101	142
L170730	57	L235210	45	L596400	174	L621101	174	M003160	413	M017660WFL	114	M019821	119	M023223	33	M043060	142
L170731	57	L235220	45	L596500	174	L621102	175	M003165	413	M017710	115	M019827	119	M023323	33	M043115	62
L170770	57	L235300	45	L596600	170	L621200	160	M003170	413	M017711	115	M019860	119	M023423	33	M043215	62
L170771	57	L235310	45	L596610	177	L685700	319	M003175	413	M017720	115	M019861	119	M023515	135	M043315	62
L170920	57	L235320	45	L596620	177	L685720	319	M003178	413	M017721	115	M019867	119	M023555	135	M043415	62
L170921	57	L235400	45	L596650	177	L685800	319	M003185	413	M017760	115	M019910	119	M023595	135	M043515	63
L170930	57	L235410	45	L596660	177	L685820	319	M003190	413	M017761	115	M019911	119	M023615	135	M043800	139
L170931	57	L235420	45	L596700	170	L685900	319	M003260	413	M017810	118	M019920	119	M023655	135	M043805	139
L170970	57	L235500	45	L596710	177	L685920	319	M003270	413	M017820	118	M019921	119	M023695	135	M044105	143
L170971	57	L235510	45	L596720	177	L686100	319	M003275	413	M017860	118	M019960	119	M023715	135	M046100	144
L171020	57	L235520	45	L596750	177	L686120	319	M003280	413	M017910SP	118	M019961	119	M023755	135	M046105	144
L171021	57	L237000	43	L596760	177	L686200	319	M003290	413	M017910WFL	118	M020010	119	M023795	135	M046200	142
L171030	57	L237100	43	L596800	170	L686206	319	M003310	413	M017920SP	118	M020011	119	M023815	135	M046300	142
L171031	57	L237200	43	L596810	177	L686220	319	M003320	413	M017920WFL	118	M020017	119	M023855	135	M046310	142
L171070	57	L237340	43	L596820	177	L686226	319	M003330	413	M017960SP	118	M020020	119	M023895	135	M046360	142
L171071	57	L237350	43	L596850	177	L687000	319	M003340	413	M017960WFL	118	M020021	119	M023915	135	M046500	145
L171120	57	L237360	43	L596860	177	L687100	319	M004031	412	M018010SP	118	M020027	119	M023955	135	M046505	145
L171121	57	L237380	43	L596900	170	L687120	319	M004035	412	M018010WFL	118	M020060	119	M023995	135	M046560	145
L171130	57	L237400	43	L596910	177	L687200	319	M004060	412	M018020SP	118	M020061	119	M024120	277	M046565	145
L171131	57	L237500	43	L596920	177	L687220	319	M004140	412	M018020WFL	118	M020067	119	M024190	277	M046600	142
L171170	57	L237600	43	L596950	177	L687300	319	M004181	412	M018060SP	118	M020110	119	M024220	277	M046700	142
L171171	57	L238000	45	L596960	177	L687320	319	M004188	412	M018060WFL	118	M020111	119	M024290	277	M046800	143
L171220	57	L238100	45	L597220	174	L689000	319	M004190	412	M018110	114	M020120	119	M024320	277	M047900	138
L171221	57	L238200	45	L597320	174	L689020	319	M004230	412	M018111	114	M020121	119	M024327	277	M047905	138
L171230	57	L238400	45	L597390	174	L689100	319	M004280	412	M018117	114	M020160	119	M0			

CODE	PAGE	CODE	PAGE	CODE	PAGE	CODE	PAGE	CODE	PAGE	CODE	PAGE	CODE	PAGE	CODE	PAGE		
M049455	64	M080085	85, 149	M086261	334	M106920	290	M116020	104	M139720	69	M160600	183	M167091	269	M171600	91
M049465	64	M080127	48	M086835	49	M106990	290	M116040	104	M139820	69	M160602	183	M167120	267	M171601	91
M049555	64	M080137	48	M089361	334	M107020	290	M116050	104	M144220	263	M160700	285	M167121	267	M171607	91
M049565	64	M080305	48	M089461	334	M107090	290	M116120	105	M144290	263	M160701	285	M167190	267	M171700	91
M049655	65	M080315	48	M089561	334	M107120	290	M116140	105	M144320	263	M160702	285	M167191	267	M171701	91
M049665	65	M080325	48	M090020	259	M107121	290	M116150	105	M144390	263	M160707	285	M167220	267	M171800	91
M049700	71	M080335	48	M090090	259	M107190	290	M116320	105	M148690	305	M160721	285	M167221	267	M171801	91
M049865	64	M080403	183	M090120	259	M107191	290	M116340	105	M148691	305	M161020	287	M167290	267	M171900	91
M049965	64	M080405	323	M090190	259	M107220	290	M116350	105	M148790	305	M161090	287	M167291	267	M171901	91
M050201	401	M080415	323	M090220	259	M107290	290	M116420	108	M148791	305	M161120	287	M167820	280	M171907	91
M050261	401	M080425	323	M090290	259	M107320	290	M116440	108	M148890	305	M161190	287	M167821	280	M172000	91
M054001	401	M080435	323	M090320	259	M107321	290	M116450	108	M148891	305	M161220	287	M167826	280	M172001	91
M054061	401	M080445	323	M090390	259	M107390	290	M116620	108	M148892	305	M161290	287	M167829	280	M172100	92
M054101	401	M080455	323	M090420	259	M107391	290	M116640	108	M148897	305	M161820	287	M167890	280	M172101	92
M054161	401	M080505	331	M090490	259	M107520	291	M116650	108	M148990	305	M161890	287	M167891	280	M172200	92
M059001	49	M080515	329	M090520	259	M107590	291	M116720	108	M150069	331	M162400	185	M167896	280	M172201	92
M059003	49	M080525	329	M090590	259	M107620	291	M116740	108	M150168	331	M162401	185	M167899	280	M172300	92
M059061	49	M080535	25	M090620	259	M107621	291	M116750	108	M150169	331	M162402	185	M168020	280	M172301	92
M059063	49	M080545	25	M090690	259	M107627	291	M116820	109	M150268	331	M162407	185	M168021	280	M172400	91
M059401	49	M080800	25	M090720	259	M107690	291	M116840	109	M150269	331	M162421	185	M168026	280	M172500	92
M059403	49	M081007	401	M090790	259	M107691	291	M116850	109	M150368	331	M163120	187	M168029	280	M173020	349
M059461	49	M081047	145	M090820	259	M107697	291	M117020	109	M150369	331	M163122	187	M168090	280	M173021	349
M059463	49	M081147	48	M090890	259	M107720	291	M117040	109	M150468	331	M163127	187	M168091	280	M173027	349
M060720	261	M081157	49	M090920	259	M107790	291	M117050	109	M150469	331	M163320	187	M168096	280	M173500	347, 349
M060790	261	M081167	49	M090990	259	M107820	291	M119120	377	M150569	331	M163321	187	M168099	280	M173520	347, 349
M060955	261	M081177	401	M091125	259	M107821	291	M119220	377	M150668	331	M163322	187	M168200	281	M173700	347, 349
M060966	261	M081717	25	M091195	259	M107827	291	M119320	377	M150669	331	M163324	187	M168420	282	M173720	347, 349
M061520	261	M081727	25	M091220	259	M107890	291	M119420	377	M150768	331	M163327	187	M168421	282	M173800	347, 349
M061590	261	M081737	25	M091290	259	M107891	291	M119600	407	M150769	331	M163400	187	M168426	282	M173820	347, 349
M061820	397	M081907	37	M091320	259	M107897	291	M128800	405	M150868	331	M163520	187	M168429	282	M174500	37
M061890	397	M082007	37	M091390	259	M108020	291	M128900	405	M150869	331	M163810	195	M168490	282	M174600	37
M061920	397	M082107	37	M091520	259	M108120	291	M129000	405	M150968	331	M163811	195	M168491	282	M174700	37
M061990	397	M082207	37	M091590	259	M108190	291	M129100	405	M150969	331	M163816	195	M168496	282	M174800	37
M062620	84	M082307	37	M091820	259	M108220	291	M129200	405	M152668	328	M163820	195	M168499	282	M174900	37
M062720	84	M082407	37	M091890	259	M108290	291	M129300	405	M152669	328	M163821	195	M168520	281	M175000	37
M063220	85	M082507	37	M092220	395	M108320	291, 313	M129400	405	M152768	328	M163826	195	M168521	281	M175100	37
M063320	85	M082617	25	M092290	395	M108420	291	M129500	405	M152769	328	M163910	194	M168526	281	M175200	37
M063520	85	M082627	25	M092320	395	M108490	291	M130090	353	M152868	328	M163911	194	M168529	281	M175300	37
M063620	85	M082637	25	M092390	395	M108520	291	M130190	355	M152869	328	M163916	194	M168590	281	M176000	37
M064020	84	M082717	25	M092420	395	M108590	291	M130290	355	M153268	328	M163919	194	M168591	281	M176100	37
M064120	84	M082727	25	M092490	395	M108620	291	M130390	355	M153269	328	M163920	194	M168596	281	M176200	37
M064420	85	M082737	25	M092520	395	M108690	291	M130490	355	M153368	328	M163921	194	M168599	281	M176300	37
M064620	85	M082817	25	M092590	395	M108720	291	M130590	355	M153369	328	M163926	194	M168620	281	M176400	37
M064720	85	M082827	25	M092620	395	M108790	291	M130690	355	M153468	328	M163929	194	M168621	281	M176500	37
M064820	85	M082837	25	M092690	395	M109020	294	M131490	354	M153469	328	M164110	194	M168626	281	M176600	37
M064900	84	M082917	25	M092720	395	M109021	294	M131590	354	M153868	328	M164111	194	M168629	281	M176700	37
M065000	85	M082927	25	M092790	395	M109027	294	M132290	354	M153869	328	M164116	194	M168690	281	M176800	37
M066220	261	M082937	25	M093220	395	M109090	294	M132390	354	M153968	328	M164119	194	M168691	281	M176920	131
M066290	261	M083017	25	M093290	395	M109091	294	M132690	354	M153969	328	M164120	194	M168696	281	M177020	131
M066355	261	M083027	25	M093320	395	M109097	294	M132790	354	M154068	328	M164121	194	M168699	281	M177120	131
M066366	261	M083037	25	M093390	395	M109120	294	M133090	353	M154069	328	M164126	194	M168720	283	M177220	131
M067920	89	M083117	25	M093420	395	M109121	294	M133190	353	M154500	312	M164129	194	M168721	283	M177320	131
M068120	89	M083127	25	M093490	395	M109190	294	M133290	355	M154501	312	M164200	195	M168726	283	M177520	347
M068220	89	M083137	25	M093520	323	M109191	294	M133390	355	M154600	312	M164510	197	M168729	283	M177521	347
M068520	89	M083317	25	M093620	323	M109220	295	M135310	300	M154601	312	M164520	197	M168790	283	M177527	347
M068620	89	M083327	25	M093720	323	M109221	295	M135311	300	M155000	312	M164610	197	M168791	283	M177720FL	131
M069025	86	M083337	25	M093820	323	M109290	295	M135320	300	M155001	312	M164620	197	M168796	283	M177720MFL	131
M069055	86	M083417	25	M093920	323	M109291	295	M135321	300	M155007	312	M164710	199	M168799	283	M177820FL	131
M069125	86	M083427	25	M094020	323	M109320	295	M135410	301	M155100	312	M164720	199	M168820	283	M177820MFL	131
M069155	86	M083437	25	M094120	323	M109321	295	M135411	301	M155101	312	M164810	199	M168821	283	M178020	347
M069225	86	M083517	25	M094220	323	M109390	295	M135420	301	M155107	312	M164811	199	M168826	283	M178120	347
M069255	86	M083527	25	M094320	323	M109391	295	M135421	301	M155600	313	M164820	199	M168829	283	M178220	347
M069325	86	M083537	25	M094420	323	M113020	381	M135510	301	M156000	313	M164821	199	M168890	283	M178320	347
M069355	86	M083617	25	M094520	259	M113120	381	M135511	301	M156100	313	M165420	275	M168891	283	M178420	347
M069425	87	M083627	25	M094590	259	M113220	381	M135520	301	M156200	313	M165490	275	M168896	283	M178520	347
M069455	87	M083637	25	M094620	259	M113300	363	M135521	301	M156300	313	M165520	275	M168899	283	M178720	131
M069525	86	M083717	25	M094690	259	M113301	363	M135610	301	M156400	313	M165521	275	M168920	283	M178820	127
M069625	86	M083727	25	M094720	259	M113400	363	M135611	301	M156600	313	M165527	275	M168921	283	M178920	127
M070032	84	M083737	25	M094790	259	M113401	363	M135620	301	M156700	313	M165590	275	M168926	283	M179020	127
M070211	54	M083817	25	M094820	259	M114920	103	M135621	301	M157220FL	129	M165591	275	M168990	283	M179120	127
M070322	6																

CODE	PAGE	CODE	PAGE	CODE	PAGE	CODE	PAGE	CODE	PAGE	CODE	PAGE	CODE	PAGE	CODE	PAGE	CODE	PAGE
M181590	271	M191425FL	75, 79	M200302	28, 218	M208120	226	M217900	214	M223411MFL	20	M223861WFL	20	M224223MFL	21	M224463WFL	21
M181591	271	M191425MFL	75, 79	M200303	28	M208160	226	M218000	214	M223411SP	20	M223863SP	20	M224223SP	21	M224511FL	22
M181620	271	M191460FL	74, 78	M200304	29	M208220	226	M218100	214	M223413FL	20	M223863WFL	20	M224233WFL	21	M224511SP	22
M181621	271	M191460MFL	74, 78	M200401	29	M208260	226	M218200	214	M223413MFL	20	M223911SP	20	M224231FL	21	M224513FL	22
M181690	271	M191464FL	75, 79	M200402	28, 218	M208320	226	M218300	214	M223413SP	20	M223911WFL	20	M224231MFL	21	M224513SP	22
M181691	271	M191464MFL	75, 79	M200403	28	M208360	226	M218400	215	M223421FL	20	M223913SP	20	M224231SP	21	M224521FL	22
M182060	69	M191465FL	75, 79	M200404	29	M208420	227	M218500	215	M223421MFL	20	M223913WFL	20	M224231WFL	21	M224521SP	22
M182160	69	M191465MFL	75, 79	M200501	29	M208460	227	M218600	215	M223421SP	20	M223921SP	20	M224233FL	21	M224523FL	22
M182210	69, 93	M191710	74, 78	M200502	28, 218	M208520	227	M218700	215	M223423FL	20	M223921WFL	20	M224233MFL	21	M224523SP	22
M182310	69, 93	M191714	75, 79	M200503	28	M208560	227	M218800	214	M223423MFL	20	M223923SP	20	M224233SP	21	M224531FL	22
M182410	69, 93	M191715	75, 79	M200504	29	M208620	224	M218900	214	M223423SP	20	M223923WFL	20	M224233WFL	21	M224531SP	22
M182510	69, 93	M191720	74, 78	M203700	217	M208660	224	M219000	214	M223431FL	20	M223931SP	20	M224241FL	21	M224533FL	22
M182700	93	M191724	75, 79	M203800	217	M208720	224	M219100	214	M223431MFL	20	M223931WFL	20	M224241MFL	21	M224533SP	22
M182800	93	M191725	75, 79	M203900	217	M208760	224	M219200	215	M223431SP	20	M223933SP	20	M224241SP	21	M224541FL	22
M182900	93	M191760	74, 78	M204000	214	M208820	224	M219300	215	M223433FL	20	M223933WFL	20	M224241WFL	21	M224541SP	22
M183060	69	M191764	75, 79	M204001	214	M208860	224	M219400	215	M223433MFL	20	M223941SP	20	M224243FL	21	M224543FL	22
M183160	69, 93	M191765	75, 79	M204100	215	M208920	224	M219500	215	M223433SP	20	M223941WFL	20	M224243MFL	21	M224543SP	22
M183260	69, 93	M191810MFL	74, 78	M204101	215	M208960	224	M220000	231	M223441FL	20	M223943SP	20	M224243SP	21	M224561FL	22
M183305	66	M191810WFL	74, 78	M204200	214	M209020	224	M220100	231	M223441MFL	20	M223943WFL	20	M224243WFL	21	M224561SP	22
M183405	66	M191810WFL	74, 78	M204201	214	M209060	224	M220200	231	M223441SP	20	M223961SP	20	M224261FL	21	M224563FL	22
M183505	66	M191814MFL	75, 79	M204300	215	M209120	224	M220300	231	M223443FL	20	M223961WFL	20	M224261MFL	21	M224563SP	22
M183605	66	M191814WFL	75, 79	M204301	215	M209160	224	M220400	231	M223443MFL	20	M223963SP	20	M224261SP	21	M224611FL	22
M183705	66	M191814WFL	75, 79	M204400	214	M209220	224	M220500	231	M223443SP	20	M223963WFL	20	M224261WFL	21	M224611SP	22
M183805	66	M191815MFL	75, 79	M204500	214	M209260	224	M220600	231	M223461FL	20	M224011FL	20	M224263FL	21	M224613FL	22
M184020	391	M191815WFL	75, 79	M204600	215	M209320	224	M220700	231	M223461MFL	20	M224011MFL	20	M224263MFL	21	M224613SP	22
M184120	391	M191815WFL	75, 79	M204700	215	M209360	224	M220800	231	M223461SP	20	M224011SP	20	M224263SP	21	M224621FL	22
M184220	391	M191820MFL	74, 78	M204800	211	M209420	224	M221000	231	M223463FL	20	M224013FL	20	M224263WFL	21	M224621SP	22
M184320	391	M191820WFL	74, 78	M204900	211	M209460	224	M221100	231	M223463MFL	20	M224013MFL	20	M224311FL	21	M224623FL	22
M184420	391	M191820WFL	74, 78	M205020	213	M209520	224	M221300	231	M223463SP	20	M224013SP	20	M224311MFL	21	M224623SP	22
M184520	391	M191824MFL	75, 79	M205060	213	M209560	224	M221400	231	M223511FL	20	M224021FL	20	M224311SP	21	M224631FL	22
M184620	391	M191824WFL	75, 79	M205120	213	M209620	224	M221500	231	M223511MFL	20	M224021MFL	20	M224311WFL	21	M224631SP	22
M184720	391	M191824WFL	75, 79	M205160	213	M209660	224	M221600	231	M223511SP	20	M224021SP	20	M224313FL	21	M224633FL	22
M184800	391	M191825MFL	75, 79	M205220	223	M209720	224	M221700	231	M223513FL	20	M224023FL	20	M224313MFL	21	M224633SP	22
M184900	391	M191825WFL	75, 79	M205221	223	M209760	224	M221800	231	M223513MFL	20	M224023MFL	20	M224313SP	21	M224643FL	22
M185000	389	M191825WFL	75, 79	M205260	223	M209820	224	M221900	215, 231	M223513SP	20	M224023SP	20	M224313WFL	21	M224643SP	22
M185100	389	M191860MFL	74, 78	M205261	223	M209860	224	M222000	231	M223521FL	20	M224031FL	20	M224321FL	21	M224643FL	22
M185200	389	M191860WFL	74, 78	M205320	223	M209920	224	M222301	20	M223521MFL	20	M224031MFL	20	M224321MFL	21	M224643SP	22
M185300	389	M191860WFL	74, 78	M205321	223	M209960	224	M222302	20	M223521SP	20	M224031SP	20	M224321SP	21	M224661FL	22
M185400	389	M191864MFL	75, 79	M205360	223	M210020	224	M222303	20	M223523FL	20	M224033FL	20	M224321WFL	21	M224661SP	22
M185500	388	M191864WFL	75, 79	M205361	223	M210060	224	M222303	20	M223523MFL	20	M224033MFL	20	M224323FL	21	M224663FL	22
M185600	388	M191864WFL	75, 79	M205420	222	M210120	224	M222303	20	M223523SP	20	M224033SP	20	M224323MFL	21	M224663SP	22
M185900	388	M191865MFL	75, 79	M205421	222	M210160	224	M222304	20	M223531FL	20	M224041FL	20	M224323SP	21	M224711FL	22
M186000	388	M191865WFL	75, 79	M205460	222	M210220	229	M222304	20	M223531MFL	20	M224041MFL	20	M224323WFL	21	M224711MFL	22
M186100	389	M191865WFL	75, 79	M205461	222	M210260	229	M222306	20	M223531SP	20	M224041SP	20	M224331FL	21	M224711SP	22
M186200	389	M194320	247	M205520	222	M210320	229	M222306	20	M223533FL	20	M224043FL	20	M224331MFL	21	M224711WFL	22
M186300	389	M194360	247	M205521	222	M210360	229	M222311	20	M223533MFL	20	M224043MFL	20	M224331SP	21	M224713FL	22
M186400	389	M194500	247	M205560	222	M210420	229	M222313	20	M223533SP	20	M224043SP	20	M224331WFL	21	M224713MFL	22
M186500	389	M194620	246	M205561	222	M210460	229	M222311	20	M223541FL	20	M224061FL	20	M224333FL	21	M224713SP	22
M186600	388	M194660	246	M205620	222	M210520	229	M222312	20	M223541MFL	20	M224061MFL	20	M224333MFL	21	M224713WFL	22
M186800	217	M194700	247	M205621	222	M210560	229	M222313	20	M223541SP	20	M224061SP	20	M224333SP	21	M224721FL	22
M186900	217	M194800	247	M205660	222	M210620	229	M222313	20	M223543FL	20	M224063FL	20	M224333WFL	21	M224721MFL	22
M188100	217	M194900	247	M205661	222	M210660	229	M222314	20	M223543MFL	20	M224063MFL	20	M224341FL	21	M224721SP	22
M188200	217	M194960	211	M205720	222	M210720	229	M222314	20	M223543SP	20	M224063SP	20	M224341MFL	21	M224721WFL	22
M188500	217	M196720	213	M205721	222	M210760	229	M222316	20	M223561FL	20	M224111FL	20	M224341SP	21	M224723FL	22
M188600	217	M196760	213	M205760	222	M210820	229	M222316	20	M223561MFL	20	M224111MFL	20	M224341WFL	21	M224723MFL	22
M188820	213	M196820	213	M205761	222	M210860	229	M222315	20	M223561SP	20	M224111SP	20	M224343FL	21	M224723SP	22
M188860	213	M196860	213	M206320	213	M210920	229	M222315	20	M223563FL	20	M224113FL	20	M224343MFL	21	M224723WFL	22
M189000	213	M197300	211	M206360	213	M210960	229	M222313	20	M223563MFL	20	M224113MFL	20	M224343SP	21	M224731FL	22
M189100	213	M197400	217	M206820	223	M211070	74	M222313	20	M223563SP	20	M224113SP	20	M224343WFL	21	M224731MFL	22
M189200	213	M197500	217	M206821	223	M211270	74	M222321	20	M223611	20	M224121FL	20	M224361FL	21	M224731SP	22
M189300	213	M197600	217	M206860	223	M212760	74	M222321	20	M223613	20	M224121MFL	20	M224361MFL	21	M224731WFL	22
M190510	74, 78	M197700	217	M206861	223	M212810	74	M222323	20	M223621	20	M224121SP	20	M224361SP	21	M224733FL	22
M190520	74, 78	M197800	217	M206920	223	M212820	74	M222323	20	M223623	20	M224123FL	20	M224361WFL	21	M224733MFL	22
M190560	74, 78	M197900	218	M206921	223	M212860	74	M222323	20	M223631	20	M224123MFL	20	M224363FL	21	M224733SP	22
M190600	78	M198000	218	M206960	223	M212910	74	M222323	20	M223633	20	M224123SP	20	M224363MFL	21	M224733WFL	22
M191210	74	M198100	218	M206961	223	M212920	74	M222333	20	M223641	20	M224131FL	20	M224363SP	21	M224741FL	22
M191220	74	M198200	218	M207020	222	M212960	74	M222333	20	M223643	20	M224131MFL	20	M224363WFL	21	M224741MFL	22
M191260	74	M198300	218	M207021	222	M213010	74	M222341	20	M223661	20	M224131SP	20	M224411FL	21	M224741SP	2

CODE	PAGE	CODE	PAGE	CODE	PAGE	CODE	PAGE	CODE	PAGE	CODE	PAGE	CODE	PAGE	CODE	PAGE
M224823WFL	21	M225213	22	M225633WFL	23	M226113SP	22	M226961	238	M232160	247				
M224831FL	21	M225221	22	M225641MFL	23	M226121FL	22	M227020	238	M232220	247				
M224831MFL	21	M225223	22	M225641VWFL	23	M226121SP	22	M227021	238	M232260	247				
M224831SP	21	M225231	22	M225641WFL	23	M226123FL	22	M227060	238	M232320	247				
M224831WFL	21	M225233	22	M225643MFL	23	M226123SP	22	M227061	238	M232360	247				
M224833FL	21	M225241	22	M225643VWFL	23	M226131FL	22	M227120	238	M232400	246				
M224833MFL	21	M225243	22	M225643WFL	23	M226131SP	22	M227121	238	M232600	247				
M224833SP	21	M225261	22	M225661MFL	23	M226133FL	22	M227160	238	M232710	250				
M224833WFL	21	M225263	22	M225661VWFL	23	M226133SP	22	M227161	238	M233000	248				
M224841FL	21	M225311	23	M225661WFL	23	M226141FL	22	M227220	238	M233001	248				
M224841MFL	21	M225313	23	M225663MFL	23	M226141SP	22	M227221	238	M233100	248				
M224841SP	21	M225321	23	M225663VWFL	23	M226143FL	22	M227260	238	M233200	248				
M224841WFL	21	M225323	23	M225663WFL	23	M226143SP	22	M227261	238	M233300	248				
M224843FL	21	M225331	23	M225711FL	23	M226161FL	22	M227320	239	M233301	248				
M224843MFL	21	M225333	23	M225711MFL	23	M226161SP	22	M227360	239	M233400	248				
M224843SP	21	M225341	23	M225713FL	23	M226163FL	22	M227420	239	M233401	248				
M224843WFL	21	M225343	23	M225713MFL	23	M226163SP	22	M227460	239	M233500	248				
M224861FL	21	M225361	23	M225721FL	23	M226211FL	22	M227520	239	M233501	248				
M224861MFL	21	M225363	23	M225721MFL	23	M226211SP	22	M227560	239	M233600	249				
M224861SP	21	M225411MFL	23	M225723FL	23	M226213FL	22	M227620	239	M233700	249				
M224861WFL	21	M225411VWFL	23	M225723MFL	23	M226213SP	22	M227660	239	M233800	249				
M224863FL	21	M225411WFL	23	M225731FL	23	M226221FL	22	M227720	239	M233900	250				
M224863MFL	21	M225413MFL	23	M225731MFL	23	M226221SP	22	M227760	239	M234000	250				
M224863SP	21	M225413VWFL	23	M225733FL	23	M226223FL	22	M227820	239	M234100	250				
M224863WFL	21	M225413WFL	23	M225733MFL	23	M226223SP	22	M227860	239	M234200FL	250				
M224911FL	21	M225421MFL	23	M225741FL	23	M226231FL	22	M227920	239	M234200MFL	250				
M224911SP	21	M225421VWFL	23	M225741MFL	23	M226231SP	22	M227960	239	M234200SP	250				
M224911WFL	21	M225421WFL	23	M225743FL	23	M226233FL	22	M228020	239	M234300FL	250				
M224913FL	21	M225423MFL	23	M225743MFL	23	M226233SP	22	M228060	239	M234300MFL	250				
M224913SP	21	M225423VWFL	23	M225761FL	23	M226241FL	22	M228120	239	M234300SP	250				
M224913WFL	21	M225423WFL	23	M225761MFL	23	M226241SP	22	M228160	239	M234400	250				
M224921FL	21	M225431MFL	23	M225763FL	23	M226243FL	22	M228220	239	M234500	251				
M224921SP	21	M225431VWFL	23	M225763MFL	23	M226243SP	22	M228260	239	M234600	251				
M224921WFL	21	M225431WFL	23	M225811FL	23	M226261FL	22	M228320	239	M234700	251				
M224923FL	21	M225433MFL	23	M225811MFL	23	M226261SP	22	M228360	239	M234800	251				
M224923SP	21	M225433VWFL	23	M225813FL	23	M226263FL	22	M228420	239	M234900	251				
M224923WFL	21	M225433WFL	23	M225813MFL	23	M226263SP	22	M228460	239	M235000	251				
M224931FL	21	M225441MFL	23	M225821FL	23	M226311FL	22	M228520	240	M235100	251				
M224931SP	21	M225441VWFL	23	M225821MFL	23	M226311SP	22	M228521	240	M235200	251				
M224931WFL	21	M225441WFL	23	M225823FL	23	M226313FL	22	M228560	240	M235300	251				
M224933FL	21	M225443MFL	23	M225823MFL	23	M226313SP	22	M228561	240	M235400	251				
M224933SP	21	M225443VWFL	23	M225831FL	23	M226321FL	22	M228620	240	M235500	251				
M224933WFL	21	M225443WFL	23	M225831MFL	23	M226321SP	22	M228621	240	M238020	163				
M224941FL	21	M225461MFL	23	M225833FL	23	M226323FL	22	M228660	240	M238060	163				
M224941SP	21	M225461VWFL	23	M225833MFL	23	M226323SP	22	M228661	240	M238120	163				
M224941WFL	21	M225461WFL	23	M225841FL	23	M226331FL	22	M228720	240	M238160	163				
M224943FL	21	M225463MFL	23	M225841MFL	23	M226331SP	22	M228721	240	M238220	163				
M224943SP	21	M225463VWFL	23	M225843FL	23	M226333FL	22	M228760	240	M238260	163				
M224943WFL	21	M225463WFL	23	M225843MFL	23	M226333SP	22	M228761	240	M238320	163				
M224961FL	21	M225511MFL	23	M225861FL	23	M226341FL	22	M228820	240	M238360	163				
M224961SP	21	M225511VWFL	23	M225861MFL	23	M226341SP	22	M228821	240	M238400	163				
M224961WFL	21	M225511WFL	23	M225863FL	23	M226343FL	22	M228860	240	M238500	163				
M224963FL	21	M225513MFL	23	M225863MFL	23	M226343SP	22	M228861	240	M238600	163				
M224963SP	21	M225513VWFL	23	M225911FL	23	M226361FL	22	M228920	241	M238700	163				
M224963WFL	21	M225513WFL	23	M225911MFL	23	M226361SP	22	M228960	241	M238800	163				
M225011FL	22	M225521MFL	23	M225913FL	23	M226363FL	22	M229020	241	M238900	163				
M225011SP	22	M225521VWFL	23	M225913MFL	23	M226363SP	22	M229060	241	M239000	163				
M225013FL	22	M225521WFL	23	M225921FL	23	M226411FL	22	M229120	241	M239100	163				
M225013SP	22	M225523MFL	23	M225921MFL	23	M226411SP	22	M229160	241	M239200	163				
M225021FL	22	M225523VWFL	23	M225923FL	23	M226413FL	22	M229220	241	M240100	357				
M225021SP	22	M225523WFL	23	M225923MFL	23	M226413SP	22	M229260	241	M240101	357				
M225023FL	22	M225531MFL	23	M225931FL	23	M226421FL	22	M229320	241						
M225023SP	22	M225531VWFL	23	M225931MFL	23	M226421SP	22	M229360	241						
M225031FL	22	M225531WFL	23	M225933FL	23	M226423FL	22	M229420	241						
M225031SP	22	M225533MFL	23	M225933MFL	23	M226423SP	22	M229460	241						
M225033FL	22	M225533VWFL	23	M225941FL	23	M226431FL	22	M230000	246						
M225033SP	22	M225533WFL	23	M225941MFL	23	M226431SP	22	M230100	246						
M225041FL	22	M225541MFL	23	M225943FL	23	M226433FL	22	M230200	246						
M225041SP	22	M225541VWFL	23	M225943MFL	23	M226433SP	22	M230300	246						
M225043FL	22	M225541WFL	23	M225961FL	23	M226441FL	22	M230400	246						
M225043SP	22	M225543MFL	23	M225961MFL	23	M226441SP	22	M230500	246						
M225061FL	22	M225543VWFL	23	M225963FL	23	M226443FL	22	M230600	246						
M225061SP	22	M225543WFL	23	M225963MFL	23	M226443SP	22	M230700	246						
M225063FL	22	M225561MFL	23	M226011FL	23	M226461FL	22	M230800	246						
M225063SP	22	M225561VWFL	23	M226011MFL	23	M226461SP	22	M230900	246						
M225111FL	22	M225561WFL	23	M226013FL	23	M226463FL	22	M231000	246						
M225111SP	22	M225563MFL	23	M226013MFL	23	M226463SP	22	M231100	246						
M225113FL	22	M225563VWFL	23	M226021FL	23	M226520	238	M231220	247						
M225113SP	22	M225563WFL	23	M226021MFL	23	M226521	238	M231260	247						
M225121FL	22	M225611MFL	23	M226023FL	23	M226560	238	M231320	247						
M225121SP	22	M225611VWFL	23	M226023MFL	23	M226561	238	M231360	247						
M225123FL	22	M225611WFL	23	M226031FL	23	M226620	238	M231420	247						
M225123SP	22	M225613MFL	23	M226031MFL	23	M226621	238	M231460	247						
M225131FL	22	M225613VWFL	23	M226033FL	23	M226660	238	M231520	247						
M225131SP	22	M225613WFL	23	M226033MFL	23	M226661	238	M231560	247						
M225133FL	22	M225621MFL	23	M226041FL	23	M226720	238	M231620	247						
M225133SP	22	M225621VWFL	23	M226041MFL	23	M226721	238	M231660	247						
M225141FL	22	M225621WFL	23	M226043FL	23	M226760	238	M231720	247						
M225141SP	22	M225623MFL	23	M226043MFL	23	M226761	238	M231760	247						
M225143FL	22	M225623VWFL	23	M226061FL	23	M226820	238	M231820	247						
M225143SP	22	M225623WFL	23	M226061MFL	23	M226821	238	M231860	247						
M225161FL	22	M225631MFL	23	M226063FL	23	M226860	238	M231920	247					</	

## Headquarters

Artemide S.p.A.  
Via Bergamo, 18  
20010 Pregnana Milanese (MI), Italy  
Tel. (+39) 02/93518.1 - 93526.1  
Numero verde 800 834 093  
(from Italy only)  
info@artemide.com  
www.artemide.com

## Architectural division

Artemide Megalit S.A.S.  
Z.I. du Breuil  
18400 Saint Florent sur Cher, France  
Tel. (+33) 2/48 23 99 00  
artemide.megalit@artemide.fr

## Nord Light S.p.A.

SS. Aretina, 29/N, 50065 Sieci (FI), Italy  
Tel. (+39) 055/8309912  
info@nordlight.it  
www.nordlight.eu

## Argentina

Head office and Showroom:  
Edimetra S.A.  
Paraguay 792, 3rd floor  
1057 Buenos Aires  
Tel. (+54) 4312/4871  
info@artemide.com.ar

## Austria

Head office and Showroom:  
Artemide Handelsgesellschaft mbH  
Gonzagagasse 1 / Morzinplatz  
1010 Wien  
Tel. (+43) 01/803 21 82  
info@artemide.at

## Australia

Australian Head office  
and Adelaide Showroom:  
Ornare Imports Pty. Ltd.  
28 Fullarton Rd, Norwood SA 5067  
Tel. (+61) 08 8362 3029  
info@artemide.com.au  
www.artemide.com.au

## Office and Showrooms:

**Sydney**  
504-508 Cleveland St  
Surry Hills NSW 2010  
Tel. (+61) 02 9699 8472  
sydney@artemide.com.au

## Melbourne

46-48 Rayhdowne St  
Carlton VIC 3053  
Tel. (+61) 03 9349 3310  
melbourne@artemide.com.au

## Benelux (Belgium/Holland/Luxemburg)

Head office: Horas S.A.  
Beemdstraat 25  
1601 Ruisbroek, Belgium  
Tel. (+32) 02/334 84 50  
artemide\_benelux@artemide.com

## Showroom and Lighting Consultancy Centers: Brussels

Chaussée de Waterloo 410  
1050 Brussels - Belgium  
Tel. (+32) 02/534 03 67  
artemide.brussels@skynet.be

## Amsterdam

Hobbemakade 89, 1071 XR  
Amsterdam - Holland  
Tel. (+31) 20/4702668  
artemide.amsterdam@artemide.nl

## Canada

Head office: Artemide Ltée/Ltd.  
11105 rue Renaude Lapointe,  
Montréal, Québec H1J 2T4  
Tel. (+1) 514/323 6537  
Toll free (+1) 888 777 2783  
infocanada@artemide.net  
online store: www.artemide.net

## Showrooms:

**Montreal**  
440, rue Saint-Pierre  
Montréal, Québec H2Y 2M5  
Tel. (+1) 514/788 3788  
montreal@artemide.net

## Toronto

The Distillery Historic District  
5 Mill Street, Building 37, Suite 101  
Toronto, Ontario M5A 3R6  
Tel. (+1) 416/628 6718  
toronto@artemide.net

## China

Head office and Showroom:  
Artemide Trading  
(Shanghai) Co., Ltd.  
Level 15, Suite 1515  
One Corporate Avenue  
222 Hu Bin Road, Lu Wan District,  
200021 Shanghai  
Tel. (+86) 21/6122 3408  
info@artemide.cn

## Showrooms:

**Beijing**  
Unit 008/5F, No 5 International  
Furniture Hall of Easy Home  
65 North 4th Ring Road  
Chaoyang District Beijing  
Tel. (+86) 010/84637028

Unit 20/B1 NLG  
North Sanlitun Village  
11 Sanlitun Road  
Chaoyang District Beijing  
Tel. (+86) 010/64164995

Unit A5/B2Cofco Plaza C tower  
8 Jianguomen Neidajie  
Dongcheng District Beijing  
Tel. (+86) 010/65283850

## Shanghai

Unit A102-202, Wending Living  
Style Plaza, No. 258  
Wending Road Shanghai  
tel: (+86) 21 34601482

## France

Head Office and Showroom:  
Artemide France S.A.S.  
52, avenue Daumesnil, 75012 Paris  
Tél. (+33) 1/43 44 44 44  
artemide@artemide.fr

## Germany

### Head office and Showroom:

Artemide GmbH  
Hans-Böckler-Straße 2  
58730 Fröndenberg  
Tel. (+49) 02373/975.0  
info@artemide.de

### Showroom:

Frankfurt  
Baseler Straße 10, 60329 Frankfurt  
Tel. (+49) 069/3399 5690

## Great Britain

### Head office, Showroom and Lighting Consultancy Center:

Artemide GB Ltd.  
106 Great Russell Street  
London WC1B 3NB  
Tel. (+44) 020/7631 5200  
info@artemide.co.uk  
online store:  
www.artemidestore.co.uk

## Greece

### Head office and Showroom:

Artemide Hellas S.A.  
34, Solonos Str., 10 673 Athens  
Tel. (+30) 210/364 6770.4.5  
info@artemide.gr

### Showroom:

Thessaloniki  
92, G. Papandreou Str.  
54 665 Thessaloniki  
Tel. (+30) 2310/403 934.5

## Hong Kong

### Head office and Showroom:

Artemide Ltd.  
Shop 111 Ruttonjee Centre, 11  
Duddell Street, Central, Hong Kong  
Tel. (+852) 2523 0333 - 2882 6863  
info@artemide.com.hk

## India

### Head office:

Artemide Lighting India Pvt. Ltd.  
Unit no 5, 2nd floor  
Raghuvanshi Mansion  
Raghuvanshi Mills Compound  
Senapati Bapat Marg, lower parcel  
Maharashtra, Mumbai 400013  
Tel. (+91) 22/61774800  
info@artemide.in

## Italy

### Head office:

Artemide Italia S.r.l.  
Via Bergamo 18  
20010 Pregnana Milanese (MI)  
Tel. (+39) 02/93518.1 - 93526.1  
Numero Verde 800 834 093  
info@artemide.com

### Showrooms:

Milano  
Corso Monforte 19, 20122 Milano  
Tel. (+39) 02/76006930 - 794039  
monforte@artemide.com

Via Manzoni 12, 20121 Milano  
Tel. (+39) 02/778712201 - 78712202  
manzoni@artemide.com

### Roma

Via Margutta 107, 00187 Roma  
Tel. (+39) 06/36001802 - 36001808  
margutta@artemide.com

### Napoli

Via Gaetano Filangieri 16/C  
80121 Napoli  
Tel. (+39) 081/4207283  
filangieri@artemide.com

### Lighting Consultancy Centers:

Milano  
Via Manzoni 12, 20121 Milano  
Tel. (+39) 02/778712201 - 78712202  
manzoni@artemide.com

### Roma

Via Pisanelli 1, 00196 Roma  
Tel. (+39) 06/94537550  
pisanelli@artemide.com

## Japan

### Head office:

Artemide Japan K.K.  
1104 Showamachi 2-1-16 Kita Ku  
Tokyo 114-0011  
Tel. (+81) 03/5692 4677  
info@artemide.co.jp

## Mexico

### Head Office Showroom & Customer Service:

Scultura Luminosa  
Suderman # 246  
Col Chapultepec Morales  
Mexico D.F., 11570  
Tel (+55) 5250 2661  
info@artemide.mx

## Portugal

### Head office and Showroom:

Foton Iluminação Ltda  
Rua da Garagem 3  
2795-510 Carnaxide  
Tel. (+351) 21/416-90-70; 71; 72  
geral@foton.pt

## Russia

### Head office:

Artemide Agency OOO  
Bolshoj Zlatoustinskij Pereulok, Bldg  
1, office 100, 101000 Moscow  
Tel. (+7) 495/984 2238  
info@artemide-agency.ru

## Scandinavia

### Head office & Showroom:

Artemide Scandinavia A/S  
Strandvejen 66B  
2900 Hellerup, Denmark  
Tel. (+45) 7020 1700  
info@artemide.dk

## South Korea

### Head office and Showroom:

Duomo&Co., Ltd.  
Taeyang Bldg. 33-17, Nonhyun-dong  
Gangnam-gu Seoul Korea  
Tel. (+82) 02 516 7083  
info@duomokorea.com  
www.duomokorea.com

## Spain

### Head office: Artemide S.A.

C/Vico, 12-18, 08021 Barcelona  
Tel. (+34) 93/478 3911  
artemide@artemide.es

## Switzerland

### Head office and Showroom:

Artemide Illuminazione S.A.  
Bären-Gasse 16, 8001 Zürich  
Tel. (+41) 043/268 2727  
info@artemide.ch

## United Arab Emirates

### Representative Office:

Artemide Middle East-Dubai  
Office  
P.O. Box 18526 Dubai, LOB 16-204  
Jebel Ali Free Zone  
Tel. (+971) 4/887 2022  
artemide@eim.ae

## U.S.A.

### Headquarters, National Sales and Customer Service Center:

Artemide, Inc.  
1980 New Highway  
Farmingdale, NY 11735  
Tel. (+1) 631/694 9292  
infousa@artemide.net  
online store: www.artemide.net

### Showrooms:

Chicago, IL  
223 West Erie Street 1S  
Chicago, IL 60654  
Tel. (+1) 312 475 0100  
chicago@artemide.net

### Dallas, TX

Dallas Design District, 1617 Hi Line  
Drive, Suite 470, Dallas, TX 75207  
Tel. (+1) 214 747 8344  
dallas@artemide.net

### Los Angeles, CA

9006 Beverly Blvd.  
West Hollywood, CA 90048  
Tel. (+1) 310 888 4099  
losangeles@artemide.net

### Miami, FL (until spring 2012)

277 Giralda Ave.  
Coral Gables, FL 33134  
Tel. (+1) 305 444 5800  
miami@artemide.net

### Miami FL (as of spring 2012)

222 Ponce de Leon Boulevard  
Coral Gables, FL 33134  
Tel. (+1) 305 444 5800  
miami@artemide.net

### New York, NY

46 Greene Street  
New York, NY 10013  
Tel. (+1) 212 925 1588  
newyork@artemide.net

### Philadelphia, PA

232 North 2nd Street  
Philadelphia, PA 19106  
Tel. (+1) 215 733 9877  
philadelphia@artemide.net

### San Francisco, CA

855 Montgomery Street  
San Francisco, CA 94133  
Tel. (+1) 415 393 9955  
sanfrancisco@artemide.net

### Affiliated Showrooms:

#### Atlanta, GA

Illuminations  
1011 Monroe Dr.  
Atlanta, GA 30306  
Tel. (+1) 404 881 6567  
atlanta@artemide.net

#### San Diego, CA

Urban Lighting  
301 4th Avenue  
San Diego, CA 92101  
Tel. (+1) 619 232 6072  
sandiego@artemide.net

#### Seattle, WA

Light Matters  
905 Western Avenue  
Seattle, WA 98104  
Tel. (+1) 206 382 9667  
seattle@artemide.net

#### St. Louis, MO

Centro  
4727 McPherson Avenue  
St. Louis, MO 63108  
Tel. (+1) 314 361 0107  
stlouis@artemide.net

#### Washington D.C.

Illuminations  
415 8th Street NW  
Washington, D.C. 20004  
Tel. (+1) 202 783 0133  
washingtondc@artemide.net

Graphic design:

**FRAIOLE**

Photos:

Jean Pierre Maurer

Manuel Maurer

Alan Cadzow

A.Rubio & Asociados

Beppe Raso

Betty Colombo

Daniel Hopkinson

David Sievers

Gio Pini

H.Ternisien

Hopermann Fotodesign

©Juanjo Fernández 2011

Kim Yong Kwan

Linus Lintner

Luca Capuano

Martin Guggisberg

Martine Hamilton Knight

Masami Satoh

Michael Moran

Miro Zagnoli

Naim Chidiac

©Ken Wan, ARC

©Nic Lehoux

©ORCH\_Orsenigo

Pikarts, Pierre Kamin

Roland Halbe

Santi Caleca

Saverio Lombardi Vallauri

Sebastiano Pellion di Persano

Stefano Pedretti

Toshio Kaneko

Thouas Periklis

Udo Kowalski

Print:

Geca S.p.A. Industrie Grafiche, April 2012

Photolyto:

ABC S.r.l., Milano

© Artemide S.p.A.





[www.artemide.com](http://www.artemide.com)